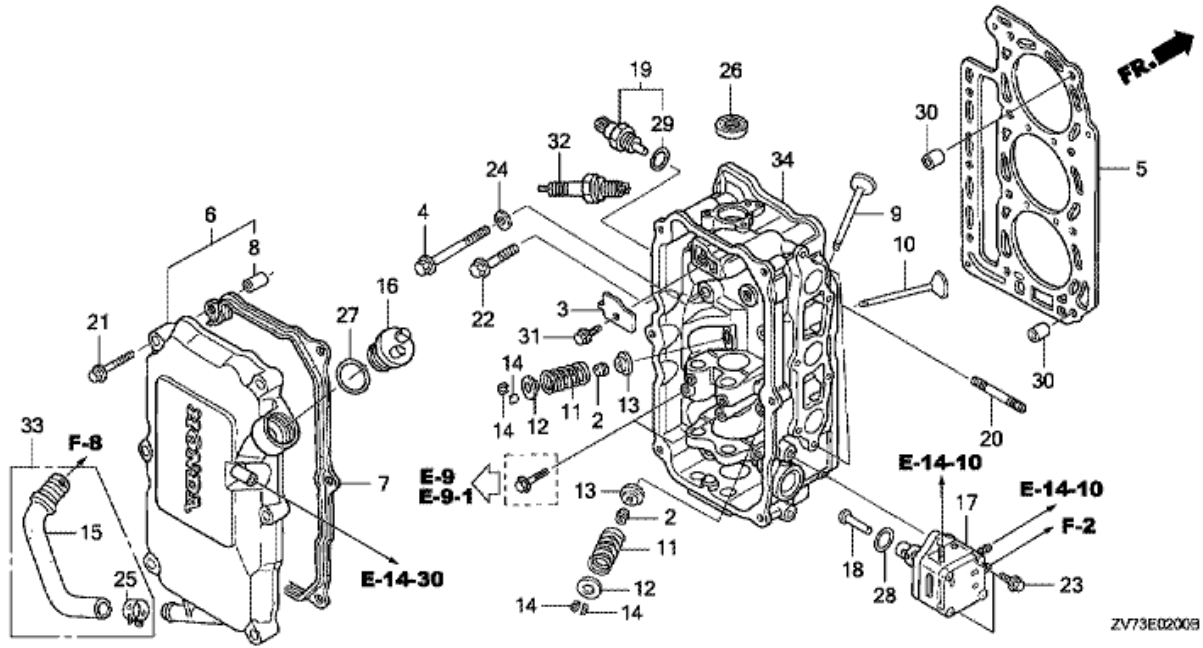


BF25D4 (ZV7S2 43;13ZV70E1,extZV7S2 43;13ZV70E1,ZV7S2 33;13ZV70E1,extZV7S2 33;13ZV70E1,ZV7S2 G9;13ZV70E1,extZV7S2 G9;13ZV70E1,ZV7S2 H9;13ZV70E1,extZV7S2 H9;13ZV70E1,ZV7S2 G8;13ZV70E1,extZV7S2 G8;13ZV70E1,ZV7S2 H8;13ZV70E1,extZV7S2 H8;13ZV70E1,ZV7S2 13;13ZV70E1,extZV7S2 13;13ZV70E1,ZV7S2 12;13ZV70E1,extZV7S2 12;13ZV70E1)

E-2 CYLINDER HEAD



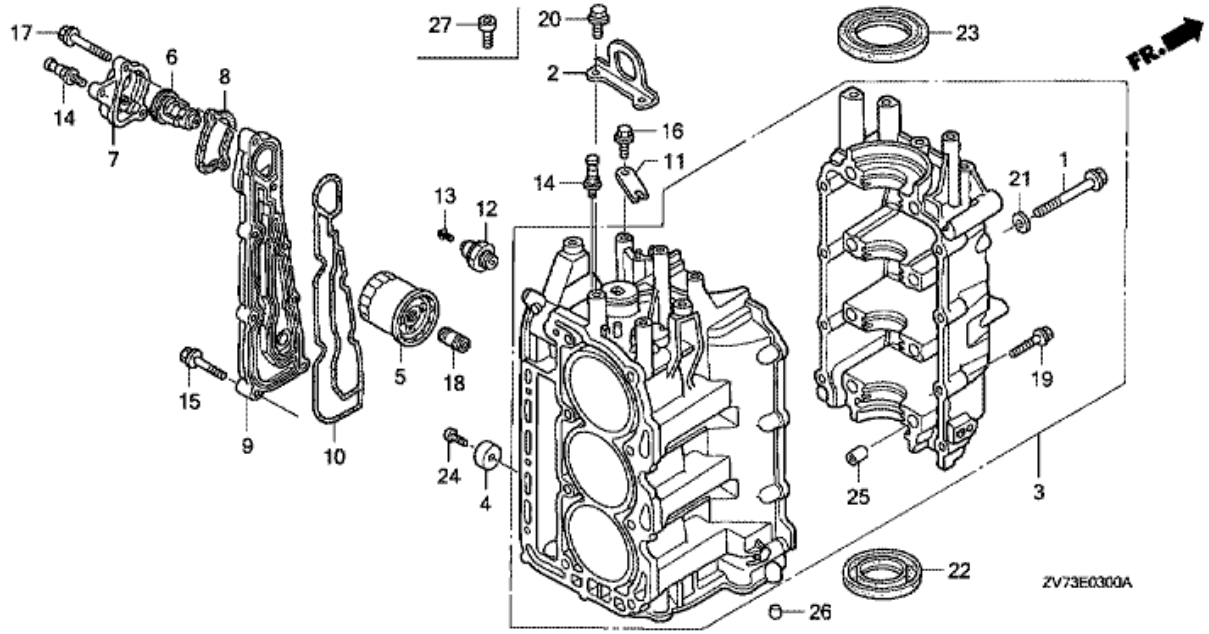
| Refnr | Parça Numarası | Açıklama | İlk numara | Son numara | Birim Adedi | Tipler |
|-------|----------------|----------------------------|------------|------------|-------------|--|
| 2 | 12209GB4682 | SEAL, VALVE STEM (ARAI) | | | 006 | SHD, LHD, LRTD, LHGD, SRTU, LRTU, SHGU, LHGU |
| 3 | 12212ZV7000 | PLATE, OIL CHAMBER | | | 001 | SHD, LHD, LRTD, LHGD, SRTU, LRTU, SHGU, LHGU |
| 4 | 12228ZV7000 | BOLT, FLANGE, 8X80 | | | 008 | SHD, LHD, LRTD, LHGD, SRTU, LRTU, SHGU, LHGU |
| 5 | 12251ZW2F02 | GASKET, CYLINDER HEAD | | | 001 | SHD, LHD, LRTD, LHGD, SRTU, LRTU, SHGU, LHGU |
| 6 | 12310ZV7000 | COVER COMP., CYLINDER HEAD | | 1001103 | 001 | SHD, LHD, LRTD, LHGD |
| 6 | 12310ZV7010 | COVER COMP., CYLINDER HEAD | 1001054 | | 001 | SHD, LHD, LRTD, LHGD, SRTU, LRTU, SHGU, LHGU |
| 6 | 12310ZV7020 | COVER COMP., CYLINDER HEAD | 1009179 | | 001 | SHD, LHD, LRTD, LHGD, SRTU, LRTU, SHGU, LHGU |
| 7 | 12312ZV7010 | PACKING, HEAD COVER | | | 001 | SHD, LHD, LRTD, LHGD, SRTU, LRTU, SHGU, LHGU |
| 8 | 12314ZV5300 | COLLAR, HEAD COVER | | | 006 | SHD, LHD, LRTD, LHGD, SRTU, LRTU, SHGU, LHGU |
| 9 | 14711ZW2F00 | VALVE, IN. | | | 003 | SHD, LHD, LRTD, LHGD, SRTU, LRTU, SHGU, LHGU |
| 10 | 14721ZW2F00 | VALVE, EX. | | | 003 | SHD, LHD, LRTD, LHGD, SRTU, LRTU, SHGU, LHGU |

| | | | | | | |
|----|-------------|---------------------------------|---------|---------|-----|--|
| | | | | | | SHGU, LHGU |
| 11 | 14751ZV4000 | SPRING, VALVE | | 1005352 | 006 | SHD, LHD, LRTD, LHGD |
| 11 | 14751ZW2F00 | SPRING, VALVE | 1003326 | | 006 | SHD, LHD, LRTD, LHGD, SRTU, LRTU, SHGU, LHGU |
| 12 | 14765P08000 | RETAINER, VALVE SPRING | | | 006 | SHD, LHD, LRTD, LHGD, SRTU, LRTU, SHGU, LHGU |
| 13 | 14775028010 | SEAT, VALVE SPRING | | 1003363 | 006 | SHD, LHD, LRTD, LHGD |
| 13 | 14775ZW2F00 | SEAT, VALVE SPRING | | | 006 | SHD, LHD, LRTD, LHGD, SRTU, LRTU, SHGU, LHGU |
| 14 | 14781MA6000 | COTTER, VALVE | | | 012 | SHD, LHD, LRTD, LHGD, SRTU, LRTU, SHGU, LHGU |
| 15 | 15422ZV7010 | TUBE, OIL | 1005777 | | 001 | LRTD, LHGD, SRTU, LRTU, SHGU, LHGU |
| 16 | 15611ZV4000 | CAP, OIL | | | 001 | SHD, LHD, LRTD, LHGD, SRTU, LRTU, SHGU, LHGU |
| 17 | 16700ZW1004 | PUMP ASSY., FUEL | | | 001 | SHD, LHD, LRTD, LHGD, SRTU, LRTU, SHGU, LHGU |
| 18 | 16716ZV5000 | LIFTER, FUEL PUMP | | | 001 | LRTD, LHGD, SRTU, LRTU, SHGU, LHGU |
| 19 | 35673ZW5003 | SENSOR ASSY., WATER TEMPERATURE | | | 001 | SHD, LHD, LRTD, LHGD, SRTU, LRTU, SHGU, LHGU |
| 20 | 90006ZV5010 | BOLT, STUD, 6X28 | | | 002 | SHD, LHD, LRTD, LHGD, SRTU, LRTU, SHGU, LHGU |
| 21 | 90019ZW9000 | BOLT, FLANGE, 6X35 | 1005498 | | 006 | SHD, LHD, LRTD, LHGD, SRTU, LRTU, SHGU, LHGU |
| 21 | 90144ZW4000 | BOLT, FLANGE, 6X35 | | 1005497 | 006 | SHD, LHD, LRTD, LHGD |
| 22 | 90155ZW4000 | BOLT, FLANGE, 8X40 | | | 003 | SHD, LHD, LRTD, LHGD, SRTU, LRTU, SHGU, LHGU |
| 23 | 90168ZW4000 | BOLT, FLANGE, (SH) 6X20 | | | 002 | SHD, LHD, LRTD, LHGD, SRTU, LRTU, SHGU, LHGU |
| 24 | 90405ZV5010 | WASHER, PLAIN, 8MM | | | 008 | SHD, LHD, LRTD, LHGD, SRTU, LRTU, SHGU, LHGU |
| 25 | 90601ZV3030 | CLAMP, TUBE (D17) | 1010602 | | 001 | LRTD, LHGD, SRTU, LRTU, SHGU, LHGU |
| 26 | 91202KJ9003 | OIL SEAL, 20X32X6 | | | 001 | SHD, LHD, LRTD, LHGD, SRTU, LRTU, SHGU, LHGU |
| 27 | 91301805000 | O-RING, 26X2.7 | | | 001 | SHD, LHD, LRTD, LHGD, SRTU, LRTU, SHGU, LHGU |
| 28 | 91306921000 | O-RING, 20.8X2.4 | | | 001 | SHD, LHD, LRTD, LHGD, SRTU, LRTU, |

| | | | | | | |
|----|---------------|--------------------------------|--|---------|-----|---|
| | | | | | | SHGU, LHGU |
| 29 | 91307PK2005 | O-RING, 9.5X1.5 (HONDA KIKAKI) | | | 001 | SHD, LHD, LRTD, LHGD, SRTU, LRTU, SHGU, LHGU |
| 30 | 9430110120 | DOWEL PIN, 10X12 | | | 002 | SHD, LHD, LRTD, LHGD, SRTU, LRTU, SHGU, LHGU |
| 31 | 957010601209 | BOLT, FLANGE, 6X12 | | | 001 | SHD, LHD, LRTD, LHGD, SRTU, LRTU, SHGU, LHGU |
| 32 | 980695771P | PLUG, SPARK (DR7EA) (NGK) | | | 003 | SHD, LHD, LRTD, LHGD, SRTU, LRTU, SHGU, LHGU |
| 32 | 9806957726 | PLUG, SPARK (X22ESR-U) (DENSO) | | | 003 | SHD, LHD, LRTD, LHGD, SRTU, LRTU, SHGU, LHGU |
| 33 | 06154ZV7000 | TUBE SET, OIL | | 1010601 | 001 | SHD, LHD, LRTD, LHGD, SRTU, LRTU, SHGU, LHGU |
| 34 | 12210ZW2415ZA | HEAD COMP., CYLINDER *NH8* | | | 001 | LRTD, LHGD, SRTU, LRTU, SHGU, LHGU |
| 34 | 12210ZW2416ZA | HEAD COMP., CYLINDER *NH8* | | | 001 | SHD, LHD |

BF25D4 (ZV7S2 43;13ZV70E1,extZV7S2 43;13ZV70E1,ZV7S2 33;13ZV70E1,extZV7S2 33;13ZV70E1,ZV7S2 G9;13ZV70E1,extZV7S2 G9;13ZV70E1,ZV7S2 H9;13ZV70E1,extZV7S2 H9;13ZV70E1,ZV7S2 G8;13ZV70E1,extZV7S2 G8;13ZV70E1,ZV7S2 H8;13ZV70E1,extZV7S2 H8;13ZV70E1,ZV7S2 13;13ZV70E1,extZV7S2 13;13ZV70E1,ZV7S2 12;13ZV70E1,extZV7S2 12;13ZV70E1)

E-3 CYLINDER BLOCK



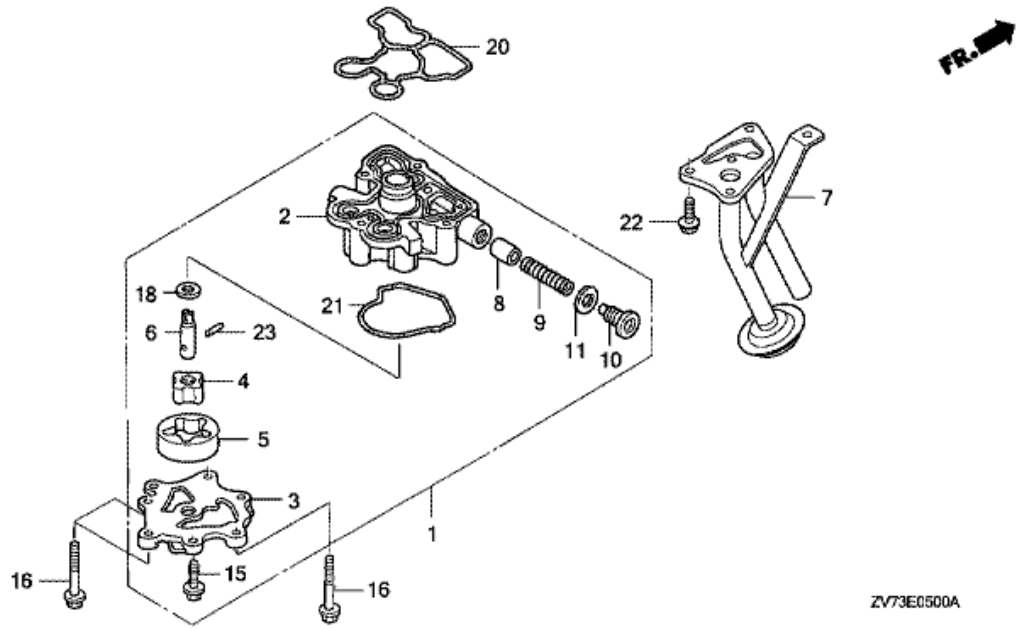
| Refnr | Parça Numarası | Acıklama | İlk numara | Son numara | Birim Adedi | Tipler |
|-------|----------------|-----------------------------------|------------|------------|-------------|--|
| 1 | 11115ZV7010 | BOLT, FLANGE, 8X85 | | | 008 | SHD, LHD, LRTD, LHGD, SRTU, LRTU, SHGU, LHGU |
| 2 | 11911ZV7010 | HANGER, ENGINE | | | 001 | SHD, LHD, LRTD, LHGD, SRTU, LRTU, SHGU, LHGU |
| 2 | 11911ZV7020 | HANGER, ENGINE | 1009179 | | 001 | SHD, LHD, LRTD, LHGD, SRTU, LRTU, SHGU, LHGU |
| 3 | 12000ZW2405ZA | BLOCK ASSY., CYLINDER *NH8 * | | 1004064 | 001 | SHD, LHD, LRTD, LHGD, SRTU, LRTU, SHGU, LHGU |
| 3 | 12000ZW2415ZA | BLOCK ASSY., CYLINDER *NH8 * | 1010386 | | 001 | LRTD, LHGD, SRTU, LRTU, SHGU, LHGU |
| 4 | 12155ZV5000 | METAL, ANODE | | | 001 | SHD, LHD, LRTD, LHGD, SRTU, LRTU, SHGU, LHGU |
| 5 | 15400PFB004 | CARTRIDGE, OIL FILTER (TOYO ROKI) | 1005017 | 1005497 | 001 | SHD, LHD, LRTD, LHGD |
| 5 | 15400PFB007 | CARTRIDGE, OIL FILTER (DENSO) | | 1005016 | 001 | SHD, LHD, LRTD, LHGD |
| 5 | 15400PFB014 | CARTRIDGE, OIL FILTER (TOYO ROKI) | | | 001 | SHD, LHD, LRTD, LHGD, SRTU, LRTU, SHGU, LHGU |
| 6 | 19300ZW9003 | THERMOSTAT ASSY. | | | 001 | SHD, LHD, LRTD, LHGD, SRTU, LRTU, SHGU, LHGU |
| 7 | 19315ZV5010 | COVER, THERMOSTAT | 1008451 | | 001 | SHD, LHD, LRTD, LHGD, SRTU, LRTU, SHGU, LHGU |
| 7 | 19315ZV5010ZA | COVER, THERMOSTAT *NH8 * | | 1004791 | 001 | SHD, LHD, LRTD, LHGD, |

| | | | | | | |
|----|---------------|------------------------------------|--|--|-----|--|
| | | | | | | SRTU, LRTU, SHGU, LHGU |
| 8 | 19351ZV5000 | GASKET, THERMOSTAT COVER | | | 001 | SHD, LHD, LRTD, LHGD, SRTU, LRTU, SHGU, LHGU |
| 9 | 19361ZV7000ZA | COVER, WATER JACKET *NH8 * | | | 001 | SHD, LHD, LRTD, LHGD, SRTU, LRTU, SHGU, LHGU |
| 10 | 19371ZV7000 | PACKING, WATER JACKET COVER | | | 001 | SHD, LHD, LRTD, LHGD, SRTU, LRTU, SHGU, LHGU |
| 11 | 24626ZV5010 | PLATE, SHIFT SHAFT | | | 001 | SHD, LHD, LRTD, LHGD, SRTU, LRTU, SHGU, LHGU |
| 12 | 35490ZW2F01 | SWITCH ASSY., OIL PRESSURE | | | 001 | SHD, LHD, LRTD, LHGD, SRTU, LRTU, SHGU, LHGU |
| 13 | 90002ZW2F01 | SCREW-WASHER, 4X8 | | | 001 | SHD, LHD, LRTD, LHGD, SRTU, LRTU, SHGU, LHGU |
| 14 | 90012ZV5013 | BOLT, TIMING BELT ADJUSTING SPRING | | | 002 | SHD, LHD, LRTD, LHGD, SRTU, LRTU, SHGU, LHGU |
| 15 | 90012ZW9000 | BOLT, FLANGE, 6X22 (CT200) | | | 006 | SHD, LHD, LRTD, LHGD, SRTU, LRTU, SHGU, LHGU |
| 16 | 90013ZV0010 | BOLT, FLANGE, 6X12 | | | 001 | SHD, LHD, LRTD, LHGD, SRTU, LRTU, SHGU, LHGU |
| 17 | 90014ZV7010 | BOLT, FLANGE, 6X35 | | | 002 | SHD, LHD, LRTD, LHGD, SRTU, LRTU, SHGU, LHGU |
| 18 | 90018PN3000 | HOLDER, OIL FILTER | | | 001 | SHD, LHD, LRTD, LHGD, SRTU, LRTU, SHGU, LHGU |
| 19 | 90145ZW4000 | BOLT, FLANGE, 6X40 | | | 008 | SHD, LHD, LRTD, LHGD, SRTU, LRTU, SHGU, LHGU |
| 20 | 90150ZW4000 | BOLT, FLANGE, 8X18 | | | 002 | SHD, LHD, LRTD, LHGD, SRTU, LRTU, SHGU, LHGU |
| 21 | 90405ZV5010 | WASHER, PLAIN, 8MM | | | 008 | SHD, LHD, LRTD, LHGD, SRTU, LRTU, SHGU, LHGU |
| 22 | 91201ZE3004 | OIL SEAL, 35X52X8 | | | 001 | SHD, LHD, LRTD, LHGD, SRTU, LRTU, SHGU, LHGU |
| 23 | 91262SL4005 | OIL SEAL, 44.5X60.5X8 (NOK) | | | 001 | SHD, LHD, LRTD, LHGD, SRTU, LRTU, SHGU, LHGU |
| 24 | 93500060184J | SCREW, PAN, 6X18 | | | 001 | SHD, LHD, LRTD, LHGD, SRTU, LRTU, SHGU, LHGU |
| 25 | 9430110120 | DOWEL PIN, 10X12 | | | 008 | SHD, LHD, LRTD, LHGD, SRTU, LRTU, SHGU, LHGU |
| 26 | 9430306100 | DOWEL PIN, 6X10 | | | 002 | SHD, LHD, LRTD, LHGD, |

| | | | | | | |
|----|-------------|--------------------|---------|--|-----|---|
| | | | | | | SRTU, LRTU, SHGU, LHGU |
| 27 | 90001ZW2000 | BOLT, SOCKET, 8X18 | 1009179 | | 002 | SHD, LHD, LRTD, LHGD, SRTU, LRTU, SHGU, LHGU |

BF25D4 (ZV7S2 43;13ZV70E1,extZV7S2 43;13ZV70E1,ZV7S2 33;13ZV70E1,extZV7S2 33;13ZV70E1,ZV7S2 G9;13ZV70E1,extZV7S2 G9;13ZV70E1,ZV7S2 H9;13ZV70E1,extZV7S2 H9;13ZV70E1,ZV7S2 G8;13ZV70E1,extZV7S2 G8;13ZV70E1,ZV7S2 H8;13ZV70E1,extZV7S2 H8;13ZV70E1,ZV7S2 13;13ZV70E1,extZV7S2 13;13ZV70E1,ZV7S2 12;13ZV70E1,extZV7S2 12;13ZV70E1)

E-5 OIL PUMP

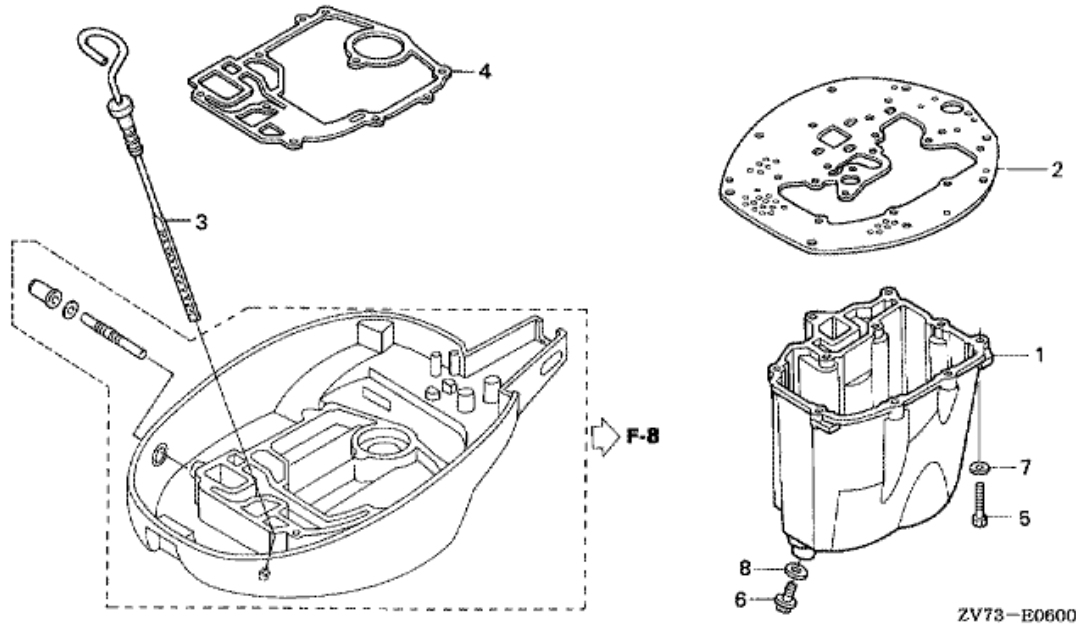


| Refnr | Parça Numarası | Açıklama | İlk numara | Son numara | Birim Adedi | Tipler |
|-------|----------------|-----------------------|------------|------------|-------------|--|
| 1 | 15100ZV7000 | PUMP ASSY., OIL | | | 001 | SHD, LHD, LRTD, LHGD, SRTU, LRTU, SHGU, LHGU |
| 2 | 15111ZV7000 | BODY, OIL PUMP | | | 001 | SHD, LHD, LRTD, LHGD, SRTU, LRTU, SHGU, LHGU |
| 3 | 15121ZV7000 | COVER, OIL PUMP | | | 001 | SHD, LHD, LRTD, LHGD, SRTU, LRTU, SHGU, LHGU |
| 4 | 15131ME2000 | ROTOR, INNER OIL PUMP | | | 001 | SHD, LHD, LRTD, LHGD, SRTU, LRTU, SHGU, LHGU |
| 5 | 15133ME2000 | ROTOR, OUTER OIL PUMP | | | 001 | SHD, LHD, LRTD, LHGD, SRTU, LRTU, SHGU, LHGU |
| 6 | 15136ZV7000 | SHAFT, OIL PUMP | | | 001 | SHD, LHD, LRTD, LHGD, SRTU, LRTU, SHGU, LHGU |
| 7 | 15220ZV7000 | STRAINER COMP., OIL | | | 001 | SHD, LHD, LRTD, LHGD, SRTU, LRTU, SHGU, LHGU |
| 8 | 15231413020 | VALVE, RELIEF | | | 001 | SHD, LHD, LRTD, LHGD, SRTU, LRTU, SHGU, LHGU |
| 9 | 15232KT8000 | SPRING, RELIEF VALVE | | | 001 | SHD, LHD, LRTD, LHGD, SRTU, LRTU, SHGU, LHGU |
| 10 | 15236ZV5010 | BOLT, SEALING, 14MM | | | 001 | SHD, LHD, LRTD, LHGD, SRTU, LRTU, SHGU, LHGU |
| 11 | 15302PE0300 | WASHER, SEALING, 14MM | | | 001 | SHD, LHD, |

| | | | | | | |
|----|--------------|----------------------------|---------|--|-----|---|
| | | | | | | LRTD, LHGD, SRTU, LRTU, SHGU, LHGU |
| 15 | 90017ZV0C10 | BOLT, FLANGE, 6X18 (CT200) | | | 003 | SHD, LHD, LRTD, LHGD, SRTU, LRTU, SHGU, LHGU |
| 16 | 90020ZW5000 | BOLT, FLANGE, 6X45 | | | 004 | SHD, LHD, LRTD, LHGD, SRTU, LRTU, SHGU, LHGU |
| 18 | 90456333000 | WASHER, THRUST, 11MM | | | 001 | SHD, LHD, LRTD, LHGD, SRTU, LRTU, SHGU, LHGU |
| 20 | 91301ZV7000 | O-RING, PUMP COVER | | | 001 | SHD, LHD, LRTD, LHGD, SRTU, LRTU, SHGU, LHGU |
| 20 | 91301ZV7010 | O-RING, PUMP COVER | 1007196 | | 001 | LRTD, LHGD, SRTU, LRTU, SHGU, LHGU |
| 21 | 91302ZV7000 | O-RING, PUMP COVER | | | 001 | SHD, LHD, LRTD, LHGD, SRTU, LRTU, SHGU, LHGU |
| 22 | 957010601609 | BOLT, FLANGE, 6X16 | | | 005 | SHD, LHD, LRTD, LHGD, SRTU, LRTU, SHGU, LHGU |
| 23 | 9622040158 | ROLLER, 4X15.8 | | | 001 | SHD, LHD, LRTD, LHGD, SRTU, LRTU, SHGU, LHGU |

BF25D4 (ZV7S2 43;13ZV70E1,extZV7S2 43;13ZV70E1,ZV7S2 33;13ZV70E1,extZV7S2 33;13ZV70E1,ZV7S2 G9;13ZV70E1,extZV7S2 G9;13ZV70E1,ZV7S2 H9;13ZV70E1,extZV7S2 H9;13ZV70E1,ZV7S2 G8;13ZV70E1,extZV7S2 G8;13ZV70E1,ZV7S2 H8;13ZV70E1,extZV7S2 H8;13ZV70E1,ZV7S2 13;13ZV70E1,extZV7S2 13;13ZV70E1,ZV7S2 12;13ZV70E1,extZV7S2 12;13ZV70E1)

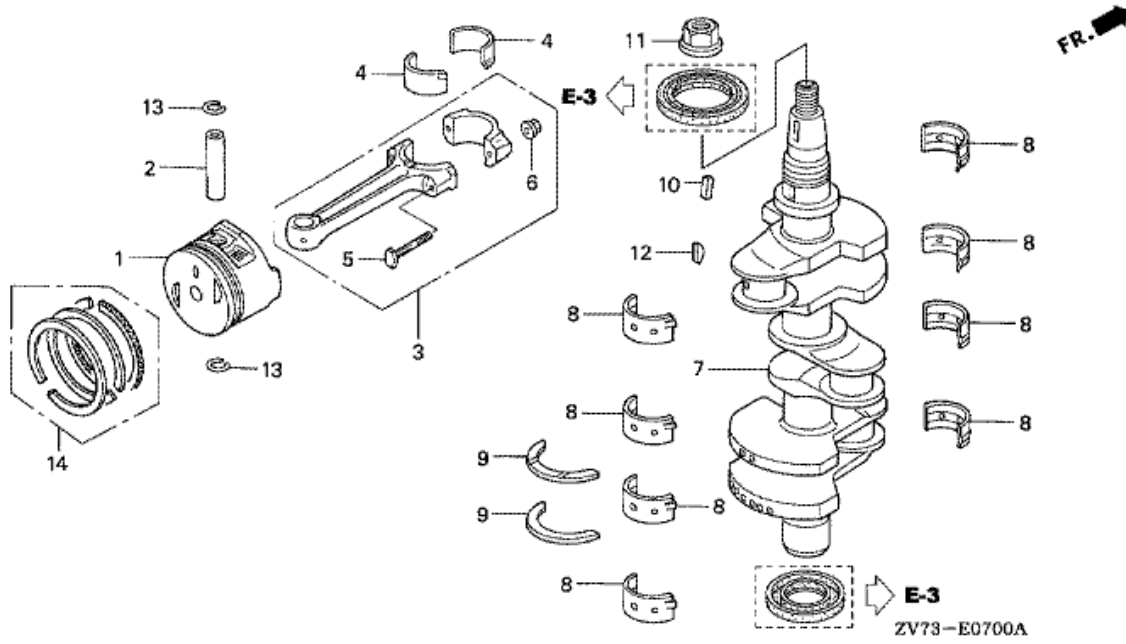
E-6 OIL PAN



| Refnr | Parça Numarası | Açıklama | İlk numara | Son numara | Birim Adedi | Tipler |
|-------|----------------|---------------------------|------------|------------|-------------|--|
| 1 | 11311ZV7010ZA | PAN, OIL *TGRAY * | | 1005404 | 001 | SHD, LHD, LRTD, LHGD, SRTU, LRTU, SHGU, LHGU |
| 1 | 11311ZV7020ZA | PAN, OIL *TGRAY * | 1009688 | 1013872 | 001 | SHD, LHD, LRTD, LHGD, SRTU, LRTU, SHGU, LHGU |
| 1 | 11311ZV7030ZA | PAN, OIL *TGRAY* | 1013873 | | 001 | LRTD, LHGD, SRTU, LRTU, SHGU, LHGU |
| 2 | 11381ZV7010 | PACKING, OIL PAN | | | 001 | SHD, LHD, LRTD, LHGD, SRTU, LRTU, SHGU, LHGU |
| 2 | 11381ZV7020 | PACKING, OIL PAN | 1014498 | | 001 | LRTD, LHGD, SRTU, LRTU, SHGU, LHGU |
| 3 | 15650ZV7000 | GAUGE COMP., OIL LEVEL | | | 001 | SHD, LHD, LRTD, LHGD, SRTU, LRTU, SHGU, LHGU |
| 4 | 23162ZV7010 | GASKET, ENGINE UNDER CASE | | | 001 | SHD, LHD, LRTD, LHGD, SRTU, LRTU, SHGU, LHGU |
| 5 | 90113ZV5000 | BOLT, HEX., 6X25 | | | 010 | SHD, LHD, LRTD, LHGD, SRTU, LRTU, SHGU, LHGU |
| 6 | 90131ZV5000 | BOLT, DRAIN PLUG | | | 001 | SHD, LHD, LRTD, LHGD, SRTU, LRTU, SHGU, LHGU |
| 7 | 90506ZV4000 | WASHER, PLAIN, 6MM | | | 010 | SHD, LHD, LRTD, LHGD, SRTU, LRTU, SHGU, LHGU |
| 8 | 90601ZE2000 | WASHER, DRAIN PLUG, 12MM | | | 001 | SHD, LHD, LRTD, LHGD, SRTU, LRTU, |

BF25D4 (ZV7S2 43;13ZV70E1,extZV7S2 43;13ZV70E1,ZV7S2 33;13ZV70E1,extZV7S2 33;13ZV70E1,ZV7S2 G9;13ZV70E1,extZV7S2 G9;13ZV70E1,ZV7S2 H9;13ZV70E1,extZV7S2 H9;13ZV70E1,ZV7S2 G8;13ZV70E1,extZV7S2 G8;13ZV70E1,ZV7S2 H8;13ZV70E1,extZV7S2 H8;13ZV70E1,ZV7S2 13;13ZV70E1,extZV7S2 13;13ZV70E1,ZV7S2 12;13ZV70E1,extZV7S2 12;13ZV70E1)

E-7 CRANKSHAFT/PISTON

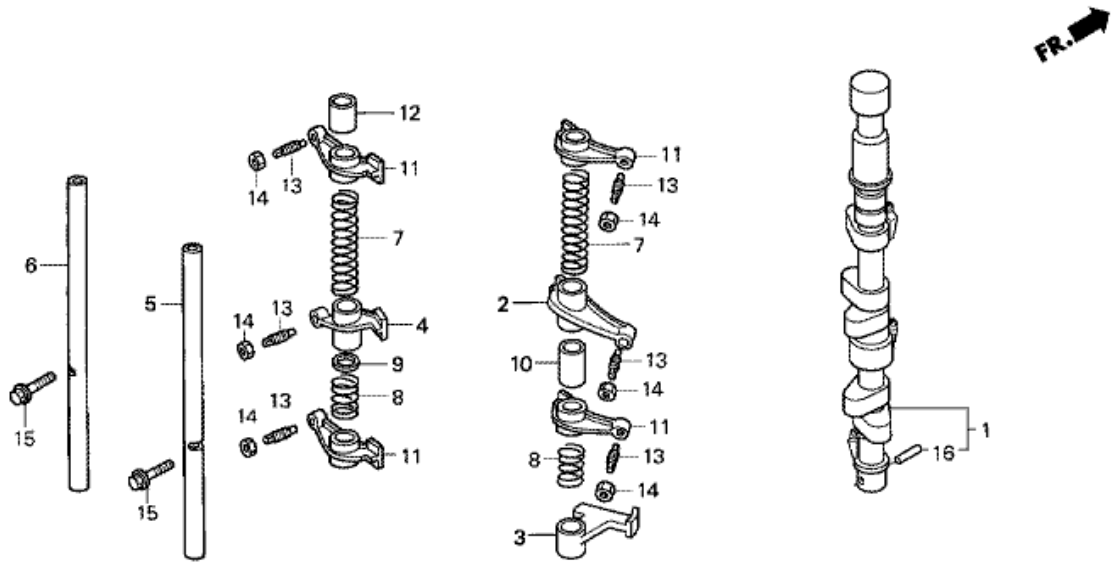


| Refnr | Parça Numarası | Acıklama | İlk numara | Son numara | Birim Adedi | Tipler |
|-------|----------------|------------------------------------|------------|------------|-------------|--|
| 1 | 13101ZW2F00 | PISTON | | | 003 | SHD, LHD, LRTD, LHGD, SRTU, LRTU, SHGU, LHGU |
| 2 | 13111ZW2F00 | PIN, PISTON | | | 003 | SHD, LHD, LRTD, LHGD, SRTU, LRTU, SHGU, LHGU |
| 3 | 13210ZW2F00 | ROD SET, CONNECTING | | | 003 | SHD, LHD, LRTD, LHGD, SRTU, LRTU, SHGU, LHGU |
| 4 | 13211ZW2F01 | BEARING A, CONNECTING ROD (BROWN) | | | 006 | SHD, LHD, LRTD, LHGD, SRTU, LRTU, SHGU, LHGU |
| 4 | 13212ZW2F01 | BEARING B, CONNECTING ROD (GREEN) | | | 006 | SHD, LHD, LRTD, LHGD, SRTU, LRTU, SHGU, LHGU |
| 4 | 13213ZW2F01 | BEARING C, CONNECTING ROD (YELLOW) | | | 006 | SHD, LHD, LRTD, LHGD, SRTU, LRTU, SHGU, LHGU |
| 4 | 13214ZW2F01 | BEARING D, CONNECTING ROD (PINK) | | | 006 | SHD, LHD, LRTD, LHGD, SRTU, LRTU, SHGU, LHGU |
| 4 | 13215ZW2F01 | BEARING E, CONNECTING ROD (RED) | | | 006 | SHD, LHD, LRTD, LHGD, SRTU, LRTU, SHGU, LHGU |
| 5 | 13213KV0000 | BOLT, CONNECTING ROD | | | 006 | SHD, LHD, LRTD, LHGD, SRTU, LRTU, SHGU, LHGU |
| 6 | 13215KM3000 | NUT, CONNECTING ROD | | | 006 | SHD, LHD, LRTD, LHGD, SRTU, LRTU, SHGU, LHGU |
| 7 | 13310ZW2F00 | CRANKSHAFT COMP. | | | 001 | SHD, LHD, |

| | | | | | | |
|----|-------------|---------------------------------|---------|---------|-----|---|
| | | | | | | LRTD, LHGD, SRTU, LRTU, SHGU, LHGU |
| 8 | 13315MJ0010 | BEARING A, MAIN (17MM) (GREEN) | | | 008 | SHD, LHD, LRTD, LHGD, SRTU, LRTU, SHGU, LHGU |
| 8 | 13316MJ0010 | BEARING B, MAIN (17MM) (YELLOW) | | | 008 | SHD, LHD, LRTD, LHGD, SRTU, LRTU, SHGU, LHGU |
| 8 | 13317MJ0010 | BEARING C, MAIN (17MM) (PINK) | | | 008 | SHD, LHD, LRTD, LHGD, SRTU, LRTU, SHGU, LHGU |
| 8 | 13318MJ0000 | BEARING D, MAIN (17MM) (RED) | | | 008 | SHD, LHD, LRTD, LHGD, SRTU, LRTU, SHGU, LHGU |
| 9 | 13331ZV7003 | WASHER, THRUST | | 1004612 | 002 | SHD, LHD, LRTD, LHGD |
| 9 | 13331ZW2F01 | WASHER, THRUST | 1004613 | | 002 | SHD, LHD, LRTD, LHGD, SRTU, LRTU, SHGU, LHGU |
| 10 | 13331357000 | KEY, SPECIAL WOODRUFF, 25X18 | | | 001 | SHD, LHD, LRTD, LHGD, SRTU, LRTU, SHGU, LHGU |
| 11 | 90201ZW2F00 | NUT, SPECIAL, 18MM | | 1013619 | 001 | SHD, LHD, LRTD, LHGD, SRTU, LRTU, SHGU, LHGU |
| 11 | 90201ZW2F01 | NUT, SPECIAL, 18MM | 1006734 | | 001 | LRTD, LHGD, SRTU, LRTU, SHGU, LHGU |
| 12 | 90741ZV4000 | KEY, SPECIAL, 16X15 | | | 001 | SHD, LHD, LRTD, LHGD, SRTU, LRTU, SHGU, LHGU |
| 13 | 9460116000 | CLIP, PISTON PIN, 16MM | | | 006 | SHD, LHD, LRTD, LHGD, SRTU, LRTU, SHGU, LHGU |
| 14 | 13010ZW2F00 | RING SET, PISTON (STD.) | | | 003 | SHD, LHD, LRTD, LHGD, SRTU, LRTU, SHGU, LHGU |

BF25D4 (ZV7S2 43;13ZV70E1,extZV7S2 43;13ZV70E1,ZV7S2 33;13ZV70E1,extZV7S2 33;13ZV70E1,ZV7S2 G9;13ZV70E1,extZV7S2 G9;13ZV70E1,ZV7S2 H9;13ZV70E1,extZV7S2 H9;13ZV70E1,ZV7S2 G8;13ZV70E1,extZV7S2 G8;13ZV70E1,ZV7S2 H8;13ZV70E1,extZV7S2 H8;13ZV70E1,ZV7S2 13;13ZV70E1,extZV7S2 13;13ZV70E1,ZV7S2 12;13ZV70E1,extZV7S2 12;13ZV70E1)

E-9 CAMSHAFT (1)

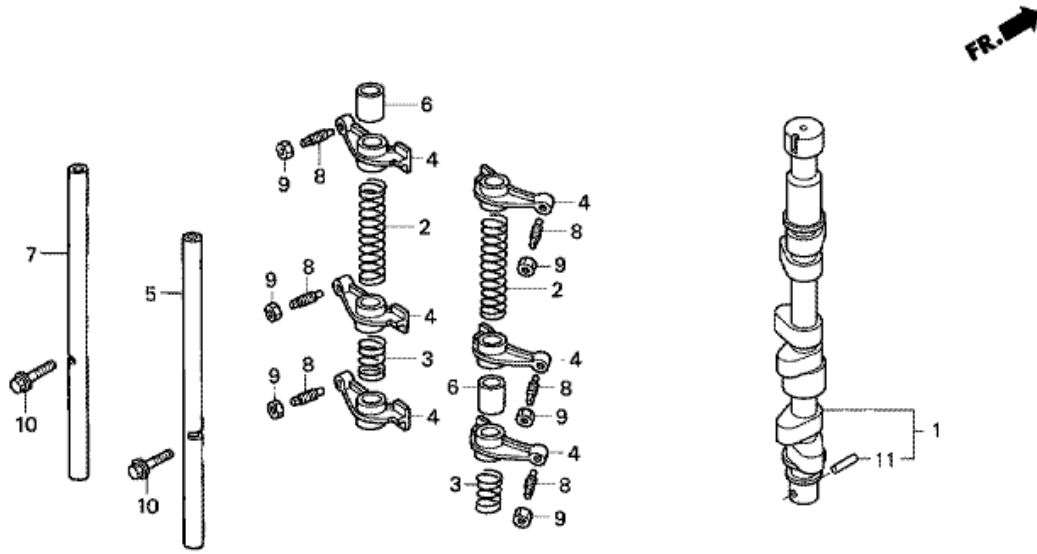


ZV73-E0900

| Refnr | Parça Numarası | Açıklama | İlk numara | Son numara | Birim Adedi | Tipler |
|-------|----------------|-------------------------|------------|------------|-------------|----------|
| 1 | 14110ZV7F30 | CAMSHAFT COMP. | | | 001 | SHD, LHD |
| 2 | 14431ZW2F00 | ARM, IN. VALVE ROCKER | | | 001 | SHD, LHD |
| 3 | 14436ZW2F00 | ARM, FUEL PUMP ROCKER | | | 001 | SHD, LHD |
| 4 | 14441ZW2F00 | ARM, EX. VALVE ROCKER | | | 001 | SHD, LHD |
| 5 | 14461ZW2F30 | SHAFT, IN. ROCKER ARM | | | 001 | SHD, LHD |
| 6 | 14471ZW2F30 | SHAFT, EX. ROCKER ARM | | | 001 | SHD, LHD |
| 7 | 14481ZW2F30 | SPRING, ROCKER ARM (C) | | | 002 | SHD, LHD |
| 8 | 14482ZV7000 | SPRING, ROCKER ARM (B) | | | 002 | SHD, LHD |
| 9 | 14482ZW2F30 | COLLAR, ROCKER ARM (A) | | | 001 | SHD, LHD |
| 10 | 14483ZW2F30 | COLLAR, ROCKER ARM (B) | | | 001 | SHD, LHD |
| 11 | 14621ZV7000 | ARM, VALVE ROCKER | | | 004 | SHD, LHD |
| 12 | 14636ZV7000 | COLLAR, ROCKER | | | 001 | SHD, LHD |
| 13 | 90012333000 | SCREW, TAPPET ADJUSTING | | | 006 | SHD, LHD |
| 14 | 90206001000 | NUT, TAPPET ADJUSTING | | | 006 | SHD, LHD |
| 15 | 958010602809 | BOLT, FLANGE, 6X28 | | | 002 | SHD, LHD |
| 16 | 9622030168 | ROLLER, 3X16.8 | | | 001 | SHD, LHD |

BF25D4 (ZV7S2 43;13ZV70E1,extZV7S2 43;13ZV70E1,ZV7S2 33;13ZV70E1,extZV7S2 33;13ZV70E1,ZV7S2 G9;13ZV70E1,extZV7S2 G9;13ZV70E1,ZV7S2 H9;13ZV70E1,extZV7S2 H9;13ZV70E1,ZV7S2 G8;13ZV70E1,extZV7S2 G8;13ZV70E1,ZV7S2 H8;13ZV70E1,extZV7S2 H8;13ZV70E1,ZV7S2 13;13ZV70E1,extZV7S2 13;13ZV70E1,ZV7S2 12;13ZV70E1,extZV7S2 12;13ZV70E1)

E-9-1 CAMSHAFT (2)

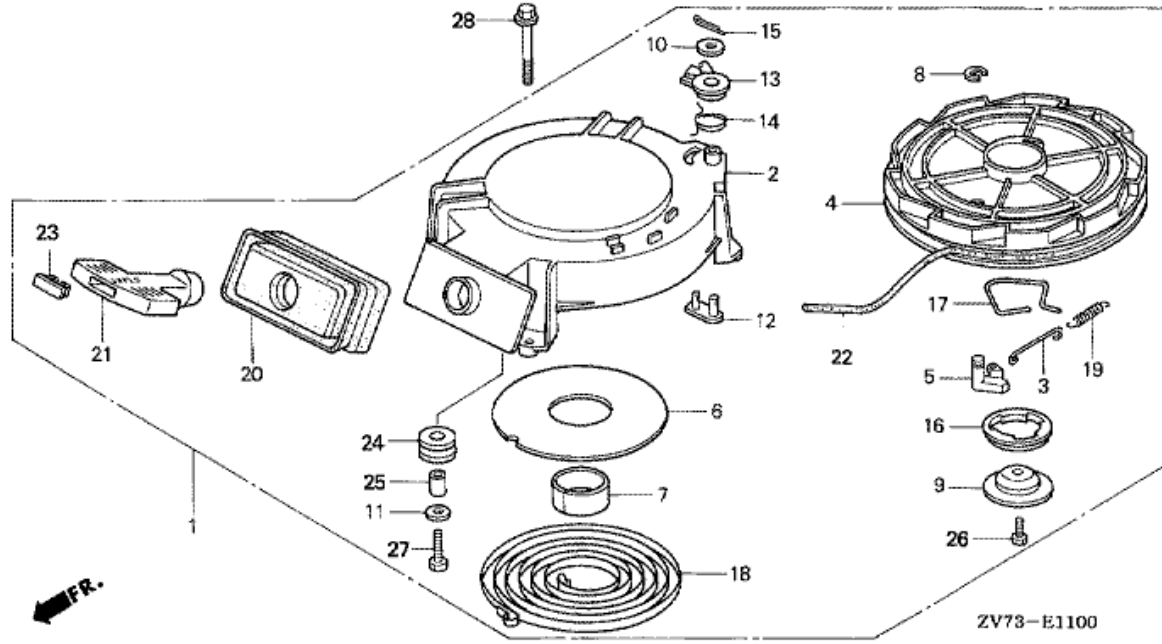


ZV73-E0901

| Refnr | Parça Numarası | Açıklama | İlk numara | Son numara | Birim Adedi | Tipler |
|-------|----------------|-------------------------|------------|------------|-------------|------------------------------------|
| 1 | 14110ZV7F00 | CAMSHAFT COMP. | | | 001 | LRTD, LHGD, SRTU, LRTU, SHGU, LHGU |
| 2 | 14481ZV7000 | SPRING, ROCKER ARM (A) | | | 002 | LRTD, LHGD, SRTU, LRTU, SHGU, LHGU |
| 3 | 14482ZV7000 | SPRING, ROCKER ARM (B) | | | 002 | LRTD, LHGD, SRTU, LRTU, SHGU, LHGU |
| 4 | 14621ZV7000 | ARM, VALVE ROCKER | | | 006 | LRTD, LHGD, SRTU, LRTU, SHGU, LHGU |
| 5 | 14631ZV7000 | SHAFT, IN. ROCKER ARM | | | 001 | LRTD, LHGD, SRTU, LRTU, SHGU, LHGU |
| 6 | 14636ZV7000 | COLLAR, ROCKER | | | 002 | LRTD, LHGD, SRTU, LRTU, SHGU, LHGU |
| 7 | 14641ZV7000 | SHAFT, EX. ROCKER ARM | | | 001 | LRTD, LHGD, SRTU, LRTU, SHGU, LHGU |
| 8 | 90012333000 | SCREW, TAPPET ADJUSTING | | | 006 | LRTD, LHGD, SRTU, LRTU, SHGU, LHGU |
| 9 | 90206001000 | NUT, TAPPET ADJUSTING | | | 006 | LRTD, LHGD, SRTU, LRTU, SHGU, LHGU |
| 10 | 958010602809 | BOLT, FLANGE, 6X28 | | | 002 | LRTD, LHGD, SRTU, LRTU, SHGU, LHGU |
| 11 | 9622030168 | ROLLER, 3X16.8 | | | 001 | LRTD, LHGD, SRTU, LRTU, SHGU, LHGU |

BF25D4 (ZV7S2 43;13ZV70E1,extZV7S2 43;13ZV70E1,ZV7S2 33;13ZV70E1,extZV7S2 33;13ZV70E1,ZV7S2 G9;13ZV70E1,extZV7S2 G9;13ZV70E1,ZV7S2 H9;13ZV70E1,extZV7S2 H9;13ZV70E1,ZV7S2 G8;13ZV70E1,extZV7S2 G8;13ZV70E1,ZV7S2 H8;13ZV70E1,extZV7S2 H8;13ZV70E1,ZV7S2 13;13ZV70E1,extZV7S2 13;13ZV70E1,ZV7S2 12;13ZV70E1,extZV7S2 12;13ZV70E1)

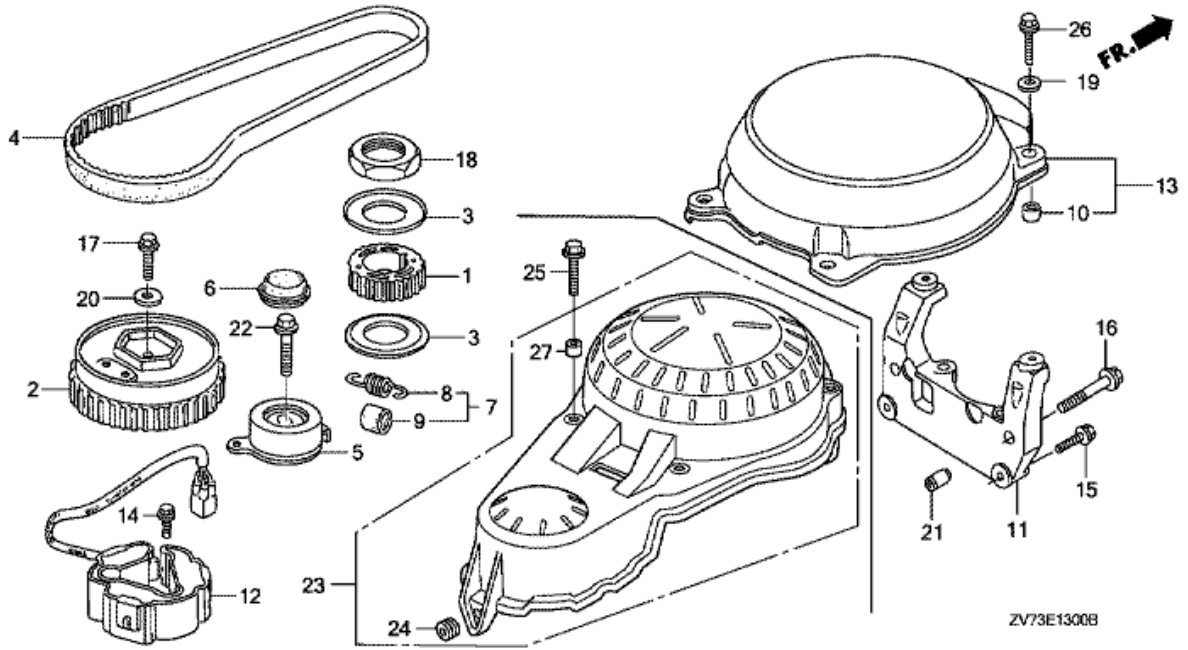
E-11 RECOIL STARTER



| Refnr | Parça Numarası | Açıklama | İlk numara | Son numara | Birim Adedi | Tipler |
|-------|----------------|------------------------|------------|------------|-------------|----------|
| 1 | 28400ZV7013 | STARTER ASSY., RECOIL | | | 001 | SHD, LHD |
| 2 | 28401ZV7003 | CASE, RECOIL STARTER | | | 001 | SHD, LHD |
| 3 | 28418ZV7003 | GUIDE, RECOIL STARTER | | | 001 | SHD, LHD |
| 4 | 28421ZV7003 | PULLEY, RECOIL STARTER | | | 001 | SHD, LHD |
| 5 | 28422ZV7003 | RATCHET, STARTER | | | 001 | SHD, LHD |
| 6 | 28424ZV7003 | PLATE | | | 001 | SHD, LHD |
| 7 | 28427ZV7003 | BUSH | | | 001 | SHD, LHD |
| 8 | 28428ZV7003 | E-RING | | | 001 | SHD, LHD |
| 9 | 28431ZV7003 | PLATE, FRICTION | | | 001 | SHD, LHD |
| 10 | 28432ZV4003 | WASHER | | | 001 | SHD, LHD |
| 11 | 28433ZV7003 | WASHER, THRUST | | | 001 | SHD, LHD |
| 12 | 28435ZV4003 | STOPPER, REEL | | | 001 | SHD, LHD |
| 13 | 28436ZV4003 | ARM, STOPPER | | | 001 | SHD, LHD |
| 14 | 28437ZV4003 | SPRING, STOPPER | | | 001 | SHD, LHD |
| 15 | 28438ZV4003 | PIN, SPLIT | | | 001 | SHD, LHD |
| 16 | 28439ZV7003 | SPACER | | | 001 | SHD, LHD |
| 17 | 28441ZV7003 | SPRING, FRICTION | | | 001 | SHD, LHD |
| 18 | 28442ZV7003 | SPRING, RECOIL STARTER | | | 001 | SHD, LHD |
| 19 | 28443ZV7003 | SPRING, RETURN | | | 001 | SHD, LHD |
| 20 | 28455ZV4000 | SEAL, RECOIL | | | 001 | SHD, LHD |
| 21 | 28461ZV4003 | GRIP, STARTER | | | 001 | SHD, LHD |
| 22 | 28462ZV7003 | ROPE, RECOIL STARTER | | | 001 | SHD, LHD |
| 23 | 28466ZW9003 | CAP, STARTER KNOB | | | 001 | SHD, LHD |
| 24 | 28471ZV7003 | ROLLER, STARTER | | | 001 | SHD, LHD |
| 25 | 28476ZV7003 | GUIDE, ROLLER | | | 001 | SHD, LHD |
| 26 | 90021ZV7003 | BOLT, 6X20 | | | 001 | SHD, LHD |
| 27 | 90022ZV4003 | BOLT, HEX., 6X14 | | | 001 | SHD, LHD |
| 28 | 90025ZY3000 | BOLT, FLANGE, 6X22 | | 1005770 | 004 | SHD, LHD |
| 28 | 90030ZY3000 | BOLT, FLANGE, 6X22 | 1005771 | | 004 | SHD, LHD |

BF25D4 (ZV7S2 43;13ZV70E1,extZV7S2 43;13ZV70E1,ZV7S2 33;13ZV70E1,extZV7S2 33;13ZV70E1,ZV7S2 G9;13ZV70E1,extZV7S2 G9;13ZV70E1,ZV7S2 H9;13ZV70E1,extZV7S2 H9;13ZV70E1,ZV7S2 G8;13ZV70E1,extZV7S2 G8;13ZV70E1,ZV7S2 H8;13ZV70E1,extZV7S2 H8;13ZV70E1,ZV7S2 13;13ZV70E1,extZV7S2 13;13ZV70E1,ZV7S2 12;13ZV70E1,extZV7S2 12;13ZV70E1)

E-13 TIMING BELT

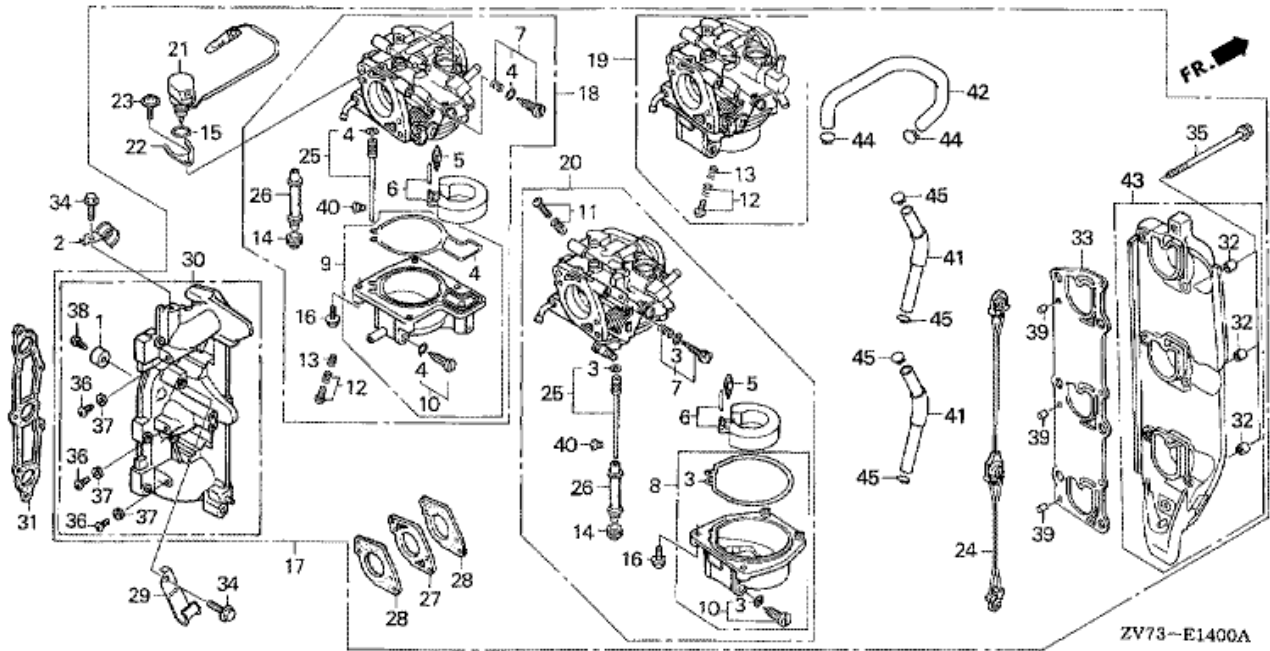


| Refnr | Parça Numarası | Açıklama | İlk numara | Son numara | Birim Adedi | Tipler |
|-------|----------------|-------------------------------------|------------|------------|-------------|--|
| 1 | 14315ZV7000 | PULLEY, TIMING | | | 001 | SHD, LHD, LRTD, LHGD, SRTU, LRTU, SHGU, LHGU |
| 2 | 14320ZW2F00 | PULLEY COMP., CAMSHAFT | | | 001 | SHD, LHD, LRTD, LHGD, SRTU, LRTU, SHGU, LHGU |
| 3 | 14323ZV7000 | PLATE, TIMING BELT GUIDE | | | 002 | SHD, LHD, LRTD, LHGD, SRTU, LRTU, SHGU, LHGU |
| 4 | 14400ZV7014 | BELT, TIMING | | | 001 | SHD, LHD, LRTD, LHGD, SRTU, LRTU, SHGU, LHGU |
| 5 | 14510ZV5003 | TENSIONER COMP., TIMING BELT | | | 001 | SHD, LHD, LRTD, LHGD, SRTU, LRTU, SHGU, LHGU |
| 6 | 14515ZV5000 | CAP, TIMING BELT TENSIONER | | | 001 | SHD, LHD, LRTD, LHGD, SRTU, LRTU, SHGU, LHGU |
| 7 | 14520ZV7010 | SPRING COMP., TIMING BELT ADJUSTING | | | 001 | SHD, LHD, LRTD, LHGD, SRTU, LRTU, SHGU, LHGU |
| 8 | 14521ZV7010 | SPRING, TIMING BELT ADJUSTING | | | 001 | SHD, LHD, LRTD, LHGD, SRTU, LRTU, SHGU, LHGU |
| 9 | 14522ZV5000 | BOOT, SPRING | | | 001 | SHD, LHD, LRTD, LHGD, SRTU, LRTU, SHGU, LHGU |
| 10 | 17202ZV5310 | COLLAR, DISTANCE, 6.5X11X7.5 | | 1009178 | 004 | LRTD, LHGD, SRTU, LRTU, SHGU, LHGU |
| 11 | 28491ZV7000 | BRACKET, RECOIL | | | 001 | SHD, LHD |
| 11 | 28491ZV7750 | BRACKET, RECOIL | | | 001 | LRTD, LHGD, |

| | | | | | | |
|----|--------------|-----------------------|---------|---------|-----|---|
| | | | | | | SRTU, LRTU, SHGU, LHGU |
| 12 | 30310ZW2F01 | COIL ASSY., PULSER | | | 001 | SHD, LHD, LRTD, LHGD, SRTU, LRTU, SHGU, LHGU |
| 13 | 31145ZV7750 | COVER, FLYWHEEL | | 1005153 | 001 | LRTD, LHGD, SRTU, LRTU, SHGU, LHGU |
| 14 | 90013ZV0010 | BOLT, FLANGE, 6X12 | | | 003 | SHD, LHD, LRTD, LHGD, SRTU, LRTU, SHGU, LHGU |
| 15 | 90025ZY3000 | BOLT, FLANGE, 6X22 | | 1005770 | 002 | SHD, LHD, LRTD, LHGD |
| 15 | 90030ZY3000 | BOLT, FLANGE, 6X22 | 1003638 | | 002 | SHD, LHD, LRTD, LHGD, SRTU, LRTU, SHGU, LHGU |
| 16 | 90126881010 | BOLT, FLANGE, 8X45 | | 1005497 | 002 | SHD, LHD, LRTD, LHGD |
| 16 | 90126ZW4000 | BOLT, FLANGE, 8X45 | 1003440 | | 002 | SHD, LHD, LRTD, LHGD, SRTU, LRTU, SHGU, LHGU |
| 17 | 90151ZW4000 | BOLT, FLANGE, 8X25 | | | 001 | SHD, LHD, LRTD, LHGD, SRTU, LRTU, SHGU, LHGU |
| 18 | 90202ZV7000 | NUT, LOCK, 34MM | | | 001 | SHD, LHD, LRTD, LHGD, SRTU, LRTU, SHGU, LHGU |
| 19 | 90403ZW6000 | WASHER, 6.5X18 | | 1009178 | 004 | LRTD, LHGD, SRTU, LRTU, SHGU, LHGU |
| 20 | 90405ZV5010 | WASHER, PLAIN, 8MM | | | 001 | SHD, LHD, LRTD, LHGD, SRTU, LRTU, SHGU, LHGU |
| 21 | 9430110160 | DOWEL PIN, 10X16 | | | 002 | SHD, LHD, LRTD, LHGD, SRTU, LRTU, SHGU, LHGU |
| 22 | 957011003808 | BOLT, FLANGE, 10X38 | | | 001 | SHD, LHD, LRTD, LHGD, SRTU, LRTU, SHGU, LHGU |
| 23 | 31145ZW2000 | COVER COMP., FLYWHEEL | 1005154 | | 001 | LRTD, LHGD, SRTU, LRTU, SHGU, LHGU |
| 24 | 50142437970 | GROMMET, SIDE COVER | 1009179 | | 001 | LRTD, LHGD, SRTU, LRTU, SHGU, LHGU |
| 25 | 90003ZW9000 | BOLT, FLANGE, 6X22 | 1005154 | | 004 | LRTD, LHGD, SRTU, LRTU, SHGU, LHGU |
| 26 | 90025ZY3000 | BOLT, FLANGE, 6X22 | | 1005770 | 004 | LRTD, LHGD |
| 26 | 90030ZY3000 | BOLT, FLANGE, 6X22 | 1005771 | 1009178 | 004 | LRTD, LHGD, SRTU, LRTU, SHGU, LHGU |
| 27 | 91503ZY1300 | COLLAR, 6.5X11X10 | | | 004 | LRTD, LHGD, SRTU, LRTU, SHGU, LHGU |

BF25D4 (ZV7S2 43;13ZV70E1,extZV7S2 43;13ZV70E1,ZV7S2 33;13ZV70E1,extZV7S2 33;13ZV70E1,ZV7S2 G9;13ZV70E1,extZV7S2 G9;13ZV70E1,ZV7S2 H9;13ZV70E1,extZV7S2 H9;13ZV70E1,ZV7S2 G8;13ZV70E1,extZV7S2 G8;13ZV70E1,ZV7S2 H8;13ZV70E1,extZV7S2 H8;13ZV70E1,ZV7S2 13;13ZV70E1,extZV7S2 13;13ZV70E1,ZV7S2 12;13ZV70E1,extZV7S2 12;13ZV70E1)

E-14 CARBURETOR ASSY.



| Refnr | Parça Numarası | Açıklama | İlk numara | Son numara | Birim Adedi | Tipler |
|-------|----------------|--------------------|------------|------------|-------------|--|
| 1 | 12155ZV5000 | METAL, ANODE | | | 001 | SHD, LHD, LRTD, LHGD, SRTU, LRTU, SHGU, LHGU |
| 2 | 12328ZV5010 | CLAMP, TUBE | | | 001 | SHD, LHD, LRTD, LHGD, SRTU, LRTU, SHGU, LHGU |
| 3 | 16010ZV4005 | GASKET SET | | | 002 | SHD, LHD, LRTD, LHGD, SRTU, LRTU, SHGU, LHGU |
| 4 | 16010ZW4H01 | GASKET SET | | | 001 | SHD, LHD, LRTD, LHGD, SRTU, LRTU, SHGU, LHGU |
| 5 | 16011ZV4005 | VALVE SET, FLOAT | | | 003 | SHD, LHD, LRTD, LHGD, SRTU, LRTU, SHGU, LHGU |
| 6 | 16013ZW4H01 | FLOAT SET | | | 003 | SHD, LHD, LRTD, LHGD, SRTU, LRTU, SHGU, LHGU |
| 7 | 16016ZW0L81 | SCREW SET | | | 003 | SRTU, LRTU, SHGU, LHGU |
| 7 | 16016ZW1L01 | SCREW SET | | | 003 | SHD, LHD, LRTD, LHGD |
| 8 | 16023ZV3000 | CHAMBER SET, FLOAT | | | 002 | SHD, LHD, LRTD, LHGD, SRTU, LRTU, SHGU, LHGU |
| 9 | 16023ZV7F01 | CHAMBER SET, FLOAT | BG11B B | | 001 | SHD, LHD, LRTD, LHGD, SRTU, LRTU, SHGU, LHGU |
| 9 | 16023ZV7H01 | CHAMBER SET, FLOAT | | BG10E A | 001 | SHD, LHD, LRTD, LHGD, SRTU, LRTU, SHGU, LHGU |
| 10 | 16024ZV4650 | SCREW SET, DRAIN | | | 003 | SHD, LHD, |

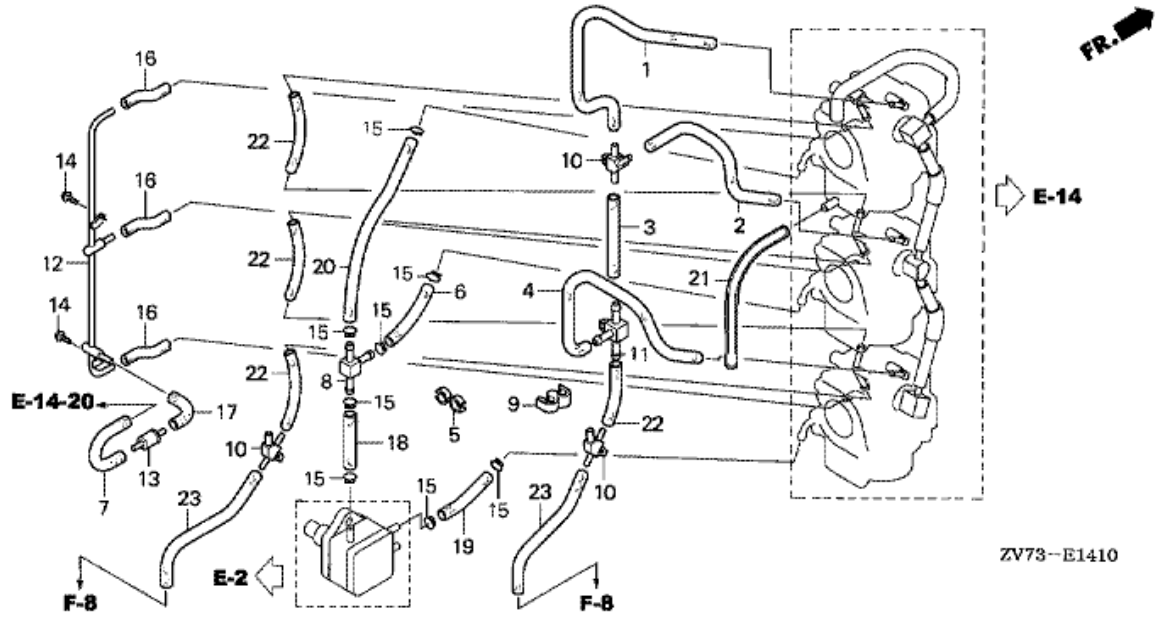
| | | | | | | |
|----|---------------|-----------------------------------|---------|---------|-----|--|
| | | | | | | LRTD, LHGD, SRTU, LRTU, SHGU, LHGU |
| 11 | 16028ZV3000 | SCREW SET | | | 001 | SHD, LHD, LRTD, LHGD, SRTU, LRTU, SHGU, LHGU |
| 12 | 16029ZV3000 | SCREW SET | | | 002 | SHD, LHD, LRTD, LHGD, SRTU, LRTU, SHGU, LHGU |
| 13 | 16052KG4003 | SPRING, COMPRESSION COIL | | | 002 | SHD, LHD, LRTD, LHGD, SRTU, LRTU, SHGU, LHGU |
| 14 | 16071ZV4005 | SCREW, PLUG | | | 003 | SHD, LHD, LRTD, LHGD, SRTU, LRTU, SHGU, LHGU |
| 15 | 16077KG8901 | O-RING, BYSTARTER | | | 001 | SHD, LHD, LRTD, LHGD, SRTU, LRTU, SHGU, LHGU |
| 16 | 16081ZV4650 | SCREW-WASHER | | | 012 | SHD, LHD, LRTD, LHGD, SRTU, LRTU, SHGU, LHGU |
| 17 | 16100ZV7G01ZA | CARBURETOR ASSY. (BG10E A) *NH8 * | | 1004789 | 001 | SRTU, LRTU, SHGU, LHGU |
| 17 | 16100ZV7G02ZA | CARBURETOR ASSY. (BG10E B) *NH8 * | 1004790 | 1005910 | 001 | SRTU, LRTU, SHGU, LHGU |
| 17 | 16100ZV7G03ZA | CARBURETOR ASSY. (BG10E C) *NH8 * | 1005911 | 1007033 | 001 | SRTU, LRTU, SHGU, LHGU |
| 17 | 16100ZV7G05ZA | CARBURETOR ASSY. (BG10E D) *NH8* | 1007034 | | 001 | SRTU, LRTU, SHGU, LHGU |
| 17 | 16100ZV7H02ZA | CARBURETOR ASSY. (BG10D B) *NH8 * | | 1002143 | 001 | SHD, LHD, LRTD, LHGD |
| 17 | 16100ZV7H03ZA | CARBURETOR ASSY. (BG10D C) *NH8 * | 1002144 | | 001 | SHD, LHD, LRTD, LHGD |
| 17 | 16100ZV7H04ZA | CARBURETOR ASSY. (BG10D D) *NH8 * | 1004934 | 1005904 | 001 | SHD, LHD, LRTD, LHGD |
| 17 | 16100ZV7H05ZA | CARBURETOR ASSY. (BG10D E) *NH8 * | 1005905 | | 001 | LRTD, LHGD |
| 18 | 16101ZV7G01 | CARBURETOR ASSY. (#1) | | BG10E A | 001 | SRTU, LRTU, SHGU, LHGU |
| 18 | 16101ZV7G02 | CARBURETOR ASSY. (#1) | BG10E B | BG10E C | 001 | SRTU, LRTU, SHGU, LHGU |
| 18 | 16101ZV7G03 | CARBURETOR ASSY. (#1) | BG10E D | | 001 | SRTU, LRTU, SHGU, LHGU |
| 18 | 16101ZV7H02 | CARBURETOR ASSY. (#1) | | BG10D B | 001 | SHD, LHD, LRTD, LHGD |
| 18 | 16101ZV7H03 | CARBURETOR ASSY. (#1) | BG10D C | | 001 | SHD, LHD, LRTD, LHGD |
| 18 | 16101ZV7H04 | CARBURETOR ASSY. (#1) | BG10D D | | 001 | SHD, LHD, LRTD, LHGD |
| 19 | 16102ZV7G01 | CARBURETOR ASSY. (#2) | | | 001 | SRTU, LRTU, SHGU, LHGU |
| 19 | 16102ZV7G02 | CARBURETOR ASSY. (#2) | BG10E D | | 001 | SRTU, LRTU, SHGU, LHGU |
| 19 | 16102ZV7H02 | CARBURETOR ASSY. (#2) | | BG10D B | 001 | SHD, LHD, LRTD, LHGD |
| 19 | 16102ZV7H03 | CARBURETOR ASSY. (#2) | BG10D C | | 001 | SHD, LHD, LRTD, LHGD |
| 19 | 16102ZV7H04 | CARBURETOR ASSY. (#2) | BG10D D | | 001 | SHD, LHD, LRTD, LHGD |
| 20 | 16103ZV7G01 | CARBURETOR ASSY. | | BG10E C | 001 | SRTU, LRTU, SHGU, LHGU |
| 20 | 16103ZV7G02 | CARBURETOR ASSY. | BG10E D | | 001 | SRTU, LRTU, SHGU, LHGU |
| 20 | 16103ZV7H02 | CARBURETOR ASSY. (#3) | | BG10D B | 001 | SHD, LHD, LRTD, LHGD |
| 20 | 16103ZV7H03 | CARBURETOR ASSY. (#3) | BG10D C | BG10D C | 001 | SHD, LHD, LRTD, LHGD |
| 20 | 16103ZV7H04 | CARBURETOR ASSY. (#3) | BG10D D | | 001 | SHD, LHD, |

| | | | | | | |
|----|---------------|-------------------------------|---------|---------|-----|---|
| | | | | | | LRTD, LHGD |
| 21 | 16130ZW2F01 | BYSTARTER ASSY., AUTO | BG11B B | | 001 | SHD, LHD, LRTD, LHGD, SRTU, LRTU, SHGU, LHGU |
| 21 | 16130ZW2H01 | BYSTARTER ASSY., AUTO | | BG13E A | 001 | SHD, LHD, LRTD, LHGD, SRTU, LRTU, SHGU, LHGU |
| 22 | 16131ZW9801 | PLATE, SETTING | | | 001 | SHD, LHD, LRTD, LHGD, SRTU, LRTU, SHGU, LHGU |
| 23 | 16132ZW9801 | SCREW-WASHER | | | 001 | SHD, LHD, LRTD, LHGD, SRTU, LRTU, SHGU, LHGU |
| 24 | 16142ZW4H01 | LEVER COMP., LINK | | | 001 | SHD, LHD, LRTD, LHGD, SRTU, LRTU, SHGU, LHGU |
| 25 | 16150ZV7F01 | JET SET, #40 | BG10D C | | 003 | SHD, LHD, LRTD, LHGD |
| 25 | 16150ZV7G01 | JET SET, #40 | BG10D D | | 003 | SHD, LHD, LRTD, LHGD, SRTU, LRTU, SHGU, LHGU |
| 25 | 16150ZV7G41 | JET SET, #40 | BG10E D | | 003 | SRTU, LRTU, SHGU, LHGU |
| 25 | 16150ZV7H02 | JET SET, #40 | | BG11B A | 003 | SHD, LHD, LRTD, LHGD |
| 26 | 16166ZV7G01 | NOZZLE, MAIN | | BG10E C | 003 | SRTU, LRTU, SHGU, LHGU |
| 26 | 16166ZV7G02 | NOZZLE, MAIN | BG10E D | | 003 | SRTU, LRTU, SHGU, LHGU |
| 26 | 16166ZV7H01 | NOZZLE, MAIN | | | 003 | SHD, LHD, LRTD, LHGD |
| 26 | 16166ZV7H31 | NOZZLE, MAIN | BG10D D | | 003 | SHD, LHD, LRTD, LHGD |
| 27 | 16211ZV7G00 | INSULATOR, CARBURETOR | 1007034 | | 003 | SRTU, LRTU, SHGU, LHGU |
| 27 | 16211ZW2000 | INSULATOR, CARBURETOR | | 1007033 | 003 | SHD, LHD, LRTD, LHGD, SRTU, LRTU, SHGU, LHGU |
| 28 | 16221ZW2000 | PACKING, CARBURETOR | | | 006 | SHD, LHD, LRTD, LHGD, SRTU, LRTU, SHGU, LHGU |
| 29 | 16815ZV5010 | CLAMP, FUEL TUBE | | | 001 | SHD, LHD, LRTD, LHGD, SRTU, LRTU, SHGU, LHGU |
| 30 | 17100ZW2F00ZA | MANIFOLD ASSY., INTAKE *NH8 * | | | 001 | SHD, LHD, LRTD, LHGD, SRTU, LRTU, SHGU, LHGU |
| 31 | 17151ZV7000 | PACKING, INTAKE MANIFOLD | | | 001 | SHD, LHD, LRTD, LHGD, SRTU, LRTU, SHGU, LHGU |
| 32 | 17202ZV5310 | COLLAR, DISTANCE, 6.5X11X7.5 | | | 006 | SHD, LHD, LRTD, LHGD, SRTU, LRTU, SHGU, LHGU |
| 33 | 17384ZV5000 | PACKING, SILENCER PLATE | | | 001 | SHD, LHD, LRTD, LHGD, SRTU, LRTU, SHGU, LHGU |
| 33 | 17384ZW4000 | PACKING, SILENCER PLATE | BG13D E | | 001 | LRTD, LHGD, SRTU, LRTU, SHGU, LHGU |
| 34 | 90013ZV0010 | BOLT, FLANGE, 6X12 | | | 002 | SHD, LHD, LRTD, LHGD, SRTU, LRTU, |

| | | | | | | |
|----|--------------|-----------------------|---------|---------|-----|--|
| | | | | | | SHGU, LHGU |
| 35 | 90021ZV5010 | BOLT, FLANGE, 6X97 | | | 006 | SHD, LHD, LRTD, LHGD, SRTU, LRTU, SHGU, LHGU |
| 36 | 90181ZW4000 | SCREW, PAN, 5X10 | | | 003 | SHD, LHD, LRTD, LHGD, SRTU, LRTU, SHGU, LHGU |
| 37 | 90452323000 | WASHER, SEALING, 5MM | | | 003 | SHD, LHD, LRTD, LHGD, SRTU, LRTU, SHGU, LHGU |
| 38 | 93500060184J | SCREW, PAN, 6X18 | | | 001 | SHD, LHD, LRTD, LHGD, SRTU, LRTU, SHGU, LHGU |
| 39 | 9622060150 | ROLLER, 6X15 | | | 006 | SHD, LHD, LRTD, LHGD, SRTU, LRTU, SHGU, LHGU |
| 40 | 99101ZV50850 | JET, MAIN, #85 | BG10E D | | (3) | SRTU, LRTU, SHGU, LHGU |
| 40 | 99101ZV50880 | JET, MAIN, #88 | BG10E D | | (3) | SRTU, LRTU, SHGU, LHGU |
| 40 | 99101ZV50900 | JET, MAIN, #90 | BG10E D | | 003 | SRTU, LRTU, SHGU, LHGU |
| 40 | 99101ZV50920 | JET, MAIN, #92 | BG10E D | | (3) | SHD, LHD, LRTD, LHGD |
| 40 | 99101ZV50950 | JET, MAIN, #95 | | BG10E C | 003 | SHD, LHD, LRTD, LHGD, SRTU, LRTU, SHGU, LHGU |
| 40 | 99101ZV50980 | JET, MAIN, #98 | | | 003 | SHD, LHD, LRTD, LHGD |
| 41 | 16133ZW4H01 | TUBE COMP. | | | 002 | SHD, LHD, LRTD, LHGD, SRTU, LRTU, SHGU, LHGU |
| 42 | 16891ZW4H00 | TUBE, BYSTARTER | | | 001 | SHD, LHD, LRTD, LHGD, SRTU, LRTU, SHGU, LHGU |
| 43 | 17380ZW4H00 | PLATE COMP., SILENCER | | BG10D D | 001 | SHD, LHD, LRTD, LHGD, SRTU, LRTU, SHGU, LHGU |
| 43 | 17380ZW4H01 | PLATE COMP., SILENCER | BG13E C | | 001 | LRTD, LHGD, SRTU, LRTU, SHGU, LHGU |
| 44 | 90603ZV4000 | CLIP, TUBE (B10) | | | 002 | SHD, LHD, LRTD, LHGD, SRTU, LRTU, SHGU, LHGU |
| 45 | 90604ZV0000 | CLIP, TUBE (B12) | | | 004 | SHD, LHD, LRTD, LHGD, SRTU, LRTU, SHGU, LHGU |

BF25D4 (ZV7S2 43;13ZV70E1,extZV7S2 43;13ZV70E1,ZV7S2 33;13ZV70E1,extZV7S2 33;13ZV70E1,ZV7S2 G9;13ZV70E1,extZV7S2 G9;13ZV70E1,ZV7S2 H9;13ZV70E1,extZV7S2 H9;13ZV70E1,ZV7S2 G8;13ZV70E1,extZV7S2 G8;13ZV70E1,ZV7S2 H8;13ZV70E1,extZV7S2 H8;13ZV70E1,ZV7S2 13;13ZV70E1,extZV7S2 13;13ZV70E1,ZV7S2 12;13ZV70E1,extZV7S2 12;13ZV70E1)

E-14-10 CARBURETOR TUBING

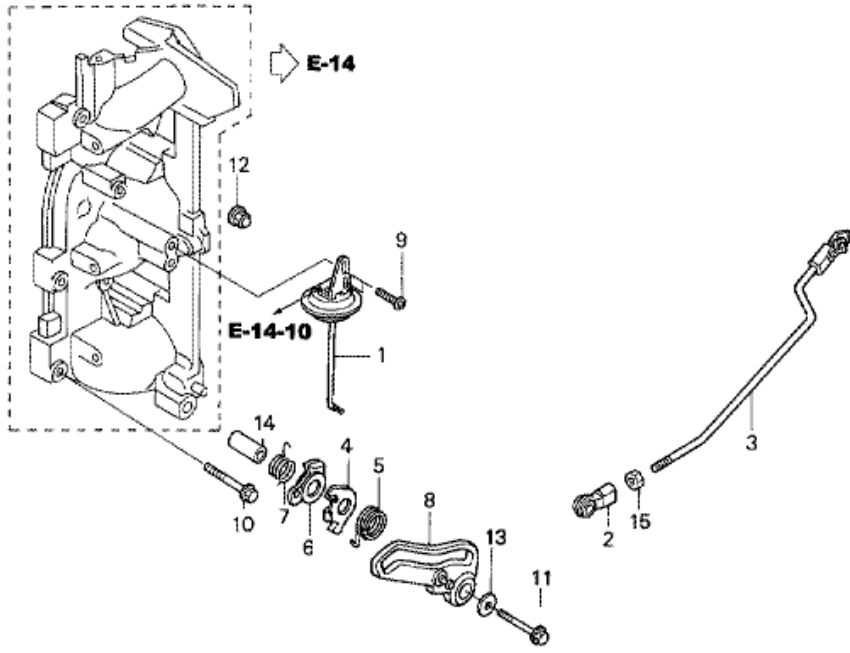


| Refnr | Parça Numarası | Açıklama | İlk numara | Son numara | Birim Adedi | Tipler |
|-------|----------------|-----------------------|------------|------------|-------------|--|
| 1 | 16196ZW4H00 | TUBE A, AIR VENT | | | 001 | SHD, LHD, LRTD, LHGD, SRTU, LRTU, SHGU, LHGU |
| 2 | 16197ZW4H00 | TUBE B, AIR VENT | | | 001 | SHD, LHD, LRTD, LHGD, SRTU, LRTU, SHGU, LHGU |
| 3 | 16198ZW4H00 | TUBE C, AIR VENT | | | 001 | SHD, LHD, LRTD, LHGD, SRTU, LRTU, SHGU, LHGU |
| 4 | 16199ZW4H00 | TUBE D, AIR VENT | | | 001 | SHD, LHD, LRTD, LHGD, SRTU, LRTU, SHGU, LHGU |
| 5 | 16223ZV5000 | CLAMP, FUEL TUBE (A) | | | 001 | SHD, LHD, LRTD, LHGD, SRTU, LRTU, SHGU, LHGU |
| 6 | 16871ZV7000 | TUBE C, FUEL | | | 001 | SHD, LHD, LRTD, LHGD, SRTU, LRTU, SHGU, LHGU |
| 7 | 16881ZV5000 | TUBE D, FUEL | | | 001 | SHD, LHD, LRTD, LHGD, SRTU, LRTU, SHGU, LHGU |
| 8 | 16960ME9000 | PIPE, THREE WAY JOINT | | | 001 | SHD, LHD, LRTD, LHGD, SRTU, LRTU, SHGU, LHGU |
| 9 | 17205PC6000 | CLAMP, TUBE, 7.5X2 | | | 001 | SHD, LHD, LRTD, LHGD, SRTU, LRTU, SHGU, LHGU |
| 10 | 17396ZW1000 | JOINT, THREE WAY | | | 003 | SHD, LHD, LRTD, LHGD, SRTU, LRTU, SHGU, LHGU |
| 11 | 17396ZW4H00 | JOINT, THREE WAY | | | 001 | SHD, LHD, |

| | | | | | | |
|----|--------------|---------------------------------------|--|--|-----|---|
| | | | | | | LRTD, LHGD, SRTU, LRTU, SHGU, LHGU |
| 12 | 17881ZV5010 | PIPE, INSTALL | | | 001 | SHD, LHD, LRTD, LHGD, SRTU, LRTU, SHGU, LHGU |
| 13 | 36135ZV5004 | VALVE, DASHPOT CHECK | | | 001 | SHD, LHD, LRTD, LHGD, SRTU, LRTU, SHGU, LHGU |
| 14 | 90019ZV1010 | BOLT, FLANGE, 5X10 | | | 002 | SHD, LHD, LRTD, LHGD, SRTU, LRTU, SHGU, LHGU |
| 15 | 90603ZV4000 | CLIP, TUBE (B10) | | | 008 | SHD, LHD, LRTD, LHGD, SRTU, LRTU, SHGU, LHGU |
| 16 | 950013504540 | TUBE, FUEL, 3.5X45 (95001-35001-60M) | | | 003 | SHD, LHD, LRTD, LHGD, SRTU, LRTU, SHGU, LHGU |
| 17 | 950013506540 | TUBE, FUEL, 3.5X65 (95001-35001-60M) | | | 001 | SHD, LHD, LRTD, LHGD, SRTU, LRTU, SHGU, LHGU |
| 18 | 950015505540 | TUBE, FUEL, 5.3X55 (95001-55001-60M) | | | 001 | SHD, LHD, LRTD, LHGD, SRTU, LRTU, SHGU, LHGU |
| 19 | 950015507040 | TUBE, FUEL, 5.3X70 (95001-55001-60M) | | | 001 | SHD, LHD, LRTD, LHGD, SRTU, LRTU, SHGU, LHGU |
| 20 | 950015517540 | TUBE, FUEL, 5.3X175 (95001-55001-60M) | | | 001 | SHD, LHD, LRTD, LHGD, SRTU, LRTU, SHGU, LHGU |
| 21 | 950030901331 | TUBE (95003-09001-60M) | | | 001 | SHD, LHD, LRTD, LHGD, SRTU, LRTU, SHGU, LHGU |
| 22 | 950054509350 | TUBE, 4.5X93 (95005-45001-50M) | | | 004 | SHD, LHD, LRTD, LHGD, SRTU, LRTU, SHGU, LHGU |
| 23 | 950054511050 | TUBE, 4.5X110 (95005-45001-50M) | | | 002 | SHD, LHD, LRTD, LHGD, SRTU, LRTU, SHGU, LHGU |

BF25D4 (ZV7S2 43;13ZV70E1,extZV7S2 43;13ZV70E1,ZV7S2 33;13ZV70E1,extZV7S2 33;13ZV70E1,ZV7S2 G9;13ZV70E1,extZV7S2 G9;13ZV70E1,ZV7S2 H9;13ZV70E1,extZV7S2 H9;13ZV70E1,ZV7S2 G8;13ZV70E1,extZV7S2 G8;13ZV70E1,ZV7S2 H8;13ZV70E1,extZV7S2 H8;13ZV70E1,ZV7S2 13;13ZV70E1,extZV7S2 13;13ZV70E1,ZV7S2 12;13ZV70E1,extZV7S2 12;13ZV70E1)

E-14-20 THROTTLE ROD



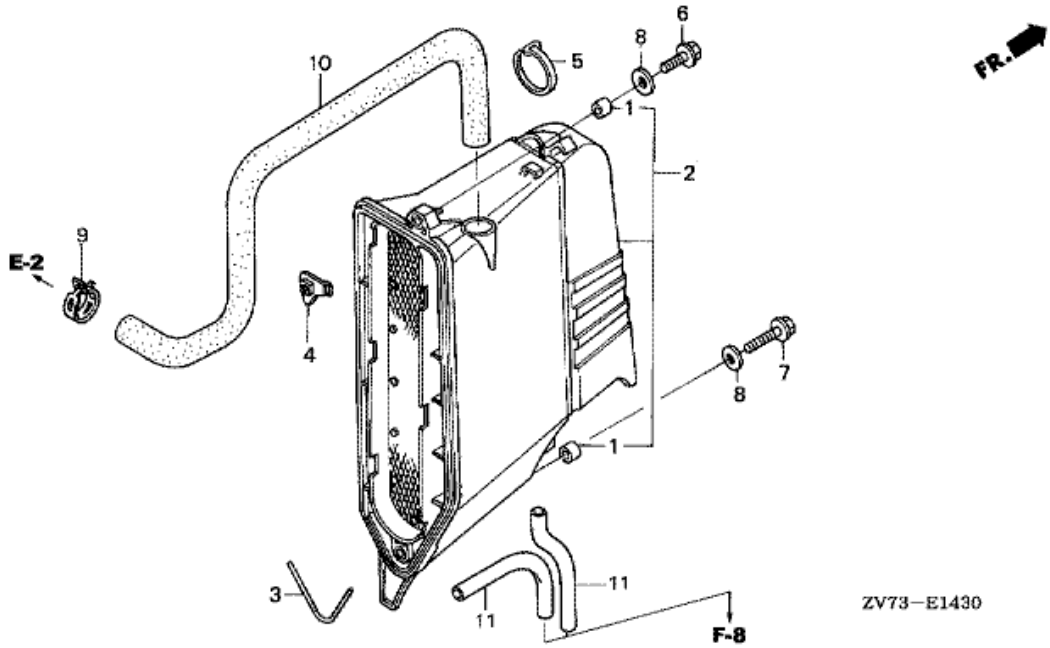
ZV73-E1420

| Refnr | Parça Numarası | Açıklama | İlk numara | Son numara | Birim Adedi | Tipler |
|-------|----------------|---------------------------|------------|------------|-------------|--|
| 1 | 16240ZW4H01 | DIAPHRAGM ASSY. | | | 001 | SHD, LHD, LRTD, LHGD, SRTU, LRTU, SHGU, LHGU |
| 2 | 17838ZV5000 | LINKAGE, PIVOT | | | 001 | SHD, LHD, LRTD, LHGD, SRTU, LRTU, SHGU, LHGU |
| 3 | 17840ZV7000 | ROD COMP., THROTTLE | | | 001 | SHD, LHD, LRTD, LHGD, SRTU, LRTU, SHGU, LHGU |
| 4 | 17927ZV5000 | PLATE, ASSIST | | | 001 | SHD, LHD, LRTD, LHGD, SRTU, LRTU, SHGU, LHGU |
| 5 | 17928ZV5000 | SPRING, ASSIST | | | 001 | SHD, LHD, LRTD, LHGD, SRTU, LRTU, SHGU, LHGU |
| 6 | 17937ZV5010 | CAM, THROTTLE OPENER | | | 001 | SHD, LHD, LRTD, LHGD |
| 6 | 17937ZW2G00 | CAM, THROTTLE OPENER | | | 001 | SRTU, LRTU, SHGU, LHGU |
| 7 | 17938ZV5000 | SPRING, OPENER CAM RETURN | | | 001 | SHD, LHD, LRTD, LHGD, SRTU, LRTU, SHGU, LHGU |
| 8 | 17946ZV5000 | CAM, THROTTLE | | | 001 | SHD, LHD, LRTD, LHGD, SRTU, LRTU, SHGU, LHGU |
| 9 | 90011ZV5003 | BOLT, TORX, 6X14 | | | 002 | SHD, LHD, LRTD, LHGD, SRTU, LRTU, SHGU, LHGU |
| 10 | 90031ZY3000 | BOLT, FLANGE, 6X32 | 1005771 | | 004 | SHD, LHD, LRTD, LHGD, SRTU, LRTU, SHGU, LHGU |
| 10 | 90142ZW4000 | BOLT, FLANGE, 6X32 | | 1005770 | 004 | SHD, LHD, |

| | | | | | | |
|----|--------------|---------------------|--|--|-----|---|
| | | | | | | LRTD, LHGD |
| 11 | 90145ZW4000 | BOLT, FLANGE, 6X40 | | | 001 | SHD, LHD, LRTD, LHGD, SRTU, LRTU, SHGU, LHGU |
| 12 | 90202ZV0000 | NUT, CAP, 6MM | | | 002 | SHD, LHD, LRTD, LHGD, SRTU, LRTU, SHGU, LHGU |
| 13 | 90511ZV4000 | WASHER, PLAIN, 6MM | | | 001 | SHD, LHD, LRTD, LHGD, SRTU, LRTU, SHGU, LHGU |
| 14 | 91504ZV5000 | COLLAR, 6.7X12.5X24 | | | 001 | SHD, LHD, LRTD, LHGD, SRTU, LRTU, SHGU, LHGU |
| 15 | 94001054900S | NUT, HEX., 5MM | | | 001 | SHD, LHD, LRTD, LHGD, SRTU, LRTU, SHGU, LHGU |

BF25D4 (ZV7S2 43;13ZV70E1,extZV7S2 43;13ZV70E1,ZV7S2 33;13ZV70E1,extZV7S2 33;13ZV70E1,ZV7S2 G9;13ZV70E1,extZV7S2 G9;13ZV70E1,ZV7S2 H9;13ZV70E1,extZV7S2 H9;13ZV70E1,ZV7S2 G8;13ZV70E1,extZV7S2 G8;13ZV70E1,ZV7S2 H8;13ZV70E1,extZV7S2 H8;13ZV70E1,ZV7S2 13;13ZV70E1,extZV7S2 13;13ZV70E1,ZV7S2 12;13ZV70E1,extZV7S2 12;13ZV70E1)

E-14-30 SILENCER COVER

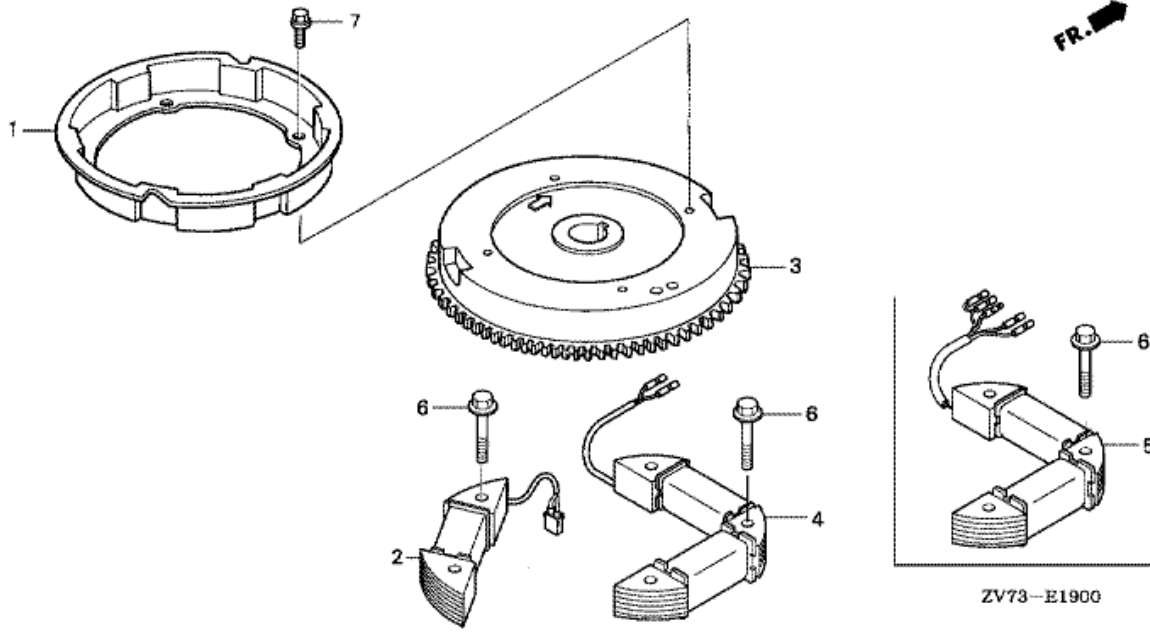


| Refnr | Parça Numarası | Açıklama | İlk numara | Son numara | Birim Adedi | Tipler |
|-------|----------------|-------------------------|------------|------------|-------------|--|
| 1 | 17202ZV4300 | COLLAR, DISTANCE | | | 002 | SHD, LHD, LRTD, LHGD, SRTU, LRTU, SHGU, LHGU |
| 2 | 17390ZW2F30 | COVER COMP., SILENCER | | | 001 | SHD, LHD |
| 2 | 17390ZW4H00 | COVER COMP., SILENCER | | | 001 | LRTD, LHGD, SRTU, LRTU, SHGU, LHGU |
| 3 | 17394ZV5000 | PACKING, SILENCER COVER | | | 001 | SHD, LHD, LRTD, LHGD, SRTU, LRTU, SHGU, LHGU |
| 4 | 17398ZV5010 | NUT, SILENCER COVER | | | 001 | SHD, LHD, LRTD, LHGD, SRTU, LRTU, SHGU, LHGU |
| 5 | 35701MG9950 | BAND (BLACK 3.5X140) | | | 001 | SHD, LHD |
| 6 | 90016ZW9000 | BOLT, FLANGE, 6X25 | 1003440 | | 001 | SHD, LHD, LRTD, LHGD, SRTU, LRTU, SHGU, LHGU |
| 6 | 90019ZW5000 | BOLT, FLANGE, 6X25 | | 1005497 | 001 | SHD, LHD, LRTD, LHGD |
| 7 | 90145ZW4000 | BOLT, FLANGE, 6X40 | | | 001 | SHD, LHD, LRTD, LHGD, SRTU, LRTU, SHGU, LHGU |
| 8 | 90403ZW6000 | WASHER, 6.5X18 | | | 002 | SHD, LHD, LRTD, LHGD, SRTU, LRTU, SHGU, LHGU |
| 9 | 90601ZV3010 | CLAMP, TUBE (D17) | | 1009875 | 001 | SHD, LHD, LRTD, LHGD, SRTU, LRTU, SHGU, LHGU |
| 9 | 90601ZV3020 | CLAMP, TUBE (D17) | 1009876 | 1010601 | 001 | LRTD, LHGD, SRTU, LRTU, SHGU, LHGU |
| 9 | 90601ZV3030 | CLAMP, TUBE (D17) | 1010602 | | 001 | LRTD, LHGD, SRTU, LRTU, SHGU, LHGU |

| | | | | | | |
|----|--------------|---|--|--|-----|---|
| 10 | 91401ZW2F00 | TUBE, BREATHER | | | 001 | SHD, LHD, LRTD, LHGD, SRTU, LRTU, SHGU, LHGU |
| 11 | 950030900731 | TUBE, VINYL, 4.5X8X70 (95003-09001-60M) | | | 002 | SHD, LHD, LRTD, LHGD, SRTU, LRTU, SHGU, LHGU |

BF25D4 (ZV7S2 43;13ZV70E1,extZV7S2 43;13ZV70E1,ZV7S2 33;13ZV70E1,extZV7S2 33;13ZV70E1,ZV7S2 G9;13ZV70E1,extZV7S2 G9;13ZV70E1,ZV7S2 H9;13ZV70E1,extZV7S2 H9;13ZV70E1,ZV7S2 G8;13ZV70E1,extZV7S2 G8;13ZV70E1,ZV7S2 H8;13ZV70E1,extZV7S2 H8;13ZV70E1,ZV7S2 13;13ZV70E1,extZV7S2 13;13ZV70E1,ZV7S2 12;13ZV70E1,extZV7S2 12;13ZV70E1)

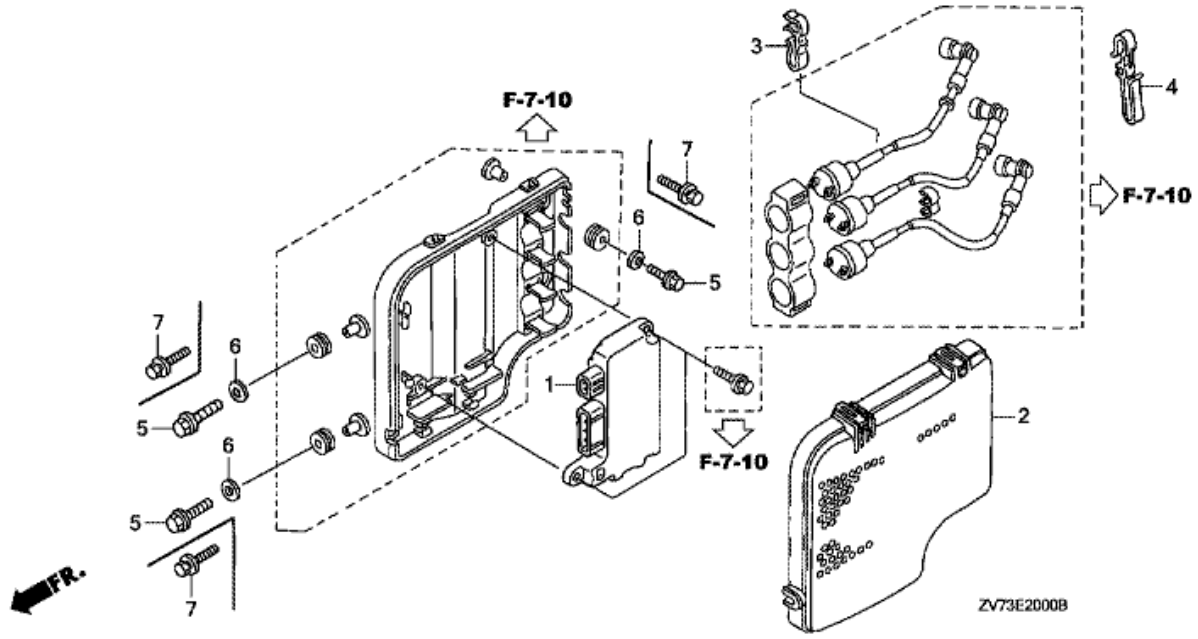
E-19 FLYWHEEL



| Refnr | Parça Numarası | Açıklama | İlk numara | Son numara | Birim Adedi | Tipler |
|-------|----------------|-----------------------------------|------------|------------|-------------|--|
| 1 | 28451ZV7003 | PULLEY, STARTER | | | 001 | SHD, LHD, LRTD, LHGD, SRTU, LRTU, SHGU, LHGU |
| 2 | 30595ZW2F01 | COIL ASSY., POWER | | | 001 | SHD, LHD, LRTD, LHGD, SRTU, LRTU, SHGU, LHGU |
| 3 | 31110ZV7000ZA | FLYWHEEL COMP. *TBLACK * | | | 001 | SHD, LHD |
| 3 | 31110ZV7750ZA | FLYWHEEL COMP. *TBLACK * | | | 001 | LRTD, LHGD, SRTU, LRTU, SHGU, LHGU |
| 4 | 31630ZW2F01 | COIL ASSY., CHARGE (12V-10A) | | | 001 | LRTD, LHGD, SRTU, LRTU, SHGU, LHGU |
| 5 | 31655ZW2F31 | COIL ASSY., HEATER & CHARGE (PTC) | | | 001 | SHD, LHD |
| 6 | 90014ZV7010 | BOLT, FLANGE, 6X35 | | | 005 | SHD, LHD, LRTD, LHGD, SRTU, LRTU, SHGU, LHGU |
| 7 | 90016920000 | BOLT, FLANGE, 6X12 | | 1006190 | 004 | SHD, LHD, LRTD, LHGD, SRTU, LRTU, SHGU, LHGU |
| 7 | 90056ZY3000 | BOLT, FLANGE, 6X12 | 1006191 | | 004 | SHD, LHD, LRTD, LHGD, SRTU, LRTU, SHGU, LHGU |

BF25D4 (ZV7S2 43;13ZV70E1,extZV7S2 43;13ZV70E1,ZV7S2 33;13ZV70E1,extZV7S2 33;13ZV70E1,ZV7S2 G9;13ZV70E1,extZV7S2 G9;13ZV70E1,ZV7S2 H9;13ZV70E1,extZV7S2 H9;13ZV70E1,ZV7S2 G8;13ZV70E1,extZV7S2 G8;13ZV70E1,ZV7S2 H8;13ZV70E1,extZV7S2 H8;13ZV70E1,ZV7S2 13;13ZV70E1,extZV7S2 13;13ZV70E1,ZV7S2 12;13ZV70E1,extZV7S2 12;13ZV70E1)

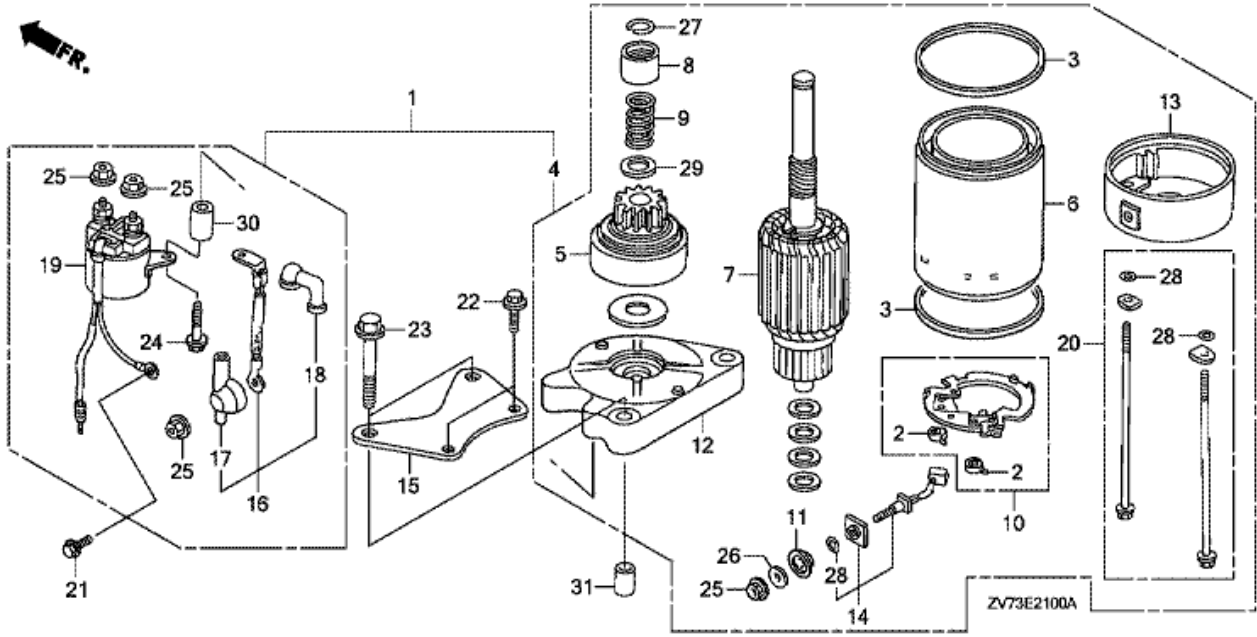
E-20 C.D.I. UNIT



| Refnr | Parça Numarası | Açıklama | İlk numara | Son numara | Birim Adedi | Tipler |
|-------|----------------|---------------------------|------------|------------|-------------|--|
| 1 | 30400ZV7F01 | C.D.I. UNIT | | 1002657 | 001 | SHD, LHD, LRTD, LHGD |
| 2 | 30588ZV5013 | COVER, C.D.I. UNIT | | | 001 | SHD, LHD, LRTD, LHGD, SRTU, LRTU, SHGU, LHGU |
| 3 | 32765PA1730 | CLAMP, CORD | | | 001 | SHD, LHD, LRTD, LHGD, SRTU, LRTU, SHGU, LHGU |
| 4 | 32766PE2003 | CLAMP, CENTER CORD | | | 001 | SHD, LHD, LRTD, LHGD, SRTU, LRTU, SHGU, LHGU |
| 5 | 90121ZV0010 | BOLT, FLANGE, 6X25 | | 1005016 | 004 | SHD, LHD, LRTD, LHGD |
| 6 | 90508ZY3000 | WASHER, PLAIN, 6MM | | 1005016 | 004 | SHD, LHD, LRTD, LHGD |
| 7 | 90003ZW2000 | BOLT-WASHER, 6X27 (CT200) | 1005017 | | 004 | SHD, LHD, LRTD, LHGD, SRTU, LRTU, SHGU, LHGU |

BF25D4 (ZV7S2 43;13ZV70E1,extZV7S2 43;13ZV70E1,ZV7S2 33;13ZV70E1,extZV7S2 33;13ZV70E1,ZV7S2 G9;13ZV70E1,extZV7S2 G9;13ZV70E1,ZV7S2 H9;13ZV70E1,extZV7S2 H9;13ZV70E1,ZV7S2 G8;13ZV70E1,extZV7S2 G8;13ZV70E1,ZV7S2 H8;13ZV70E1,extZV7S2 H8;13ZV70E1,ZV7S2 13;13ZV70E1,extZV7S2 13;13ZV70E1,ZV7S2 12;13ZV70E1,extZV7S2 12;13ZV70E1)

E-21 STARTER MOTOR

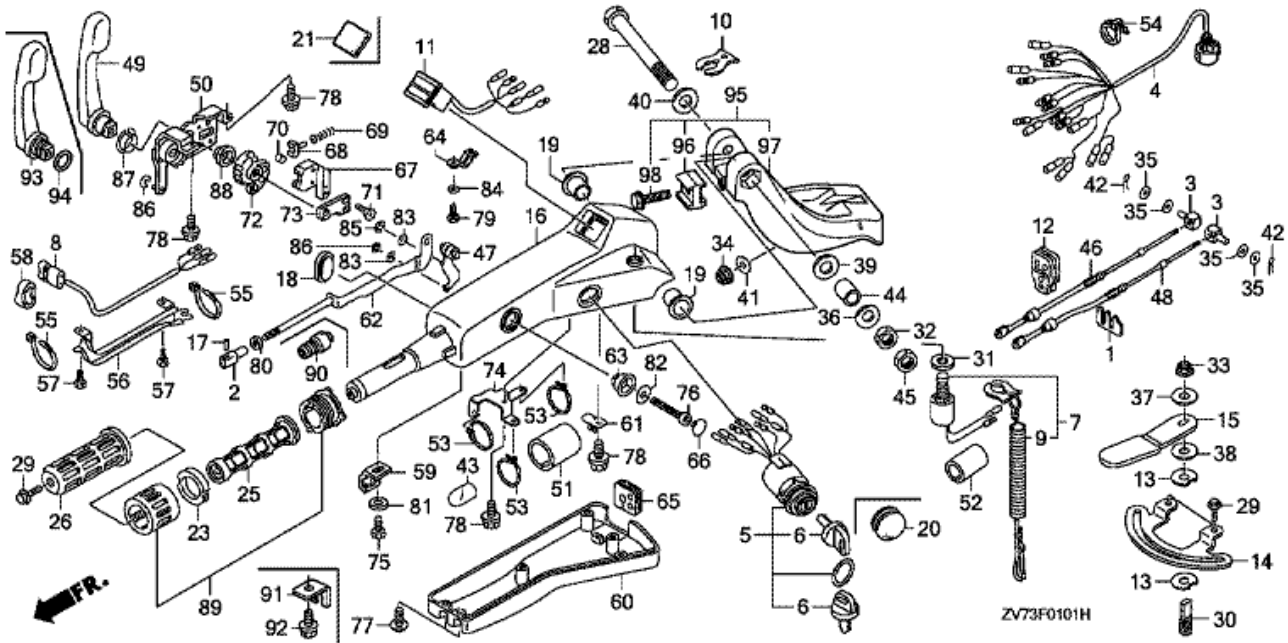


| Refnr | Parça Numarası | Açıklama | İlk numara | Son numara | Birim Adedi | Tipler |
|-------|----------------|----------------------|------------|------------|-------------|------------------------------------|
| 1 | 31200ZW2F01 | MOTOR ASSY., STARTER | | | 001 | LRTD, LHGD, SRTU, LRTU, SHGU, LHGU |
| 2 | 31204KS5901 | SPRING, CARBON BRUSH | | | 002 | LRTD, LHGD, SRTU, LRTU, SHGU, LHGU |
| 3 | 31207KS5901 | RING | | | 002 | LRTD, LHGD, SRTU, LRTU, SHGU, LHGU |
| 4 | 31210ZW2F01 | MOTOR UNIT, STARTER | | | 001 | LRTD, LHGD, SRTU, LRTU, SHGU, LHGU |
| 5 | 31214ZV7751 | CLUTCH COMP. | | | 001 | LRTD, LHGD, SRTU, LRTU, SHGU, LHGU |
| 6 | 31216ZV7751 | YOKE COMP. | | | 001 | LRTD, LHGD, SRTU, LRTU, SHGU, LHGU |
| 7 | 31217ZV7751 | ROTOR COMP. | | | 001 | LRTD, LHGD, SRTU, LRTU, SHGU, LHGU |
| 8 | 31221ZV4811 | PIECE, STOPPER | | | 001 | LRTD, LHGD, SRTU, LRTU, SHGU, LHGU |
| 9 | 31223ZW2F01 | SPRING, RETURN | | | 001 | LRTD, LHGD, SRTU, LRTU, SHGU, LHGU |
| 10 | 31231ZV4811 | HOLDER COMP., BRUSH | | | 001 | LRTD, LHGD, SRTU, LRTU, SHGU, LHGU |
| 11 | 31233ZV4811 | INSULATOR | | | 001 | LRTD, LHGD, SRTU, LRTU, SHGU, LHGU |
| 12 | 31235ZV4811 | BRACKET COMP., FR. | | | 001 | LRTD, LHGD, SRTU, LRTU, SHGU, LHGU |
| 13 | 31236ZV4811 | BRACKET, RR. | | | 001 | LRTD, LHGD, SRTU, LRTU, SHGU, LHGU |
| 14 | 31238ZV4812 | TERMINAL UNIT | | | 001 | LRTD, LHGD, |

| | | | | | | |
|----|-------------|---------------------------------|---------|---------|-----|--|
| | | | | | | SRTU, LRTU, SHGU, LHGU |
| 15 | 31255ZV7751 | STAY, STARTER MOTOR | | | 001 | LRTD, LHGD, SRTU, LRTU, SHGU, LHGU |
| 16 | 32402ZV7750 | CORD, MAGNET SWITCH | | | 001 | LRTD, LHGD, SRTU, LRTU, SHGU, LHGU |
| 17 | 32411ZV4811 | COVER, STARTER TERMINAL | | | 001 | LRTD, LHGD, SRTU, LRTU, SHGU, LHGU |
| 18 | 32412ZV4811 | COVER, MAGNETIC SWITCH TERMINAL | | | 001 | LRTD, LHGD, SRTU, LRTU, SHGU, LHGU |
| 19 | 35850ZV7751 | SWITCH ASSY., STARTER MAGNETIC | | | 001 | LRTD, LHGD, SRTU, LRTU, SHGU, LHGU |
| 20 | 90012ZV7752 | BOLT SET, SETTING | | | 001 | LRTD, LHGD, SRTU, LRTU, SHGU, LHGU |
| 21 | 90013ZW4000 | BOLT, FLANGE, 6X12 (CT200) | | | 001 | LRTD, LHGD, SRTU, LRTU, SHGU, LHGU |
| 22 | 90017ZY3000 | BOLT, FLANGE, 6X16 | | | 002 | LRTD, LHGD, SRTU, LRTU, SHGU, LHGU |
| 23 | 90126881010 | BOLT, FLANGE, 8X45 | | 1005497 | 002 | LRTD, LHGD |
| 23 | 90126ZW4000 | BOLT, FLANGE, 8X45 | 1005498 | | 002 | LRTD, LHGD, SRTU, LRTU, SHGU, LHGU |
| 24 | 90169ZW4000 | BOLT, FLANGE, (SH) 6X25 | | | 002 | LRTD, LHGD, SRTU, LRTU, SHGU, LHGU |
| 25 | 90203ZV4811 | NUT-WASHER, 6MM | | | 004 | LRTD, LHGD, SRTU, LRTU, SHGU, LHGU |
| 26 | 90405ZV4811 | WASHER, 6MM | | | 001 | LRTD, LHGD, SRTU, LRTU, SHGU, LHGU |
| 27 | 90602ZV4811 | CIRCLIP, 14MM | | | 001 | LRTD, LHGD, SRTU, LRTU, SHGU, LHGU |
| 28 | 91320MB0000 | O-RING | | | 003 | LRTD, LHGD, SRTU, LRTU, SHGU, LHGU |
| 29 | 91401ZV4811 | WASHER | | | 001 | LRTD, LHGD, SRTU, LRTU, SHGU, LHGU |
| 30 | 91551ZV7750 | COLLAR, DISTANCE | | | 002 | LRTD, LHGD, SRTU, LRTU, SHGU, LHGU |
| 31 | 9430110160 | DOWEL PIN, 10X16 | | | 002 | LRTD, LHGD, SRTU, LRTU, SHGU, LHGU |

BF25D4 (ZV7S2 43;13ZV70E1,extZV7S2 43;13ZV70E1,ZV7S2 33;13ZV70E1,extZV7S2 33;13ZV70E1,ZV7S2 G9;13ZV70E1,extZV7S2 G9;13ZV70E1,ZV7S2 H9;13ZV70E1,extZV7S2 H9;13ZV70E1,ZV7S2 G8;13ZV70E1,extZV7S2 G8;13ZV70E1,ZV7S2 H8;13ZV70E1,extZV7S2 H8;13ZV70E1,ZV7S2 13;13ZV70E1,extZV7S2 13;13ZV70E1,ZV7S2 12;13ZV70E1,extZV7S2 12;13ZV70E1)

F-1-1 STEERING HANDLE (2)



| Refnr | Parça Numarası | Açıklama | İlk numara | Son numara | Birim Adedi | Tipler |
|-------|----------------|--------------------------------|------------|------------|-------------|----------------------------|
| 1 | 17877ZV5000 | PLATE, REMOTE CONTROL CABLE | | | 001 | SHD, LHD, LHGD, SHGU, LHGU |
| 2 | 17917ZW9000 | PIVOT, THROTTLE CABLE | | | 001 | SHD, LHD, LHGD, SHGU, LHGU |
| 3 | 24618ZV5000 | PIVOT, SHIFT | | | 002 | SHD, LHD, LHGD, SHGU, LHGU |
| 4 | 32538ZW2F01 | CABLE ASSY., LONG HANDLE (A) | | | 001 | SHD, LHD, LHGD, SHGU, LHGU |
| 5 | 35100ZW4H01 | SWITCH ASSY., COMBINATION | | 1010328 | 001 | LHGD, SHGU, LHGU |
| 5 | 35100ZW4H02 | SWITCH ASSY., COMBINATION | | | 001 | LHGD, SHGU, LHGU |
| 6 | 35110ZV5003 | KEY ASSY., COMBINATION SWITCH | | 1010328 | 002 | LHGD, SHGU, LHGU |
| 7 | 35180ZW2F31 | SWITCH ASSY., EMERGENCY STOP | | 1007273 | 001 | SHD, LHD |
| 7 | 35180ZW2F32 | SWITCH ASSY., EMERGENCY STOP | 1007274 | | 001 | SHD, LHD |
| 7 | 36180ZV5013 | SWITCH ASSY., EMERGENCY STOP | | 1003457 | 001 | LHGD, SHGU, LHGU |
| 7 | 36180ZV5023 | SWITCH ASSY., EMERGENCY STOP | 1007274 | | 001 | LHGD, SHGU, LHGU |
| 9 | 36182ZV4650 | CORD COMP., EMERGENCY | | 1003457 | 001 | SHD, LHD, LHGD, SHGU, LHGU |
| 9 | 36182ZV4651 | CORD COMP., EMERGENCY | 1007274 | | 001 | SHD, LHD, LHGD, SHGU, LHGU |
| 10 | 36187ZV4651 | CLIP, EMERGENCY LOCK | | 1007273 | 001 | SHD, LHD, LHGD, SHGU, LHGU |
| 10 | 36187ZV4652 | CLIP, EMERGENCY LOCK | 1007274 | | 001 | SHD, LHD, LHGD, SHGU, LHGU |
| 11 | 37210ZW1702 | LAMP ASSY., INDICATION (2-LED) | | | 001 | LHGD, SHGU, LHGU |
| 12 | 40105ZV5000 | GROMMET, UNDER CASE (A) | | | 001 | LHGD, SHGU, LHGU |

| | | | | | | |
|----|---------------|-----------------------------|---------|---------|-----|----------------------------------|
| 12 | 40105ZW2F30 | GROMMET, UNDER CASE (A) | | | 001 | SHD, LHD |
| 13 | 50212ZW9003 | BLOCK COMP., FRICTION | | | 002 | SHD, LHD, LHGD, SHGU, LHGU |
| 14 | 50218ZW2F00 | PLATE, FRICTION | | | 001 | SHD, LHD, LHGD, SHGU, LHGU |
| 15 | 50219ZW2F10 | LEVER, FRICTION | | | 001 | SHD, LHD, LHGD, SHGU, LHGU |
| 16 | 53101ZW4H01ZA | HOUSING *NH282MU * | | 1007273 | 001 | SHD, LHD, LHGD, SHGU, LHGU |
| 16 | 53101ZY9A01ZA | HOUSING *NH282MU * | 1007274 | 1009227 | 001 | SHD, LHD, LHGD, SHGU, LHGU |
| 16 | 53101ZY9A02ZA | HOUSING *NH282MU * | 1009228 | | 001 | LHGD, SHGU, LHGU |
| 17 | 53103ZW9000 | PIN, THROTTLE CABLE | | | 001 | SHD, LHD, LHGD, SHGU, LHGU |
| 18 | 53115ZW4H01 | GROMMET, POWER TILT SWITCH | | 1009227 | 001 | SHD, LHD, LHGD, SHGU, LHGU |
| 18 | 53115ZW4H02 | GROMMET, POWER TILT SWITCH | 1009228 | | 001 | LHGD, SHGU, LHGU |
| 19 | 53116ZW4H11 | BUSH, STEERING HANDLE | | | 002 | SHD, LHD, LHGD, SHGU, LHGU |
| 20 | 53118ZW2H01 | GROMMET, COMBINATION SWITCH | | | 001 | SHD, LHD |
| 21 | 53119ZW2H01 | GROMMET, LAMP INDICATOR | | | 001 | SHD, LHD |
| 23 | 53133ZW9000 | PAD, THROTTLE FRICTION | | | 001 | SHD, LHD, LHGD, SHGU, LHGU |
| 25 | 53141ZW4H00 | PIPE, GRIP | | | 001 | SHD, LHD, LHGD, SHGU, LHGU |
| 26 | 53165ZW9000 | RUBBER, GRIP | | | 001 | SHD, LHD, LHGD, SHGU, LHGU |
| 28 | 90101ZW4H00 | BOLT, HEX., 12X80 | | | 001 | SHD, LHD, LHGD, SHGU, LHGU |
| 29 | 90102ZW9000 | BOLT, FLANGE, 6X12 | | | 001 | SHD, LHD, LHGD, SHGU, LHGU |
| 30 | 90162ZW9000 | BOLT, STUD, 8X26 | | | 001 | SHD, LHD, LHGD, SHGU, LHGU |
| 31 | 90302921000 | NUT, HEX., 16MM | | | 001 | SHD, LHD, LHGD, SHGU, LHGU |
| 32 | 90303ZW4H00 | NUT, HEX., 12MM | | | 001 | SHD, LHD, LHGD, SHGU, LHGU |
| 33 | 90305ZW9000 | NUT, SELF-LOCK, 8MM | | | 001 | SHD, LHD, LHGD, SHGU, LHGU |
| 34 | 90306ZV5003 | NUT, SELF-LOCK, 10MM | | | 002 | SHD, LHD, LHGD, SHGU, LHGU |
| 35 | 90504921010 | WASHER, PLAIN, 6MM | | | 004 | SHD, LHD, LHGD, SHGU, LHGU |
| 36 | 90506ZV1000 | WASHER, WAVE, 14MM | | | 001 | SHD, LHD, LHGD, SHGU, LHGU |
| 37 | 90514921000 | WASHER, 8MM | | | 001 | SHD, LHD, LHGD, SHGU, LHGU |
| 38 | 90517ZW9000 | WASHER, NYLON, 8MM | | | 001 | SHD, LHD, LHGD, SHGU, LHGU |
| 39 | 90552ZV5000 | WASHER, PLAIN, 12MM | | | 001 | SHD, LHD, |

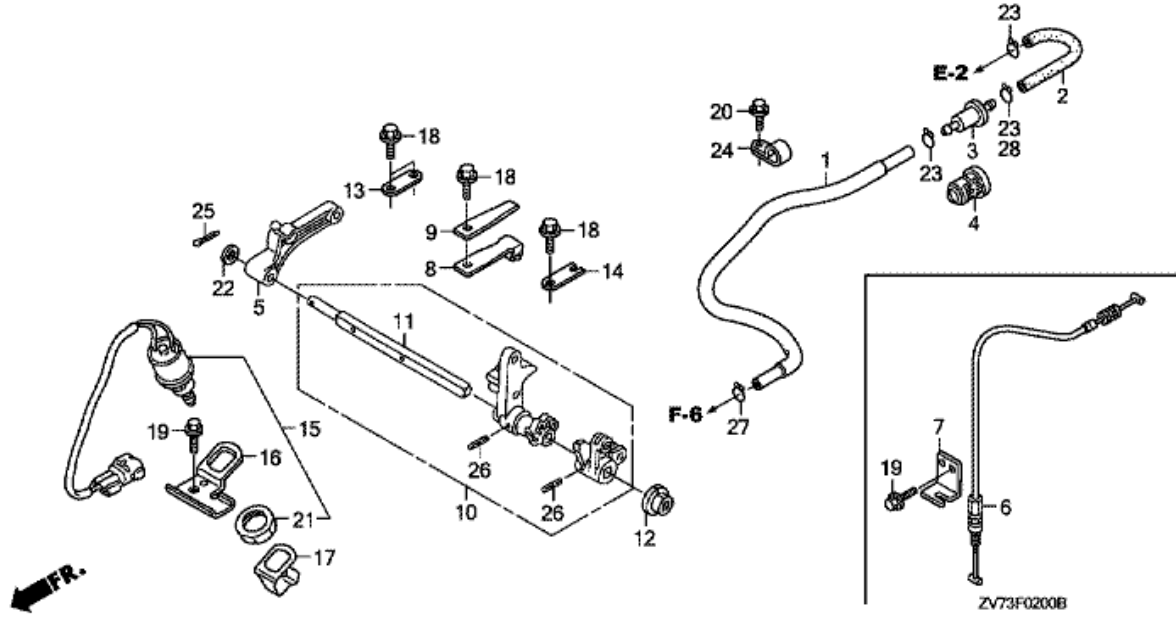
| | | | | | | |
|----|--------------|------------------------------|---------|---------|-----|----------------------------|
| | | | | | | LHGD, SHGU, LHGU |
| 40 | 90559ZV5000 | WASHER, PLAIN, 12MM | | | 001 | SHD, LHD, LHGD, SHGU, LHGU |
| 41 | 90563ZV5000 | WASHER, PLAIN, 10MM | | | 002 | SHD, LHD, LHGD, SHGU, LHGU |
| 42 | 90765ZV5000 | PIN, SPECIAL LOCK, 6MM | | | 002 | SHD, LHD, LHGD, SHGU, LHGU |
| 43 | 91408ZJ1810 | TUBE, CORD, 30MM | | | 001 | SHD, LHD, LHGD, SHGU, LHGU |
| 44 | 91552ZW4H00 | COLLAR, DISTANCE, 12.2X23X16 | | | 001 | SHD, LHD, LHGD, SHGU, LHGU |
| 45 | 94002124900S | NUT, HEX., 12MM | | | 001 | SHD, LHD, LHGD, SHGU, LHGU |
| 46 | 17910ZW4H01 | CABLE COMP., THROTTLE | | | 001 | SHD, LHD, LHGD, SHGU, LHGU |
| 47 | 17931ZW4H01 | ARM, THROTTLE | | 1008323 | 001 | SHD, LHD, LHGD, SHGU, LHGU |
| 47 | 17931ZW4H02 | ARM, THROTTLE | | | 001 | LHGD, SHGU, LHGU |
| 48 | 24590ZW4H01 | CABLE, SHIFT | | | 001 | SHD, LHD, LHGD, SHGU, LHGU |
| 49 | 24614ZW4H01 | LEVER, SHIFT | | 1003815 | 001 | SHD, LHD, LHGD, SHGU, LHGU |
| 49 | 24614ZW4H02 | LEVER, SHIFT | 1003816 | 1003938 | 001 | LHGD, SHGU, LHGU |
| 50 | 24615ZW4H01 | FRAME ASSY., SHIFT | | | 001 | SHD, LHD, LHGD, SHGU, LHGU |
| 50 | 24615ZW4H02 | FRAME ASSY., SHIFT | 1003642 | 1003815 | 001 | LHGD, SHGU, LHGU |
| 50 | 24615ZW4H03 | FRAME ASSY., SHIFT | 1009228 | | 001 | LHGD, SHGU, LHGU |
| 51 | 32533ZW4H01 | TUBE (38.1X40) | | | 001 | SHD, LHD, LHGD, SHGU, LHGU |
| 52 | 32534ZW4H01 | TUBE (19X40) | | | 001 | SHD, LHD, LHGD, SHGU, LHGU |
| 53 | 32543ZW4H01 | BAND (CONVEX CV-150) | | | 002 | SHD, LHD, LHGD, SHGU, LHGU |
| 54 | 32544ZW4H01 | BAND (CONVEX CV-200) | | 1006013 | 001 | SHD, LHD, LHGD, SHGU, LHGU |
| 54 | 32544ZW4H01 | BAND (CONVEX CV-200) | | | 002 | SHD, LHD, LHGD, SHGU, LHGU |
| 59 | 35645ZW4H01 | HOLDER, SWITCH | | | 001 | SHD, LHD, LHGD, SHGU, LHGU |
| 59 | 35645ZW4H02 | HOLDER, SWITCH | 1008324 | | 001 | LHGD, SHGU, LHGU |
| 60 | 53102ZW4H01 | COVER, UNDER | | 1007273 | 001 | SHD, LHD, LHGD, SHGU, LHGU |
| 60 | 53102ZY9A01 | COVER, STEERING HANDLE UNDER | 1007274 | 1009227 | 001 | SHD, LHD, LHGD, SHGU, LHGU |
| 60 | 53102ZY9A02 | COVER, STEERING HANDLE UNDER | 1009228 | | 001 | LHGD, SHGU, LHGU |
| 61 | 53104ZW4H01 | BRACKET, CABLE | | 1003641 | 001 | SHD, LHD, LHGD, SHGU, LHGU |

| | | | | | | |
|----|-------------|-------------------|---------|---------|-----|----------------------------|
| 61 | 53104ZW4H02 | BRACKET, CABLE | 1003642 | | 001 | LHGD, SHGU, LHGU |
| 62 | 53105ZW4H01 | PLATE ASSY., LOCK | | | 001 | SHD, LHD, LHGD, SHGU, LHGU |
| 63 | 53106ZW4H01 | STOPPER | | | 001 | SHD, LHD, LHGD, SHGU, LHGU |
| 64 | 53107ZW4H01 | PLATE, GUIDE | | 1008323 | 001 | SHD, LHD, LHGD, SHGU, LHGU |
| 64 | 53107ZW4H02 | PLATE, GUIDE | 1003642 | | 001 | LHGD, SHGU, LHGU |
| 65 | 53108ZW4H01 | GROMMET | | | 001 | SHD, LHD, LHGD, SHGU, LHGU |
| 66 | 53109ZW4H01 | CAP | | | 001 | SHD, LHD, LHGD, SHGU, LHGU |
| 66 | 53109ZW4H02 | CAP | 1009228 | | 001 | LHGD, SHGU, LHGU |
| 67 | 53112ZW4H01 | GUIDE, SPRING | | 1003641 | 001 | SHD, LHD, LHGD, SHGU, LHGU |
| 67 | 53112ZW4H02 | GUIDE, SPRING | 1008324 | | 001 | LHGD, SHGU, LHGU |
| 68 | 53113ZW4H01 | ACTUATOR | | | 001 | SHD, LHD, LHGD, SHGU, LHGU |
| 69 | 53114ZW4H01 | SPRING, COIL | | | 001 | SHD, LHD, LHGD, SHGU, LHGU |
| 70 | 53116ZW4H01 | ROLLER | | | 001 | SHD, LHD, LHGD, SHGU, LHGU |
| 71 | 53117ZW4H01 | SCREW (M5X14) | | | 004 | SHD, LHD, LHGD, SHGU, LHGU |
| 71 | 53117ZW4H01 | SCREW (M5X14) | 1003642 | | 004 | LHGD, SHGU, LHGU |
| 72 | 53118ZW4H01 | GEAR, SHIFT | | | 001 | SHD, LHD, LHGD, SHGU, LHGU |
| 72 | 53118ZW4H02 | GEAR, SHIFT | 1008324 | 1009227 | 001 | LHGD, SHGU, LHGU |
| 72 | 53118ZW4H03 | GEAR, SHIFT | 1009228 | | 001 | LHGD, SHGU, LHGU |
| 73 | 53119ZW4H01 | PLATE, BALL GUIDE | | | 001 | SHD, LHD, LHGD, SHGU, LHGU |
| 73 | 53119ZW4H02 | PLATE, BALL GUIDE | 1008324 | | 001 | LHGD, SHGU, LHGU |
| 74 | 53121ZW4H01 | BRACKET | | 1003641 | 001 | SHD, LHD, LHGD, SHGU, LHGU |
| 74 | 53121ZW4H02 | BRACKET | 1008324 | | 001 | LHGD, SHGU, LHGU |
| 75 | 90102ZW4H01 | BOLT (M5X8) | | | 001 | SHD, LHD, LHGD, SHGU, LHGU |
| 76 | 90103ZW4H01 | BOLT (M8X50) | | 1003641 | 001 | SHD, LHD, LHGD, SHGU, LHGU |
| 76 | 90103ZW4H02 | BOLT (M8X50) | 1008324 | | 001 | LHGD, SHGU, LHGU |
| 77 | 90104ZW4H01 | BOLT (M5X12) | | | 006 | SHD, LHD, LHGD, SHGU, LHGU |
| 78 | 90105ZW4H01 | BOLT (M6X12) | | 1003641 | 004 | SHD, LHD, LHGD, SHGU, LHGU |
| 78 | 90105ZW4H02 | BOLT (M6X12) | 1008324 | | 004 | LHGD, SHGU, LHGU |

| | | | | | | |
|----|---------------|---------------------------------|---------|---------|-----|----------------------------|
| 79 | 90106ZW4H01 | BOLT (M5X12) | | | 003 | SHD, LHD, LHGD, SHGU, LHGU |
| 80 | 90301ZW4H01 | NUT, HEX., 5MM | | | 001 | SHD, LHD, LHGD, SHGU, LHGU |
| 81 | 90501ZW4H01 | WASHER, 5MM | | | 001 | SHD, LHD, LHGD, SHGU, LHGU |
| 82 | 90502ZW4H01 | WASHER, 8MM | | 1008323 | 001 | SHD, LHD, LHGD, SHGU, LHGU |
| 82 | 90502ZW4H02 | WASHER, 8MM | 1008324 | | 001 | LHGD, SHGU, LHGU |
| 83 | 90503ZW4H01 | WASHER, 10MM | | | 002 | SHD, LHD, LHGD, SHGU, LHGU |
| 84 | 90504ZW4H01 | WASHER, 5MM | | | 003 | SHD, LHD, LHGD, SHGU, LHGU |
| 85 | 90651ZW4H01 | E-RING | | | 001 | SHD, LHD, LHGD, SHGU, LHGU |
| 86 | 90652ZW4H01 | E-RING | | | 002 | SHD, LHD, LHGD, SHGU, LHGU |
| 87 | 91051ZW4H01 | BEARING | | 1009227 | 001 | SHD, LHD, LHGD, SHGU, LHGU |
| 87 | 91051ZW4H02 | BEARING | 1009228 | | 001 | LHGD, SHGU, LHGU |
| 88 | 91052ZW4H01 | BEARING | | | 001 | SHD, LHD, LHGD, SHGU, LHGU |
| 89 | 53130ZW9000 | GRIP ASSY., THROTTLE FRICTION | | | 001 | SHD, LHD, LHGD, SHGU, LHGU |
| 90 | 53122ZW4H01 | ROD, GROMMET | 1009228 | | 001 | LHGD, SHGU, LHGU |
| 91 | 53123ZW4H01 | CLAMP, BRACKET | 1003816 | | 001 | LHGD, SHGU, LHGU |
| 92 | 90105ZW4H02 | BOLT (M6X12) | 1009228 | | 001 | LHGD, SHGU, LHGU |
| 93 | 24614ZW4303 | LEVER, SHIFT | 1009413 | 1010145 | 001 | LHGD, SHGU, LHGU |
| 93 | 24614ZW4H03 | LEVER, SHIFT | 1010146 | | 001 | LHGD, SHGU, LHGU |
| 94 | 91304HP5601 | O-RING, 20.6X1.9 | | | 001 | LHGD, SHGU, LHGU |
| 95 | 06530ZW4305ZA | BRACKET KIT, STEERING *NH282MU* | | | (1) | SHD, LHD, LHGD, SHGU, LHGU |
| 96 | 53232ZY9A00 | BLOCK, HEIGHT ADJUSTER | | | (1) | SHD, LHD, LHGD, SHGU, LHGU |
| 96 | 53232ZY9A00 | BLOCK, HEIGHT ADJUSTER | 1010146 | | 001 | LHGD, SHGU, LHGU |
| 97 | 53233ZZ5000ZA | BRACKET, STEERING *NH282MU* | 1010146 | | 001 | LHGD, SHGU, LHGU |
| 98 | 90118HW1671 | BOLT, FLANGE, 8X28 | 1010146 | | 001 | LHGD, SHGU, LHGU |
| 98 | 90118HW1671 | BOLT, FLANGE, 8X28 | | | (1) | SHD, LHD, LHGD, SHGU, LHGU |

BF25D4 (ZV7S2 43;13ZV70E1,extZV7S2 43;13ZV70E1,ZV7S2 33;13ZV70E1,extZV7S2 33;13ZV70E1,ZV7S2 G9;13ZV70E1,extZV7S2 G9;13ZV70E1,ZV7S2 H9;13ZV70E1,extZV7S2 H9;13ZV70E1,ZV7S2 G8;13ZV70E1,extZV7S2 G8;13ZV70E1,ZV7S2 H8;13ZV70E1,extZV7S2 H8;13ZV70E1,ZV7S2 13;13ZV70E1,extZV7S2 13;13ZV70E1,ZV7S2 12;13ZV70E1,extZV7S2 12;13ZV70E1)

F-2 SHIFT SHAFT

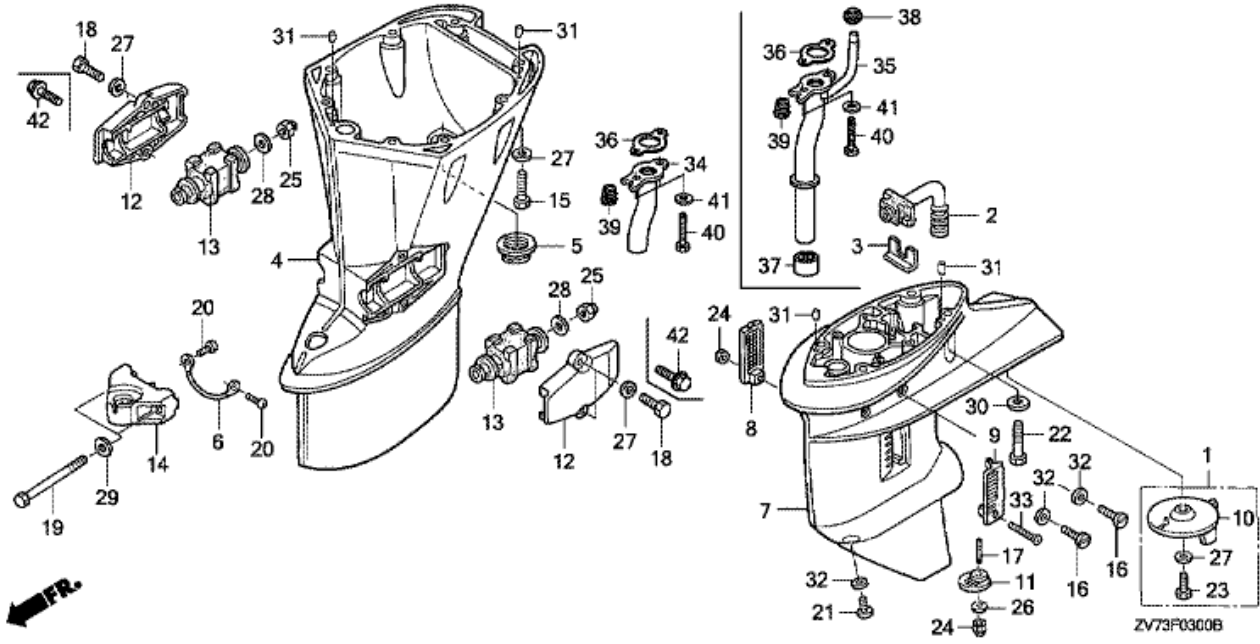


| Refnr | Parça Numarası | Acıklama | İlk numara | Son numara | Birim Adedi | Tipler |
|-------|----------------|-------------------------------|------------|------------|-------------|--|
| 1 | 16850ZV7000 | TUBE COMP., FUEL | | | 001 | SHD, LHD, LRTD, LHGD, SRTU, LRTU, SHGU, LHGU |
| 2 | 16861ZV7000 | TUBE B, FUEL | | | 001 | SHD, LHD, LRTD, LHGD, SRTU, LRTU, SHGU, LHGU |
| 3 | 16910ZV4015 | STRAINER COMP., FUEL | | | 001 | SHD, LHD, LRTD, LHGD, SRTU, LRTU, SHGU, LHGU |
| 4 | 16915ZV4000 | SUSPENSION, STRAINER | | | 001 | SHD, LHD, LRTD, LHGD, SRTU, LRTU, SHGU, LHGU |
| 5 | 17930ZV5000 | ARM COMP., THROTTLE | | | 001 | SHD, LHD, LRTD, LHGD, SRTU, LRTU, SHGU, LHGU |
| 6 | 17940ZV7000 | CABLE COMP., NEUTRAL STARTING | | | 001 | SHD, LHD |
| 7 | 17948ZV7000 | BRACKET, NEUTRAL START CABLE | | | 001 | SHD, LHD |
| 8 | 24210ZV1010 | SPRING COMP., CLICK | | | 001 | SHD, LHD, LRTD, LHGD, SRTU, LRTU, SHGU, LHGU |
| 9 | 24221ZV4010 | SPRING, CLICK ASSIST | | | 001 | SHD, LHD, LRTD, LHGD, SRTU, LRTU, SHGU, LHGU |
| 10 | 24610ZV7010 | SHAFT COMP., SHIFT | | | 001 | SHD, LHD, LRTD, LHGD, SRTU, LRTU, SHGU, LHGU |
| 11 | 24611ZV7300 | SHAFT, SHIFT | | | 001 | SHD, LHD, LRTD, LHGD, SRTU, LRTU, SHGU, LHGU |
| 12 | 24621ZV4010 | BUSH, SHAFT | | | 001 | SHD, LHD, LRTD, LHGD, SRTU, LRTU, |

| | | | | | | |
|----|-------------|-------------------------|---------|---------|-----|---|
| | | | | | | SHGU, LHGU |
| 13 | 24625ZV5010 | PLATE, SHIFT | | | 001 | SHD, LHD, LRTD, LHGD, SRTU, LRTU, SHGU, LHGU |
| 14 | 24626ZV5010 | PLATE, SHIFT SHAFT | | | 001 | SHD, LHD, LRTD, LHGD, SRTU, LRTU, SHGU, LHGU |
| 15 | 35600ZV7781 | SWITCH ASSY., NEUTRAL | | | 001 | LRTD, LHGD, SRTU, LRTU, SHGU, LHGU |
| 16 | 35616ZV5010 | BRACKET, NEUTRAL SWITCH | | | 001 | LRTD, LHGD, SRTU, LRTU, SHGU, LHGU |
| 17 | 35618ZV5000 | PLATE, NEUTRAL SWITCH | | | 001 | LRTD, LHGD, SRTU, LRTU, SHGU, LHGU |
| 18 | 90013ZV0010 | BOLT, FLANGE, 6X12 | | | 004 | SHD, LHD, LRTD, LHGD, SRTU, LRTU, SHGU, LHGU |
| 19 | 90013ZV0010 | BOLT, FLANGE, 6X12 | | | 001 | SHD, LHD, LRTD, LHGD, SRTU, LRTU, SHGU, LHGU |
| 20 | 90019ZV1010 | BOLT, FLANGE, 5X10 | | | 001 | SHD, LHD, LRTD, LHGD, SRTU, LRTU, SHGU, LHGU |
| 21 | 90302ZV5003 | NUT, HEX., 20MM | | | 001 | LRTD, LHGD, SRTU, LRTU, SHGU, LHGU |
| 22 | 90508ZV1000 | WASHER, 7.5MM | | | 001 | SHD, LHD, LRTD, LHGD, SRTU, LRTU, SHGU, LHGU |
| 23 | 90603ZV4000 | CLIP, TUBE (B10) | | | 003 | SHD, LHD, LRTD, LHGD, SRTU, LRTU, SHGU, LHGU |
| 24 | 90628750000 | CLIP (14MM) | | | 001 | SHD, LHD, LRTD, LHGD, SRTU, LRTU, SHGU, LHGU |
| 25 | 90756881000 | PIN, SPLIT | | 1005220 | 001 | SHD, LHD, LRTD, LHGD, SRTU, LRTU, SHGU, LHGU |
| 25 | 90759ZV1000 | PIN, SPLIT, 2.0 | | | 001 | SHD, LHD, LRTD, LHGD, SRTU, LRTU, SHGU, LHGU |
| 26 | 9430530203 | PIN, SPRING, 3X20 | | | 002 | SHD, LHD, LRTD, LHGD, SRTU, LRTU, SHGU, LHGU |
| 27 | 90603ZV4000 | CLIP, TUBE (B10) | | 1001372 | 001 | SHD, LHD, LRTD, LHGD |
| 27 | 90604881000 | CLIP, TUBE (B12) | | 1005258 | 001 | SHD, LHD, LRTD, LHGD |
| 27 | 90604ZV0000 | CLIP, TUBE (B12) | 1005259 | | 001 | SHD, LHD, LRTD, LHGD, SRTU, LRTU, SHGU, LHGU |

BF25D4 (ZV7S2 43;13ZV70E1,extZV7S2 43;13ZV70E1,ZV7S2 33;13ZV70E1,extZV7S2 33;13ZV70E1,ZV7S2 G9;13ZV70E1,extZV7S2 G9;13ZV70E1,ZV7S2 H9;13ZV70E1,extZV7S2 H9;13ZV70E1,ZV7S2 G8;13ZV70E1,extZV7S2 G8;13ZV70E1,ZV7S2 H8;13ZV70E1,extZV7S2 H8;13ZV70E1,ZV7S2 13;13ZV70E1,extZV7S2 13;13ZV70E1,ZV7S2 12;13ZV70E1,extZV7S2 12;13ZV70E1)

F-3 EXTENSION CASE

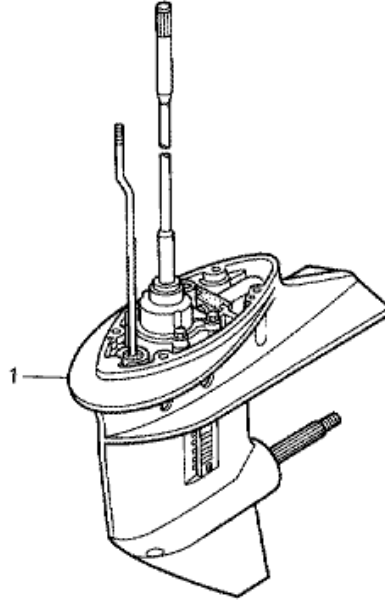


| Refnr | Parça Numarası | Açıklama | İlk numara | Son numara | Birim Adedi | Tipler |
|-------|----------------|--------------------------------|------------|------------|-------------|--|
| 1 | 06412ZV5000 | TAB KIT, TRIM | | | (1) | SHD, LHD, LRTD, LHGD, SRTU, LRTU, SHGU, LHGU |
| 2 | 19280ZV5000 | TUBE COMP., WATER BOTTOM | | | 001 | SHD, LHD, LRTD, LHGD, SRTU, LRTU, SHGU, LHGU |
| 3 | 19286ZV5000 | PLATE, RUBBER SETTING | | | 001 | SHD, LHD, LRTD, LHGD, SRTU, LRTU, SHGU, LHGU |
| 4 | 40201ZV7010ZA | CASE, EXTENSION (S) *NH282MU * | 1001116 | | 001 | SHD, SRTU, SHGU |
| 4 | 40201ZV7020ZA | CASE, EXTENSION (S) *NH282MU * | 1011092 | | 001 | SRTU, SHGU |
| 4 | 40201ZV7721ZA | CASE, EXTENSION (L) *NH282MU * | 1001116 | 1011068 | 001 | LHD, LRTD, LHGD, LRTU, LHGU |
| 4 | 40201ZV7722ZA | CASE, EXTENSION (L) *NH282MU * | 1011069 | | 001 | LRTD, LHGD, LRTU, LHGU |
| 4 | 40201ZW2F00ZA | CASE, EXTENSION (S) *NH282MU * | | 1001115 | 001 | SHD |
| 4 | 40201ZW2F30ZA | CASE, EXTENSION (L) *NH282MU * | | 1001115 | 001 | LHD, LRTD, LHGD |
| 5 | 40209ZV5000 | RUBBER, DRAIN PLUG | | | 001 | SHD, LHD, LRTD, LHGD, SRTU, LRTU, SHGU, LHGU |
| 6 | 40219ZV5003 | WIRE, LEAD (1.2X116MM) | | 1005217 | 001 | SRTU, LRTU, SHGU, LHGU |
| 6 | 40219ZY3003 | WIRE, LEAD (1.5X116MM) | | 1006161 | 001 | SHD, LHD, LRTD, LHGD, SRTU, LRTU, SHGU, LHGU |
| 6 | 40219ZY3013 | WIRE, LEAD (1.5X116MM) | 1006162 | | 001 | SHD, LHD, LRTD, LHGD, SRTU, LRTU, SHGU, LHGU |
| 7 | 41101ZV7020ZA | CASE, GEAR *NH282MU * | 1001116 | 1003168 | 001 | SHD, LHD, LRTD, LHGD |
| 7 | 41101ZV7030ZA | CASE, GEAR *NH282MU * | | 1008435 | 001 | SHD, LHD, |

| | | | | | | |
|----|---------------|---|---------|---------|-----|---|
| | | | | | | LRTD, LHGD, SRTU, LRTU, SHGU, LHGU |
| 7 | 41101ZV7040ZA | CASE, GEAR *NH282MU * | 1003706 | | 001 | LRTD, LHGD, SRTU, LRTU, SHGU, LHGU |
| 7 | 41101ZW2F00ZA | CASE, GEAR *NH282MU * | | 1001115 | 001 | SHD, LHD, LRTD, LHGD |
| 8 | 41104ZV5000 | SCREEN, R. WATER | | | 001 | SHD, LHD, LRTD, LHGD, SRTU, LRTU, SHGU, LHGU |
| 9 | 41105ZV5000 | SCREEN, L. WATER | | | 001 | SHD, LHD, LRTD, LHGD, SRTU, LRTU, SHGU, LHGU |
| 10 | 41107ZV5000 | TAB, TRIM | | | 001 | SHD, LHD, LRTD, LHGD, SRTU, LRTU, SHGU, LHGU |
| 11 | 41108ZV4000 | SCREEN, WATER BOTTOM | | | 001 | SHD, LHD, LRTD, LHGD, SRTU, LRTU, SHGU, LHGU |
| 12 | 50111ZV5000ZA | HOUSING, R. LOWER MOUNTING *NH282MU * | | | 002 | SHD, LHD, LRTD, LHGD, SRTU, LRTU, SHGU, LHGU |
| 13 | 50155ZV5000 | RUBBER COMP., LOWER MOUNT | | | 002 | SHD, LHD, LRTD, LHGD, SRTU, LRTU, SHGU, LHGU |
| 14 | 50161ZV5010ZA | HOUSING, LOWER CENTER MOUNTING *NH282MU* | | | 001 | SHD, LHD, LRTD, LHGD, SRTU, LRTU, SHGU, LHGU |
| 15 | 90009ZV5000 | BOLT, HEX., 8X35 | | | 008 | SHD, LHD, LRTD, LHGD, SRTU, LRTU, SHGU, LHGU |
| 16 | 90101ZW9003 | BOLT, OIL CHECK | | | 002 | SHD, LHD, LRTD, LHGD, SRTU, LRTU, SHGU, LHGU |
| 17 | 90106ZV4010 | BOLT, STUD, 5X16 | | | 001 | SHD, LHD, LRTD, LHGD, SRTU, LRTU, SHGU, LHGU |
| 18 | 90115ZV5000 | BOLT, HEX., 8X25 | | 1011617 | 004 | SHD, LHD, LRTD, LHGD, SRTU, LRTU, SHGU, LHGU |
| 19 | 90118ZV5000 | BOLT, HEX., 12X162 | | | 002 | SHD, LHD, LRTD, LHGD, SRTU, LRTU, SHGU, LHGU |
| 20 | 90119ZV5000 | SCREW, PAN, 6X8 | | | 002 | SHD, LHD, LRTD, LHGD, SRTU, LRTU, SHGU, LHGU |
| 21 | 90120ZY3000 | BOLT, DRAIN PLUG | | | 001 | SHD, LHD, LRTD, LHGD, SRTU, LRTU, SHGU, LHGU |
| 22 | 90123ZV5010 | BOLT, HEX., 10X40 | | | 004 | SHD, LHD, LRTD, LHGD, SRTU, LRTU, SHGU, LHGU |
| 23 | 90126ZV5000 | BOLT, HEX., 8X20 | | | 001 | SHD, LHD, LRTD, LHGD, SRTU, LRTU, SHGU, LHGU |
| 24 | 90302ZV4000 | NUT, SELF-LOCK, 5MM | | | 002 | SHD, LHD, LRTD, LHGD, SRTU, LRTU, SHGU, LHGU |

| | | | | | | | |
|----|--------------|----------------------------|--|---------|---------|-----|--|
| 25 | 90308ZV5003 | NUT, SELF-LOCK, 12MM | | | | 002 | SHD, LHD, LRTD, LHGD, SRTU, LRTU, SHGU, LHGU |
| 26 | 90452GK4600 | WASHER, PLAIN, 5MM | | | | 001 | SHD, LHD, LRTD, LHGD, SRTU, LRTU, SHGU, LHGU |
| 27 | 90507ZV4000 | WASHER, PLAIN, 8MM | | | | 013 | SHD, LHD, LRTD, LHGD, SRTU, LRTU, SHGU, LHGU |
| 28 | 90552ZV5000 | WASHER, PLAIN, 12MM | | | | 002 | SHD, LHD, LRTD, LHGD, SRTU, LRTU, SHGU, LHGU |
| 29 | 90559ZV5000 | WASHER, PLAIN, 12MM | | | | 002 | SHD, LHD, LRTD, LHGD, SRTU, LRTU, SHGU, LHGU |
| 30 | 90563ZV5000 | WASHER, PLAIN, 10MM | | | | 004 | SHD, LHD, LRTD, LHGD, SRTU, LRTU, SHGU, LHGU |
| 31 | 90756ZV5000 | DOWEL PIN, 6X10 | | | | 004 | SHD, LHD, LRTD, LHGD, SRTU, LRTU, SHGU, LHGU |
| 32 | 91301216000 | O-RING, 5.5X1.5 | | | 1003168 | 003 | SHD, LHD, LRTD, LHGD |
| 32 | 91301ZW4003 | O-RING, 6.9X1.45 | | 1002197 | | 003 | SHD, LHD, LRTD, LHGD, SRTU, LRTU, SHGU, LHGU |
| 33 | 93700050284J | SCREW, OVAL, 5X28 | | | | 001 | SHD, LHD, LRTD, LHGD, SRTU, LRTU, SHGU, LHGU |
| 34 | 18330ZV7010 | PIPE COMP., EX. | | | 1004231 | 001 | SHD, LHD, LRTD, LHGD, SRTU, LRTU, SHGU, LHGU |
| 34 | 18330ZV7010 | PIPE COMP., EX. | | 1011459 | | 001 | LRTU, LHGU |
| 35 | 18330ZW2000 | PIPE COMP., EX. | | 1004233 | 1004280 | 001 | LRTD, LHGD, LRTU, LHGU |
| 36 | 18333ZV7000 | GASKET, EX. PIPE | | | | 001 | SHD, LHD, LRTD, LHGD, SRTU, LRTU, SHGU, LHGU |
| 37 | 18337ZW2000 | GROMMET, EX. PIPE | | 1011069 | 1011458 | 001 | LRTD, LHGD, LRTU, LHGU |
| 38 | 18338ZW2000 | GROMMET, EX. BREATHER PIPE | | 1004233 | 1004280 | 001 | LRTD, LHGD, LRTU, LHGU |
| 39 | 19252ZV5000 | GROMMET, WATER TUBE | | | | 001 | SHD, LHD, LRTD, LHGD, SRTU, LRTU, SHGU, LHGU |
| 40 | 90115ZV5000 | BOLT, HEX., 8X25 | | | | 002 | SHD, LHD, LRTD, LHGD, SRTU, LRTU, SHGU, LHGU |
| 41 | 90507ZV4000 | WASHER, PLAIN, 8MM | | | | 002 | SHD, LHD, LRTD, LHGD, SRTU, LRTU, SHGU, LHGU |
| 42 | 90101HW1671 | BOLT, FLANGE, 8X25 | | 1011618 | | 004 | LRTD, LHGD, SRTU, LRTU, SHGU, LHGU |

BF25D4 (ZV7S2 43;13ZV70E1,extZV7S2 43;13ZV70E1,ZV7S2 33;13ZV70E1,extZV7S2 33;13ZV70E1,ZV7S2 G9;13ZV70E1,extZV7S2 G9;13ZV70E1,ZV7S2 H9;13ZV70E1,extZV7S2 H9;13ZV70E1,ZV7S2 G8;13ZV70E1,extZV7S2 G8;13ZV70E1,ZV7S2 H8;13ZV70E1,extZV7S2 H8;13ZV70E1,ZV7S2 13;13ZV70E1,extZV7S2 13;13ZV70E1,ZV7S2 12;13ZV70E1,extZV7S2 12;13ZV70E1)

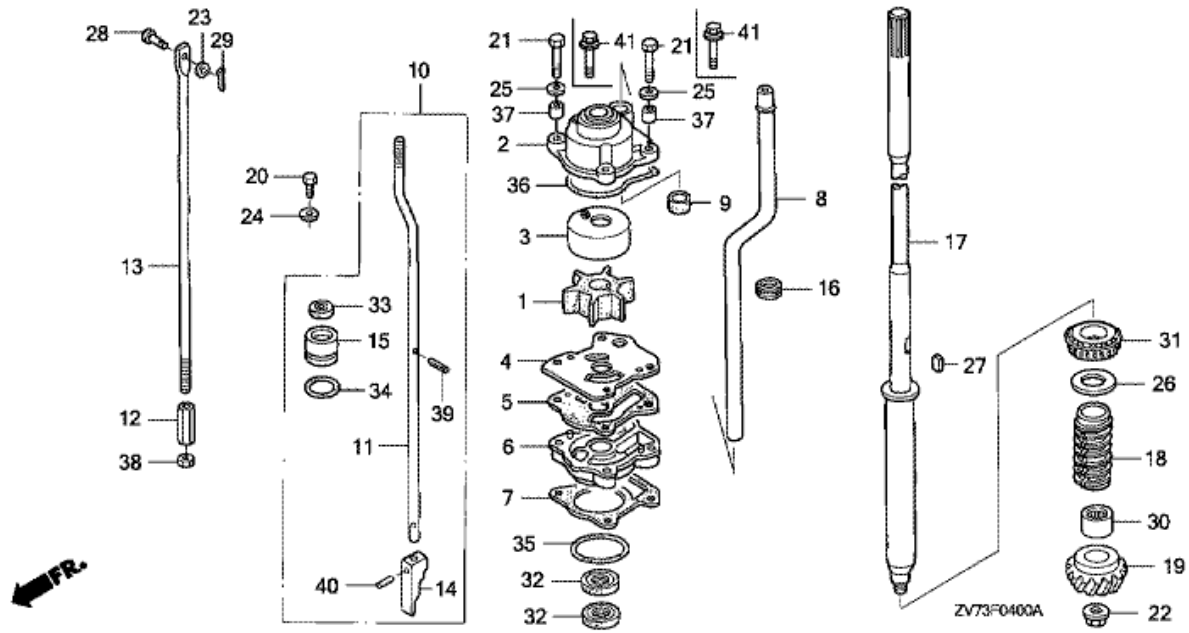


ZV73-F0310

| Refnr | Parça Numarası | Açıklama | İlk numara | Son numara | Birim Adedi | Tipler |
|-------|----------------|--------------------------------------|------------|------------|-------------|-----------------------------|
| 1 | 41100ZV7030ZA | CASE ASSY., GEAR (S TYPE) *NH282MU * | 1001116 | 1002715 | 001 | SHD |
| 1 | 41100ZV7040ZA | CASE ASSY., GEAR (S TYPE) *NH282MU * | 1002041 | 1002196 | 001 | SHD |
| 1 | 41100ZV7050ZA | CASE ASSY., GEAR (S TYPE) *NH282MU * | 1003208 | 1008435 | 001 | SHD, SRTU, SHGU |
| 1 | 41100ZV7070ZA | CASE ASSY., GEAR (S TYPE) *NH282MU* | 1009448 | 1010415 | 001 | SRTU, SHGU |
| 1 | 41100ZV7080ZA | CASE ASSY., GEAR (S TYPE) *NH282MU* | 1010416 | | 001 | SRTU, SHGU |
| 1 | 41100ZV7303ZA | CASE ASSY., GEAR (S TYPE) *NH282MU* | 1008436 | 1009447 | 001 | SRTU, SHGU |
| 1 | 41100ZV7304ZA | CASE ASSY., GEAR (L TYPE) *NH282MU* | 1008436 | 1009447 | 001 | LRTD, LHGD, LRTU, LHGU |
| 1 | 41100ZV7723ZA | CASE ASSY., GEAR (L TYPE) *NH282MU * | 1001116 | 1002715 | 001 | LHD, LRTD, LHGD |
| 1 | 41100ZV7724ZA | CASE ASSY., GEAR (L TYPE) *NH282MU * | 1002041 | 1002245 | 001 | LHD, LRTD, LHGD |
| 1 | 41100ZV7725ZA | CASE ASSY., GEAR (L TYPE) *NH282MU * | 1003169 | | 001 | LHD, LRTD, LHGD, LRTU, LHGU |
| 1 | 41100ZV7727ZA | CASE ASSY., GEAR (L TYPE) *NH282MU* | 1009448 | 1010428 | 001 | LRTD, LHGD, LRTU, LHGU |
| 1 | 41100ZV7728ZA | CASE ASSY., GEAR (L TYPE) *NH282MU* | 1004116 | | 001 | LRTD, LHGD, LRTU, LHGU |

BF25D4 (ZV7S2 43;13ZV70E1,extZV7S2 43;13ZV70E1,ZV7S2 33;13ZV70E1,extZV7S2 33;13ZV70E1,ZV7S2 G9;13ZV70E1,extZV7S2 G9;13ZV70E1,ZV7S2 H9;13ZV70E1,extZV7S2 H9;13ZV70E1,ZV7S2 G8;13ZV70E1,extZV7S2 G8;13ZV70E1,ZV7S2 H8;13ZV70E1,extZV7S2 H8;13ZV70E1,ZV7S2 13;13ZV70E1,extZV7S2 13;13ZV70E1,ZV7S2 12;13ZV70E1,extZV7S2 12;13ZV70E1)

F-4 WATER PUMP



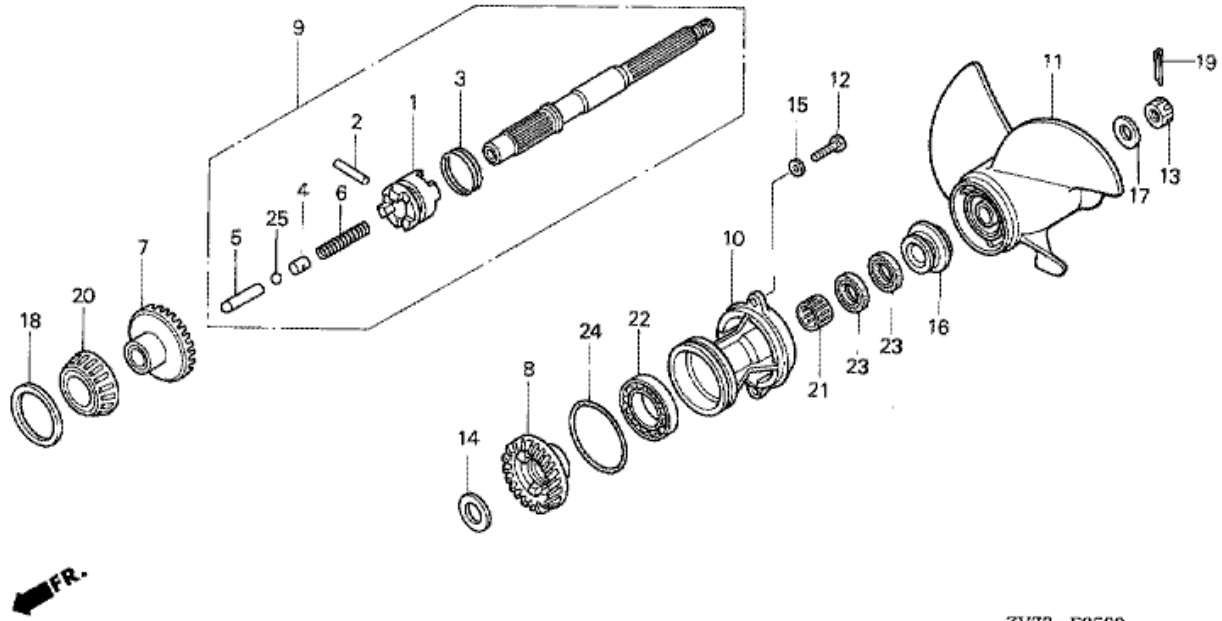
| Refnr | Parça Numarası | Açıklama | İlk numara | Son numara | Birim Adedi | Tipler |
|-------|----------------|-----------------------|------------|------------|-------------|--|
| 1 | 19210ZV7003 | IMPELLER, PUMP | | | 001 | SHD, LHD, LRTD, LHGD, SRTU, LRTU, SHGU, LHGU |
| 2 | 19221ZV5000 | HOUSING, IMPELLER | | | 001 | SHD, LHD, LRTD, LHGD, SRTU, LRTU, SHGU, LHGU |
| 3 | 19223ZV5000 | LINER, PUMP | | | 001 | SHD, LHD, LRTD, LHGD, SRTU, LRTU, SHGU, LHGU |
| 4 | 19231ZV7000 | COVER, IMPELLER | | | 001 | SHD, LHD, LRTD, LHGD, SRTU, LRTU, SHGU, LHGU |
| 5 | 19233ZV5000 | GASKET B, IMPELLER | | | 001 | SHD, LHD, LRTD, LHGD, SRTU, LRTU, SHGU, LHGU |
| 6 | 19241ZV5000 | HOUSING, WATER PUMP | | | 001 | SHD, LHD, LRTD, LHGD, SRTU, LRTU, SHGU, LHGU |
| 7 | 19242ZV5000 | GASKET, WATER PUMP | | | 001 | SHD, LHD, LRTD, LHGD, SRTU, LRTU, SHGU, LHGU |
| 8 | 19251ZV7010 | TUBE, WATER (S) | | | 001 | SHD, SRTU, SHGU |
| 8 | 19251ZV7721 | TUBE, WATER (L) | | | 001 | LHD, LRTD, LHGD, LRTU, LHGU |
| 9 | 19253ZV5000 | RING, WATER TUBE SEAL | | | 001 | SHD, LHD, LRTD, LHGD, SRTU, LRTU, SHGU, LHGU |
| 10 | 24310ZV7020 | ROD COMP., SHIFT (S) | | 1003207 | 001 | SHD |
| 10 | 24310ZV7030 | ROD COMP., SHIFT (S) | 1003208 | | 001 | SHD, SRTU, SHGU |
| 10 | 24310ZV7722 | ROD COMP., SHIFT (L) | | 1002245 | 001 | LHD, LRTD, |

| | | | | | | |
|----|-------------|-------------------------|---------|---------|-----|---|
| | | | | | | LHGD |
| 10 | 24310ZV7723 | ROD COMP., SHIFT (L) | 1003169 | | 001 | LHD, LRTD, LHGD, LRTU, LHGU |
| 11 | 24311ZV7320 | ROD B, SHIFT (S) (###) | | 1003207 | 001 | SHD |
| 11 | 24311ZV7330 | ROD B, SHIFT (S) | | | 001 | SHD, SRTU, SHGU |
| 11 | 24311ZV7722 | ROD B, SHIFT (L) (###) | | 1002245 | 001 | LHD, LRTD, LHGD |
| 11 | 24311ZV7723 | ROD B, SHIFT (L) | 1003169 | | 001 | LHD, LRTD, LHGD, LRTU, LHGU |
| 12 | 24312ZV7000 | JOINT, SHIFT ROD | | | 001 | SHD, LHD, LRTD, LHGD, SRTU, LRTU, SHGU, LHGU |
| 13 | 24320ZV7000 | ROD A, SHIFT | | | 001 | SHD, LHD, LRTD, LHGD, SRTU, LRTU, SHGU, LHGU |
| 14 | 24341ZV7320 | ROD, PUSH | | | 001 | SHD, LHD, LRTD, LHGD, SRTU, LRTU, SHGU, LHGU |
| 15 | 24343ZV7300 | HOLDER, SEAL | | 1003168 | 001 | SHD, LHD, LRTD, LHGD |
| 15 | 24343ZV7310 | HOLDER, SEAL | 1003169 | | 001 | SHD, LHD, LRTD, LHGD, SRTU, LRTU, SHGU, LHGU |
| 16 | 40204ZV5000 | GROMMET, EXTENSION CASE | | | 001 | SHD, LHD, LRTD, LHGD, SRTU, LRTU, SHGU, LHGU |
| 17 | 41112ZV7000 | SHAFT, VERTICAL (S) | | | 001 | SHD, SRTU, SHGU |
| 17 | 41112ZV7720 | SHAFT, VERTICAL (L) | | | 001 | LHD, LRTD, LHGD, LRTU, LHGU |
| 18 | 41116ZV5000 | SLINGER, OIL | | | 001 | SHD, LHD, LRTD, LHGD, SRTU, LRTU, SHGU, LHGU |
| 19 | 41131ZV7000 | PINION | | | 001 | SHD, LHD, LRTD, LHGD, SRTU, LRTU, SHGU, LHGU |
| 20 | 90105881000 | BOLT, HEX., 6X12 | | | 001 | SHD, LHD, LRTD, LHGD, SRTU, LRTU, SHGU, LHGU |
| 21 | 90114881000 | BOLT, HEX., 6X40 | | 1008435 | 004 | SHD, LHD, LRTD, LHGD, SRTU, LRTU, SHGU, LHGU |
| 22 | 90303ZV7000 | NUT, SPECIAL (10MM) | | | 001 | SHD, LHD, LRTD, LHGD, SRTU, LRTU, SHGU, LHGU |
| 23 | 90452GK4600 | WASHER, PLAIN, 5MM | | | 001 | SHD, LHD, LRTD, LHGD, SRTU, LRTU, SHGU, LHGU |
| 24 | 90512ZV4000 | WASHER, PLAIN, 6MM | | 1006918 | 001 | SHD, LHD, LRTD, LHGD, SRTU, LRTU, SHGU, LHGU |
| 24 | 90512ZW2000 | WASHER, SPECIAL | | | 001 | SHD, LHD, LRTD, LHGD, SRTU, LRTU, SHGU, LHGU |
| 25 | 90512921010 | WASHER, 6MM | | 1003705 | 004 | SHD, LHD, LRTD, LHGD, SRTU, LRTU, SHGU, LHGU |

| | | | | | | |
|----|--------------|------------------------------|---------|---------|-----|--|
| 26 | 90518ZV5000 | SHIM, GEAR (A) (40X46X0.10) | | | 001 | SHD, LHD, LRTD, LHGD, SRTU, LRTU, SHGU, LHGU |
| 26 | 90519ZV5000 | SHIM, GEAR (B) (40X46X0.15) | | | 001 | SHD, LHD, LRTD, LHGD, SRTU, LRTU, SHGU, LHGU |
| 26 | 90520ZV5000 | SHIM, GEAR (C) (40X46X0.30) | | | 001 | SHD, LHD, LRTD, LHGD, SRTU, LRTU, SHGU, LHGU |
| 26 | 90521ZV5000 | SHIM, GEAR (D) (40X46X0.50) | | | 001 | SHD, LHD, LRTD, LHGD, SRTU, LRTU, SHGU, LHGU |
| 27 | 90752ZV7000 | KEY, WOODRUFF, 5MM | | | 001 | SHD, LHD, LRTD, LHGD, SRTU, LRTU, SHGU, LHGU |
| 28 | 90754921010 | PIN, 5X17 | | | 001 | SHD, LHD, LRTD, LHGD, SRTU, LRTU, SHGU, LHGU |
| 29 | 90756921000 | PIN, SPLIT, 1.6MM | | | 001 | SHD, LHD, LRTD, LHGD, SRTU, LRTU, SHGU, LHGU |
| 30 | 91052ZV5003 | BEARING, NEEDLE (7/8X11/8X1) | | | 001 | SHD, LHD, LRTD, LHGD, SRTU, LRTU, SHGU, LHGU |
| 31 | 91054ZV5003 | BEARING, 25X47X15 | | | 001 | SHD, LHD, LRTD, LHGD, SRTU, LRTU, SHGU, LHGU |
| 32 | 91251ZV5003 | SEAL, WATER, 17X30X7 | | | 002 | SHD, LHD, LRTD, LHGD, SRTU, LRTU, SHGU, LHGU |
| 33 | 91253921003 | WATER SEAL, 6MM | | 1003168 | 001 | SHD, LHD, LRTD, LHGD |
| 33 | 91253ZW9003 | SEAL, WATER, 6MM | 1003169 | | 001 | SHD, LHD, LRTD, LHGD, SRTU, LRTU, SHGU, LHGU |
| 34 | 91306921000 | O-RING, 20.8X2.4 | | | 001 | SHD, LHD, LRTD, LHGD, SRTU, LRTU, SHGU, LHGU |
| 35 | 91351740003 | O-RING, 41.7X3.5 | | | 001 | SHD, LHD, LRTD, LHGD, SRTU, LRTU, SHGU, LHGU |
| 36 | 91356ZV5000 | O-RING, WATER PUMP | | | 001 | SHD, LHD, LRTD, LHGD, SRTU, LRTU, SHGU, LHGU |
| 37 | 91555ZV5000 | COLLAR, IMPELLER HOUSING | | | 004 | SHD, LHD, LRTD, LHGD, SRTU, LRTU, SHGU, LHGU |
| 38 | 94001064900S | NUT, HEX., 6MM | | | 001 | SHD, LHD, LRTD, LHGD, SRTU, LRTU, SHGU, LHGU |
| 39 | 9430520122 | PIN, SPRING, 2X12 | | | 001 | SHD, LHD, LRTD, LHGD, SRTU, LRTU, SHGU, LHGU |
| 40 | 9622025118 | ROLLER, 2.5X11.8 | | | 001 | SHD, LHD, LRTD, LHGD, SRTU, LRTU, SHGU, LHGU |
| 41 | 90103ZY1000 | BOLT-WASHER, 6X40 | 1003706 | | 004 | LRTD, LHGD, SRTU, LRTU, |

BF25D4 (ZV7S2 43;13ZV70E1,extZV7S2 43;13ZV70E1,ZV7S2 33;13ZV70E1,extZV7S2 33;13ZV70E1,ZV7S2 G9;13ZV70E1,extZV7S2 G9;13ZV70E1,ZV7S2 H9;13ZV70E1,extZV7S2 H9;13ZV70E1,ZV7S2 G8;13ZV70E1,extZV7S2 G8;13ZV70E1,ZV7S2 H8;13ZV70E1,extZV7S2 H8;13ZV70E1,ZV7S2 13;13ZV70E1,extZV7S2 13;13ZV70E1,ZV7S2 12;13ZV70E1,extZV7S2 12;13ZV70E1)

F-5 PROPELLER SHAFT/PROPELLER



ZV73--F0500

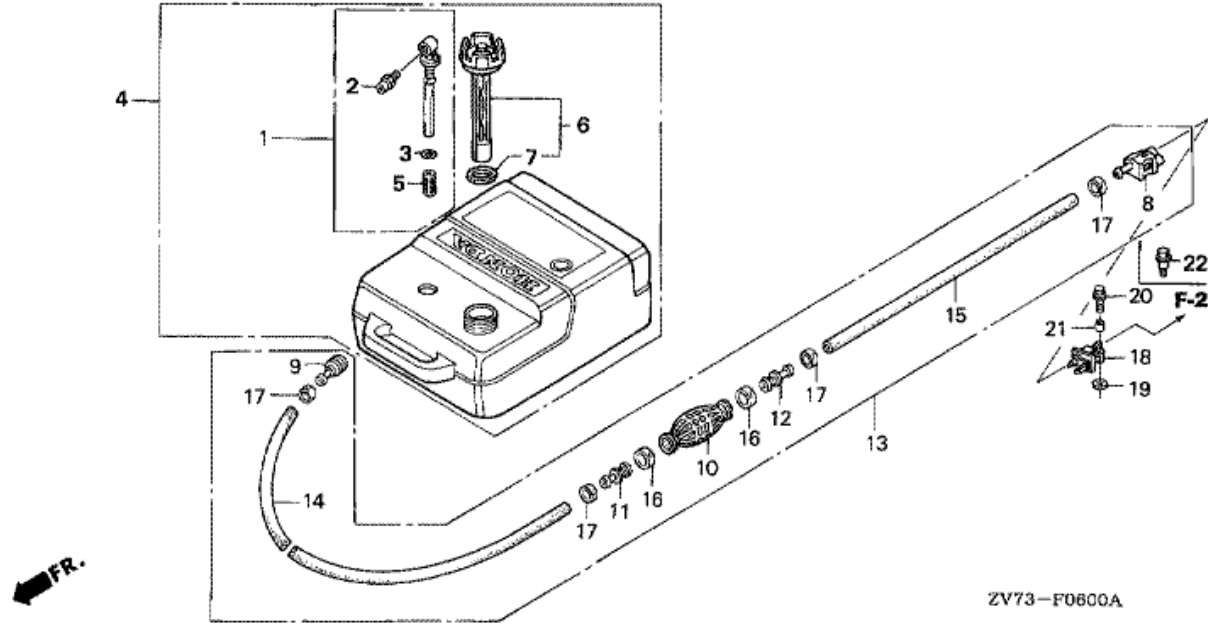
| Refnr | Parça Numarası | Açıklama | İlk numara | Son numara | Birim Adedi | Tipler |
|-------|----------------|-----------------------|------------|------------|-------------|--|
| 1 | 24101ZV7010 | SHIFTER, CLUTCH | | 1004115 | 001 | SHD, LHD, LRTD, LHGD, SRTU, LRTU, SHGU, LHGU |
| 1 | 24101ZV7020 | SHIFTER, CLUTCH | 1010416 | | 001 | LRTD, LHGD, SRTU, LRTU, SHGU, LHGU |
| 2 | 24102ZV7000 | PIN, SHIFTER | | | 001 | SHD, LHD, LRTD, LHGD, SRTU, LRTU, SHGU, LHGU |
| 3 | 24103ZV7000 | RING, CROSS PIN | | | 001 | SHD, LHD, LRTD, LHGD, SRTU, LRTU, SHGU, LHGU |
| 4 | 24106ZV5000 | HOLDER, SHIFTER PIN | | | 001 | SHD, LHD, LRTD, LHGD, SRTU, LRTU, SHGU, LHGU |
| 5 | 24122ZV7000 | SLIDER, SHIFT | | | 001 | SHD, LHD, LRTD, LHGD, SRTU, LRTU, SHGU, LHGU |
| 6 | 24123ZV5003 | SPRING, SHIFT | | | 001 | SHD, LHD, LRTD, LHGD, SRTU, LRTU, SHGU, LHGU |
| 7 | 41145ZV7000 | GEAR COMP., FR. BEVEL | | | 001 | SHD, LHD, LRTD, LHGD, SRTU, LRTU, SHGU, LHGU |
| 7 | 41145ZV7010 | GEAR COMP., FR. BEVEL | 1008436 | | 001 | LRTD, LHGD, SRTU, LRTU, SHGU, LHGU |
| 8 | 41151ZV7010 | GEAR, RR. BEVEL | | 1008435 | 001 | SHD, LHD, LRTD, LHGD, SRTU, LRTU, SHGU, LHGU |
| 8 | 41151ZV7020 | GEAR, RR. BEVEL | 1003706 | | 001 | LRTD, LHGD, SRTU, LRTU, SHGU, LHGU |

| | | | | | | |
|----|---------------|---|---------|---------|-----|--|
| 9 | 41160ZV7010 | SHAFT ASSY., PROPELLER | | 1008435 | 001 | SHD, LHD, LRTD, LHGD, SRTU, LRTU, SHGU, LHGU |
| 9 | 41160ZV7020 | SHAFT ASSY., PROPELLER | 1008436 | 1009447 | 001 | LRTD, LHGD, SRTU, LRTU, SHGU, LHGU |
| 9 | 41160ZV7030 | SHAFT ASSY., PROPELLER | 1009448 | 1010415 | 001 | LRTD, LHGD, SRTU, LRTU, SHGU, LHGU |
| 9 | 41160ZV7040 | SHAFT ASSY., PROPELLER | 1010429 | | 001 | LRTD, LHGD, SRTU, LRTU, SHGU, LHGU |
| 10 | 41201ZV7010ZA | HOLDER, PROPELLER SHAFT *NH282MU * | | | 001 | SHD, LHD, LRTD, LHGD, SRTU, LRTU, SHGU, LHGU |
| 11 | 58130ZV7000ZA | PROPELLER COMP., THREE BLADES (9-1/4X12) (91X120) *NH283 * | | | 001 | SHD, LHD, LRTD, LHGD, SRTU, LRTU, SHGU, LHGU |
| 11 | 58130ZV7850ZA | PROPELLER COMP., THREE BLADES (9-3/4X9-7/8) (98X99) *NH283* | | | (1) | SHD, LHD, LRTD, LHGD, SRTU, LRTU, SHGU, LHGU |
| 11 | 58130ZV7860ZB | PROPELLER COMP., THREE BLADES (10X8-1/4) (100X83) *NH283* | | | (1) | SHD, LHD, LRTD, LHGD, SRTU, LRTU, SHGU, LHGU |
| 11 | 58130ZW2F01ZA | PROPELLER COMP., THREE BLADES (9-7/8X12) *NH283 * | | | (1) | SHD, LHD, LRTD, LHGD, SRTU, LRTU, SHGU, LHGU |
| 11 | 58130ZW2F11ZA | PROPELLER COMP., THREE BLADES (9-7/8X9) *NH283 * | | | (1) | SHD, LHD, LRTD, LHGD, SRTU, LRTU, SHGU, LHGU |
| 11 | 58130ZW2F21ZA | PROPELLER COMP., THREE BLADES (9-7/8X10) *NH283 * | | | (1) | SHD, LHD, LRTD, LHGD, SRTU, LRTU, SHGU, LHGU |
| 11 | 58130ZW2F31ZA | PROPELLER COMP., THREE BLADES (9-7/8X11) *NH283 * | | | (1) | SHD, LHD, LRTD, LHGD, SRTU, LRTU, SHGU, LHGU |
| 11 | 58130ZW2F41ZA | PROPELLER COMP., THREE BLADES (9-7/8X13) *NH283 * | | | (1) | SHD, LHD, LRTD, LHGD, SRTU, LRTU, SHGU, LHGU |
| 12 | 90124ZV4000 | BOLT, HEX., 6X20 | | | 002 | SHD, LHD, LRTD, LHGD, SRTU, LRTU, SHGU, LHGU |
| 13 | 90301ZV7000 | NUT, CASTLE | | | 001 | SHD, LHD, LRTD, LHGD, SRTU, LRTU, SHGU, LHGU |
| 14 | 90503ZV5000 | WASHER, 22MM | | | 001 | SHD, LHD, LRTD, LHGD, SRTU, LRTU, SHGU, LHGU |
| 15 | 90506ZV4000 | WASHER, PLAIN, 6MM | | | 002 | SHD, LHD, LRTD, LHGD, SRTU, LRTU, SHGU, LHGU |
| 16 | 90506ZV7000 | WASHER, PROPELLER THRUST | | 1008435 | 001 | SHD, LHD, LRTD, LHGD, SRTU, LRTU, SHGU, LHGU |
| 16 | 90506ZV7010 | WASHER, PROPELLER THRUST | 1008436 | 1009447 | 001 | LRTD, LHGD, SRTU, LRTU, SHGU, LHGU |
| 16 | 90506ZV7020 | WASHER, PROPELLER THRUST | 1003957 | | 001 | LRTD, LHGD, SRTU, LRTU, SHGU, LHGU |
| 17 | 90508ZV7000 | WASHER | | | 001 | SHD, LHD, |

| | | | | | | |
|----|-------------|---------------------------------------|---------|---------|-----|---|
| | | | | | | LRTD, LHGD, SRTU, LRTU, SHGU, LHGU |
| 18 | 90528ZV5000 | SHIM, FR. BEVEL (A) (51X57X0.10) | | | 001 | SHD, LHD, LRTD, LHGD, SRTU, LRTU, SHGU, LHGU |
| 18 | 90529ZV5000 | SHIM, FR. BEVEL (B) (51X57X0.15) | | | 001 | SHD, LHD, LRTD, LHGD, SRTU, LRTU, SHGU, LHGU |
| 18 | 90530ZV5000 | SHIM, FR. BEVEL (C) (51X57X0.30) | | | 001 | SHD, LHD, LRTD, LHGD, SRTU, LRTU, SHGU, LHGU |
| 18 | 90531ZV5000 | SHIM, FR. BEVEL (D) (51X57X0.50) | | | 001 | SHD, LHD, LRTD, LHGD, SRTU, LRTU, SHGU, LHGU |
| 19 | 90758ZV1000 | PIN, SPLIT | | | 001 | SHD, LHD, LRTD, LHGD, SRTU, LRTU, SHGU, LHGU |
| 20 | 91051ZV5003 | BEARING, 32X58X17 | | | 001 | SHD, LHD, LRTD, LHGD, SRTU, LRTU, SHGU, LHGU |
| 21 | 91053ZV5003 | BEARING, NEEDLE, 22X28X20 | | | 001 | SHD, LHD, LRTD, LHGD, SRTU, LRTU, SHGU, LHGU |
| 22 | 91062HA7672 | BEARING, RADIAL BALL, 32X58X13 (KOYO) | | | 001 | SHD, LHD, LRTD, LHGD, SRTU, LRTU, SHGU, LHGU |
| 23 | 91252ZV5003 | SEAL, WATER, 22X35X7 | | 1002715 | 002 | SHD, LHD, LRTD, LHGD |
| 23 | 91252ZW4003 | SEAL, WATER, 22X35X7 | 1002716 | | 002 | SHD, LHD, LRTD, LHGD, SRTU, LRTU, SHGU, LHGU |
| 24 | 91351ZV7003 | O-RING, 64X3 | | | 001 | SHD, LHD, LRTD, LHGD, SRTU, LRTU, SHGU, LHGU |
| 25 | 9621111000 | BALL, STEEL, #11 (11/32) | | | 001 | SHD, LHD, LRTD, LHGD, SRTU, LRTU, SHGU, LHGU |

BF25D4 (ZV7S2 43;13ZV70E1,extZV7S2 43;13ZV70E1,ZV7S2 33;13ZV70E1,extZV7S2 33;13ZV70E1,ZV7S2 G9;13ZV70E1,extZV7S2 G9;13ZV70E1,ZV7S2 H9;13ZV70E1,extZV7S2 H9;13ZV70E1,ZV7S2 G8;13ZV70E1,extZV7S2 G8;13ZV70E1,ZV7S2 H8;13ZV70E1,extZV7S2 H8;13ZV70E1,ZV7S2 13;13ZV70E1,extZV7S2 13;13ZV70E1,ZV7S2 12;13ZV70E1,extZV7S2 12;13ZV70E1)

F-6 FUEL TANK

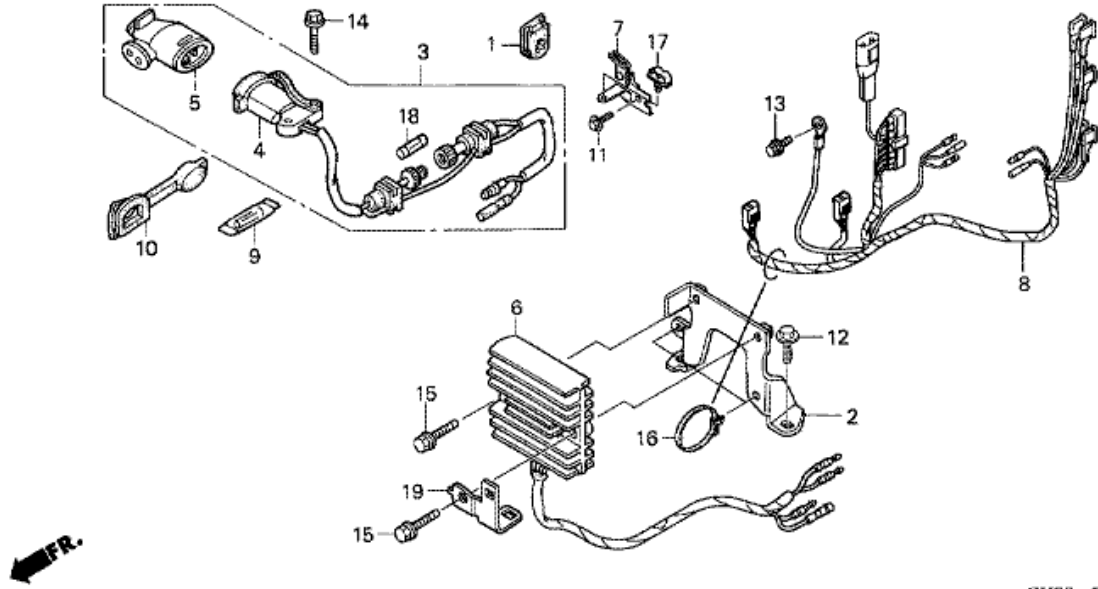


| Refnr | Parça Numarası | Acıklama | İlk numara | Son numara | Birim Adedi | Tipler |
|-------|----------------|---------------------------|------------|------------|-------------|--|
| 1 | 16900ZV5902 | JOINT ASSY., FUEL | | | 001 | SHD, LHD, LRTD, LHGD, SRTU, LRTU, SHGU, LHGU |
| 2 | 16977ZV5A00 | FITTING, QUICK DISCONNECT | | | 001 | SHD, LHD, LRTD, LHGD, SRTU, LRTU, SHGU, LHGU |
| 3 | 16979ZV5901 | O-RING | | | 001 | SHD, LHD, LRTD, LHGD, SRTU, LRTU, SHGU, LHGU |
| 4 | 17500ZV5902 | TANK ASSY., FUEL | | 1002158 | 001 | SHD, LHD, LRTD, LHGD |
| 4 | 17500ZV5903 | TANK ASSY., FUEL | 1001862 | 1003551 | 001 | SHD, LHD, LRTD, LHGD, SRTU, LRTU, SHGU, LHGU |
| 4 | 17500ZV5904 | TANK ASSY., FUEL | 1007830 | 1012650 | 001 | SHD, LHD, LRTD, LHGD, SRTU, LRTU, SHGU, LHGU |
| 4 | 17500ZV5905 | TANK ASSY., FUEL | 1012651 | | 001 | LRTD, LHGD, SRTU, LRTU, SHGU, LHGU |
| 5 | 17583ZV5901 | FILTER, FUEL | | | 001 | SHD, LHD, LRTD, LHGD, SRTU, LRTU, SHGU, LHGU |
| 6 | 17620ZV5901 | CAP COMP., FUEL FILLER | | 1002158 | 001 | SHD, LHD, LRTD, LHGD |
| 6 | 17620ZV5902 | CAP COMP., FUEL FILLER | | 1012650 | 001 | SHD, LHD, LRTD, LHGD, SRTU, LRTU, SHGU, LHGU |
| 6 | 17620ZV5903 | CAP COMP., FUEL FILLER | 1012651 | | 001 | LRTD, LHGD, SRTU, LRTU, SHGU, LHGU |
| 7 | 17624ZV5901 | PACKING, FUEL CAP | | 1002158 | 001 | SHD, LHD, LRTD, LHGD |
| 7 | 17624ZV5902 | PACKING, FUEL CAP | 1002159 | | 001 | SHD, LHD, |

| | | | | | | |
|----|-------------|-----------------------------|---------|---------|-----|---|
| | | | | | | LRTD, LHGD, SRTU, LRTU, SHGU, LHGU |
| 8 | 17650ZW9013 | CONNECTOR ASSY., FUEL (A) | | 1003728 | 001 | SHD, LHD, LRTD, LHGD, SRTU, LRTU, SHGU, LHGU |
| 8 | 17650ZW9023 | CONNECTOR ASSY., FUEL (A) | 1008766 | | 001 | LRTD, LHGD, SRTU, LRTU, SHGU, LHGU |
| 9 | 17660ZW9003 | CONNECTOR COMP., FUEL | | | 001 | SHD, LHD, LRTD, LHGD, SRTU, LRTU, SHGU, LHGU |
| 10 | 17661921010 | BULB, PRIMER | | | 001 | SHD, LHD, LRTD, LHGD, SRTU, LRTU, SHGU, LHGU |
| 11 | 17665ZV5000 | VALVE COMP., IN. | | | 001 | SHD, LHD, LRTD, LHGD, SRTU, LRTU, SHGU, LHGU |
| 12 | 17680ZV4000 | VALVE COMP., OUTLET | | | 001 | SHD, LHD, LRTD, LHGD, SRTU, LRTU, SHGU, LHGU |
| 13 | 17700ZW9020 | TUBE ASSY., FUEL | | | 001 | SHD, LHD, LRTD, LHGD, SRTU, LRTU, SHGU, LHGU |
| 13 | 17700ZW9030 | TUBE ASSY., FUEL | 1003729 | | 001 | LRTD, LHGD, SRTU, LRTU, SHGU, LHGU |
| 14 | 17701ZV5000 | TUBE, FUEL LONG (7.3X2000) | | | 001 | SHD, LHD, LRTD, LHGD, SRTU, LRTU, SHGU, LHGU |
| 15 | 17702ZV4000 | TUBE, FUEL SHORT (6.3X500) | | | 001 | SHD, LHD, LRTD, LHGD, SRTU, LRTU, SHGU, LHGU |
| 16 | 17703921010 | BAND, TUBE CLIP, 20MM | | | 002 | SHD, LHD, LRTD, LHGD, SRTU, LRTU, SHGU, LHGU |
| 17 | 17704ZV4010 | BAND, TUBE CLIP, 12.5MM | | | 004 | SHD, LHD, LRTD, LHGD, SRTU, LRTU, SHGU, LHGU |
| 18 | 17710ZW9033 | CONNECTOR ASSY., FUEL (B) | | | 001 | SHD, LHD, LRTD, LHGD, SRTU, LRTU, SHGU, LHGU |
| 19 | 17936921000 | WASHER, PIVOT | | | 001 | SHD, LHD, LRTD, LHGD, SRTU, LRTU, SHGU, LHGU |
| 20 | 90013ZV4010 | BOLT, FLANGE, 6X20 | | 1004401 | 001 | SHD, LHD, LRTD, LHGD |
| 21 | 91551ZV4000 | COLLAR, DISTANCE (6MM) | | 1004401 | 001 | SHD, LHD, LRTD, LHGD |
| 22 | 90112ZY1000 | BOLT, SPECIAL, 6X22 (CT200) | 1004402 | | 001 | SHD, LHD, LRTD, LHGD, SRTU, LRTU, SHGU, LHGU |

BF25D4 (ZV7S2 43;13ZV70E1,extZV7S2 43;13ZV70E1,ZV7S2 33;13ZV70E1,extZV7S2 33;13ZV70E1,ZV7S2 G9;13ZV70E1,extZV7S2 G9;13ZV70E1,ZV7S2 H9;13ZV70E1,extZV7S2 H9;13ZV70E1,ZV7S2 G8;13ZV70E1,extZV7S2 G8;13ZV70E1,ZV7S2 H8;13ZV70E1,extZV7S2 H8;13ZV70E1,ZV7S2 13;13ZV70E1,extZV7S2 13;13ZV70E1,ZV7S2 12;13ZV70E1,extZV7S2 12;13ZV70E1)

F-7 REGULATOR (1)

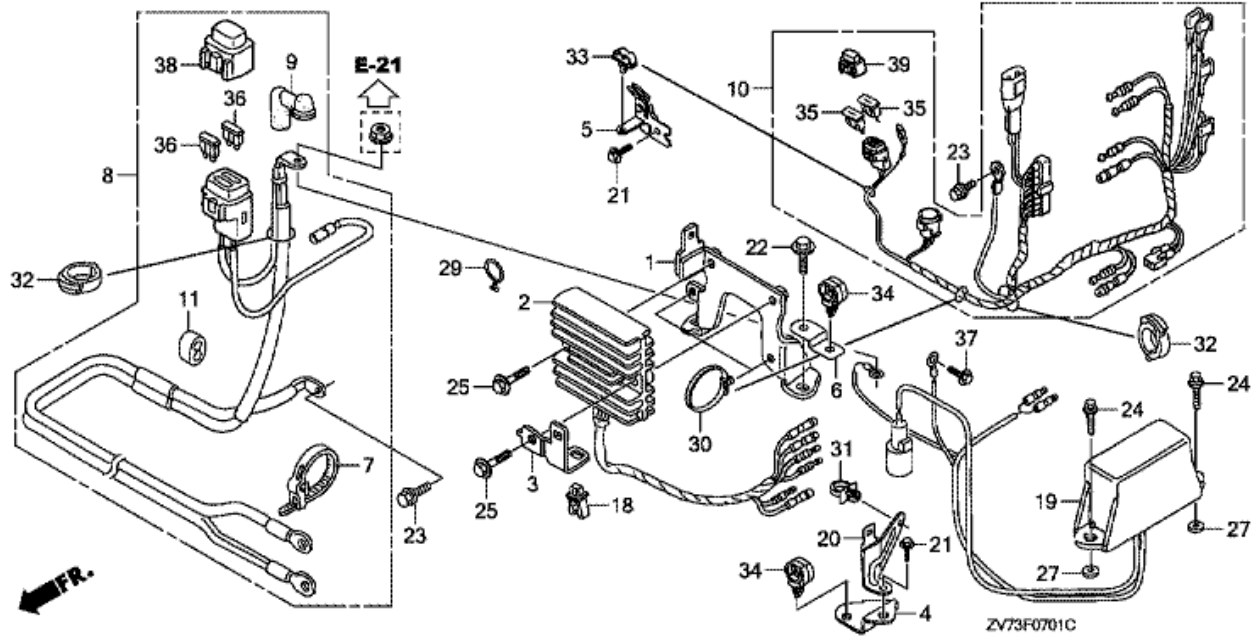


ZV73-F0700A

| Refnr | Parça Numarası | Acıklama | İlk numara | Son numara | Birim Adedi | Tipler |
|-------|----------------|----------------------------------|------------|------------|-------------|----------|
| 1 | 30564ZA5000 | GROMMET, CORD | | | 001 | SHD, LHD |
| 2 | 31604ZV7010 | BRACKET, REGULATOR | | | 001 | SHD, LHD |
| 3 | 31650ZV7013 | RECEPTACLE ASSY., CHARGE | | | 001 | SHD, LHD |
| 4 | 31651ZV7003 | CONSENT | | | 001 | SHD, LHD |
| 5 | 31652881024 | PLUG, CONSENT | | | 001 | SHD, LHD |
| 6 | 31750ZW2F31 | RECTIFIER ASSY., REGULATOR (12A) | | | 001 | SHD, LHD |
| 7 | 32112ZW2F00 | BRACKET, FUSE CASE | | | 001 | SHD, LHD |
| 8 | 32150ZW2F30 | CABLE ASSY., C.D.I. UNIT (1) | | | 001 | SHD, LHD |
| 9 | 38207ZV4000 | FUSE, SPARE (15A) | | | 001 | SHD, LHD |
| 10 | 40107ZV7000 | GROMMET, UNDER CASE (C) | | | 001 | SHD, LHD |
| 11 | 90011ZW9000 | BOLT, FLANGE, 6X14 (CT200) | | | 001 | SHD, LHD |
| 12 | 90013ZV0010 | BOLT, FLANGE, 6X12 | | | 002 | SHD, LHD |
| 13 | 90013ZW4000 | BOLT, FLANGE, 6X12 (CT200) | | | 001 | SHD, LHD |
| 14 | 90014ZV1010 | BOLT, FLANGE, 5X22 | | | 002 | SHD, LHD |
| 15 | 90018ZW5000 | BOLT, FLANGE, 6X20 | | | 002 | SHD, LHD |
| 16 | 90672SA0003 | STRAP, CABLE, 118MM (BLACK) | | | 002 | SHD, LHD |
| 17 | 90688ZV4003 | CLIP, CORD | | | 001 | SHD, LHD |
| 18 | 9820011500 | FUSE (15A) | | | 001 | SHD, LHD |
| 19 | 32108ZV7010 | BRACKET, CONNECTOR | | | 001 | SHD, LHD |

BF25D4 (ZV7S2 43;13ZV70E1,extZV7S2 43;13ZV70E1,ZV7S2 33;13ZV70E1,extZV7S2 33;13ZV70E1,ZV7S2 G9;13ZV70E1,extZV7S2 G9;13ZV70E1,ZV7S2 H9;13ZV70E1,extZV7S2 H9;13ZV70E1,ZV7S2 G8;13ZV70E1,extZV7S2 G8;13ZV70E1,ZV7S2 H8;13ZV70E1,extZV7S2 H8;13ZV70E1,ZV7S2 13;13ZV70E1,extZV7S2 13;13ZV70E1,ZV7S2 12;13ZV70E1,extZV7S2 12;13ZV70E1)

F-7-1 REGULATOR (2)

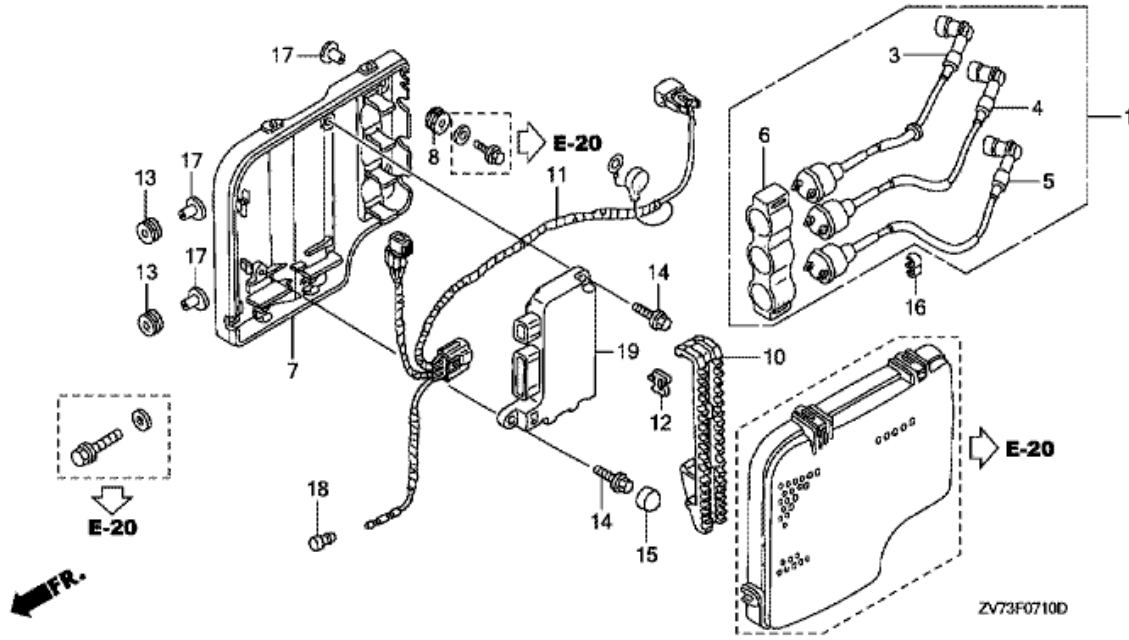


| Refnr | Parça Numarası | Acıklama | İlk numara | Son numara | Birim Adedi | Tipler |
|-------|----------------|----------------------------------|------------|------------|-------------|------------------------------------|
| 1 | 31604ZV7781 | BRACKET, REGULATOR | | | 001 | LRTD, LHGD, SRTU, LRTU, SHGU, LHGU |
| 2 | 31750ZW2F01 | RECTIFIER ASSY., REGULATOR (12A) | | 1004399 | 001 | LRTD, LHGD |
| 2 | 31750ZW2F92 | RECTIFIER ASSY., REGULATOR (12A) | 1004400 | | 001 | LRTD, LHGD, SRTU, LRTU, SHGU, LHGU |
| 2 | 31750ZW2F93 | RECTIFIER ASSY., REGULATOR (12A) | 1006631 | | 001 | LRTD, LHGD, SRTU, LRTU, SHGU, LHGU |
| 3 | 32108ZV7010 | BRACKET, CONNECTOR | | | 001 | LRTD, LHGD, SRTU, LRTU, SHGU, LHGU |
| 4 | 32111ZW2F10 | BRACKET, CLIP B | | | 001 | LRTD, SRTU, LRTU |
| 5 | 32112ZW2F00 | BRACKET, FUSE CASE | | | 001 | LRTD, LHGD, SRTU, LRTU, SHGU, LHGU |
| 6 | 32119ZW5010 | BRACKET, CLIP (E) | | | 001 | LRTD, SRTU, LRTU |
| 7 | 32121HA0003 | BAND, CORD | | | 001 | LRTD, LHGD, SRTU, LRTU, SHGU, LHGU |
| 8 | 32410ZW2F00 | CABLE ASSY., STARTER | | | 001 | LHGD, SHGU, LHGU |
| 8 | 32410ZW2F60 | CABLE ASSY., STARTER (PTT) | | | 001 | LRTD, SRTU, LRTU |
| 9 | 32411ZV7751 | COVER, TERMINAL | | | 001 | LHGD, SHGU, LHGU |
| 9 | 32411ZW2F11 | COVER, TERMINAL | | | 001 | LRTD, SRTU, LRTU |
| 10 | 32520ZW2F00 | CABLE ASSY., REMOTE CONTROL (A) | | 1004399 | 001 | LHGD |
| 10 | 32520ZW2F01 | CABLE ASSY., REMOTE CONTROL (A) | 1004400 | 1006630 | 001 | LHGD, SHGU, LHGU |
| 10 | 32520ZW2F02 | CABLE ASSY., REMOTE CONTROL (A) | 1006631 | | 001 | LHGD, SHGU, LHGU |
| 10 | 32520ZW2F10 | CABLE ASSY., REMOTE CONTROL (A) | | 1002657 | 001 | LRTD |
| 10 | 32520ZW2F11 | CABLE ASSY., REMOTE CONTROL (A) | 1002658 | | 001 | LRTD, SRTU, LRTU |

| | | | | | | |
|----|-------------|-------------------------------------|---------|---------|-----|------------------------------------|
| 10 | 32520ZW2F12 | CABLE ASSY., REMOTE CONTROL (A) | 1006631 | 1012100 | 001 | LRTD, SRTU, LRTU |
| 11 | 32903701000 | CLAMPER, HIGH TENSION CORD | | | 001 | LRTD, LHGD, SRTU, LRTU, SHGU, LHGU |
| 18 | 37304PE1661 | CLIP B, AIR TEMPERATURE SWITCH CORD | | | 001 | LRTD, LHGD, SRTU, LRTU, SHGU, LHGU |
| 19 | 38550ZW2F11 | RELAY ASSY., POWER TILT | | | 001 | LRTD, SRTU, LRTU |
| 20 | 38552ZW2F10 | BRACKET, COUPLER (PT) | | | 001 | LRTD, SRTU, LRTU |
| 21 | 90011ZW9000 | BOLT, FLANGE, 6X14 (CT200) | | | 001 | LRTD, LHGD, SRTU, LRTU, SHGU, LHGU |
| 22 | 90013ZV0010 | BOLT, FLANGE, 6X12 | | | 002 | LRTD, LHGD, SRTU, LRTU, SHGU, LHGU |
| 23 | 90013ZW4000 | BOLT, FLANGE, 6X12 (CT200) | | | 002 | LRTD, LHGD, SRTU, LRTU, SHGU, LHGU |
| 24 | 90017ZV0C10 | BOLT, FLANGE, 6X18 (CT200) | | | 002 | LRTD, SRTU, LRTU |
| 25 | 90018ZW5000 | BOLT, FLANGE, 6X20 | | | 002 | LRTD, LHGD, SRTU, LRTU, SHGU, LHGU |
| 27 | 90403ZW1000 | WASHER, PLAIN, 6MM | 1004733 | | 002 | LRTD, SRTU, LRTU |
| 27 | 90406ZV5010 | WASHER, 6MM | | 1004732 | 002 | LRTD |
| 30 | 90672SA0003 | STRAP, CABLE, 118MM (BLACK) | | | 002 | LRTD, LHGD, SRTU, LRTU, SHGU, LHGU |
| 31 | 90682735A01 | CLIP, WIRE HARNESS | | | 001 | LRTD, SRTU, LRTU |
| 32 | 90683KJ2003 | CLIP, WIRE HARNESS | | | 001 | LRTD, LHGD, SRTU, LRTU, SHGU, LHGU |
| 33 | 90688ZV4003 | CLIP, CORD | | | 001 | LRTD, LHGD, SRTU, LRTU, SHGU, LHGU |
| 34 | 91558SD5003 | CLIP, WIRE HARNESS (BLACK) | | | 002 | LRTD, SRTU, LRTU |
| 35 | 9820031000 | FUSE, BLADE (10A) | | | 002 | LRTD, LHGD, SRTU, LRTU, SHGU, LHGU |
| 36 | 9820031500 | FUSE, BLADE (15A) | | | 002 | LRTD, LHGD, SRTU, LRTU, SHGU, LHGU |
| 37 | 90013ZW9000 | BOLT, FLANGE, 6X12 | | | 001 | LRTD, SRTU, LRTU |
| 38 | 38216ZV5003 | COVER ASSY., FUSE (15A) | | | 001 | LRTD, LHGD, SRTU, LRTU, SHGU, LHGU |
| 39 | 38218ZW5004 | COVER ASSY., FUSE (10A) | | | 001 | LRTD, LHGD, SRTU, LRTU, SHGU, LHGU |

BF25D4 (ZV7S2 43;13ZV70E1,extZV7S2 43;13ZV70E1,ZV7S2 33;13ZV70E1,extZV7S2 33;13ZV70E1,ZV7S2 G9;13ZV70E1,extZV7S2 G9;13ZV70E1,ZV7S2 H9;13ZV70E1,extZV7S2 H9;13ZV70E1,ZV7S2 G8;13ZV70E1,extZV7S2 G8;13ZV70E1,ZV7S2 H8;13ZV70E1,extZV7S2 H8;13ZV70E1,ZV7S2 13;13ZV70E1,extZV7S2 13;13ZV70E1,ZV7S2 12;13ZV70E1,extZV7S2 12;13ZV70E1)

F-7-10 IGNITION COIL/C.D.I. UNIT

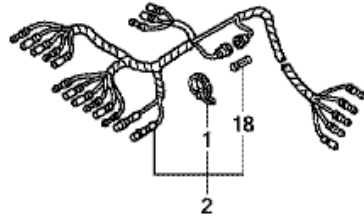
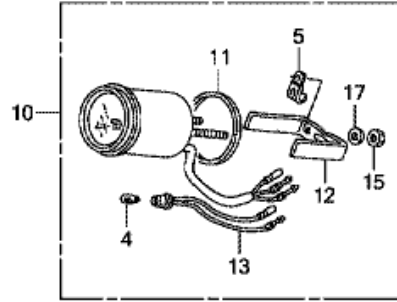
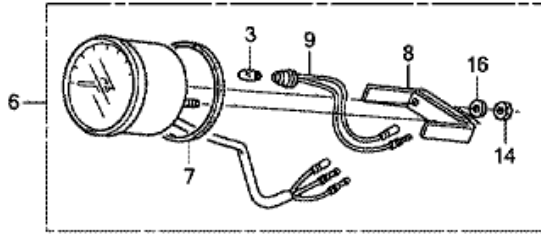


| Refnr | Parça Numarası | Acıklama | İlk numara | Son numara | Birim Adedi | Tipler |
|-------|----------------|-------------------------------|------------|------------|-------------|--|
| 1 | 30500ZW2F01 | COIL ASSY., IGNITION | | | 001 | SHD, LHD, LRTD, LHGD, SRTU, LRTU, SHGU, LHGU |
| 3 | 30511ZV7003 | COIL COMP., IGNITION (1) | | | 001 | SHD, LHD, LRTD, LHGD, SRTU, LRTU, SHGU, LHGU |
| 4 | 30512ZV7003 | COIL COMP., IGNITION (2) | | | 001 | SHD, LHD, LRTD, LHGD, SRTU, LRTU, SHGU, LHGU |
| 5 | 30513ZW2F01 | COIL COMP., IGNITION (3) | | | 001 | SHD, LHD, LRTD, LHGD, SRTU, LRTU, SHGU, LHGU |
| 6 | 30516ZV5003 | SUSPENSION, IGNITION COIL | | | 001 | SHD, LHD, LRTD, LHGD, SRTU, LRTU, SHGU, LHGU |
| 7 | 30587ZW2F01 | CASE, C.D.I. UNIT | | | 001 | SHD, LHD, LRTD, LHGD, SRTU, LRTU, SHGU, LHGU |
| 8 | 30598ZV5000 | GROMMET, C.D.I. UNIT CASE (B) | | | 002 | SHD, LHD, LRTD, LHGD, SRTU, LRTU, SHGU, LHGU |
| 10 | 32106ZV5010 | BRACKET, CONNECTOR (A) | | | 001 | SHD, LHD, LRTD, LHGD, SRTU, LRTU, SHGU, LHGU |
| 11 | 32160ZW2F00 | CABLE ASSY., C.D.I. UNIT (2) | | 1012606 | 001 | SHD, LHD, LRTD, LHGD, SRTU, LRTU, SHGU, LHGU |
| 11 | 32160ZW2F50 | CABLE ASSY., C.D.I. UNIT (2) | 1012607 | | 001 | LHGD, SHGU, LHGU |
| 12 | 32805413000 | CLIP, WINKER CORD | | | 001 | SHD, LHD, LRTD, LHGD, SRTU, LRTU, |

| | | | | | | |
|----|-------------|--------------------------|---------|---------|-----|---|
| | | | | | | SHGU, LHGU |
| 13 | 40102ZV5000 | GROMMET, UNDER CASE | | | 002 | SHD, LHD, LRTD, LHGD, SRTU, LRTU, SHGU, LHGU |
| 14 | 90018ZW5000 | BOLT, FLANGE, 6X20 | | | 002 | SHD, LHD, LRTD, LHGD, SRTU, LRTU, SHGU, LHGU |
| 15 | 90082ZW4H01 | CAP, BOLT, 6MM | | | 001 | SHD, LHD, LRTD, LHGD, SRTU, LRTU, SHGU, LHGU |
| 16 | 90658ZA0930 | CLIP, HIGH TENSION CORD | | | 001 | SHD, LHD, LRTD, LHGD, SRTU, LRTU, SHGU, LHGU |
| 17 | 91553ZV5010 | COLLAR, C.D.I. UNIT CASE | | | 004 | SHD, LHD, LRTD, LHGD, SRTU, LRTU, SHGU, LHGU |
| 18 | 32823ZV5003 | PLUG, INNER CONNECTOR | | | 001 | SHD, LHD, LRTD, LHGD, SRTU, LRTU, SHGU, LHGU |
| 19 | 30400ZV7F02 | C.D.I. UNIT | 1002658 | 1003374 | 001 | SHD, LHD, LRTD, LHGD, SRTU, LRTU, SHGU, LHGU |
| 19 | 30400ZV7F03 | C.D.I. UNIT | 1003375 | | 001 | SHD, LHD, LRTD, LHGD, SRTU, LRTU, SHGU, LHGU |

BF25D4 (ZV7S2 43;13ZV70E1,extZV7S2 43;13ZV70E1,ZV7S2 33;13ZV70E1,extZV7S2 33;13ZV70E1,ZV7S2 G9;13ZV70E1,extZV7S2 G9;13ZV70E1,ZV7S2 H9;13ZV70E1,extZV7S2 H9;13ZV70E1,ZV7S2 G8;13ZV70E1,extZV7S2 G8;13ZV70E1,ZV7S2 H8;13ZV70E1,extZV7S2 H8;13ZV70E1,ZV7S2 13;13ZV70E1,extZV7S2 13;13ZV70E1,ZV7S2 12;13ZV70E1,extZV7S2 12;13ZV70E1)

F-7-20 METER



FR. →

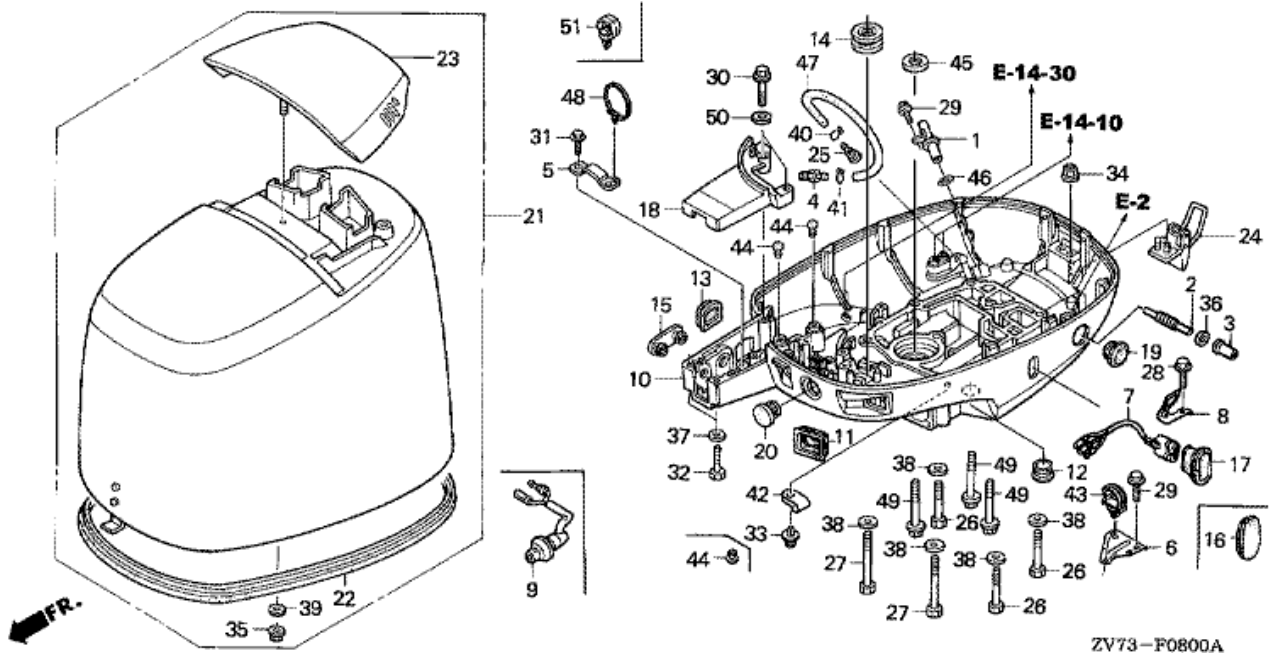
ZV73F0720

| Refnr | Parça Numarası | Acıklama | İlk numara | Son numara | Birim Adedi | Tipler |
|-------|----------------|---|------------|------------|-------------|------------------|
| 1 | 32161404000 | BAND B1, WIRE | 1001969 | 1004426 | 001 | LRTD, SRTU, LRTU |
| 2 | 32540ZV5911 | HARNESS ASSY., METER (A) | | 1011725 | 001 | LRTD, SRTU, LRTU |
| 2 | 32540ZZ3000 | HARNESS ASSY., METER (A) | 1011726 | 1012100 | 001 | LRTD, SRTU, LRTU |
| 3 | 34908MB9871 | BULB, WEDGE BASE (T10) (12V 1.7W) (STANLEY) | 1002431 | 1012100 | 001 | LRTD, SRTU, LRTU |
| 4 | 34908MG9951 | BULB, WEDGE BASE (12V 1.7W) | | | 001 | LRTD, SRTU, LRTU |
| 5 | 37215KM1670 | CLAMP | | 1012100 | 001 | LRTD, SRTU, LRTU |
| 6 | 37250ZV7912 | TACHOMETER ASSY. | 1002658 | | 001 | LRTD, SRTU, LRTU |
| 6 | 37250ZV7913 | TACHOMETER ASSY. | | 1012100 | 001 | LRTD, SRTU, LRTU |
| 6 | 37250ZW2911 | TACHOMETER ASSY. | 1002431 | 1004399 | 001 | LRTD |
| 7 | 37253ZV5821 | PACKING | | 1012100 | 001 | LRTD, SRTU, LRTU |
| 8 | 37256ZV5821 | BRACKET | | 1012100 | 001 | LRTD, SRTU, LRTU |
| 9 | 37258ZV5821 | SOCKET COMP. | | 1012100 | 001 | LRTD, SRTU, LRTU |
| 10 | 37260ZV5821 | METER ASSY., TRIM | 1002658 | 1003059 | 001 | LRTD, SRTU, LRTU |
| 10 | 37260ZV5822 | METER ASSY., TRIM | | 1012100 | 001 | LRTD, SRTU, LRTU |
| 10 | 37260ZW4821 | METER ASSY., TRIM | | 1004399 | 001 | LRTD |
| 11 | 37263ZV5821 | PACKING | | 1012100 | 001 | LRTD, SRTU, LRTU |
| 12 | 37266ZV5821 | BRACKET | | 1012100 | 001 | LRTD, SRTU, LRTU |
| 13 | 37268ZV5821 | SOCKET COMP. | | 1012100 | 001 | LRTD, SRTU, LRTU |
| 14 | 90309ZV5821 | NUT, HEX., 5MM | | 1012100 | 002 | LRTD, SRTU, LRTU |
| 15 | 90310ZV5821 | NUT, HEX., 4MM | | 1012100 | 003 | LRTD, SRTU, LRTU |

| | | | | | | |
|----|-------------|---------------------|--|---------|-----|---------------------|
| 16 | 90550ZV5821 | WASHER, SPRING, 5MM | | 1012100 | 002 | LRTD, SRTU, LRTU |
| 17 | 90560ZV5821 | WASHER, SPRING, 4MM | | 1012100 | 002 | LRTD, SRTU, LRTU |
| 18 | 9820011000 | FUSE A (10A) | | 1012100 | 001 | LRTD, SRTU, LRTU |

BF25D4 (ZV7S2 43;13ZV70E1,extZV7S2 43;13ZV70E1,ZV7S2 33;13ZV70E1,extZV7S2 33;13ZV70E1,ZV7S2 G9;13ZV70E1,extZV7S2 G9;13ZV70E1,ZV7S2 H9;13ZV70E1,extZV7S2 H9;13ZV70E1,ZV7S2 G8;13ZV70E1,extZV7S2 G8;13ZV70E1,ZV7S2 H8;13ZV70E1,extZV7S2 H8;13ZV70E1,ZV7S2 13;13ZV70E1,extZV7S2 13;13ZV70E1,ZV7S2 12;13ZV70E1,extZV7S2 12;13ZV70E1)

F-8 ENGINE COVER/UNDER CASE



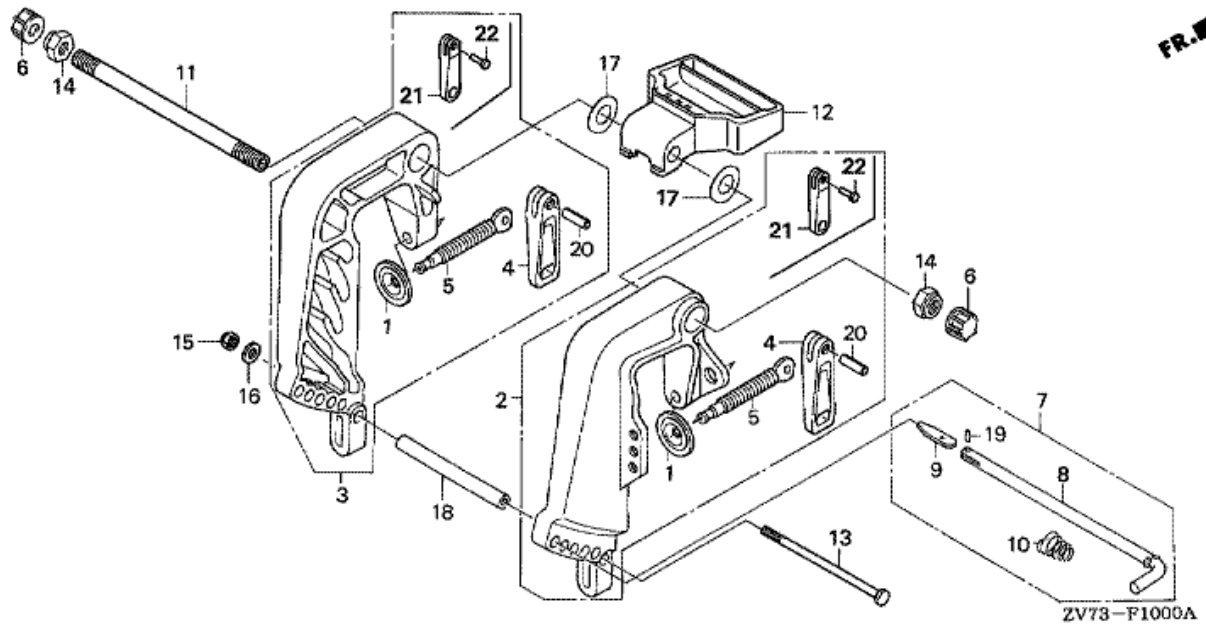
| Refnr | Parça Numarası | Açıklama | İlk numara | Son numara | Birim Adedi | Tipler |
|-------|----------------|-------------------------------|------------|------------|-------------|--|
| 1 | 15665ZV7020 | PIPE COMP., OIL LEVEL | | | 001 | SHD, LHD, LRTD, LHGD, SRTU, LRTU, SHGU, LHGU |
| 4 | 19312ZW4H00 | JOINT, WATER TUBE | | | 001 | SHD, LHD, LRTD, LHGD, SRTU, LRTU, SHGU, LHGU |
| 5 | 32112ZV7751 | BRACKET, CABLE CLIP (S) | | | 001 | SHD, LHD, LRTD, LHGD, SRTU, LRTU, SHGU, LHGU |
| 6 | 32113ZW2F10 | BRACKET, CLIP A | | | 001 | LRTD, SRTU, LRTU |
| 7 | 35640ZW2F11 | SWITCH ASSY., POWER TILT | | | 001 | LRTD, SRTU, LRTU |
| 8 | 35645ZW2F10 | STAY, POWER TILT SWITCH | | | 001 | LRTD, SRTU, LRTU |
| 9 | 37210ZV4003 | LAMP ASSY., INDICATOR | | | 001 | SHD, LHD |
| 10 | 40101ZW2405ZA | CASE, ENGINE UNDER *NH282MU * | | 1008769 | 001 | SHD, LHD, LRTD, LHGD, SRTU, LRTU, SHGU, LHGU |
| 10 | 40101ZW2415ZA | CASE, ENGINE UNDER *NH282MU * | 1008770 | 1011091 | 001 | LRTD, LHGD, SRTU, LRTU, SHGU, LHGU |
| 10 | 40101ZW2425ZA | CASE, ENGINE UNDER *NH282MU * | 1011092 | | 001 | LRTD, LHGD, SRTU, LRTU, SHGU, LHGU |
| 11 | 40106ZV5000 | GROMMET, UNDER CASE (B) | | | 001 | SHD, LHD, LRTD, LHGD, SRTU, LRTU, SHGU, LHGU |
| 12 | 40107ZV5000 | GROMMET, UNDER CASE (C) | | | 001 | SHD, LHD, LHGD, SHGU, LHGU |
| 12 | 40107ZV5820 | GROMMET, UNDER CASE (C) | | | 001 | LRTD, SRTU, LRTU |
| 13 | 40107ZV7750 | GROMMET, UNDER CASE (C) | | | 001 | LRTD, LHGD, SRTU, LRTU, |

| | | | | | | | |
|----|---------------|--------------------------------|---------|---------|--|-----|--|
| | | | | | | | SHGU, LHGU |
| 14 | 40109ZV4010 | GROMMET, OIL CASE (E) | | | | 001 | SHD, LHD, LRTD, LHGD, SRTU, LRTU, SHGU, LHGU |
| 15 | 40113ZW4H10 | GROMMET, UNDER CASE (F) | | | | 001 | SHD, LHD, LRTD, LHGD, SRTU, LRTU, SHGU, LHGU |
| 16 | 40114ZV5000 | GROMMET, UNDER CASE (G) | | | | 001 | SHD, LHD, LHGD, SHGU, LHGU |
| 17 | 40114ZV5820 | GROMMET, UNDER CASE (G) | | | | 001 | LRTD, SRTU, LRTU |
| 18 | 40151ZV7000ZA | CASE, SEPARATE *NH282MU * | | | | 001 | SHD, LHD, LRTD, LHGD, SRTU, LRTU, SHGU, LHGU |
| 20 | 53115732000 | CAP, LOWER HANDLE | | | | 001 | LRTD, LHGD, SRTU, LRTU, SHGU, LHGU |
| 21 | 63100ZW2F00ZA | COVER COMP., ENGINE *NH282MU * | | 1007014 | | 001 | LRTD, LHGD, SRTU, LRTU, SHGU, LHGU |
| 21 | 63100ZW2F01ZA | COVER COMP., ENGINE *NH282MU * | | | | 001 | LRTD, LHGD, SRTU, LRTU, SHGU, LHGU |
| 21 | 63100ZW2F30ZA | COVER COMP., ENGINE *NH282MU * | | 1006967 | | 001 | SHD, LHD |
| 21 | 63100ZW2F31ZA | COVER COMP., ENGINE *NH282MU * | 1003372 | | | 001 | SHD, LHD |
| 22 | 63102ZV7300 | SEAL, ENGINE COVER | | | | 001 | SHD, LHD, LRTD, LHGD, SRTU, LRTU, SHGU, LHGU |
| 23 | 63105ZW4H00ZA | HANDLE, TILT *NH282MU * | | 1007014 | | 001 | SHD, LHD, LRTD, LHGD, SRTU, LRTU, SHGU, LHGU |
| 23 | 63105ZW4H01ZA | HANDLE, TILT *NH282MU * | 1007015 | | | 001 | SHD, LHD, LRTD, LHGD, SRTU, LRTU, SHGU, LHGU |
| 24 | 63240ZV5000 | LEVER COMP., FASTENER | | | | 001 | SHD, LHD, LRTD, LHGD, SRTU, LRTU, SHGU, LHGU |
| 25 | 82873ZV5000 | GROMMET, WATER CHECK | | 1012081 | | 001 | SHD, LHD, LRTD, LHGD, SRTU, LRTU, SHGU, LHGU |
| 25 | 82873ZV5003 | GROMMET, WATER CHECK | 1004430 | | | 001 | LRTD, LHGD, SRTU, LRTU, SHGU, LHGU |
| 26 | 90010ZV5000 | BOLT, HEX., 8X55 | | | | 003 | SHD, LHD, LRTD, LHGD, SRTU, LRTU, SHGU, LHGU |
| 27 | 90010ZV7000 | BOLT, HEX., 8X80 | | | | 002 | SHD, LHD, LRTD, LHGD, SRTU, LRTU, SHGU, LHGU |
| 28 | 90013ZV0010 | BOLT, FLANGE, 6X12 | | | | 001 | LRTD, SRTU, LRTU |
| 29 | 90013ZV0010 | BOLT, FLANGE, 6X12 | | | | 001 | SHD, LHD, LRTD, LHGD, SRTU, LRTU, SHGU, LHGU |
| 30 | 90015ZV0C10 | BOLT, FLANGE, 6X28 (CT200) | | | | 002 | SHD, LHD, LRTD, LHGD, SRTU, LRTU, SHGU, LHGU |
| 31 | 90019ZV1010 | BOLT, FLANGE, 5X10 | | | | 001 | SHD, LHD, LRTD, LHGD, SRTU, LRTU, SHGU, LHGU |
| 32 | 90121ZV4000 | BOLT, HEX., 6X45 | | | | 002 | SHD, LHD, |

| | | | | | | |
|----|--------------|------------------------------------|--|--|-----|---|
| | | | | | | LRTD, LHGD, SRTU, LRTU, SHGU, LHGU |
| 33 | 90127ZV5003 | SCREW, RIVET, 5X10 | | | 001 | LRTD, SRTU, LRTU |
| 34 | 90205ZY1000 | NUT, SELF-LOCK, 6MM | | | 002 | SHD, LHD, LRTD, LHGD, SRTU, LRTU, SHGU, LHGU |
| 35 | 90301473003 | NUT, U, 6MM | | | 003 | SHD, LHD, LRTD, LHGD, SRTU, LRTU, SHGU, LHGU |
| 37 | 90506ZV4000 | WASHER, PLAIN, 6MM | | | 002 | SHD, LHD, LRTD, LHGD, SRTU, LRTU, SHGU, LHGU |
| 38 | 90507ZV4000 | WASHER, PLAIN, 8MM | | | 005 | SHD, LHD, LRTD, LHGD, SRTU, LRTU, SHGU, LHGU |
| 39 | 90512921010 | WASHER, 6MM | | | 003 | SHD, LHD, LRTD, LHGD, SRTU, LRTU, SHGU, LHGU |
| 40 | 90602921000 | CLIP, TUBE (B8) | | | 001 | SHD, LHD, LRTD, LHGD, SRTU, LRTU, SHGU, LHGU |
| 41 | 90603ZV4000 | CLIP, TUBE (B10) | | | 001 | SHD, LHD, LRTD, LHGD, SRTU, LRTU, SHGU, LHGU |
| 42 | 90628750000 | CLIP (14MM) | | | 001 | LRTD, SRTU, LRTU |
| 43 | 90682ZV5003 | CLIP, WIRE HARNESS | | | 002 | LRTD, SRTU, LRTU |
| 44 | 90801SB0000 | PLUG, CHANGE REINFORCEMENT | | | 001 | SHD, LHD, LRTD, LHGD, SRTU, LRTU, SHGU, LHGU |
| 45 | 91251ZW2F01 | SEAL, WATER, 17X26X7 | | | 001 | SHD, LHD, LRTD, LHGD, SRTU, LRTU, SHGU, LHGU |
| 46 | 91309PJ7010 | O-RING, 11.5X3.5 | | | 001 | SHD, LHD, LRTD, LHGD, SRTU, LRTU, SHGU, LHGU |
| 47 | 91402ZW2F00 | TUBE, WATER CHECK | | | 001 | SHD, LHD, LRTD, LHGD, SRTU, LRTU, SHGU, LHGU |
| 48 | 91541S0A003 | CLIP, HARNESS BAND (BLACK) (145MM) | | | 001 | LRTD, LHGD, SRTU, LRTU, SHGU, LHGU |
| 49 | 957010807000 | BOLT, FLANGE, 8X70 | | | 003 | SHD, LHD, LRTD, LHGD, SRTU, LRTU, SHGU, LHGU |
| 50 | 90506ZV4000 | WASHER, PLAIN, 6MM | | | 002 | SHD, LHD, LRTD, LHGD, SRTU, LRTU, SHGU, LHGU |
| 51 | 90683SA0003 | CLIP, WIRE HARNESS, 25MM | | | 001 | SHD, LHD |

BF25D4 (ZV7S2 43;13ZV70E1,extZV7S2 43;13ZV70E1,ZV7S2 33;13ZV70E1,extZV7S2 33;13ZV70E1,ZV7S2 G9;13ZV70E1,extZV7S2 G9;13ZV70E1,ZV7S2 H9;13ZV70E1,extZV7S2 H9;13ZV70E1,ZV7S2 G8;13ZV70E1,extZV7S2 G8;13ZV70E1,ZV7S2 H8;13ZV70E1,extZV7S2 H8;13ZV70E1,ZV7S2 13;13ZV70E1,extZV7S2 13;13ZV70E1,ZV7S2 12;13ZV70E1,extZV7S2 12;13ZV70E1)

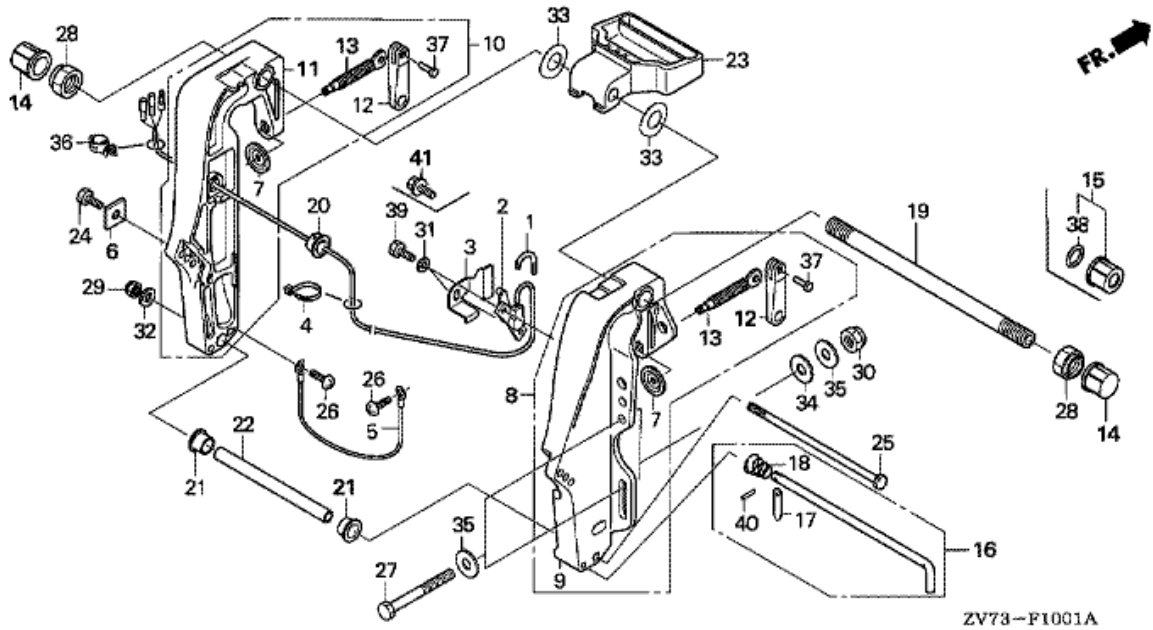
F-10 STERN BRACKET (1)



| Refnr | Parça Numarası | Acıklama | İlk numara | Son numara | Birim Adedi | Tipler |
|-------|----------------|------------------------------------|------------|------------|-------------|----------|
| 1 | 50122935010 | PLATE, PUSH | | | 002 | SHD, LHD |
| 2 | 50300ZW2F30ZA | BRACKET COMP., R. STERN *NH282MU * | | 1002277 | 001 | SHD, LHD |
| 2 | 50300ZW9832ZA | BRACKET COMP., R. STERN *NH282MU * | | | 001 | SHD, LHD |
| 3 | 50310ZW2F30ZA | BRACKET COMP., L. STERN *NH282MU * | | 1002277 | 001 | SHD, LHD |
| 3 | 50310ZW9832ZA | BRACKET COMP., L. STERN *NH282MU * | 1002278 | 1006918 | 001 | SHD, LHD |
| 3 | 50310ZW9833ZA | BRACKET COMP., L. STERN *NH282MU * | 1006919 | | 001 | SHD, LHD |
| 4 | 50323ZV4310ZB | GRIP, CLAMP *NH282MU * | | 1002277 | 002 | SHD, LHD |
| 5 | 50325881310 | SCREW, CLAMP | | 1002277 | 002 | SHD, LHD |
| 5 | 50325ZW9830 | SCREW, CLAMP | 1002278 | | 002 | SHD, LHD |
| 6 | 50331ZV5000 | CAP, TILTING BOLT | | | 002 | SHD, LHD |
| 7 | 50340ZV7010 | ROD COMP., ADJUSTING | | | 001 | SHD, LHD |
| 8 | 50341ZV7310 | ROD, ADJUSTING | | | 001 | SHD, LHD |
| 9 | 50342ZV5300 | STOPPER, ROD | | | 001 | SHD, LHD |
| 10 | 50343ZV7300 | SPRING, ADJUSTING ROD | | | 001 | SHD, LHD |
| 11 | 50381ZV5010 | SHAFT, TILTING | | | 001 | SHD, LHD |
| 12 | 68111ZW2F00 | HANDLE, CARRYING | | | 001 | SHD, LHD |
| 13 | 90108ZV7000 | BOLT, HEX., 8X163 | | | 001 | SHD, LHD |
| 14 | 90304ZV5013 | NUT, SELF-LOCK (7/8-14UNF) | | | 002 | SHD, LHD |
| 15 | 90305ZV4000 | NUT, SELF-LOCK, 8MM | | | 001 | SHD, LHD |
| 16 | 90507ZV4000 | WASHER, PLAIN, 8MM | | | 001 | SHD, LHD |
| 17 | 90517ZV5000 | WASHER, WAVE, 22MM | | | 002 | SHD, LHD |
| 18 | 91501ZV7000 | COLLAR, DISTANCE (8MM) | | | 001 | SHD, LHD |
| 19 | 9430525083 | PIN, SPRING, 2.5X8 | | | 001 | SHD, LHD |
| 20 | 9430540143 | PIN, SPRING, 4X14 | | 1002277 | 002 | SHD, LHD |
| 21 | 50323ZW9300 | GRIP, CLAMP | 1002278 | | 002 | SHD, LHD |
| 22 | 90855ZW9300 | RIVET, 4X22.6 | 1001886 | | 002 | SHD, LHD |

BF25D4 (ZV7S2 43;13ZV70E1,extZV7S2 43;13ZV70E1,ZV7S2 33;13ZV70E1,extZV7S2 33;13ZV70E1,ZV7S2 G9;13ZV70E1,extZV7S2 G9;13ZV70E1,ZV7S2 H9;13ZV70E1,extZV7S2 H9;13ZV70E1,ZV7S2 G8;13ZV70E1,extZV7S2 G8;13ZV70E1,ZV7S2 H8;13ZV70E1,extZV7S2 H8;13ZV70E1,ZV7S2 13;13ZV70E1,extZV7S2 13;13ZV70E1,ZV7S2 12;13ZV70E1,extZV7S2 12;13ZV70E1)

F-10-1 STERN BRACKET (2)



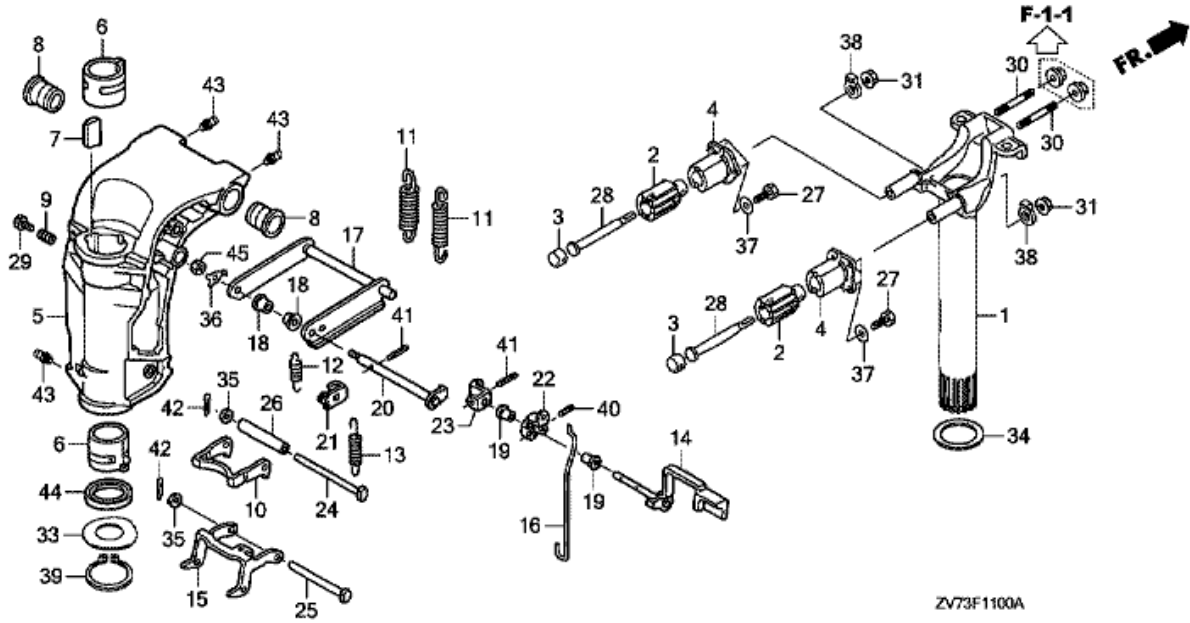
| Refnr | Parça Numarası | Açıklama | İlk numara | Son numara | Birim Adedi | Tipler |
|-------|----------------|------------------------------------|------------|------------|-------------|------------------------------------|
| 1 | 17735ZW2F10 | TUBE, CORRUGATE, 7MM | | 1012100 | 001 | LRTD, SRTU, LRTU |
| 2 | 35660ZW2F11 | SENSOR ASSY., TRIM ANGLE | | 1012100 | 001 | LRTD, SRTU, LRTU |
| 3 | 35661ZW2F10 | BRACKET, TRIM ANGLE SENSOR | | 1012100 | 001 | LRTD, SRTU, LRTU |
| 4 | 35701MG9950 | BAND (BLACK 3.5X140) | | | 001 | LRTD, SRTU, LRTU |
| 5 | 40219ZY1003 | WIRE, LEAD (1.5X170MM) | | 1006161 | 001 | LRTD, LHGD, SRTU, LRTU, SHGU, LHGU |
| 5 | 40219ZY1013 | WIRE, LEAD (1.5X170MM) | 1006162 | | 001 | LRTD, LHGD, SRTU, LRTU, SHGU, LHGU |
| 6 | 41106ZW9000 | METAL, ANODE | | | 001 | LRTD, LHGD, SRTU, LRTU, SHGU, LHGU |
| 7 | 50122935010 | PLATE, PUSH | | | 002 | LHGD, SHGU, LHGU |
| 8 | 50300ZY1871ZA | BRACKET COMP., R. STERN *NH282MU * | | 1001810 | 001 | LHGD |
| 8 | 50300ZY1872ZA | BRACKET COMP., R. STERN *NH282MU * | 1002173 | | 001 | LHGD, SHGU, LHGU |
| 9 | 50301ZW2F10 | BRACKET, R. STERN | | | 001 | LRTD, SRTU, LRTU |
| 9 | 50301ZY1871ZA | BRACKET, R. STERN *NH282MU * | | 1002172 | 001 | LHGD |
| 9 | 50301ZY1872ZA | BRACKET, R. STERN *NH282MU * | 1002173 | | 001 | LHGD, SHGU, LHGU |
| 10 | 50310ZY1871ZA | BRACKET COMP., L. STERN *NH282MU * | | 1002172 | 001 | LHGD |
| 10 | 50310ZY1872ZA | BRACKET COMP., L. STERN *NH282MU * | 1002173 | 1006807 | 001 | LHGD, SHGU, LHGU |
| 10 | 50310ZY1873ZA | BRACKET COMP., L. STERN *NH282MU * | 1003321 | | 001 | LHGD, SHGU, LHGU |
| 11 | 50311ZW2F10 | BRACKET, L. STERN | | 1006813 | 001 | LRTD, SRTU, LRTU |
| 11 | 50311ZW2F11 | BRACKET, L. STERN | 1006814 | | 001 | LRTD, SRTU, LRTU |
| 11 | 50311ZY1871ZA | BRACKET, L. STERN *NH282MU * | | 1002172 | 001 | LHGD |
| 11 | 50311ZY1872ZA | BRACKET, L. STERN *NH282MU * | 1002173 | 1006807 | 001 | LHGD, SHGU, LHGU |

| | | | | | | |
|----|---------------|------------------------------|---------|---------|-----|------------------------------------|
| 11 | 50311ZY1873ZA | BRACKET, L. STERN *NH282MU * | 1006808 | | 001 | LHGD, SHGU, LHGU |
| 12 | 50323ZW9300 | GRIP, CLAMP | | | 002 | LHGD, SHGU, LHGU |
| 13 | 50325ZW9830 | SCREW, CLAMP | | | 002 | LHGD, SHGU, LHGU |
| 14 | 50331ZV5000 | CAP, TILTING BOLT | | 1012100 | 002 | LRTD, LHGD, SRTU, LRTU, SHGU, LHGU |
| 15 | 50335ZV5000 | CAP ASSY. | | | 001 | LRTD, SRTU, LRTU |
| 16 | 50340ZY1871 | ROD COMP., ADJUSTING | | | 001 | LRTD, LHGD, SRTU, LRTU, SHGU, LHGU |
| 17 | 50342ZV5300 | STOPPER, ROD | | | 001 | LRTD, LHGD, SRTU, LRTU, SHGU, LHGU |
| 18 | 50343921300 | SPRING, ADJUSTING ROD | | | 001 | LRTD, LHGD, SRTU, LRTU, SHGU, LHGU |
| 19 | 50381ZV5010 | SHAFT, TILTING | | 1004280 | 001 | LRTD, LHGD, SRTU, LRTU, SHGU, LHGU |
| 19 | 50381ZZ5000 | SHAFT, TILTING | | | 001 | LRTD, LHGD, SRTU, LRTU, SHGU, LHGU |
| 20 | 56118ZV5820 | BUSH, MOTOR CODE | | | 001 | LRTD, SRTU, LRTU |
| 21 | 56513ZV5000 | BUSH, LOWER CYLINDER | | | 002 | LRTD, LHGD, SRTU, LRTU, SHGU, LHGU |
| 22 | 56539ZY1870 | COLLAR, LOWER CYLINDER | | | 001 | LRTD, LHGD, SRTU, LRTU, SHGU, LHGU |
| 23 | 68111ZW2F00 | HANDLE, CARRYING | | | 001 | LHGD, SHGU, LHGU |
| 24 | 90102ZW9000 | BOLT, FLANGE, 6X12 | | | 001 | LRTD, LHGD, SRTU, LRTU, SHGU, LHGU |
| 25 | 90108ZY1870 | BOLT, HEX., 8X203 | | | 001 | LRTD, LHGD, SRTU, LRTU, SHGU, LHGU |
| 26 | 90119ZV5000 | SCREW, PAN, 6X8 | | | 002 | LRTD, LHGD, SRTU, LRTU, SHGU, LHGU |
| 27 | 90129ZV7000 | BOLT, HEX., 10X100 | | | 004 | LRTD, SRTU, LRTU |
| 28 | 90304ZV5013 | NUT, SELF-LOCK (7/8-14UNF) | | | 002 | LRTD, LHGD, SRTU, LRTU, SHGU, LHGU |
| 29 | 90305ZV4000 | NUT, SELF-LOCK, 8MM | | | 001 | LRTD, LHGD, SRTU, LRTU, SHGU, LHGU |
| 30 | 90306ZV5003 | NUT, SELF-LOCK, 10MM | | | 004 | LRTD, SRTU, LRTU |
| 31 | 90504921010 | WASHER, PLAIN, 6MM | | 1002669 | 002 | LRTD |
| 32 | 90507ZV4000 | WASHER, PLAIN, 8MM | | | 001 | LRTD, LHGD, SRTU, LRTU, SHGU, LHGU |
| 33 | 90517ZV5000 | WASHER, WAVE, 22MM | | | 002 | LRTD, LHGD, SRTU, LRTU, SHGU, LHGU |
| 34 | 90552ZV7000 | WASHER, PLAIN, 10MM | | | 004 | LRTD, SRTU, LRTU |
| 35 | 90563ZV5000 | WASHER, PLAIN, 10MM | | | 008 | LRTD, SRTU, LRTU |
| 36 | 90681763A01 | CLIP, WIRE HARNESS | | | 001 | LRTD, SRTU, LRTU |
| 37 | 90855ZW9300 | RIVET, 4X22.6 | | | 002 | LHGD, SHGU, LHGU |
| 38 | 91352ZV5000 | O-RING, 15.54X2.26 | | | 001 | LRTD, SRTU, LRTU |
| 39 | 92101060204J | BOLT, HEX., 6X20 | | 1004399 | 002 | LRTD |

| | | | | | | |
|----|-------------|--------------------|--|---------|-----|--|
| 40 | 9430525083 | PIN, SPRING, 2.5X8 | | | 001 | LRTD, LHGD, SRTU, LRTU, SHGU, LHGU |
| 41 | 90105ZW9000 | BOLT, FLANGE, 6X20 | | 1012100 | 002 | LRTD, SRTU, LRTU |

BF25D4 (ZV7S2 43;13ZV70E1,extZV7S2 43;13ZV70E1,ZV7S2 33;13ZV70E1,extZV7S2 33;13ZV70E1,ZV7S2 G9;13ZV70E1,extZV7S2 G9;13ZV70E1,ZV7S2 H9;13ZV70E1,extZV7S2 H9;13ZV70E1,ZV7S2 G8;13ZV70E1,extZV7S2 G8;13ZV70E1,ZV7S2 H8;13ZV70E1,extZV7S2 H8;13ZV70E1,ZV7S2 13;13ZV70E1,extZV7S2 13;13ZV70E1,ZV7S2 12;13ZV70E1,extZV7S2 12;13ZV70E1)

F-11 SWIVEL CASE (1)

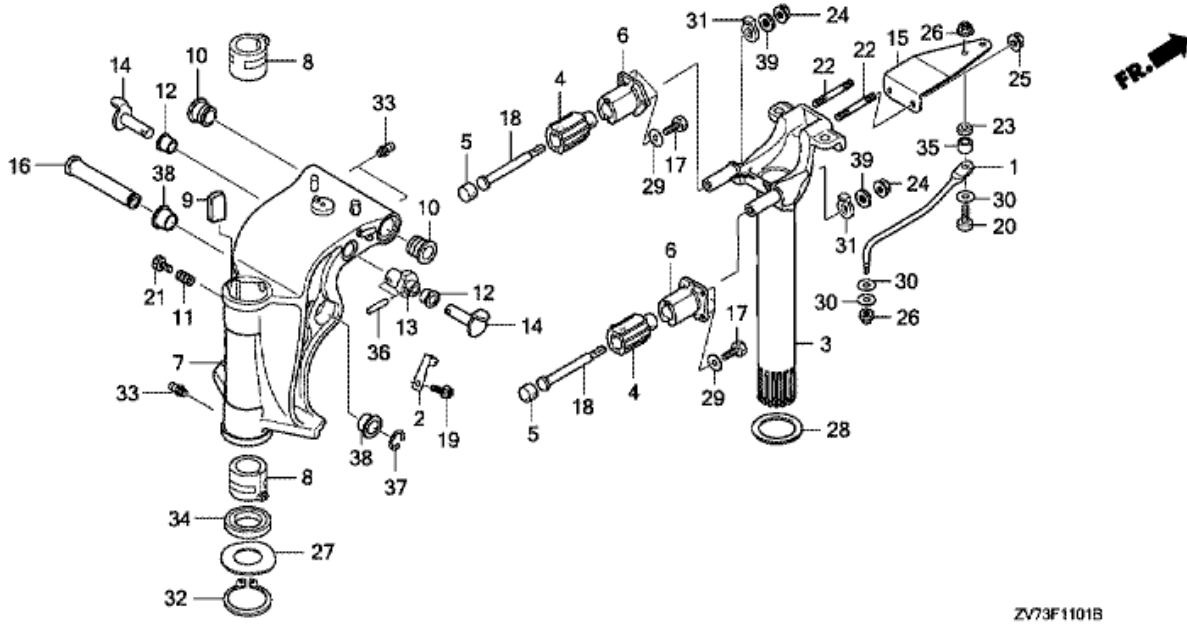


| Refnr | Parça Numarası | Acıklama | İlk numara | Son numara | Birim Adedi | Tipler |
|-------|----------------|-----------------------------------|------------|------------|-------------|----------|
| 1 | 50100ZW2F11ZA | FRAME COMP., MOUNTING *NH282MU * | | | 001 | SHD, LHD |
| 2 | 50151ZV5000 | RUBBER COMP., UPPER MOUNTING | | | 002 | SHD, LHD |
| 3 | 50153ZV5000 | RUBBER, UPPER MOUNTING (B) | | | 002 | SHD, LHD |
| 4 | 50167ZV7000ZA | HOLDER, UPPER MOUNTING *NH282MU * | | | 002 | SHD, LHD |
| 5 | 50201ZW2F30ZA | CASE, SWIVEL *NH282MU * | | 1006918 | 001 | SHD, LHD |
| 5 | 50201ZW2F31ZA | CASE, SWIVEL *NH282MU * | 1003319 | | 001 | SHD, LHD |
| 6 | 50211ZV5003 | LINER, SWIVEL CASE | | | 002 | SHD, LHD |
| 7 | 50212ZV5000 | BLOCK, FRICTION | | | 001 | SHD, LHD |
| 8 | 50214ZV5003 | BUSH, SWIVEL CASE | | | 002 | SHD, LHD |
| 9 | 50233881000 | SPRING, FRICTION ADJUSTING | | | 001 | SHD, LHD |
| 10 | 50512ZV7000 | HOOK, REVERSE LOCK | | | 001 | SHD, LHD |
| 11 | 50514ZV7000 | SPRING, REVERSE LOCK | | | 002 | SHD, LHD |
| 12 | 50515ZV4300 | SPRING, TILT LEVER | | | 001 | SHD, LHD |
| 13 | 50516ZV4300 | SPRING, TILT LINK | | | 001 | SHD, LHD |
| 14 | 50517ZV7020 | LEVER, TILT | | | 001 | SHD, LHD |
| 15 | 50518ZV7000 | ARM, REVERSE LOCK | | | 001 | SHD, LHD |
| 16 | 50519ZV7000 | ROD, RELEASE SWIVEL CASE | | | 001 | SHD, LHD |
| 17 | 50520ZV7010 | ARM COMP., TILT | | | 001 | SHD, LHD |
| 18 | 50521ZV1000 | BUSH, TILT LEVER | | | 002 | SHD, LHD |
| 19 | 50522ZV4000 | BUSH, TILT LEVER | | | 002 | SHD, LHD |
| 20 | 50525ZV7020 | SHAFT COMP., TILT | | | 001 | SHD, LHD |
| 21 | 50526ZV4000 | BRACKET, TILT SHAFT | | | 001 | SHD, LHD |
| 22 | 50527ZV4010 | BRACKET, RELEASE ROD | | | 001 | SHD, LHD |
| 23 | 50528ZV4010 | BRACKET, TILT LEVER | | | 001 | SHD, LHD |
| 24 | 50531ZV7000 | SHAFT, REVERSE LOCK (A) | | | 001 | SHD, LHD |
| 25 | 50532ZV4000 | SHAFT, REVERSE LOCK (B) | | | 001 | SHD, LHD |
| 26 | 50533ZV4000 | COLLAR, REVERSE LOCK | | | 001 | SHD, LHD |
| 27 | 90101ZV1000 | BOLT, HEX., 6X18 | | | 006 | SHD, LHD |
| 28 | 90101ZV5003 | BOLT, SPECIAL, 10X130 | | | 002 | SHD, LHD |
| 29 | 90109ZV4000 | BOLT, SPECIAL, 8X20 | | | 001 | SHD, LHD |
| 30 | 90109ZV5000 | BOLT, STUD, 10X28 | | | 002 | SHD, LHD |
| 31 | 90305ZW3H00 | NUT, FLANGE, 10MM | | | 002 | SHD, LHD |
| 33 | 90501ZV5000 | WASHER, WAVE, 40MM | | | 001 | SHD, LHD |
| 34 | 90504ZV5000 | WASHER, THRUST, 34MM | | | 001 | SHD, LHD |

| | | | | | | |
|----|--------------|----------------------------|--|--|-----|----------|
| 35 | 90504921010 | WASHER, PLAIN, 6MM | | | 002 | SHD, LHD |
| 36 | 90505ZV4000 | WASHER, LOCK | | | 001 | SHD, LHD |
| 37 | 90506ZV4000 | WASHER, PLAIN, 6MM | | | 006 | SHD, LHD |
| 38 | 90544ZV7010 | WASHER, SPECIAL | | | 002 | SHD, LHD |
| 39 | 90651ZW3H00 | CIRCLIP, EXTERNAL, 39MM | | | 001 | SHD, LHD |
| 40 | 90751ZV4C21 | PIN, SPRING, 3.0X22 | | | 001 | SHD, LHD |
| 41 | 90752ZV4C21 | PIN, SPRING, 3.0X25 | | | 002 | SHD, LHD |
| 42 | 90759ZV1000 | PIN, SPLIT, 2.0 | | | 002 | SHD, LHD |
| 43 | 90951ZV7010 | NIPPLE, GREASE | | | 003 | SHD, LHD |
| 44 | 91256ZV5003 | OIL SEAL, 39.5X52X6 (ARAI) | | | 001 | SHD, LHD |
| 45 | 94002064900S | NUT, HEX., 6MM | | | 001 | SHD, LHD |

BF25D4 (ZV7S2 43;13ZV70E1,extZV7S2 43;13ZV70E1,ZV7S2 33;13ZV70E1,extZV7S2 33;13ZV70E1,ZV7S2 G9;13ZV70E1,extZV7S2 G9;13ZV70E1,ZV7S2 H9;13ZV70E1,extZV7S2 H9;13ZV70E1,ZV7S2 G8;13ZV70E1,extZV7S2 G8;13ZV70E1,ZV7S2 H8;13ZV70E1,extZV7S2 H8;13ZV70E1,ZV7S2 13;13ZV70E1,extZV7S2 13;13ZV70E1,ZV7S2 12;13ZV70E1,extZV7S2 12;13ZV70E1)

F-11-1 SWIVEL CASE (2)



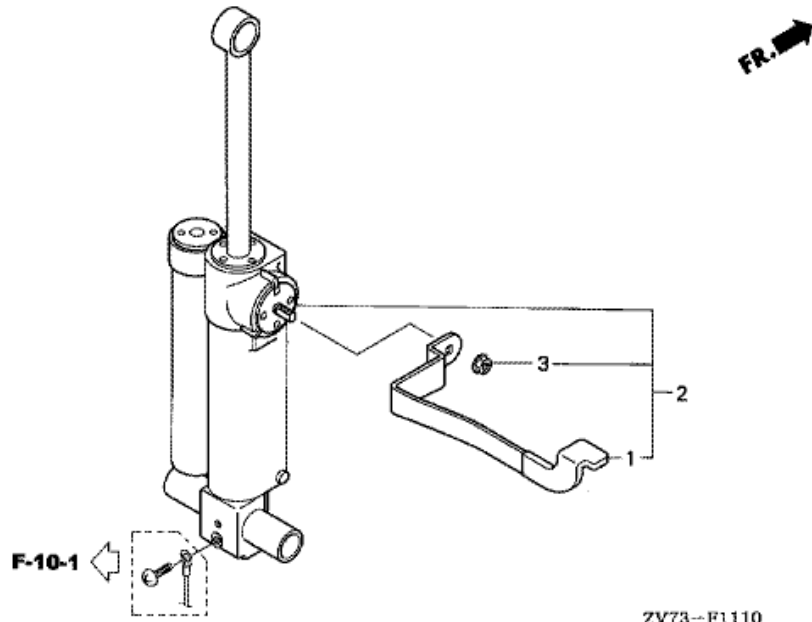
ZV73F1101B

| Refnr | Parça Numarası | Acıklama | İlk numara | Son numara | Birim Adedi | Tipler |
|-------|----------------|-----------------------------------|------------|------------|-------------|------------------------------------|
| 1 | 17853ZV5000 | ROD, STEERING | | | 001 | LRTD, SRTU, LRTU |
| 2 | 24210ZV1010 | SPRING COMP., CLICK | | | 001 | LRTD, LHGD, SRTU, LRTU, SHGU, LHGU |
| 3 | 50100ZW2F11ZA | FRAME COMP., MOUNTING *NH282MU * | | 1008990 | 001 | LRTD, LHGD, SRTU, LRTU, SHGU, LHGU |
| 3 | 50100ZW2F12 | FRAME COMP., MOUNTING | 1003774 | | 001 | LRTD, LHGD, SRTU, LRTU, SHGU, LHGU |
| 3 | 50100ZW2F13 | FRAME COMP., MOUNTING | 1010778 | | 001 | LRTD, LHGD, SRTU, LRTU, SHGU, LHGU |
| 4 | 50151ZV5000 | RUBBER COMP., UPPER MOUNTING | | | 002 | LRTD, LHGD, SRTU, LRTU, SHGU, LHGU |
| 5 | 50153ZV5000 | RUBBER, UPPER MOUNTING (B) | | | 002 | LRTD, LHGD, SRTU, LRTU, SHGU, LHGU |
| 6 | 50167ZV7000ZA | HOLDER, UPPER MOUNTING *NH282MU * | | | 002 | LRTD, LHGD, SRTU, LRTU, SHGU, LHGU |
| 7 | 50201ZW2F10 | CASE, SWIVEL | | 1006813 | 001 | LRTD, LHGD |
| 7 | 50201ZW2F10ZA | CASE, SWIVEL *NH282MU * | | 1003320 | 001 | SRTU, LRTU, SHGU, LHGU |
| 7 | 50201ZW2F11ZA | CASE, SWIVEL *NH282MU * | 1006814 | | 001 | LRTD, LHGD, SRTU, LRTU, SHGU, LHGU |
| 8 | 50211ZV5003 | LINER, SWIVEL CASE | | | 002 | LRTD, LHGD, SRTU, LRTU, SHGU, LHGU |
| 10 | 50214ZV5003 | BUSH, SWIVEL CASE | | | 002 | LRTD, LHGD, SRTU, LRTU, SHGU, LHGU |
| 12 | 50522ZV5000 | BUSH, TILT ARM | | | 002 | LRTD, LHGD, SRTU, LRTU, SHGU, LHGU |
| 13 | 50527ZY1870 | BRACKET, TILTING | | | 001 | LRTD, LHGD, SRTU, LRTU, |

| | | | | | | |
|----|-------------|----------------------------|---------|---------|-----|------------------------------------|
| | | | | | | SHGU, LHGU |
| 14 | 50529ZY1870 | STOPPER, TILT | | | 002 | LRTD, LHGD, SRTU, LRTU, SHGU, LHGU |
| 15 | 53234ZV7781 | PLATE, STEERING | | | 001 | LRTD, SRTU, LRTU |
| 16 | 56532ZY1870 | PIN, UPPER CYLINDER | | | 001 | LRTD, LHGD, SRTU, LRTU, SHGU, LHGU |
| 17 | 90101ZV1000 | BOLT, HEX., 6X18 | | | 006 | LRTD, LHGD, SRTU, LRTU, SHGU, LHGU |
| 18 | 90101ZV5003 | BOLT, SPECIAL, 10X130 | | | 002 | LRTD, LHGD, SRTU, LRTU, SHGU, LHGU |
| 19 | 90102ZW9000 | BOLT, FLANGE, 6X12 | | | 001 | LRTD, LHGD, SRTU, LRTU, SHGU, LHGU |
| 20 | 90105ZV5000 | BOLT (3/8-24 UNF) | | | 001 | LRTD, SRTU, LRTU |
| 22 | 90109ZV5000 | BOLT, STUD, 10X28 | | | 002 | LRTD, LHGD, SRTU, LRTU, SHGU, LHGU |
| 23 | 90302ZV5000 | NUT, (3/8-24 UNF) | | | 001 | LRTD, SRTU, LRTU |
| 24 | 90305ZW3H00 | NUT, FLANGE, 10MM | | | 002 | LRTD, LHGD, SRTU, LRTU, SHGU, LHGU |
| 24 | 90306ZW4003 | NUT, FLANGE, 10MM | 1007975 | | 002 | LRTD, LHGD, SRTU, LRTU, SHGU, LHGU |
| 25 | 90306ZV5003 | NUT, SELF-LOCK, 10MM | | | 002 | LRTD, SRTU, LRTU |
| 26 | 90307ZV5003 | NUT, SELF-LOCK (3/8-24UNF) | | | 002 | LRTD, SRTU, LRTU |
| 27 | 90501ZV5000 | WASHER, WAVE, 40MM | | | 001 | LRTD, LHGD, SRTU, LRTU, SHGU, LHGU |
| 28 | 90504ZV5000 | WASHER, THRUST, 34MM | | | 001 | LRTD, LHGD, SRTU, LRTU, SHGU, LHGU |
| 29 | 90506ZV4000 | WASHER, PLAIN, 6MM | | | 006 | LRTD, LHGD, SRTU, LRTU, SHGU, LHGU |
| 30 | 90514ZV4000 | WASHER, 10MM | | | 003 | LRTD, SRTU, LRTU |
| 31 | 90544ZV7010 | WASHER, SPECIAL | | | 002 | LRTD, LHGD, SRTU, LRTU, SHGU, LHGU |
| 32 | 90651ZW3H00 | CIRCLIP, EXTERNAL, 39MM | | 1007974 | 001 | LRTD, LHGD, SRTU, LRTU, SHGU, LHGU |
| 32 | 90651ZW4000 | CIRCLIP, EXTERNAL, 39MM | 1007975 | | 001 | LRTD, LHGD, SRTU, LRTU, SHGU, LHGU |
| 33 | 90951ZV7010 | NIPPLE, GREASE | | | 003 | LRTD, LHGD, SRTU, LRTU, SHGU, LHGU |
| 34 | 91256ZV5003 | OIL SEAL, 39.5X52X6 (ARAI) | | | 001 | LRTD, LHGD, SRTU, LRTU, SHGU, LHGU |
| 35 | 91560ZV5000 | COLLAR, STEERING ROD | | | 001 | LRTD, SRTU, LRTU |
| 36 | 9430525203 | PIN, SPRING, 2.5X20 | | | 002 | LRTD, LHGD, SRTU, LRTU, SHGU, LHGU |
| 37 | 9454015029 | E-RING, 15MM | | | 001 | LRTD, LHGD, SRTU, LRTU, SHGU, LHGU |
| 38 | 56513ZV5000 | BUSH, LOWER CYLINDER | | | 002 | LRTD, LHGD, SRTU, LRTU, SHGU, LHGU |
| 39 | 90501ZW4000 | WASHER, PLAIN, 10MM | 1007975 | | 002 | LRTD, LHGD, SRTU, LRTU, |

BF25D4 (ZV7S2 43;13ZV70E1,extZV7S2 43;13ZV70E1,ZV7S2 33;13ZV70E1,extZV7S2 33;13ZV70E1,ZV7S2 G9;13ZV70E1,extZV7S2 G9;13ZV70E1,ZV7S2 H9;13ZV70E1,extZV7S2 H9;13ZV70E1,ZV7S2 G8;13ZV70E1,extZV7S2 G8;13ZV70E1,ZV7S2 H8;13ZV70E1,extZV7S2 H8;13ZV70E1,ZV7S2 13;13ZV70E1,extZV7S2 13;13ZV70E1,ZV7S2 12;13ZV70E1,extZV7S2 12;13ZV70E1)

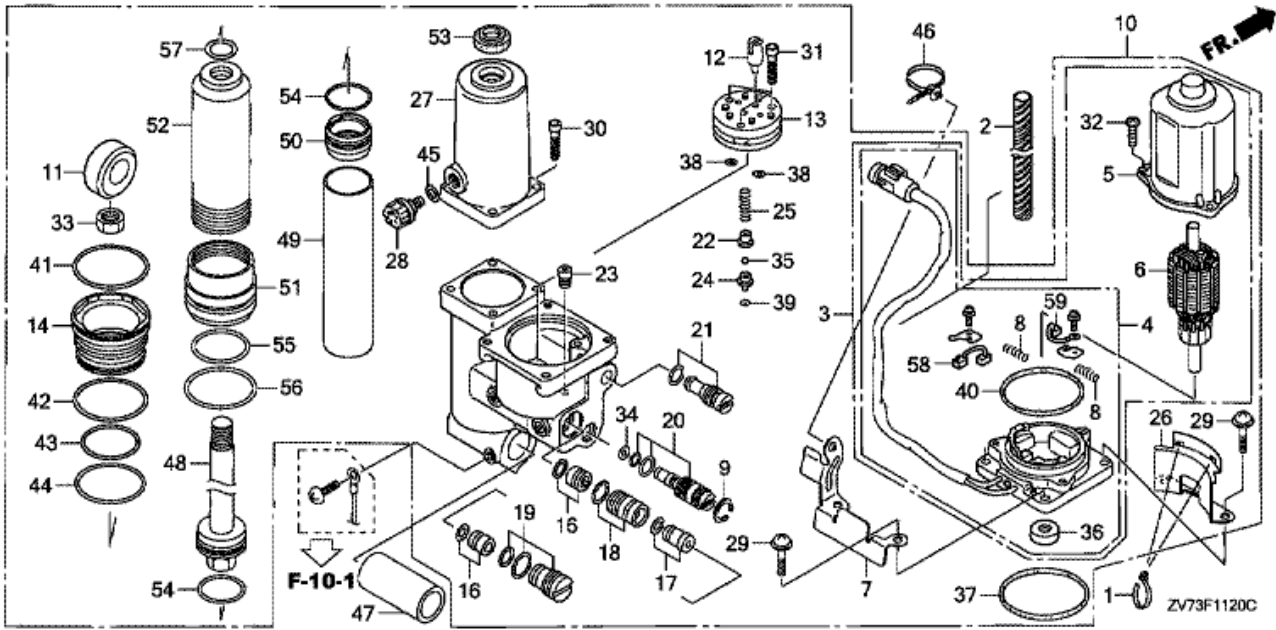
F-11-10 DAMPER



| Refnr | Parça Numarası | Açıklama | İlk numara | Son numara | Birim Adedi | Tipler |
|-------|----------------|---------------------|------------|------------|-------------|------------------|
| 1 | 50517ZW2F00 | LEVER, TILT | | | 001 | LHGD, SHGU, LHGU |
| 2 | 51601ZW2F01 | DAMPER ASSY., GAS | | 1003484 | 001 | SHGU |
| 2 | 51601ZW2F02 | DAMPER ASSY., GAS | 1007429 | 1008331 | 001 | SHGU |
| 2 | 51601ZW2F03 | DAMPER ASSY., GAS | 1008619 | | 001 | SHGU |
| 2 | 51601ZW2F21 | DAMPER ASSY., GAS | | 1007456 | 001 | LHGD, LHGU |
| 2 | 51601ZW2F22 | DAMPER ASSY., GAS | 1007457 | 1008323 | 001 | LHGD, LHGU |
| 2 | 51601ZW2F23 | DAMPER ASSY., GAS | 1008324 | | 001 | LHGD, LHGU |
| 3 | 90205ZY1000 | NUT, SELF-LOCK, 6MM | | | 001 | LHGD, SHGU, LHGU |

BF25D4 (ZV7S2 43;13ZV70E1,extZV7S2 43;13ZV70E1,ZV7S2 33;13ZV70E1,extZV7S2 33;13ZV70E1,ZV7S2 G9;13ZV70E1,extZV7S2 G9;13ZV70E1,ZV7S2 H9;13ZV70E1,extZV7S2 H9;13ZV70E1,ZV7S2 G8;13ZV70E1,extZV7S2 G8;13ZV70E1,ZV7S2 H8;13ZV70E1,extZV7S2 H8;13ZV70E1,ZV7S2 13;13ZV70E1,extZV7S2 13;13ZV70E1,ZV7S2 12;13ZV70E1,extZV7S2 12;13ZV70E1)

F-11-20 POWER TRIM TILT



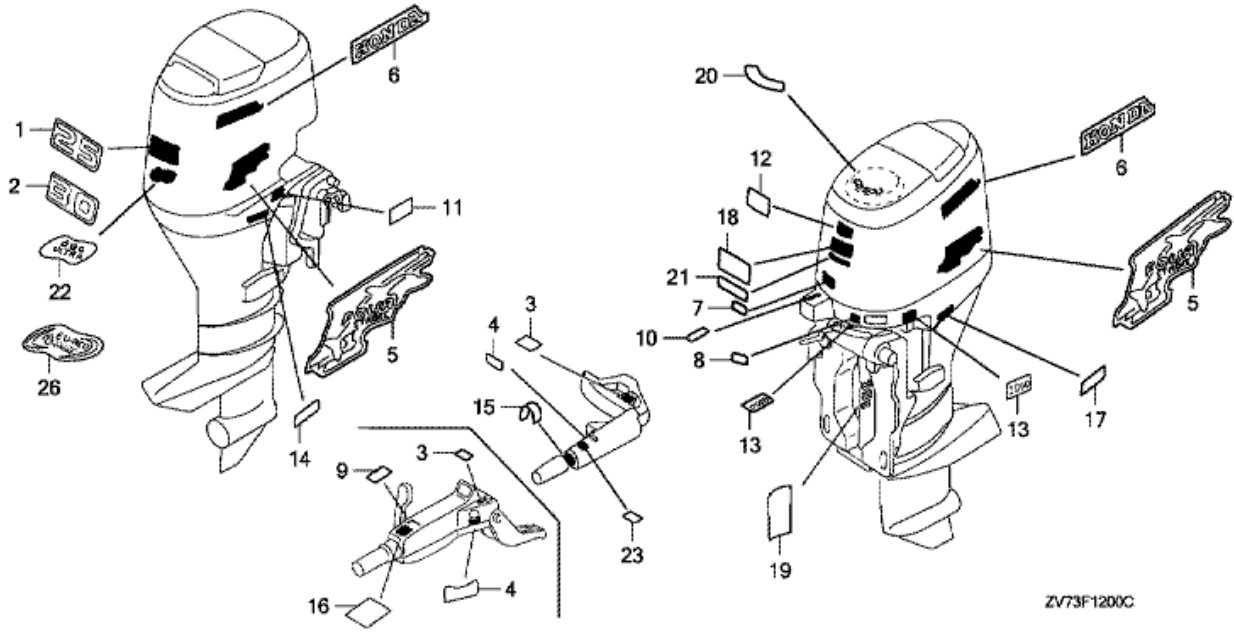
| Refnr | Parça Numarası | Açıklama | İlk numara | Son numara | Birim Adedi | Tipler |
|-------|----------------|-------------------------|------------|------------|-------------|------------------|
| 1 | 35701MG9950 | BAND (BLACK 3.5X140) | | 1012100 | 002 | LRTD, SRTU, LRTU |
| 2 | 36104ZV5821 | TUBE, SPIRAL | | | 001 | LRTD, SRTU, LRTU |
| 3 | 36120ZW2F11 | MOTOR ASSY., POWER TILT | | 1005100 | 001 | LRTD |
| 3 | 36120ZW2F12 | MOTOR ASSY., POWER TILT | 1005101 | | 001 | LRTD, SRTU, LRTU |
| 4 | 36122ZW2F11 | BRACKET ASSY. | | 1002827 | 001 | LRTD |
| 4 | 36122ZW2F12 | BRACKET ASSY. | 1005101 | | 001 | LRTD, SRTU, LRTU |
| 5 | 36123ZV5822 | YOKE COMP. | | 1003968 | 001 | LRTD, SRTU, LRTU |
| 5 | 36129ZV5822 | YOKE COMP. | 1003969 | | 001 | LRTD, SRTU, LRTU |
| 6 | 36123ZW4H11 | ARMATURE COMP. | | 1005100 | 001 | LRTD |
| 6 | 36123ZW4H12 | ARMATURE COMP. | 1005101 | | 001 | LRTD, SRTU, LRTU |
| 7 | 36125ZW2F11 | CLAMPER, CORD | | | 001 | LRTD, SRTU, LRTU |
| 8 | 36136ZV5821 | SPRING, MOTOR | | | 002 | LRTD, SRTU, LRTU |
| 9 | 53549ZY1871 | CIRCLIP, INTERNAL (16) | | | 001 | LRTD, SRTU, LRTU |
| 10 | 56000ZW2F11 | TRIM-TILT ASSY., POWER | | 1005100 | 001 | LRTD |
| 10 | 56000ZW2F12 | TRIM-TILT ASSY., POWER | 1002828 | | 001 | LRTD, SRTU, LRTU |
| 10 | 56000ZW2F13 | TRIM-TILT ASSY., POWER | 1006631 | 1008286 | 001 | LRTD, SRTU, LRTU |
| 10 | 56000ZW2F14 | TRIM-TILT ASSY., POWER | 1008287 | 1011951 | 001 | LRTD, SRTU, LRTU |
| 10 | 56000ZW2F15 | TRIM-TILT ASSY., POWER | 1011952 | | 001 | LRTD, SRTU, LRTU |
| 11 | 56113ZW2F11 | METAL, JOINT | | | 001 | LRTD, SRTU, LRTU |
| 12 | 56113766801 | JOINT, DRIVE | | | 001 | LRTD, SRTU, LRTU |
| 13 | 56114ZW4H11 | PUMP | | | 001 | LRTD, SRTU, LRTU |

| | | | | | | |
|----|-------------|------------------------------------|---------|---------|-----|------------------|
| 14 | 56115ZW4H11 | GUIDE, OUTER TUBE | | | 001 | LRTD, SRTU, LRTU |
| 16 | 56140ZW4H11 | VALVE COMP. B | | | 002 | LRTD, SRTU, LRTU |
| 17 | 56150ZW4H11 | SPOOL COMP. | | | 001 | LRTD, SRTU, LRTU |
| 18 | 56161ZY1871 | SLEEVE COMP. | | | 001 | LRTD, SRTU, LRTU |
| 19 | 56163ZY1871 | PLUG COMP. | | | 001 | LRTD, SRTU, LRTU |
| 20 | 56170ZW4H11 | VALVE COMP., MANUAL | | 1011951 | 001 | LRTD, SRTU, LRTU |
| 20 | 56170ZW4H12 | VALVE COMP., MANUAL | 1011952 | | 001 | LRTD, SRTU, LRTU |
| 21 | 56180ZW4H11 | VALVE COMP. | | | 001 | LRTD, SRTU, LRTU |
| 22 | 56182ZW4H11 | GUIDE, SPRING | | | 001 | LRTD, SRTU, LRTU |
| 23 | 56190ZW4H11 | VALVE, SET | | | 001 | LRTD, SRTU, LRTU |
| 24 | 56191ZW4H11 | SEAT B, VALVE | | | 001 | LRTD, SRTU, LRTU |
| 25 | 56192ZW4H11 | SPRING, VALVE | | | 001 | LRTD, SRTU, LRTU |
| 26 | 56517ZW2F11 | PLATE, SET | | | 001 | LRTD, SRTU, LRTU |
| 27 | 56851ZW4H11 | TANK, OIL | | | 001 | LRTD, SRTU, LRTU |
| 28 | 56860ZW4H11 | CAP, OIL TANK | | | 001 | LRTD, SRTU, LRTU |
| 29 | 90001ZV5791 | SCREW-WASHER | | | 004 | LRTD, SRTU, LRTU |
| 30 | 90111ZW4H11 | BOLT, SOCKET, 5X0.8 | | | 004 | LRTD, SRTU, LRTU |
| 31 | 90115ZV5821 | BOLT, SOCKET (B) | | | 003 | LRTD, SRTU, LRTU |
| 32 | 90134ZV5821 | SCREW, PAN, 5X20 | | | 003 | LRTD, SRTU, LRTU |
| 33 | 90302ZW2F11 | NUT, JOINT METAL | | | 001 | LRTD, SRTU, LRTU |
| 34 | 90402V15003 | WASHER, SEAL | 1003661 | | 001 | LRTD, SRTU, LRTU |
| 34 | 90402ZV5821 | WASHER, SEAL | | 1008286 | 001 | LRTD, SRTU, LRTU |
| 35 | 90921ZW4H11 | BALL, STEEL | | | 001 | LRTD, SRTU, LRTU |
| 36 | 91203ZV5821 | OIL SEAL | | | 001 | LRTD, SRTU, LRTU |
| 37 | 91302ZV5821 | O-RING, 1.8X69.6 | | | 001 | LRTD, SRTU, LRTU |
| 38 | 91304ZV5821 | O-RING, 1.5X6.5 | | | 002 | LRTD, SRTU, LRTU |
| 39 | 91311ZV5822 | O-RING, 1.5X3.5 | | | 001 | LRTD, SRTU, LRTU |
| 40 | 91318ZV5821 | O-RING, 2.0X55.5 | | 1005100 | 001 | LRTD |
| 40 | 91318ZV5822 | O-RING, 2.0X55.5 | | | 001 | LRTD, SRTU, LRTU |
| 41 | 91351ZW4H11 | O-RING, 2.0X52.5 | | | 001 | LRTD, SRTU, LRTU |
| 42 | 91352ZW4H11 | O-RING, 2.0X49.5 | | | 001 | LRTD, SRTU, LRTU |
| 43 | 91353ZW4H11 | O-RING, 2.4X41.2 | | | 001 | LRTD, SRTU, LRTU |
| 44 | 91354ZW4H11 | O-RING, 2.0X45.5 | | | 001 | LRTD, SRTU, LRTU |
| 45 | 91355ZW4H11 | O-RING, 1.8X10.8 | | | 001 | LRTD, SRTU, LRTU |
| 46 | 91541S0A003 | CLIP, HARNESS BAND (BLACK) (145MM) | | | 001 | LRTD, SRTU, LRTU |
| 47 | 91599ZW2F10 | COLLAR, DISTANCE | | | 001 | LRTD, SRTU, LRTU |

| | | | | | | |
|----|-------------|-----------------------|--|--|-----|---------------------|
| 48 | 56110ZW2F11 | ROD COMP., PISTON | | | 001 | LRTD, SRTU, LRTU |
| 49 | 56123ZW4H11 | CYLINDER | | | 001 | LRTD, SRTU, LRTU |
| 50 | 56130ZW4H11 | PISTON, FREE | | | 001 | LRTD, SRTU, LRTU |
| 51 | 56135ZW4H11 | BOTTOM, TILT CYLINDER | | | 001 | LRTD, SRTU, LRTU |
| 52 | 56511ZW4H11 | TUBE, OUTER | | | 001 | LRTD, SRTU, LRTU |
| 53 | 91251ZW4H11 | SEAL, WATER | | | 001 | LRTD, SRTU, LRTU |
| 54 | 91356ZW4H11 | O-RING, 2.0X28.5 | | | 002 | LRTD, SRTU, LRTU |
| 55 | 91357ZW4H11 | O-RING, 2.0X34.5 | | | 001 | LRTD, SRTU, LRTU |
| 56 | 91358ZW4H11 | O-RING, 3.5X41.7 | | | 001 | LRTD, SRTU, LRTU |
| 57 | 91359ZW4H11 | O-RING, 2.4X15.8 | | | 001 | LRTD, SRTU, LRTU |
| 58 | 30280ZW4H11 | BREAKER ASSY. | | | 001 | LRTD, SRTU, LRTU |
| 59 | 31106ZY3003 | BRUSH ASSY. | | | 001 | LRTD, SRTU, LRTU |

BF25D4 (ZV7S2 43;13ZV70E1,extZV7S2 43;13ZV70E1,ZV7S2 33;13ZV70E1,extZV7S2 33;13ZV70E1,ZV7S2 G9;13ZV70E1,extZV7S2 G9;13ZV70E1,ZV7S2 H9;13ZV70E1,extZV7S2 H9;13ZV70E1,ZV7S2 G8;13ZV70E1,extZV7S2 G8;13ZV70E1,ZV7S2 H8;13ZV70E1,extZV7S2 H8;13ZV70E1,ZV7S2 13;13ZV70E1,extZV7S2 13;13ZV70E1,ZV7S2 12;13ZV70E1,extZV7S2 12;13ZV70E1)

F-12 LABEL

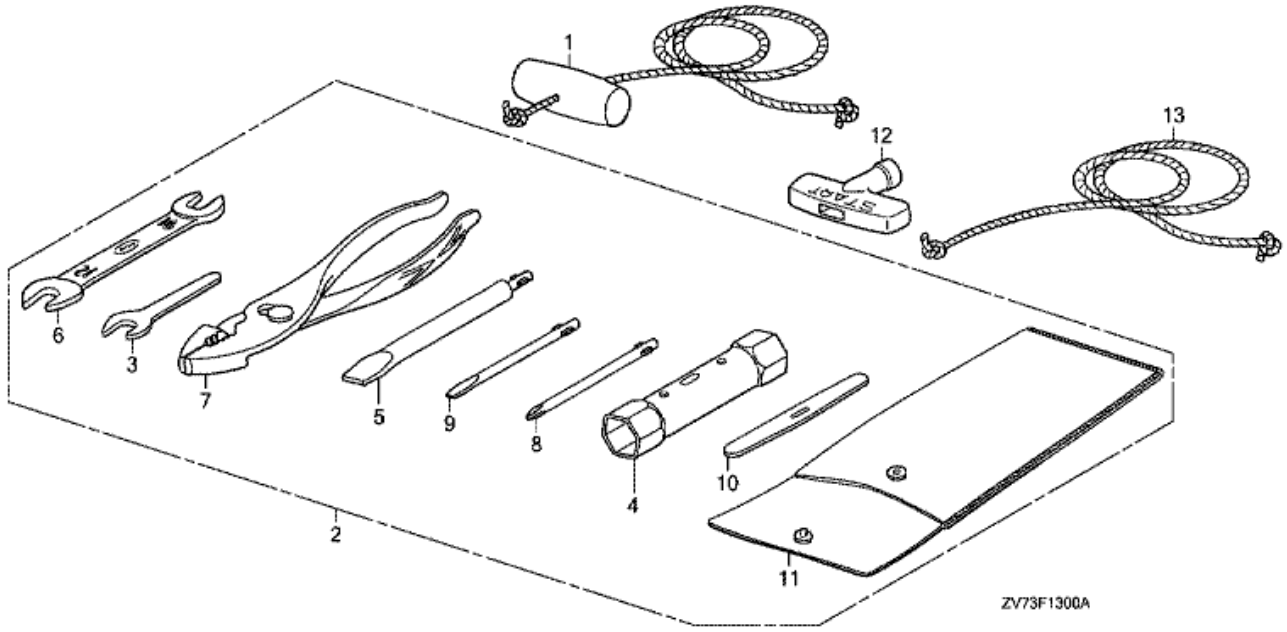


| Refnr | Parça Numarası | Acıklama | İlk numara | Son numara | Birim Adedi | Tipler |
|-------|----------------|--|------------|------------|-------------|--|
| 1 | 87121ZV7F00 | MARK, RR. (25) | | | 001 | SHD, LHD, LRTD, LHGD, SRTU, LRTU, SHGU, LHGU |
| 3 | 87124ZV3010 | MARK, EMERGENCY SWITCH INDICATION | | 1011887 | 001 | SHD, LHD, LRTD, LHGD, SHGU, LHGU |
| 3 | 87124ZZ5780 | MARK, EMERGENCY SWITCH INDICATION (EU) | 1004405 | | 001 | LRTD, SHGU, LHGU |
| 4 | 87125ZW1700 | MARK, STARTER (ENGLISH) | 1011745 | | 001 | LRTD, LHGD, SHGU, LHGU |
| 4 | 87125ZW1720 | MARK, STARTER (EF) | | | 001 | LRTD, LHGD, SHGU, LHGU |
| 5 | 87131ZW1N00 | MARK, SIDE | | | 002 | SHD, LHD, LRTD, LHGD, SRTU, LRTU, SHGU, LHGU |
| 6 | 87132ZW2E00 | MARK, SIDE STRIPE | | | 002 | SHD, LHD, LRTD, LHGD, SRTU, LRTU, SHGU, LHGU |
| 7 | 87135ZW5000 | MARK (E-SPEC) | | 1005245 | 001 | SHD, LHD, LRTD, LHGD, SRTU, LRTU, SHGU, LHGU |
| 8 | 87227ZV7000 | MARK, OIL PRESSURE | | | 001 | SHD, LHD |
| 9 | 87511ZW9620 | MARK, CHANGE (ENGLISH/FRENCH) | | | 001 | SHD, LHD, LRTD, LHGD, SHGU, LHGU |
| 11 | 87512ZW2F30 | MARK, RECEPTACLE (4A) | | | 001 | SHD, LHD |
| 12 | 87516VA9B50 | MARK, OPERATOR CAUTION | | 1011887 | 001 | SHD, LHD, LRTD, LHGD, SRTU, LRTU, SHGU, LHGU |
| 13 | 87516ZV4A10 | MARK, OPERATOR CAUTION | | 1011887 | 001 | SHD, LHD, LRTD, LHGD, SRTU, LRTU, SHGU, LHGU |
| 14 | 87531ZW4611 | LABEL, OIL CAUTION (ENGLISH/FRENCH) | | | 001 | SHD, LHD, LRTD, LHGD, |

| | | | | | | |
|----|-------------|---|---------|---------|-----|--|
| | | | | | | SRTU, LRTU, SHGU, LHGU |
| 16 | 87532ZW9620 | MARK, THROTTLE (ENGLISH/FRENCH) | | | 001 | SHD, LHD, LRTD, LHGD, SHGU, LHGU |
| 17 | 87535ZV5610 | LABEL, STORING CAUTION (ENGLISH/FRENCH) | | 1011887 | 001 | SHD, LHD, LRTD, LHGD, SRTU, LRTU, SHGU, LHGU |
| 17 | 87535ZV5620 | LABEL, STORING CAUTION (ENGLISH) | | 1004850 | 001 | SHD, LHD, LRTD, LHGD |
| 17 | 87535ZW6U80 | LABEL, STORING CAUTION (EU) | 1011888 | | 001 | SRTU, LRTU, SHGU, LHGU |
| 18 | 87538ZW1720 | LABEL, WARNING OPERATOR (EC) | | 1006334 | 001 | SHD, LHD, LRTD, LHGD, SRTU, LRTU, SHGU, LHGU |
| 18 | 87538ZW1721 | LABEL, WARNING OPERATOR (EC) | 1003206 | 1004404 | 001 | SHD, LHD, LRTD, LHGD, SRTU, LRTU, SHGU, LHGU |
| 18 | 87538ZY9U80 | LABEL, WARNING OPERATOR (EU) | 1011888 | | 001 | SRTU, LRTU, SHGU, LHGU |
| 19 | 87541ZV5611 | LABEL, ASSIST TILT CAUTION (ENGLISH/FRENCH) | | | 001 | LHGD, SHGU, LHGU |
| 20 | 87546ZV7010 | MARK, EMERGENCY START (ENGLISH) | | 1007331 | 001 | SHD, LHD, LRTD, LHGD, SRTU, LRTU, SHGU, LHGU |
| 20 | 87546ZV7612 | MARK, EMERGENCY START (ENGLISH/FRENCH) | | | 001 | SRTU, LRTU, SHGU, LHGU |
| 20 | 87546ZW2000 | MARK, EMERGENCY START (ENGLISH) | 1007332 | 1011887 | 001 | SHD, LHD, LRTD, LHGD, SRTU, LRTU, SHGU, LHGU |
| 20 | 87546ZW2610 | MARK, EMERGENCY START (FRENCH) | 1007332 | 1011887 | 001 | SRTU, LRTU, SHGU, LHGU |
| 20 | 87546ZW2U80 | MARK,EMERGENCY START (EU) | 1011888 | | 001 | SRTU, LRTU, SHGU, LHGU |
| 22 | 87634ZW1N01 | MARK, ENVIRONMENT (ULTRA LOW EMISSION) (3-STAR) | | | 001 | SHD, LHD, LRTD, LHGD |
| 26 | 87634ZY6U80 | MARK, ENVIRONMENT (RCD) | | | 001 | SRTU, LRTU, SHGU, LHGU |

BF25D4 (ZV7S2 43;13ZV70E1,extZV7S2 43;13ZV70E1,ZV7S2 33;13ZV70E1,extZV7S2 33;13ZV70E1,ZV7S2 G9;13ZV70E1,extZV7S2 G9;13ZV70E1,ZV7S2 H9;13ZV70E1,extZV7S2 H9;13ZV70E1,ZV7S2 G8;13ZV70E1,extZV7S2 G8;13ZV70E1,ZV7S2 H8;13ZV70E1,extZV7S2 H8;13ZV70E1,ZV7S2 13;13ZV70E1,extZV7S2 13;13ZV70E1,ZV7S2 12;13ZV70E1,extZV7S2 12;13ZV70E1)

F-13 TOOL

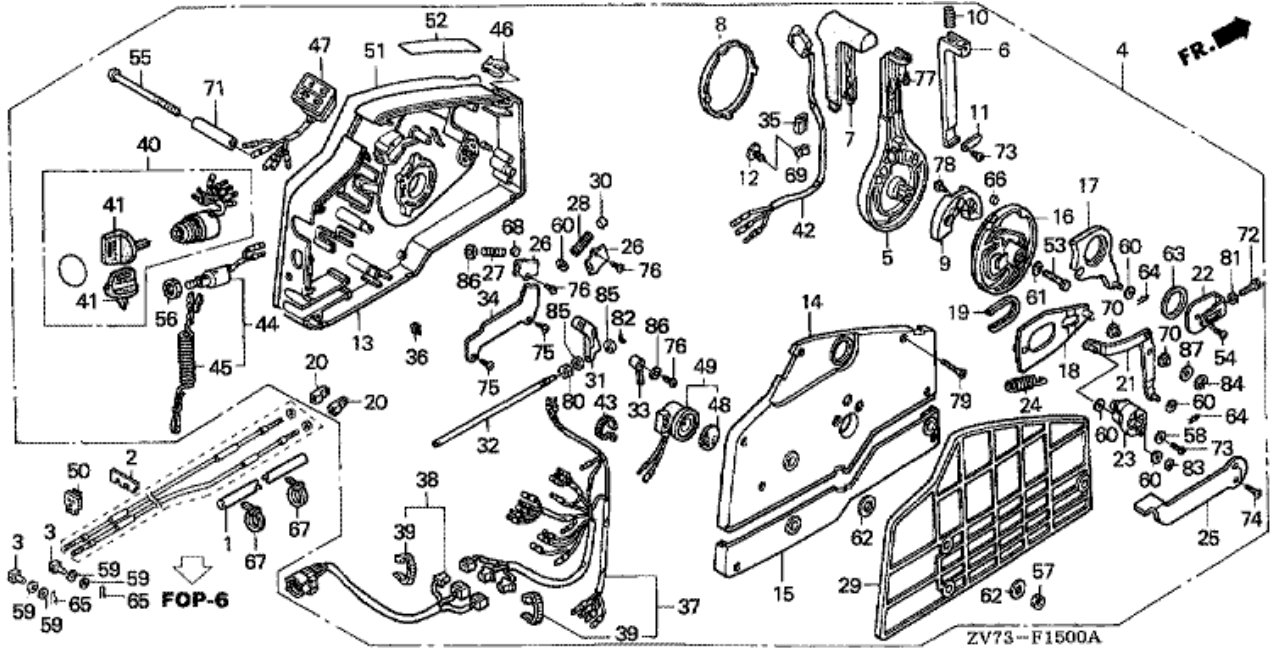


| Refnr | Parça Numarası | Açıklama | İlk numara | Son numara | Birim Adedi | Tipler |
|-------|----------------|------------------------------|------------|------------|-------------|--|
| 1 | 28470816000 | ROPE, STARTER | | 1011617 | 001 | SHD, LHD, LRTD, LHGD, SRTU, LRTU, SHGU, LHGU |
| 2 | 89000ZV5000 | TOOL KIT | | | 001 | SHD, LHD, LRTD, LHGD, SRTU, LRTU, SHGU, LHGU |
| 3 | 89203836000 | SPANNER, 8MM | | | 001 | SHD, LHD, LRTD, LHGD, SRTU, LRTU, SHGU, LHGU |
| 4 | 89211881000 | WRENCH, BOX (P18X19) | | | 001 | SHD, LHD, LRTD, LHGD, SRTU, LRTU, SHGU, LHGU |
| 5 | 89301921010 | DRIVER, CHECK BOLT | | | 001 | SHD, LHD, LRTD, LHGD, SRTU, LRTU, SHGU, LHGU |
| 6 | 9900110120 | SPANNER, 10X12 | | | 001 | SHD, LHD, LRTD, LHGD, SRTU, LRTU, SHGU, LHGU |
| 7 | 9900213500 | PLIERS, 135 | | | 001 | SHD, LHD, LRTD, LHGD, SRTU, LRTU, SHGU, LHGU |
| 8 | 9900310000 | DRIVER 1, PLUS SCREW (NO.2) | | | 001 | SHD, LHD, LRTD, LHGD, SRTU, LRTU, SHGU, LHGU |
| 9 | 9900330000 | DRIVER 3, MINUS SCREW (NO.2) | | | 001 | SHD, LHD, LRTD, LHGD, SRTU, LRTU, SHGU, LHGU |
| 10 | 9900340000 | LEVER | | | 001 | SHD, LHD, LRTD, LHGD, SRTU, LRTU, SHGU, LHGU |
| 11 | 9900802000 | BAG, TOOL, 200MM | | | 001 | SHD, LHD, |

| | | | | | | |
|----|-------------|----------------------|---------|--|-----|--|
| | | | | | | LRTD, LHGD, SRTU, LRTU, SHGU, LHGU |
| 12 | 28461ZH8003 | GRIP, STARTER | 1004317 | | 001 | LRTD, LHGD, SRTU, LRTU, SHGU, LHGU |
| 12 | 28461ZH8013 | GRIP, STARTER | 1011864 | | 001 | LRTD, LHGD, SRTU, LRTU, SHGU, LHGU |
| 13 | 28462ZW9003 | ROPE, RECOIL STARTER | 1011618 | | 001 | LRTD, LHGD, SRTU, LRTU, SHGU, LHGU |

BF25D4 (ZV7S2 43;13ZV70E1,extZV7S2 43;13ZV70E1,ZV7S2 33;13ZV70E1,extZV7S2 33;13ZV70E1,ZV7S2 G9;13ZV70E1,extZV7S2 G9;13ZV70E1,ZV7S2 H9;13ZV70E1,extZV7S2 H9;13ZV70E1,ZV7S2 G8;13ZV70E1,extZV7S2 G8;13ZV70E1,ZV7S2 H8;13ZV70E1,extZV7S2 H8;13ZV70E1,ZV7S2 13;13ZV70E1,extZV7S2 13;13ZV70E1,ZV7S2 12;13ZV70E1,extZV7S2 12;13ZV70E1)

F-15 REMOTE CONTROL



| Refnr | Parça Numarası | Acıklama | İlk numara | Son numara | Birim Adedi | Tipler |
|-------|----------------|---|------------|------------|-------------|------------------|
| 1 | 17736ZW1000 | TUBE, CORRUGATE (28MM) | | | 001 | LRTD, SRTU, LRTU |
| 2 | 17877ZV5000 | PLATE, REMOTE CONTROL CABLE | | | 001 | LRTD, SRTU, LRTU |
| 3 | 24618ZV5000 | PIVOT, SHIFT | | | 002 | LRTD, SRTU, LRTU |
| 4 | 24800ZW2U80 | BOX ASSY., REMOTE CONTROL (EU) | 1011888 | | 001 | SRTU, LRTU |
| 4 | 24800ZW4H10 | BOX ASSY., REMOTE CONTROL (P/T) | | 1001887 | 001 | LRTD |
| 4 | 24800ZW4H11 | BOX ASSY., REMOTE CONTROL (P/T) | 1001888 | | 001 | LRTD, SRTU, LRTU |
| 4 | 24800ZW4H12 | BOX ASSY., REMOTE CONTROL (P/T) | 1007274 | 1008420 | 001 | LRTD, SRTU, LRTU |
| 4 | 24800ZW4H13 | BOX ASSY., REMOTE CONTROL (P/T) | 1008421 | 1010299 | 001 | LRTD, SRTU, LRTU |
| 4 | 24800ZW4H14 | BOX ASSY., REMOTE CONTROL (P/T) (2-LED) | 1004087 | 1004391 | 001 | LRTD, SRTU, LRTU |
| 5 | 24811ZV5000 | HANDLE, REMOTE CONTROL | | 1008420 | 001 | LRTD, SRTU, LRTU |
| 5 | 24811ZV5010 | HANDLE, REMOTE CONTROL | 1008421 | | 001 | LRTD, SRTU, LRTU |
| 6 | 24812ZV5000 | LEVER, HANDLE LOCK | | | 001 | LRTD, SRTU, LRTU |
| 7 | 24813ZV5000 | GRIP, REMOTE CONTROL HANDLE | | | 001 | LRTD, SRTU, LRTU |
| 8 | 24814ZV5010 | CAP, HANDLE | | | 001 | LRTD, SRTU, LRTU |
| 9 | 24815ZV5000 | BLOCK, NEUTRAL LOCK | | 1008420 | 001 | LRTD, SRTU, LRTU |
| 9 | 24815ZV5010 | BLOCK, NEUTRAL LOCK | 1008421 | | 001 | LRTD, SRTU, LRTU |
| 10 | 24816ZV5000 | SPRING, REMOTE CONTROL HANDLE | | | 001 | LRTD, SRTU, LRTU |
| 11 | 24817ZV5000 | PLATE, LEVER SETTING | | | 001 | LRTD, SRTU, LRTU |
| 12 | 24818ZV5003 | CLAMP, HARNESS | | | 001 | LRTD, SRTU, LRTU |
| 13 | 24820ZV5000 | HOUSING COMP., REMOTE CONTROL BOX (A) | | 1008420 | 001 | LRTD, SRTU, LRTU |

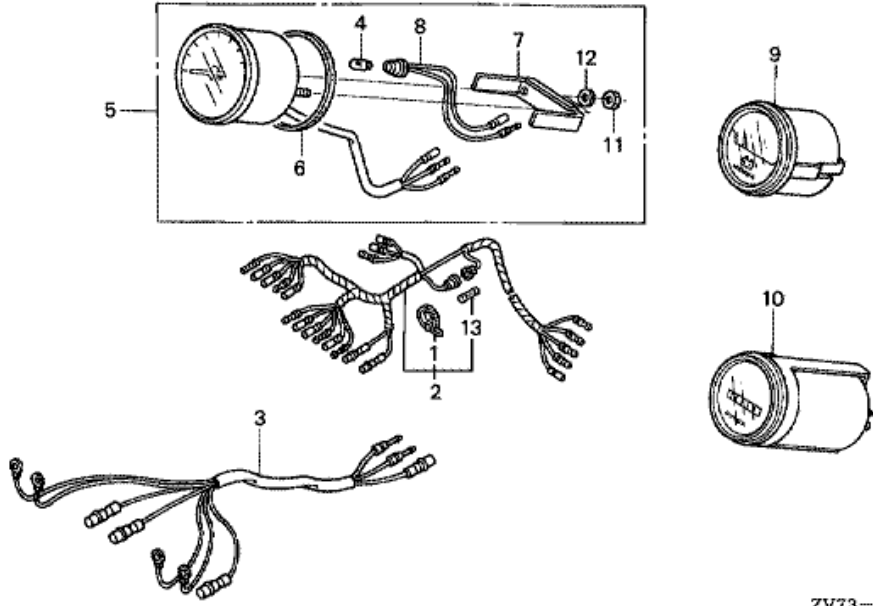
| | | | | | | |
|----|-------------|---------------------------------------|---------|---------|-----|------------------|
| 13 | 24820ZV5010 | HOUSING COMP., REMOTE CONTROL BOX (A) | 1008421 | | 001 | LRTD, SRTU, LRTU |
| 14 | 24830ZV5010 | HOUSING COMP., REMOTE CONTROL BOX (B) | | | 001 | LRTD, SRTU, LRTU |
| 15 | 24836ZV5000 | HOUSING, REMOTE CONTROL BOX (C) | | | 001 | LRTD, SRTU, LRTU |
| 16 | 24841ZV5000 | WHEEL, CONTROL | | | 001 | LRTD, SRTU, LRTU |
| 17 | 24845ZV5000 | ARM COMP., SHIFT LINK | | | 001 | LRTD, SRTU, LRTU |
| 18 | 24850ZV5000 | PLATE COMP., SLIDING | | | 001 | LRTD, SRTU, LRTU |
| 19 | 24854ZV5000 | COLLAR, SLIDING PLATE | | | 001 | LRTD, SRTU, LRTU |
| 20 | 24855ZV5000 | PIVOT, SHIFT | | | 002 | LRTD, SRTU, LRTU |
| 21 | 24860ZV5000 | ARM COMP., LINK JOINT | | | 001 | LRTD, SRTU, LRTU |
| 22 | 24865ZV5000 | BRACKET, LINK JOINT | | | 001 | LRTD, SRTU, LRTU |
| 23 | 24875ZV5000 | WHEEL, ACCELERATOR | | | 001 | LRTD, SRTU, LRTU |
| 24 | 24876ZV5000 | SPRING, ACCELERATOR WHEEL | | | 001 | LRTD, SRTU, LRTU |
| 25 | 24878ZV5000 | LEVER, IDLE | | | 001 | LRTD, SRTU, LRTU |
| 26 | 24881ZV5000 | PLATE, SPRING SETTING | | | 002 | LRTD, SRTU, LRTU |
| 27 | 24883ZV5000 | SPRING, SHIFT CLICK | | | 001 | LRTD, SRTU, LRTU |
| 28 | 24884ZV5000 | SPRING, CHOKE RETURN | | | 001 | LRTD, SRTU, LRTU |
| 29 | 24885ZV5000 | SPACER, REMOTE CONTROL BOX | | | 001 | LRTD, SRTU, LRTU |
| 30 | 24887ZV5000 | SPACER, CLICK SPRING | | | 001 | LRTD, SRTU, LRTU |
| 31 | 24891ZV5000 | BLOCK, THROTTLE FRICTION | | | 001 | LRTD, SRTU, LRTU |
| 32 | 24892ZV5000 | BOLT, FRICTION | | | 001 | LRTD, SRTU, LRTU |
| 33 | 24894ZV5000 | SPACER, NEUTRAL SWITCH | | | 001 | LRTD, SRTU, LRTU |
| 34 | 24895ZV5000 | CLAMP, POWER TILT CORD | | | 001 | LRTD, SRTU, LRTU |
| 35 | 24897ZV5000 | PIPE, HARNESS GUIDE | | | 001 | LRTD, SRTU, LRTU |
| 36 | 24898ZV5000 | SPACER, CABLE CLAMP | | | 001 | LRTD, SRTU, LRTU |
| 37 | 32530ZY3000 | CABLE ASSY., REMOTE CONTROL (B) | | 1001053 | 001 | LRTD |
| 37 | 32530ZY3010 | CABLE ASSY., REMOTE CONTROL (B) | 1001888 | | 001 | LRTD, SRTU, LRTU |
| 38 | 32580ZY3000 | CABLE ASSY., SWITCH PANEL | | | 001 | LRTD, SRTU, LRTU |
| 39 | 32901952770 | TIE, CABLE (2.4X92) (NATURAL) | | | 004 | LRTD, SRTU, LRTU |
| 40 | 35100ZV5003 | SWITCH ASSY., COMBINATION | | 1010299 | 001 | LRTD, SRTU, LRTU |
| 40 | 35100ZV5013 | SWITCH ASSY., COMBINATION | 1004087 | | 001 | LRTD, SRTU, LRTU |
| 41 | 35110ZV5003 | KEY ASSY., COMBINATION SWITCH | | | 002 | LRTD, SRTU, LRTU |
| 42 | 35370ZV5823 | SWITCH ASSY., POWER TRIM-TILT | | | 001 | LRTD, SRTU, LRTU |
| 43 | 35701MG9950 | BAND (BLACK 3.5X140) | | | 001 | LRTD, SRTU, LRTU |
| 44 | 36180ZV5013 | SWITCH ASSY., EMERGENCY STOP | | 1007273 | 001 | LRTD, SRTU, LRTU |
| 44 | 36180ZV5023 | SWITCH ASSY., EMERGENCY STOP | 1007274 | | 001 | LRTD, SRTU, LRTU |
| 45 | 36182ZV4650 | CORD COMP., EMERGENCY | | 1007273 | 001 | LRTD, SRTU, LRTU |

| | | | | | | |
|----|--------------|--|---------|---------|-----|------------------|
| 45 | 36182ZV4651 | CORD COMP., EMERGENCY | 1007274 | | 001 | LRTD, SRTU, LRTU |
| 46 | 36187ZV4651 | CLIP, EMERGENCY LOCK | | 1007273 | 001 | LRTD, SRTU, LRTU |
| 46 | 36187ZV4652 | CLIP, EMERGENCY LOCK | 1007274 | | 001 | LRTD, SRTU, LRTU |
| 47 | 37210ZV5013 | LAMP ASSY., INDICATION (2-LED) | | | 001 | LRTD, SRTU, LRTU |
| 48 | 38403341672 | PLATE, WINKER BUZZER | | | 001 | LRTD, SRTU, LRTU |
| 49 | 38410ZV5003 | BUZZER COMP., WARNING | | | 001 | LRTD, SRTU, LRTU |
| 50 | 40105ZV5000 | GROMMET, UNDER CASE (A) | | | 001 | LRTD, SRTU, LRTU |
| 51 | 87701ZV5010 | PLATE, REMOTE CONTROL (CAUTION=SILVER) | | 1011887 | 001 | LRTD, SRTU, LRTU |
| 51 | 87701ZZ5780 | PLATE, REMOTE CONTROL (EU) | 1011888 | | 001 | SRTU, LRTU |
| 52 | 87702ZW9800 | MARK, FAST IDLE | | | 001 | LRTD, SRTU, LRTU |
| 53 | 90008ZW9000 | BOLT, FLANGE, 8X35 | | | 001 | LRTD, SRTU, LRTU |
| 53 | 90009ZV5000 | BOLT, HEX., 8X35 | | 1004903 | 001 | LRTD |
| 54 | 90105MM4000 | SCREW, PAN, 6X10 | | | 001 | LRTD, SRTU, LRTU |
| 55 | 90125ZV5000 | SCREW, 6X95 | | | 003 | LRTD, SRTU, LRTU |
| 56 | 90302921000 | NUT, HEX., 16MM | | | 001 | LRTD, SRTU, LRTU |
| 57 | 90304ZV4000 | NUT, HEX., 6MM | | | 003 | LRTD, SRTU, LRTU |
| 58 | 90502ZV4000 | WASHER, PLAIN, 5MM | | | 001 | LRTD, SRTU, LRTU |
| 59 | 90504921010 | WASHER, PLAIN, 6MM | | | 004 | LRTD, SRTU, LRTU |
| 60 | 90504921010 | WASHER, PLAIN, 6MM | | | 005 | LRTD, SRTU, LRTU |
| 60 | 90506ZV4000 | WASHER, PLAIN, 6MM | | 1004903 | 005 | LRTD |
| 61 | 90507ZV4000 | WASHER, PLAIN, 8MM | | 1004903 | 001 | LRTD |
| 62 | 90512921010 | WASHER, 6MM | | | 006 | LRTD, SRTU, LRTU |
| 63 | 90557ZV5000 | WASHER, 28MM | | | 001 | LRTD, SRTU, LRTU |
| 64 | 90751ZV5000 | PIN, LOCK, 6MM | | | 002 | LRTD, SRTU, LRTU |
| 65 | 90765ZV5000 | PIN, SPECIAL LOCK, 6MM | | | 002 | LRTD, SRTU, LRTU |
| 66 | 90772ZV5000 | PIN, 6X6 | | | 001 | LRTD, SRTU, LRTU |
| 67 | 91058MG9681 | BAND, SELF LOCK | | | 002 | LRTD, SRTU, LRTU |
| 68 | 91151ZV5000 | ROLLER, CLICK | | | 001 | LRTD, SRTU, LRTU |
| 69 | 91475SB6000 | CLIP, WIRE HARNESS (6.3MM) | | | 001 | LRTD, SRTU, LRTU |
| 70 | 91567ZV5000 | COLLAR, LINK JOINT | | | 002 | LRTD, SRTU, LRTU |
| 71 | 91570ZV5000 | COLLAR, DISTANCE, 6X10X43.5 | | | 003 | LRTD, SRTU, LRTU |
| 72 | 92101050164J | BOLT, HEX., 5X16 | | | 001 | LRTD, SRTU, LRTU |
| 73 | 93500050104J | SCREW, PAN, 5X10 | | | 002 | LRTD, SRTU, LRTU |
| 74 | 90108ZW4000 | SCREW, FLAT, 5X12 | 1002780 | | 002 | LRTD, SRTU, LRTU |
| 74 | 93700050124J | SCREW, OVAL, 5X12 | | 1004903 | 002 | LRTD |
| 75 | 93901250J0 | SCREW, TAPPING, 5X8 | | | 002 | LRTD, SRTU, LRTU |
| 76 | 93901251J0 | SCREW, TAPPING, 5X10 | | | 003 | LRTD, SRTU, LRTU |
| 77 | 93901252J0 | SCREW, TAPPING, 5X12 | | | 001 | LRTD, SRTU, LRTU |

| | | | | | | |
|----|--------------|---------------------------------|---------|---------|-----|---------------------|
| 78 | 93903262J0 | SCREW, TAPPING, 6X16 | | | 002 | LRTD, SRTU, LRTU |
| 79 | 93905255J0 | SCREW, TAPPING, 5X25 | | | 007 | LRTD, SRTU, LRTU |
| 80 | 94001064900S | NUT, HEX., 6MM | | | 001 | LRTD, SRTU, LRTU |
| 81 | 94002054900S | NUT, HEX., 5MM | | | 001 | LRTD, SRTU, LRTU |
| 82 | 9454003029 | E-RING, 3MM | | | 001 | LRTD, SRTU, LRTU |
| 83 | 9454004029 | E-RING, 4MM | | | 001 | LRTD, SRTU, LRTU |
| 84 | 9454007029 | E-RING, 7MM | | | 001 | LRTD, SRTU, LRTU |
| 85 | 90401ZW4000 | WASHER, PLAIN, 4MM | | | 002 | LRTD, SRTU, LRTU |
| 86 | 90402ZW4000 | WASHER, PLAIN, 5MM | | | 002 | LRTD, SRTU, LRTU |
| 87 | 90507ZV4000 | WASHER, PLAIN, 8MM | | 1002779 | 001 | LRTD |
| 87 | 90518921000 | WASHER, PLAIN, 8MM | 1004904 | | 001 | LRTD, SRTU, LRTU |
| 88 | 87701ZZ5790 | PLATE, REMOTE CONTROL (REVERSE) | | | (1) | LRTD, SRTU, LRTU |

BF25D4 (ZV7S2 43;13ZV70E1,extZV7S2 43;13ZV70E1,ZV7S2 33;13ZV70E1,extZV7S2 33;13ZV70E1,ZV7S2 G9;13ZV70E1,extZV7S2 G9;13ZV70E1,ZV7S2 H9;13ZV70E1,extZV7S2 H9;13ZV70E1,ZV7S2 G8;13ZV70E1,extZV7S2 G8;13ZV70E1,ZV7S2 H8;13ZV70E1,extZV7S2 H8;13ZV70E1,ZV7S2 13;13ZV70E1,extZV7S2 13;13ZV70E1,ZV7S2 12;13ZV70E1,extZV7S2 12;13ZV70E1)

FOP-1 METER

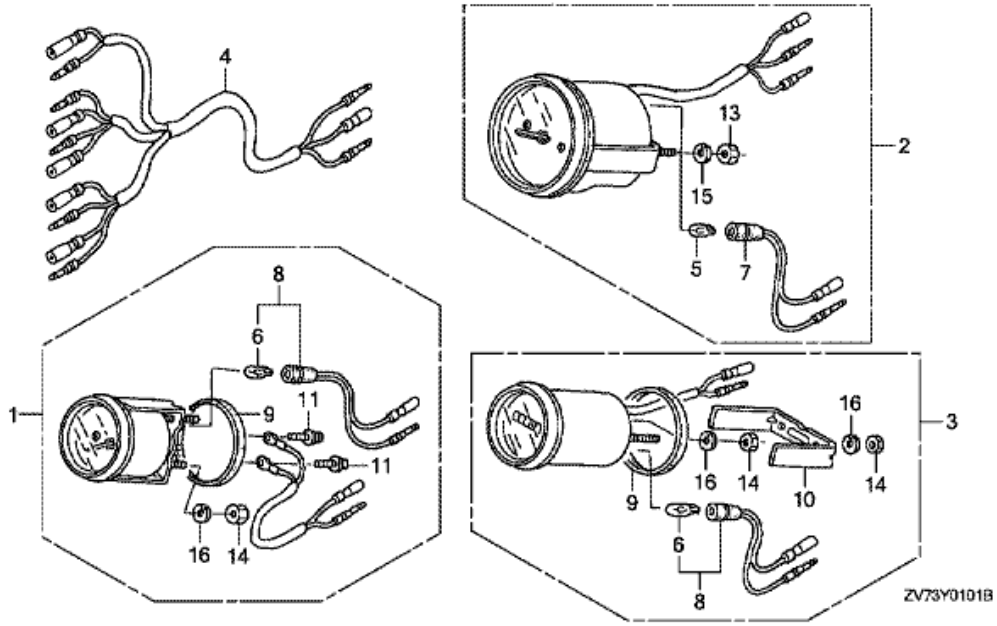


ZV73-Y0100

| Refnr | Parça Numarası | Acıklama | İlk numara | Son numara | Birim Adedi | Tipler |
|-------|----------------|---|------------|------------|-------------|------------------------------------|
| 1 | 32161404000 | BAND B1, WIRE | | | (1) | LRTD, LHGD, SHGU, LHGU |
| 2 | 32540ZV5911 | HARNESS ASSY., METER (A) | | 1011725 | (1) | LRTD, LHGD, SHGU, LHGU |
| 2 | 32540ZZ3000 | HARNESS ASSY., METER (A) | 1011726 | | (1) | LRTD, LHGD, SHGU, LHGU |
| 3 | 32550ZV5910 | HARNESS ASSY., METER (B) | | | (1) | LRTD, LHGD, SRTU, LRTU, SHGU, LHGU |
| 4 | 34908MB9871 | BULB, WEDGE BASE (T10) (12V 1.7W) (STANLEY) | | | (1) | LRTD, LHGD, SHGU, LHGU |
| 5 | 37250ZV7912 | TACHOMETER ASSY. | 1004400 | 1007128 | (1) | LRTD, LHGD, SHGU, LHGU |
| 5 | 37250ZV7913 | TACHOMETER ASSY. | 1007129 | | (1) | LRTD, LHGD, SHGU, LHGU |
| 5 | 37250ZW2911 | TACHOMETER ASSY. | | 1002657 | (1) | LRTD, LHGD |
| 6 | 37253ZV5821 | PACKING | | | (1) | LRTD, LHGD, SHGU, LHGU |
| 7 | 37256ZV5821 | BRACKET | | | (1) | LRTD, LHGD, SHGU, LHGU |
| 8 | 37258ZV5821 | SOCKET COMP. | | | (1) | LRTD, LHGD, SHGU, LHGU |
| 9 | 37450ZV5911 | METER ASSY., VOLT | | | (1) | LRTD, LHGD, SRTU, LRTU, SHGU, LHGU |
| 10 | 39700ZV5912 | METER ASSY., HOUR | | | (1) | LRTD, LHGD, SRTU, LRTU, SHGU, LHGU |
| 11 | 90309ZV5821 | NUT, HEX., 5MM | | | (2) | LRTD, LHGD, SHGU, LHGU |
| 12 | 90550ZV5821 | WASHER, SPRING, 5MM | | | (2) | LRTD, LHGD, SHGU, LHGU |
| 13 | 9820011000 | FUSE A (10A) | | | (1) | LRTD, LHGD, SHGU, LHGU |

BF25D4 (ZV7S2 43;13ZV70E1,extZV7S2 43;13ZV70E1,ZV7S2 33;13ZV70E1,extZV7S2 33;13ZV70E1,ZV7S2 G9;13ZV70E1,extZV7S2 G9;13ZV70E1,ZV7S2 H9;13ZV70E1,extZV7S2 H9;13ZV70E1,ZV7S2 G8;13ZV70E1,extZV7S2 G8;13ZV70E1,ZV7S2 H8;13ZV70E1,extZV7S2 H8;13ZV70E1,ZV7S2 13;13ZV70E1,extZV7S2 13;13ZV70E1,ZV7S2 12;13ZV70E1,extZV7S2 12;13ZV70E1)

FOP-1-1 METER KIT

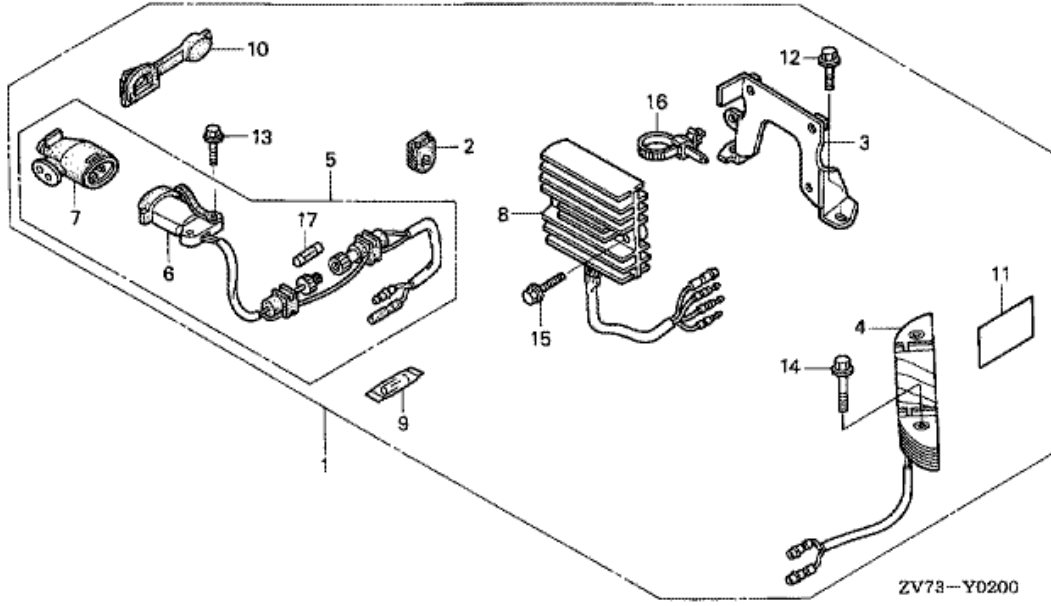


| Refnr | Parça Numarası | Açıklama | İlk numara | Son numara | Birim Adedi | Tipler |
|-------|----------------|---|------------|------------|-------------|------------------------------------|
| 1 | 06374ZW5U00 | METER KIT, VOLT | | | (1) | LRTD, LHGD, SRTU, LRTU, SHGU, LHGU |
| 1 | 06374ZW5U10 | METER KIT, VOLT (B) | | | (1) | LRTD, LHGD, SRTU, LRTU |
| 2 | 06375ZV7U00 | METER KIT, TACHO | | 1002657 | (1) | LRTD, LHGD |
| 2 | 06375ZV7U10 | METER KIT, TACHO (B) | | 1002657 | (1) | LRTD, LHGD |
| 2 | 06375ZW5U00 | METER KIT, TACHO | 1002658 | | (1) | LRTD, LHGD, SRTU, LRTU, SHGU, LHGU |
| 2 | 06375ZW5U01 | METER KIT, TACHO | | | (1) | LRTD, LHGD, SRTU, LRTU, SHGU, LHGU |
| 2 | 06375ZW5U10 | METER KIT, TACHO (B) | 1004400 | 1007128 | (1) | LRTD |
| 2 | 06375ZW5U11 | METER KIT, TACHO (B) | 1007129 | | (1) | LRTD |
| 3 | 06397ZW5U00 | METER KIT, HOUR | | | (1) | LRTD, LHGD, SRTU, LRTU, SHGU, LHGU |
| 3 | 06397ZW5U10 | METER KIT, HOUR (B) | | | (1) | LRTD, LHGD, SRTU, LRTU |
| 4 | 32550ZW5U00 | HARNESS ASSY., METER (B) | | | (1) | LRTD, LHGD, SRTU, LRTU, SHGU, LHGU |
| 5 | 34908MB9871 | BULB, WEDGE BASE (T10) (12V 1.7W) (STANLEY) | | | (1) | LRTD, LHGD, SRTU, LRTU, SHGU, LHGU |
| 6 | 34908MG9951 | BULB, WEDGE BASE (12V 1.7W) | | | (2) | LRTD, LHGD, SRTU, LRTU, SHGU, LHGU |
| 7 | 37258ZV5U01 | SOCKET COMP. | | | (1) | LRTD, LHGD, SRTU, LRTU, SHGU, LHGU |
| 8 | 37258ZW5U01 | SOCKET COMP. | | | (2) | LRTD, LHGD, SRTU, LRTU, SHGU, LHGU |
| 9 | 37264ZV5821 | PACKING | | | (2) | LRTD, LHGD, SRTU, LRTU, SHGU, LHGU |
| 10 | 37266ZV5821 | BRACKET | | | (1) | LRTD, LHGD, SRTU, LRTU, SHGU, LHGU |

| | | | | | | |
|----|-------------|---------------------|--|--|-----|--|
| 11 | 37305KE5008 | SCREW-WASHER, 3X22 | | | (2) | LRTD, LHGD, SRTU, LRTU, SHGU, LHGU |
| 13 | 90309ZV5821 | NUT, HEX., 5MM | | | (2) | LRTD, LHGD, SRTU, LRTU, SHGU, LHGU |
| 14 | 90310ZV5821 | NUT, HEX., 4MM | | | (4) | LRTD, LHGD, SRTU, LRTU, SHGU, LHGU |
| 15 | 90550ZV5821 | WASHER, SPRING, 5MM | | | (2) | LRTD, LHGD, SRTU, LRTU, SHGU, LHGU |
| 16 | 90560ZV5821 | WASHER, SPRING, 4MM | | | (4) | LRTD, LHGD, SRTU, LRTU, SHGU, LHGU |

BF25D4 (ZV7S2 43;13ZV70E1,extZV7S2 43;13ZV70E1,ZV7S2 33;13ZV70E1,extZV7S2 33;13ZV70E1,ZV7S2 G9;13ZV70E1,extZV7S2 G9;13ZV70E1,ZV7S2 H9;13ZV70E1,extZV7S2 H9;13ZV70E1,ZV7S2 G8;13ZV70E1,extZV7S2 G8;13ZV70E1,ZV7S2 H8;13ZV70E1,extZV7S2 H8;13ZV70E1,ZV7S2 13;13ZV70E1,extZV7S2 13;13ZV70E1,ZV7S2 12;13ZV70E1,extZV7S2 12;13ZV70E1)

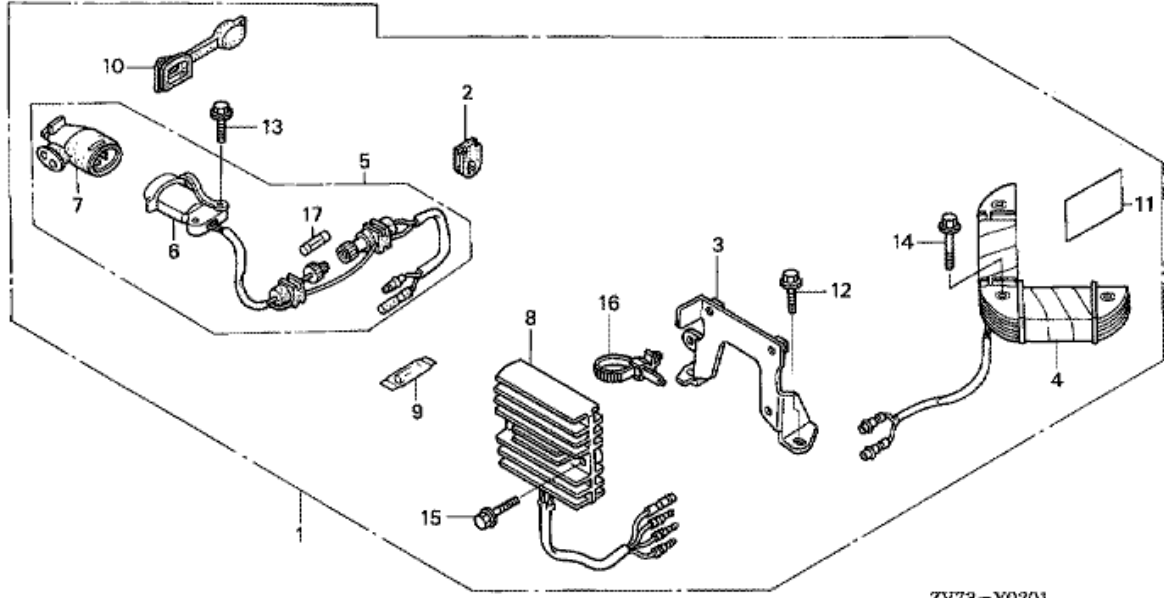
FOP-2 CHARGE RECEPTACLE KIT (6A)



| Refnr | Parça Numarası | Acıklama | İlk numara | Son numara | Birim Adedi | Tipler |
|-------|----------------|-----------------------------|------------|------------|-------------|----------|
| 1 | 06310ZV7020 | RECEPTACLE KIT, CHARGE (6A) | | | (1) | SHD, LHD |
| 2 | 30564ZA5000 | GROMMET, CORD | | | (1) | SHD, LHD |
| 3 | 31604ZV7010 | BRACKET, REGULATOR | | | (1) | SHD, LHD |
| 4 | 31630ZV7003 | COIL ASSY., CHARGE (12V-6A) | | | (1) | SHD, LHD |
| 5 | 31650ZV7013 | RECEPTACLE ASSY., CHARGE | | | (1) | SHD, LHD |
| 6 | 31651ZV7003 | CONSENT | | | (1) | SHD, LHD |
| 7 | 31652881024 | PLUG, CONSENT | | | (1) | SHD, LHD |
| 8 | 31750ZV7003 | RECTIFIER ASSY., REGULATOR | | | (1) | SHD, LHD |
| 9 | 38207ZV4000 | FUSE, SPARE (15A) | | | (1) | SHD, LHD |
| 10 | 40107ZV7000 | GROMMET, UNDER CASE (C) | | | (1) | SHD, LHD |
| 11 | 87512ZV4A21 | MARK, RECEPTACLE (6A) | | | (1) | SHD, LHD |
| 12 | 90013ZV0010 | BOLT, FLANGE, 6X12 | | | (2) | SHD, LHD |
| 13 | 90014ZV1010 | BOLT, FLANGE, 5X22 | | | (2) | SHD, LHD |
| 14 | 90014ZV7010 | BOLT, FLANGE, 6X35 | | | (2) | SHD, LHD |
| 15 | 90018ZW5000 | BOLT, FLANGE, 6X20 | | | (2) | SHD, LHD |
| 16 | 90672SA0003 | STRAP, CABLE, 118MM (BLACK) | | | (1) | SHD, LHD |
| 17 | 9820011500 | FUSE (15A) | | | (1) | SHD, LHD |

BF25D4 (ZV7S2 43;13ZV70E1,extZV7S2 43;13ZV70E1,ZV7S2 33;13ZV70E1,extZV7S2 33;13ZV70E1,ZV7S2 G9;13ZV70E1,extZV7S2 G9;13ZV70E1,ZV7S2 H9;13ZV70E1,extZV7S2 H9;13ZV70E1,ZV7S2 G8;13ZV70E1,extZV7S2 G8;13ZV70E1,ZV7S2 H8;13ZV70E1,extZV7S2 H8;13ZV70E1,ZV7S2 13;13ZV70E1,extZV7S2 13;13ZV70E1,ZV7S2 12;13ZV70E1,extZV7S2 12;13ZV70E1)

FOP-2-1 CHARGE RECEPTACLE KIT (10A)

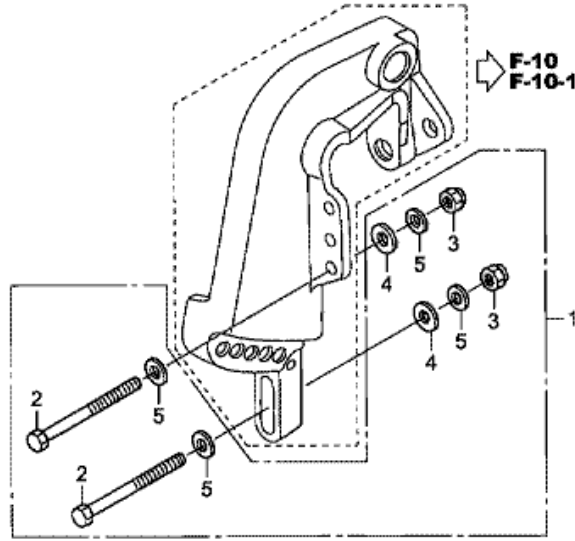


ZV73-Y0201

| Refnr | Parça Numarası | Açıklama | İlk numara | Son numara | Birim Adedi | Tipler |
|-------|----------------|------------------------------|------------|------------|-------------|----------|
| 1 | 06320ZV7020 | RECEPTACLE KIT, CHARGE (10A) | | | (1) | SHD, LHD |
| 2 | 30564ZA5000 | GROMMET, CORD | | | (1) | SHD, LHD |
| 3 | 31604ZV7010 | BRACKET, REGULATOR | | | (1) | SHD, LHD |
| 4 | 31630ZV7911 | COIL ASSY., CHARGE (12V-10A) | | | (1) | SHD, LHD |
| 5 | 31650ZV7013 | RECEPTACLE ASSY., CHARGE | | | (1) | SHD, LHD |
| 6 | 31651ZV7003 | CONSENT | | | (1) | SHD, LHD |
| 7 | 31652881024 | PLUG, CONSENT | | | (1) | SHD, LHD |
| 8 | 31750ZV7003 | RECTIFIER ASSY., REGULATOR | | | (1) | SHD, LHD |
| 9 | 38207ZV4000 | FUSE, SPARE (15A) | | | (1) | SHD, LHD |
| 10 | 40107ZV7000 | GROMMET, UNDER CASE (C) | | | (1) | SHD, LHD |
| 11 | 87512ZV4831 | MARK, RECEPTACLE (10A) | | | (1) | SHD, LHD |
| 12 | 90013ZV0010 | BOLT, FLANGE, 6X12 | | | (2) | SHD, LHD |
| 13 | 90014ZV1010 | BOLT, FLANGE, 5X22 | | | (2) | SHD, LHD |
| 14 | 90014ZV7010 | BOLT, FLANGE, 6X35 | | | (3) | SHD, LHD |
| 15 | 90018ZW5000 | BOLT, FLANGE, 6X20 | | | (2) | SHD, LHD |
| 16 | 90672SA0003 | STRAP, CABLE, 118MM (BLACK) | | | (1) | SHD, LHD |
| 17 | 9820011500 | FUSE (15A) | | | (1) | SHD, LHD |

BF25D4 (ZV7S2 43;13ZV70E1,extZV7S2 43;13ZV70E1,ZV7S2 33;13ZV70E1,extZV7S2 33;13ZV70E1,ZV7S2 G9;13ZV70E1,extZV7S2 G9;13ZV70E1,ZV7S2 H9;13ZV70E1,extZV7S2 H9;13ZV70E1,ZV7S2 G8;13ZV70E1,extZV7S2 G8;13ZV70E1,ZV7S2 H8;13ZV70E1,extZV7S2 H8;13ZV70E1,ZV7S2 13;13ZV70E1,extZV7S2 13;13ZV70E1,ZV7S2 12;13ZV70E1,extZV7S2 12;13ZV70E1)

FOP-3 OUTBOARD INSTALLATION KIT

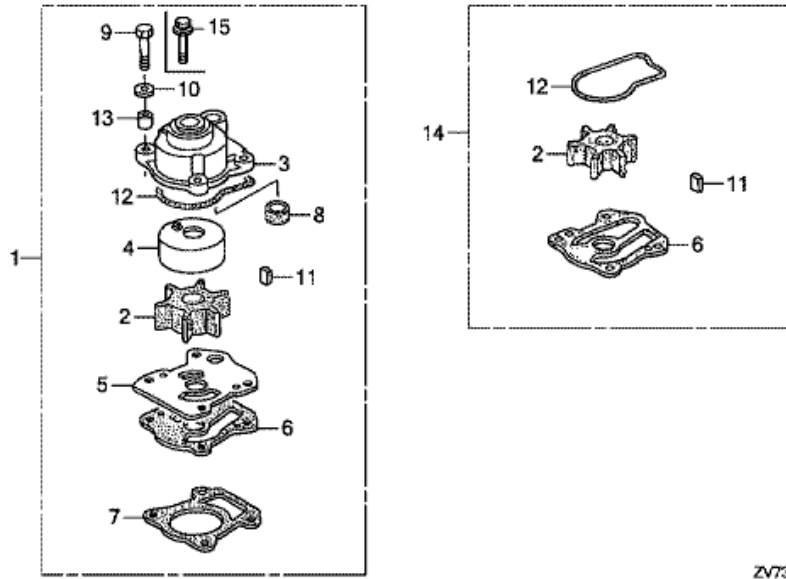


ZV73Y0300A

| Refnr | Parça Numarası | Acıklama | İlk numara | Son numara | Birim Adedi | Tipler |
|-------|----------------|----------------------------|------------|------------|-------------|--|
| 1 | 06413ZV7000 | INSTALLATION KIT, OUTBOARD | | | (1) | SHD, LHD, LHGD, SRTU, LRTU, SHGU, LHGU |
| 2 | 90129ZV7000 | BOLT, HEX., 10X100 | | | (4) | SHD, LHD, LHGD, SRTU, LRTU, SHGU, LHGU |
| 3 | 90306ZV5003 | NUT, SELF-LOCK, 10MM | | | (4) | SHD, LHD, LHGD, SRTU, LRTU, SHGU, LHGU |
| 4 | 90552ZV7000 | WASHER, PLAIN, 10MM | | | (4) | SHD, LHD, LHGD, SRTU, LRTU, SHGU, LHGU |
| 5 | 90563ZV5000 | WASHER, PLAIN, 10MM | | | (8) | SHD, LHD, LHGD, SRTU, LRTU, SHGU, LHGU |

BF25D4 (ZV7S2 43;13ZV70E1,extZV7S2 43;13ZV70E1,ZV7S2 33;13ZV70E1,extZV7S2 33;13ZV70E1,ZV7S2 G9;13ZV70E1,extZV7S2 G9;13ZV70E1,ZV7S2 H9;13ZV70E1,extZV7S2 H9;13ZV70E1,ZV7S2 G8;13ZV70E1,extZV7S2 G8;13ZV70E1,ZV7S2 H8;13ZV70E1,extZV7S2 H8;13ZV70E1,ZV7S2 13;13ZV70E1,extZV7S2 13;13ZV70E1,ZV7S2 12;13ZV70E1,extZV7S2 12;13ZV70E1)

FOP-4 WATER PUMP IMPELLER KIT



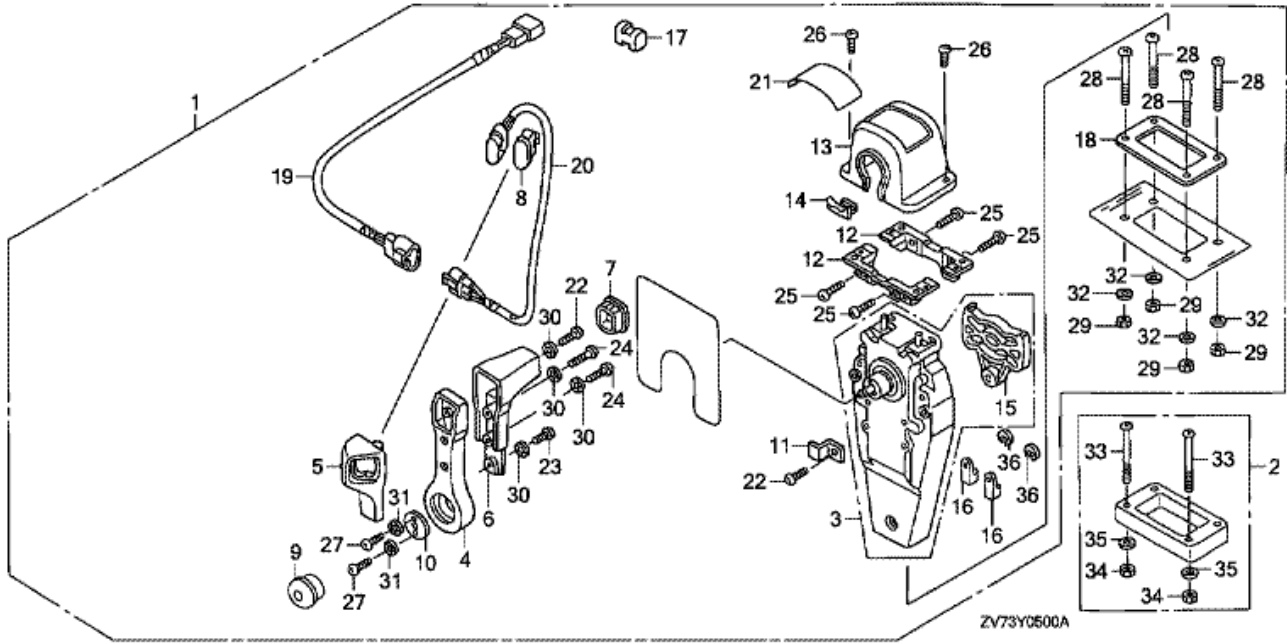
ZV73Y0400A

| Refnr | Parça Numarası | Acıklama | İlk numara | Son numara | Birim Adedi | Tipler |
|-------|----------------|-----------------------|------------|------------|-------------|--|
| 1 | 06193ZV7010 | PUMP KIT, IMPELLER | | 1008435 | (1) | SHD, LHD, LRTD, LHGD, SRTU, LRTU, SHGU, LHGU |
| 1 | 06193ZV7020 | PUMP KIT, IMPELLER | 1003706 | | (1) | LRTD, LHGD, SRTU, LRTU, SHGU, LHGU |
| 2 | 19210ZV7003 | IMPELLER, PUMP | | | (1) | SHD, LHD, LRTD, LHGD, SRTU, LRTU, SHGU, LHGU |
| 3 | 19221ZV5000 | HOUSING, IMPELLER | | | (1) | SHD, LHD, LRTD, LHGD, SRTU, LRTU, SHGU, LHGU |
| 4 | 19223ZV5000 | LINER, PUMP | | | (1) | SHD, LHD, LRTD, LHGD, SRTU, LRTU, SHGU, LHGU |
| 5 | 19231ZV7000 | COVER, IMPELLER | | | (1) | SHD, LHD, LRTD, LHGD, SRTU, LRTU, SHGU, LHGU |
| 6 | 19233ZV5000 | GASKET B, IMPELLER | | | (1) | SHD, LHD, LRTD, LHGD, SRTU, LRTU, SHGU, LHGU |
| 7 | 19242ZV5000 | GASKET, WATER PUMP | | | (1) | SHD, LHD, LRTD, LHGD, SRTU, LRTU, SHGU, LHGU |
| 8 | 19253ZV5000 | RING, WATER TUBE SEAL | | | (1) | SHD, LHD, LRTD, LHGD, SRTU, LRTU, SHGU, LHGU |
| 9 | 90114881000 | BOLT, HEX., 6X40 | | 1008435 | (4) | SHD, LHD, LRTD, LHGD, SRTU, LRTU, SHGU, LHGU |
| 10 | 90512921010 | WASHER, 6MM | | 1003705 | (4) | SHD, LHD, LRTD, LHGD, |

| | | | | | | |
|----|-------------|--------------------------|---------|--|-----|---|
| | | | | | | SRTU, LRTU, SHGU, LHGU |
| 11 | 90752ZV7000 | KEY, WOODRUFF, 5MM | | | (1) | SHD, LHD, LRTD, LHGD, SRTU, LRTU, SHGU, LHGU |
| 12 | 91356ZV5000 | O-RING, WATER PUMP | | | (1) | SHD, LHD, LRTD, LHGD, SRTU, LRTU, SHGU, LHGU |
| 13 | 91555ZV5000 | COLLAR, IMPELLER HOUSING | | | (4) | SHD, LHD, LRTD, LHGD, SRTU, LRTU, SHGU, LHGU |
| 14 | 06192ZV7000 | PUMP KIT, IMPELLER | | | (1) | SHD, LHD, LRTD, LHGD, SRTU, LRTU, SHGU, LHGU |
| 15 | 90103ZY1000 | BOLT-WASHER, 6X40 | 1003706 | | (4) | LRTD, LHGD, SRTU, LRTU, SHGU, LHGU |

BF25D4 (ZV7S2 43;13ZV70E1,extZV7S2 43;13ZV70E1,ZV7S2 33;13ZV70E1,extZV7S2 33;13ZV70E1,ZV7S2 G9;13ZV70E1,extZV7S2 G9;13ZV70E1,ZV7S2 H9;13ZV70E1,extZV7S2 H9;13ZV70E1,ZV7S2 G8;13ZV70E1,extZV7S2 G8;13ZV70E1,ZV7S2 H8;13ZV70E1,extZV7S2 H8;13ZV70E1,ZV7S2 13;13ZV70E1,extZV7S2 13;13ZV70E1,ZV7S2 12;13ZV70E1,extZV7S2 12;13ZV70E1)

FOP-5 REMOTE CONTROL (TOP MOUNT SINGLE TYPE) (RIGHT)

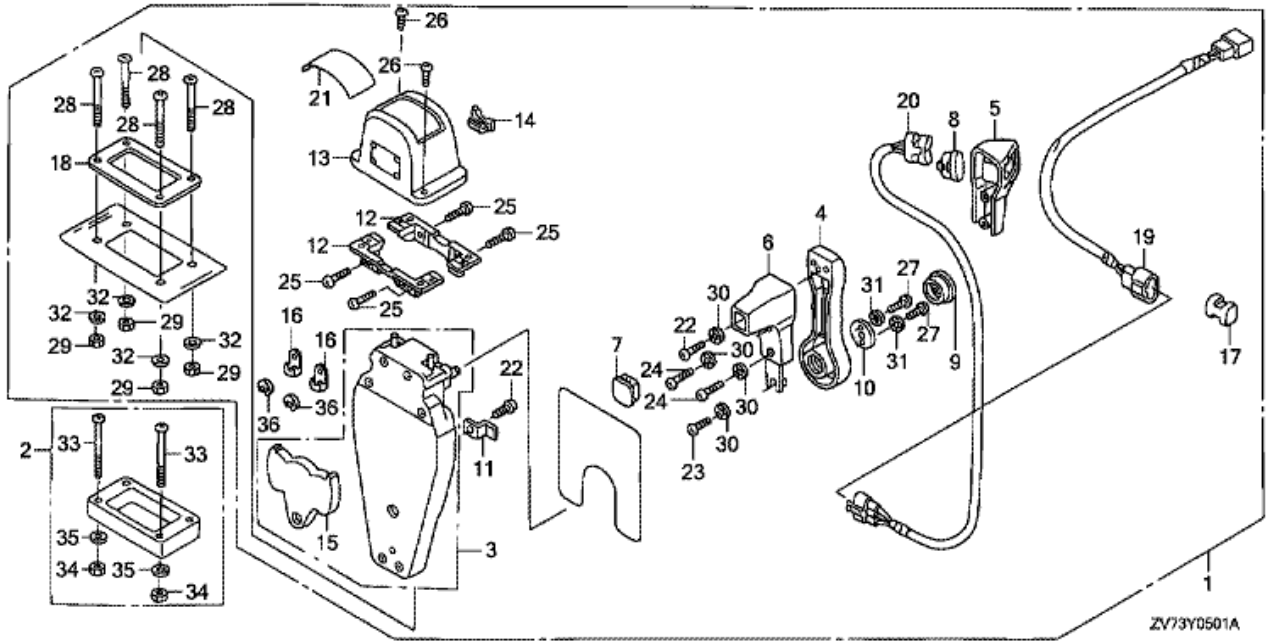


| Refnr | Parça Numarası | Açıklama | İlk numara | Son numara | Birim Adedi | Tipler |
|-------|----------------|---|------------|------------|-------------|------------------|
| 1 | 06240ZW5U40 | BOX KIT, REMOTE CONTROL (TOP MOUNT SINGLE) (R.) | | | (1) | LRTD, SRTU, LRTU |
| 2 | 06241ZW5U00 | SPACER KIT, REMOTE CONTROL BOX (TOP MOUNT SINGLE) | | | (1) | LRTD, SRTU, LRTU |
| 3 | 24810ZW5U01 | HOUSING ASSY., L. INNER (TOP MOUNT) | | | (1) | LRTD, SRTU, LRTU |
| 4 | 24811ZW5U01 | HANDLE, REMOTE CONTROL | | | (1) | LRTD, SRTU, LRTU |
| 5 | 24812ZW5U01 | COVER, L. GRIP | | | (1) | LRTD, SRTU, LRTU |
| 6 | 24813ZW5U01 | GRIP, REMOTE CONTROL HANDLE | | | (1) | LRTD, SRTU, LRTU |
| 7 | 24814ZW5U01 | CAP, GRIP | | | (1) | LRTD, SRTU, LRTU |
| 8 | 24815ZW5U01 | CAP, SWITCH | | | (1) | LRTD, SRTU, LRTU |
| 9 | 24816ZW5U01 | BUTTON, THROTTLE | | | (1) | LRTD, SRTU, LRTU |
| 10 | 24817ZW5U01 | PLATE, HANDLE | | | (1) | LRTD, SRTU, LRTU |
| 11 | 24818ZW5U01 | PLATE, CABLE CLAMP | | | (1) | LRTD, SRTU, LRTU |
| 12 | 24819ZW5U01 | BRACKET, REMOTE CONTROL HOUSING | | | (2) | LRTD, SRTU, LRTU |
| 13 | 24820ZW5U01 | HOUSING COMP., REMOTE CONTROL BOX | | | (1) | LRTD, SRTU, LRTU |
| 14 | 24825ZW5U01 | HOUSING, LEAD | | | (1) | LRTD, SRTU, LRTU |
| 15 | 24826ZW5U01 | PLATE, DWELL | | | (1) | LRTD, SRTU, LRTU |
| 16 | 24831ZW5U01 | TERMINAL, CABLE | | | (2) | LRTD, SRTU, LRTU |
| 17 | 24832ZW5U01 | SPACER, CABLE CLAMP | | | (1) | LRTD, SRTU, LRTU |
| 18 | 24834ZW5U01 | PACKING, SINGLE | | | (1) | LRTD, SRTU, LRTU |
| 19 | 32530ZW7U00 | SUB HARNESS ASSY., POWER TRIM-TILT (A) | | | (1) | LRTD, SRTU, LRTU |
| 20 | 35370ZW5U02 | SWITCH ASSY., POWER TRIM-TILT (A) | | | (1) | LRTD, SRTU, LRTU |

| | | | | | | |
|----|--------------|-------------------------------|---------|---------|-----|---------------------|
| | | | | | | LRTU |
| 21 | 87703ZW5U01 | MARK, REMOTE CONTROL (SINGLE) | | 1002158 | (1) | LRTD |
| 21 | 87703ZW5U02 | MARK, REMOTE CONTROL (SINGLE) | 1001862 | | (1) | LRTD, SRTU, LRTU |
| 22 | 90101ZW5U00 | SCREW, PAN, 5X16 | | | (2) | LRTD, SRTU, LRTU |
| 23 | 90102ZW5U00 | SCREW, PAN, 5X10 | | | (1) | LRTD, SRTU, LRTU |
| 24 | 90103ZW5U01 | SCREW, PAN, 5X20 | | | (2) | LRTD, SRTU, LRTU |
| 25 | 90104ZW5U00 | SCREW, PAN, 5X18 | | | (4) | LRTD, SRTU, LRTU |
| 26 | 90105ZW5U01 | SCREW, PAN, 4X10 | | | (2) | LRTD, SRTU, LRTU |
| 27 | 90106ZW5U00 | SCREW, PAN, 6X18 | | | (2) | LRTD, SRTU, LRTU |
| 28 | 90107ZW5U00 | SCREW, PAN, 5X40 | | | (4) | LRTD, SRTU, LRTU |
| 29 | 90301ZW5U00 | NUT, HEX., 5MM | | | (4) | LRTD, SRTU, LRTU |
| 30 | 90501ZW5U00 | WASHER, LOCK, 5MM | | | (4) | LRTD, SRTU, LRTU |
| 31 | 90502ZW5U00 | WASHER, LOCK, 6MM | | | (2) | LRTD, SRTU, LRTU |
| 32 | 90503ZW5U00 | WASHER, PLAIN, 5MM | | | (4) | LRTD, SRTU, LRTU |
| 33 | 93500050654J | SCREW, PAN, 5X65 | | | (4) | LRTD, SRTU, LRTU |
| 34 | 94001054900S | NUT, HEX., 5MM | | | (4) | LRTD, SRTU, LRTU |
| 35 | 90502ZV4000 | WASHER, PLAIN, 5MM | | | (4) | LRTD, SRTU, LRTU |
| 36 | 9454006029 | E-RING, 6MM | | | (2) | LRTD, SRTU, LRTU |

BF25D4 (ZV7S2 43;13ZV70E1,extZV7S2 43;13ZV70E1,ZV7S2 33;13ZV70E1,extZV7S2 33;13ZV70E1,ZV7S2 G9;13ZV70E1,extZV7S2 G9;13ZV70E1,ZV7S2 H9;13ZV70E1,extZV7S2 H9;13ZV70E1,ZV7S2 G8;13ZV70E1,extZV7S2 G8;13ZV70E1,ZV7S2 H8;13ZV70E1,extZV7S2 H8;13ZV70E1,ZV7S2 13;13ZV70E1,extZV7S2 13;13ZV70E1,ZV7S2 12;13ZV70E1,extZV7S2 12;13ZV70E1)

FOP-5-1 REMOTE CONTROL (TOP MOUNT SINGLE TYPE) (LEFT)

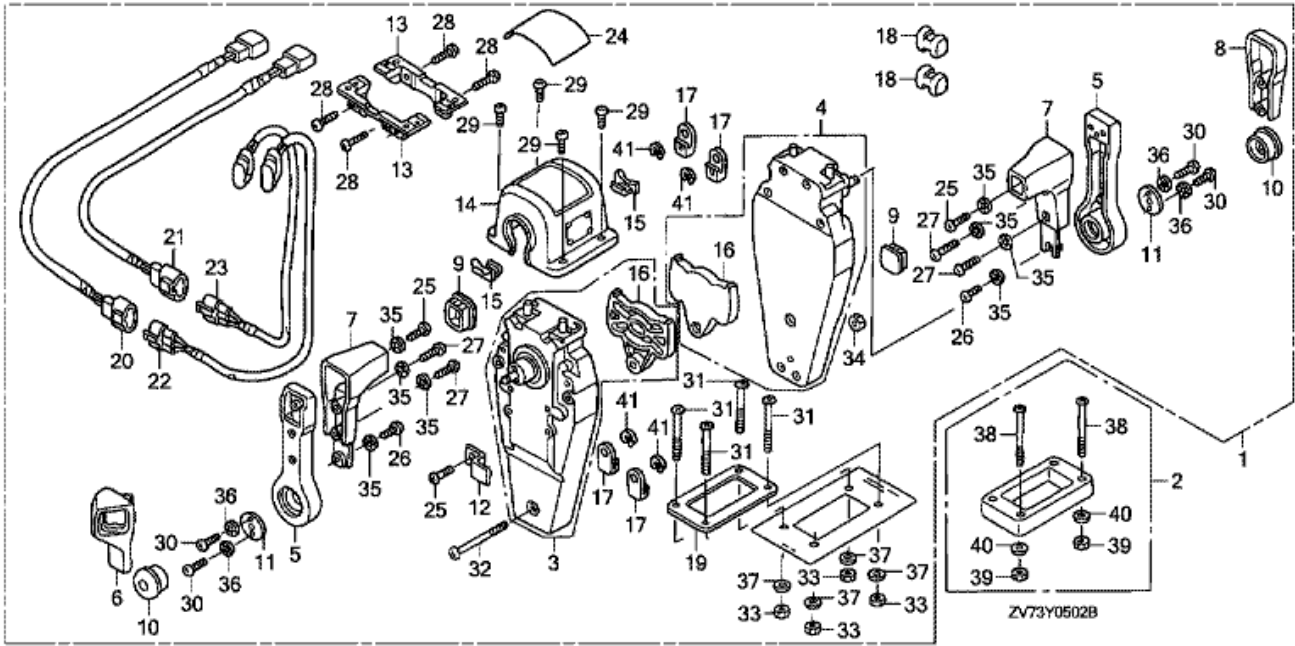


| Refnr | Parça Numarası | Açıklama | İlk numara | Son numara | Birim Adedi | Tipler |
|-------|----------------|---|------------|------------|-------------|------------------|
| 1 | 06240ZW5U50 | BOX KIT, REMOTE CONTROL (TOP MOUNT SINGLE) (L.) | | | (1) | LRTD, SRTU, LRTU |
| 2 | 06241ZW5U00 | SPACER KIT, REMOTE CONTROL BOX (TOP MOUNT SINGLE) | | | (1) | LRTD, SRTU, LRTU |
| 3 | 24810ZW5U11 | HOUSING ASSY., R. INNER (TOP MOUNT) | | | (1) | LRTD, SRTU, LRTU |
| 4 | 24811ZW5U01 | HANDLE, REMOTE CONTROL | | | (1) | LRTD, SRTU, LRTU |
| 5 | 24812ZW5U11 | COVER, R. GRIP | | | (1) | LRTD, SRTU, LRTU |
| 6 | 24813ZW5U01 | GRIP, REMOTE CONTROL HANDLE | | | (1) | LRTD, SRTU, LRTU |
| 7 | 24814ZW5U01 | CAP, GRIP | | | (1) | LRTD, SRTU, LRTU |
| 8 | 24815ZW5U01 | CAP, SWITCH | | | (1) | LRTD, SRTU, LRTU |
| 9 | 24816ZW5U01 | BUTTON, THROTTLE | | | (1) | LRTD, SRTU, LRTU |
| 10 | 24817ZW5U01 | PLATE, HANDLE | | | (1) | LRTD, SRTU, LRTU |
| 11 | 24818ZW5U01 | PLATE, CABLE CLAMP | | | (1) | LRTD, SRTU, LRTU |
| 12 | 24819ZW5U01 | BRACKET, REMOTE CONTROL HOUSING | | | (2) | LRTD, SRTU, LRTU |
| 13 | 24820ZW5U01 | HOUSING COMP., REMOTE CONTROL BOX | | | (1) | LRTD, SRTU, LRTU |
| 14 | 24825ZW5U01 | HOUSING, LEAD | | | (1) | LRTD, SRTU, LRTU |
| 15 | 24826ZW5U01 | PLATE, DWELL | | | (1) | LRTD, SRTU, LRTU |
| 16 | 24831ZW5U01 | TERMINAL, CABLE | | | (2) | LRTD, SRTU, LRTU |
| 17 | 24832ZW5U01 | SPACER, CABLE CLAMP | | | (1) | LRTD, SRTU, LRTU |
| 18 | 24834ZW5U01 | PACKING, SINGLE | | | (1) | LRTD, SRTU, LRTU |
| 19 | 32530ZW7U10 | SUB HARNESS ASSY., POWER TRIM-TILT (B) | | | (1) | LRTD, SRTU, LRTU |
| 20 | 35370ZW5U12 | SWITCH ASSY., POWER TRIM-TILT (B) | | | (1) | LRTD, SRTU, LRTU |

| | | | | | | |
|----|--------------|-------------------------------|---------|---------|-----|---------------------|
| | | | | | | LRTU |
| 21 | 87703ZW5U01 | MARK, REMOTE CONTROL (SINGLE) | | 1002158 | (1) | LRTD |
| 21 | 87703ZW5U02 | MARK, REMOTE CONTROL (SINGLE) | 1002159 | | (1) | LRTD, SRTU, LRTU |
| 22 | 90101ZW5U00 | SCREW, PAN, 5X16 | | | (2) | LRTD, SRTU, LRTU |
| 23 | 90102ZW5U00 | SCREW, PAN, 5X10 | | | (1) | LRTD, SRTU, LRTU |
| 24 | 90103ZW5U01 | SCREW, PAN, 5X20 | | | (2) | LRTD, SRTU, LRTU |
| 25 | 90104ZW5U00 | SCREW, PAN, 5X18 | | | (4) | LRTD, SRTU, LRTU |
| 26 | 90105ZW5U01 | SCREW, PAN, 4X10 | | | (2) | LRTD, SRTU, LRTU |
| 27 | 90106ZW5U00 | SCREW, PAN, 6X18 | | | (2) | LRTD, SRTU, LRTU |
| 28 | 90107ZW5U00 | SCREW, PAN, 5X40 | | | (4) | LRTD, SRTU, LRTU |
| 29 | 90301ZW5U00 | NUT, HEX., 5MM | | | (4) | LRTD, SRTU, LRTU |
| 30 | 90501ZW5U00 | WASHER, LOCK, 5MM | | | (4) | LRTD, SRTU, LRTU |
| 31 | 90502ZW5U00 | WASHER, LOCK, 6MM | | | (2) | LRTD, SRTU, LRTU |
| 32 | 90503ZW5U00 | WASHER, PLAIN, 5MM | | | (4) | LRTD, SRTU, LRTU |
| 33 | 93500050654J | SCREW, PAN, 5X65 | | | (4) | LRTD, SRTU, LRTU |
| 34 | 94001054900S | NUT, HEX., 5MM | | | (4) | LRTD, SRTU, LRTU |
| 35 | 90502ZV4000 | WASHER, PLAIN, 5MM | | | (4) | LRTD, SRTU, LRTU |
| 36 | 9454006029 | E-RING, 6MM | | | (2) | LRTD, SRTU, LRTU |

BF25D4 (ZV7S2 43;13ZV70E1,extZV7S2 43;13ZV70E1,ZV7S2 33;13ZV70E1,extZV7S2 33;13ZV70E1,ZV7S2 G9;13ZV70E1,extZV7S2 G9;13ZV70E1,ZV7S2 H9;13ZV70E1,extZV7S2 H9;13ZV70E1,ZV7S2 G8;13ZV70E1,extZV7S2 G8;13ZV70E1,ZV7S2 H8;13ZV70E1,extZV7S2 H8;13ZV70E1,ZV7S2 13;13ZV70E1,extZV7S2 13;13ZV70E1,ZV7S2 12;13ZV70E1,extZV7S2 12;13ZV70E1)

FOP-5-2 REMOTE CONTROL (TOP MOUNT DUAL TYPE) (RIGHT)

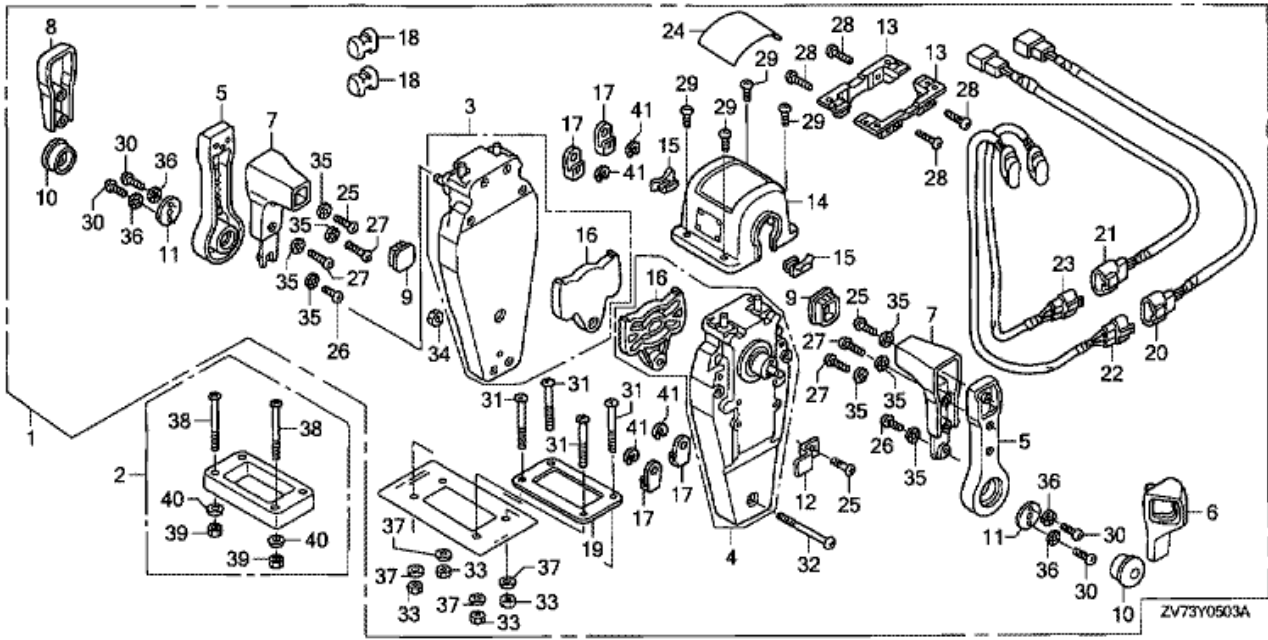


| Refnr | Parça Numarası | Açıklama | İlk numara | Son numara | Birim Adedi | Tipler |
|-------|----------------|---|------------|------------|-------------|------------------|
| 1 | 06240ZW5U60 | BOX KIT, REMOTE CONTROL (TOP MOUNT DUAL) (R.) | | | (1) | LRTD, SRTU, LRTU |
| 2 | 06241ZW5U10 | SPACER KIT, REMOTE CONTROL BOX (TOP MOUNT DUAL) | | | (1) | LRTD, SRTU, LRTU |
| 3 | 24810ZW5U01 | HOUSING ASSY., L. INNER (TOP MOUNT) | | | (1) | LRTD, SRTU, LRTU |
| 4 | 24810ZW5U11 | HOUSING ASSY., R. INNER (TOP MOUNT) | | | (1) | LRTD, SRTU, LRTU |
| 5 | 24811ZW5U01 | HANDLE, REMOTE CONTROL | | | (2) | LRTD, SRTU, LRTU |
| 6 | 24812ZW5U01 | COVER, L. GRIP | | | (1) | LRTD, SRTU, LRTU |
| 7 | 24813ZW5U01 | GRIP, REMOTE CONTROL HANDLE | | | (2) | LRTD, SRTU, LRTU |
| 8 | 24813ZW5U21 | COVER, DUAL GRIP | | | (1) | LRTD, SRTU, LRTU |
| 9 | 24814ZW5U01 | CAP, GRIP | | | (2) | LRTD, SRTU, LRTU |
| 10 | 24816ZW5U01 | BUTTON, THROTTLE | | | (2) | LRTD, SRTU, LRTU |
| 11 | 24817ZW5U01 | PLATE, HANDLE | | | (2) | LRTD, SRTU, LRTU |
| 12 | 24818ZW5U01 | PLATE, CABLE CLAMP | | | (1) | LRTD, SRTU, LRTU |
| 13 | 24819ZW5U01 | BRACKET, REMOTE CONTROL HOUSING | | | (2) | LRTD, SRTU, LRTU |
| 14 | 24820ZW5U21 | HOUSING COMP., DUAL REMOTE CONTROL BOX | | | (1) | LRTD, SRTU, LRTU |
| 15 | 24825ZW5U01 | HOUSING, LEAD | | | (2) | LRTD, SRTU, LRTU |
| 16 | 24826ZW5U01 | PLATE, DWELL | | | (2) | LRTD, SRTU, LRTU |
| 17 | 24831ZW5U01 | TERMINAL, CABLE | | | (4) | LRTD, SRTU, LRTU |
| 18 | 24832ZW5U01 | SPACER, CABLE CLAMP | | | (2) | LRTD, SRTU, LRTU |
| 19 | 24834ZW5U21 | PACKING, DUAL | | | (1) | LRTD, SRTU, LRTU |
| 20 | 32530ZW7U00 | SUB HARNESS ASSY., POWER TRIM-TILT (A) | | | (1) | LRTD, SRTU, |

| | | | | | | |
|----|--------------|--|---------|---------|-----|---------------------|
| | | | | | | LRTU |
| 21 | 32530ZW7U10 | SUB HARNESS ASSY., POWER TRIM-TILT (B) | | | (1) | LRTD, SRTU, LRTU |
| 22 | 35370ZW5U02 | SWITCH ASSY., POWER TRIM-TILT (A) | | | (1) | LRTD, SRTU, LRTU |
| 23 | 35370ZW5U12 | SWITCH ASSY., POWER TRIM-TILT (B) | | | (1) | LRTD, SRTU, LRTU |
| 24 | 87703ZW5U21 | MARK, REMOTE CONTROL (DUAL) | | 1001861 | (1) | LRTD |
| 24 | 87703ZW5U22 | MARK, REMOTE CONTROL (DUAL) | 1001862 | | (1) | LRTD, SRTU, LRTU |
| 25 | 90101ZW5U00 | SCREW, PAN, 5X16 | | | (3) | LRTD, SRTU, LRTU |
| 26 | 90102ZW5U00 | SCREW, PAN, 5X10 | | | (2) | LRTD, SRTU, LRTU |
| 27 | 90103ZW5U01 | SCREW, PAN, 5X20 | | | (4) | LRTD, SRTU, LRTU |
| 28 | 90104ZW5U00 | SCREW, PAN, 5X18 | | | (4) | LRTD, SRTU, LRTU |
| 29 | 90105ZW5U01 | SCREW, PAN, 4X10 | | | (4) | LRTD, SRTU, LRTU |
| 30 | 90106ZW5U00 | SCREW, PAN, 6X18 | | | (4) | LRTD, SRTU, LRTU |
| 31 | 90107ZW5U00 | SCREW, PAN, 5X40 | | | (4) | LRTD, SRTU, LRTU |
| 32 | 90108ZW5U00 | SCREW, PAN, 5X55 | | | (1) | LRTD, SRTU, LRTU |
| 33 | 90301ZW5U00 | NUT, HEX., 5MM | | | (4) | LRTD, SRTU, LRTU |
| 34 | 90302ZW5U21 | NUT, HEX., 5MM | | | (1) | LRTD, SRTU, LRTU |
| 35 | 90501ZW5U00 | WASHER, LOCK, 5MM | | | (8) | LRTD, SRTU, LRTU |
| 36 | 90502ZW5U00 | WASHER, LOCK, 6MM | | | (4) | LRTD, SRTU, LRTU |
| 37 | 90503ZW5U00 | WASHER, PLAIN, 5MM | | | (4) | LRTD, SRTU, LRTU |
| 38 | 93500050654J | SCREW, PAN, 5X65 | | | (4) | LRTD, SRTU, LRTU |
| 39 | 94001054900S | NUT, HEX., 5MM | | | (4) | LRTD, SRTU, LRTU |
| 40 | 90502ZV4000 | WASHER, PLAIN, 5MM | | | (4) | LRTD, SRTU, LRTU |
| 41 | 9454006029 | E-RING, 6MM | | | (4) | LRTD, SRTU, LRTU |

BF25D4 (ZV7S2 43;13ZV70E1,extZV7S2 43;13ZV70E1,ZV7S2 33;13ZV70E1,extZV7S2 33;13ZV70E1,ZV7S2 G9;13ZV70E1,extZV7S2 G9;13ZV70E1,ZV7S2 H9;13ZV70E1,extZV7S2 H9;13ZV70E1,ZV7S2 G8;13ZV70E1,extZV7S2 G8;13ZV70E1,ZV7S2 H8;13ZV70E1,extZV7S2 H8;13ZV70E1,ZV7S2 13;13ZV70E1,extZV7S2 13;13ZV70E1,ZV7S2 12;13ZV70E1,extZV7S2 12;13ZV70E1)

FOP-5-3 REMOTE CONTROL (TOP MOUNT DUAL TYPE) (LEFT)

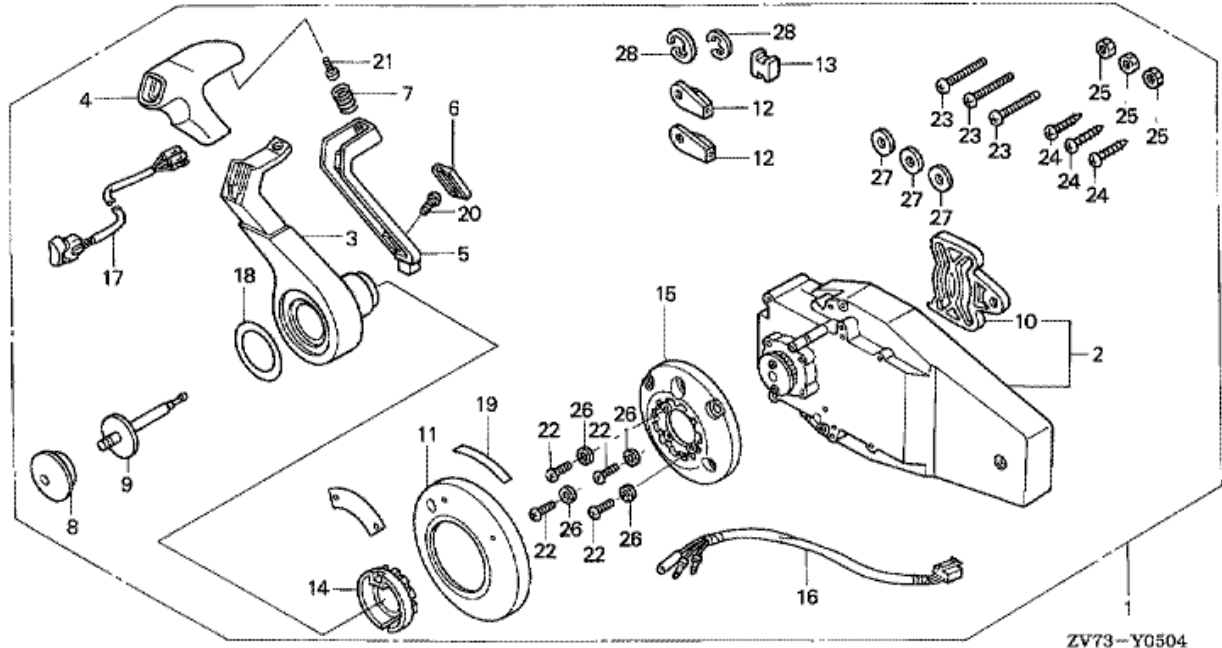


| Refnr | Parça Numarası | Açıklama | İlk numara | Son numara | Birim Adedi | Tipler |
|-------|----------------|---|------------|------------|-------------|------------------|
| 1 | 06240ZW5U70 | BOX KIT, REMOTE CONTROL (TOP MOUNT DUAL) (L.) | | | (1) | LRTD, SRTU, LRTU |
| 2 | 06241ZW5U10 | SPACER KIT, REMOTE CONTROL BOX (TOP MOUNT DUAL) | | | (1) | LRTD, SRTU, LRTU |
| 3 | 24810ZW5U01 | HOUSING ASSY., L. INNER (TOP MOUNT) | | | (1) | LRTD, SRTU, LRTU |
| 4 | 24810ZW5U11 | HOUSING ASSY., R. INNER (TOP MOUNT) | | | (1) | LRTD, SRTU, LRTU |
| 5 | 24811ZW5U01 | HANDLE, REMOTE CONTROL | | | (2) | LRTD, SRTU, LRTU |
| 6 | 24812ZW5U11 | COVER, R. GRIP | | | (1) | LRTD, SRTU, LRTU |
| 7 | 24813ZW5U01 | GRIP, REMOTE CONTROL HANDLE | | | (2) | LRTD, SRTU, LRTU |
| 8 | 24813ZW5U21 | COVER, DUAL GRIP | | | (1) | LRTD, SRTU, LRTU |
| 9 | 24814ZW5U01 | CAP, GRIP | | | (2) | LRTD, SRTU, LRTU |
| 10 | 24816ZW5U01 | BUTTON, THROTTLE | | | (2) | LRTD, SRTU, LRTU |
| 11 | 24817ZW5U01 | PLATE, HANDLE | | | (2) | LRTD, SRTU, LRTU |
| 12 | 24818ZW5U01 | PLATE, CABLE CLAMP | | | (1) | LRTD, SRTU, LRTU |
| 13 | 24819ZW5U01 | BRACKET, REMOTE CONTROL HOUSING | | | (2) | LRTD, SRTU, LRTU |
| 14 | 24820ZW5U21 | HOUSING COMP., DUAL REMOTE CONTROL BOX | | | (1) | LRTD, SRTU, LRTU |
| 15 | 24825ZW5U01 | HOUSING, LEAD | | | (2) | LRTD, SRTU, LRTU |
| 16 | 24826ZW5U01 | PLATE, DWELL | | | (2) | LRTD, SRTU, LRTU |
| 17 | 24831ZW5U01 | TERMINAL, CABLE | | | (4) | LRTD, SRTU, LRTU |
| 18 | 24832ZW5U01 | SPACER, CABLE CLAMP | | | (2) | LRTD, SRTU, LRTU |
| 19 | 24834ZW5U21 | PACKING, DUAL | | | (1) | LRTD, SRTU, LRTU |
| 20 | 32530ZW7U00 | SUB HARNESS ASSY., POWER TRIM-TILT (A) | | | (1) | LRTD, SRTU, |

| | | | | | | |
|----|--------------|--|---------|---------|-----|---------------------|
| | | | | | | LRTU |
| 21 | 32530ZW7U10 | SUB HARNESS ASSY., POWER TRIM-TILT (B) | | | (1) | LRTD, SRTU, LRTU |
| 22 | 35370ZW5U02 | SWITCH ASSY., POWER TRIM-TILT (A) | | | (1) | LRTD, SRTU, LRTU |
| 23 | 35370ZW5U12 | SWITCH ASSY., POWER TRIM-TILT (B) | | | (1) | LRTD, SRTU, LRTU |
| 24 | 87703ZW5U21 | MARK, REMOTE CONTROL (DUAL) | | 1001861 | (1) | LRTD |
| 24 | 87703ZW5U22 | MARK, REMOTE CONTROL (DUAL) | 1002159 | | (1) | LRTD, SRTU, LRTU |
| 25 | 90101ZW5U00 | SCREW, PAN, 5X16 | | | (3) | LRTD, SRTU, LRTU |
| 26 | 90102ZW5U00 | SCREW, PAN, 5X10 | | | (2) | LRTD, SRTU, LRTU |
| 27 | 90103ZW5U01 | SCREW, PAN, 5X20 | | | (4) | LRTD, SRTU, LRTU |
| 28 | 90104ZW5U00 | SCREW, PAN, 5X18 | | | (4) | LRTD, SRTU, LRTU |
| 29 | 90105ZW5U01 | SCREW, PAN, 4X10 | | | (4) | LRTD, SRTU, LRTU |
| 30 | 90106ZW5U00 | SCREW, PAN, 6X18 | | | (4) | LRTD, SRTU, LRTU |
| 31 | 90107ZW5U00 | SCREW, PAN, 5X40 | | | (4) | LRTD, SRTU, LRTU |
| 32 | 90108ZW5U00 | SCREW, PAN, 5X55 | | | (1) | LRTD, SRTU, LRTU |
| 33 | 90301ZW5U00 | NUT, HEX., 5MM | | | (4) | LRTD, SRTU, LRTU |
| 34 | 90302ZW5U21 | NUT, HEX., 5MM | | | (1) | LRTD, SRTU, LRTU |
| 35 | 90501ZW5U00 | WASHER, LOCK, 5MM | | | (8) | LRTD, SRTU, LRTU |
| 36 | 90502ZW5U00 | WASHER, LOCK, 6MM | | | (4) | LRTD, SRTU, LRTU |
| 37 | 90503ZW5U00 | WASHER, PLAIN, 5MM | | | (4) | LRTD, SRTU, LRTU |
| 38 | 93500050654J | SCREW, PAN, 5X65 | | | (4) | LRTD, SRTU, LRTU |
| 39 | 94001054900S | NUT, HEX., 5MM | | | (4) | LRTD, SRTU, LRTU |
| 40 | 90502ZV4000 | WASHER, PLAIN, 5MM | | | (4) | LRTD, SRTU, LRTU |
| 41 | 9454006029 | E-RING, 6MM | | | (4) | LRTD, SRTU, LRTU |

BF25D4 (ZV7S2 43;13ZV70E1,extZV7S2 43;13ZV70E1,ZV7S2 33;13ZV70E1,extZV7S2 33;13ZV70E1,ZV7S2 G9;13ZV70E1,extZV7S2 G9;13ZV70E1,ZV7S2 H9;13ZV70E1,extZV7S2 H9;13ZV70E1,ZV7S2 G8;13ZV70E1,extZV7S2 G8;13ZV70E1,ZV7S2 H8;13ZV70E1,extZV7S2 H8;13ZV70E1,ZV7S2 13;13ZV70E1,extZV7S2 13;13ZV70E1,ZV7S2 12;13ZV70E1,extZV7S2 12;13ZV70E1)

FOP-5-4 REMOTE CONTROL (FLUSH MOUNT TYPE) (RIGHT)

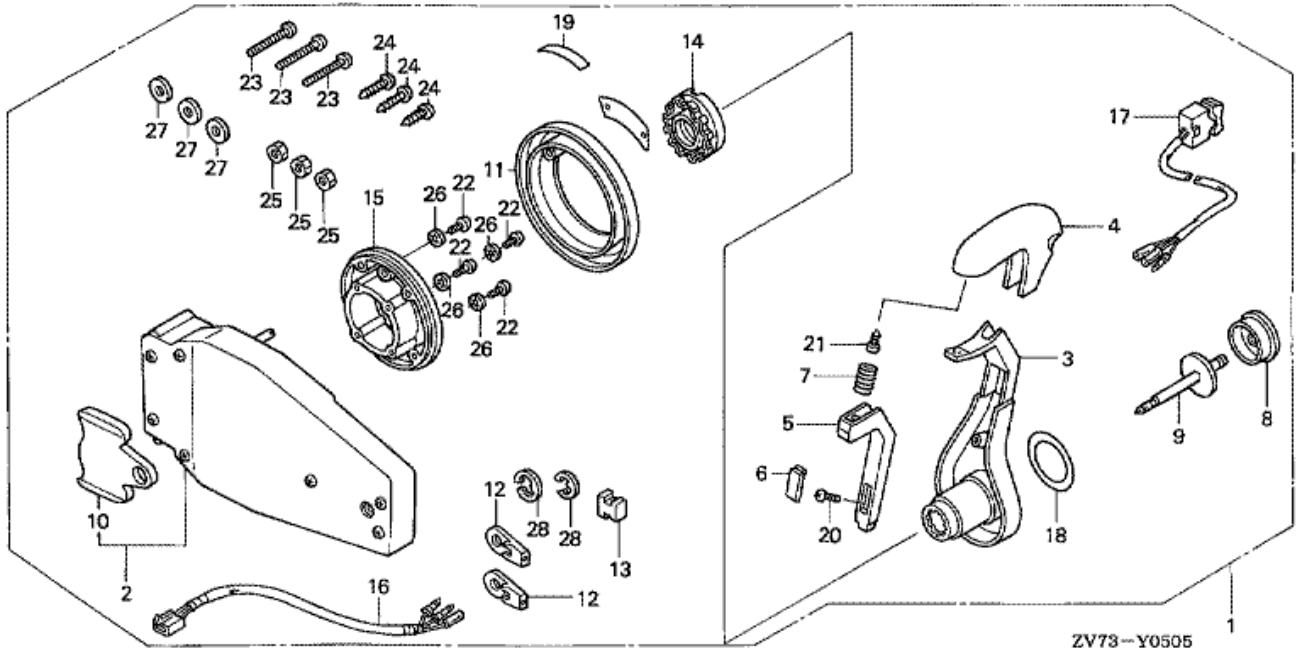


| Refnr | Parça Numarası | Açıklama | İlk numara | Son numara | Birim Adedi | Tipler |
|-------|----------------|--|------------|------------|-------------|------------------|
| 1 | 06240ZW7U00 | BOX KIT, REMOTE CONTROL (FLUSH MOUNT) (R.) | | | (1) | LRTD, SRTU, LRTU |
| 2 | 24810ZW7U01 | HOUSING ASSY., R. INNER (FLUSH MOUNT) | | | (1) | LRTD, SRTU, LRTU |
| 3 | 24811ZW7U01 | HANDLE, REMOTE CONTROL | | | (1) | LRTD, SRTU, LRTU |
| 4 | 24812ZW7U01 | COVER, GRIP | | | (1) | LRTD, SRTU, LRTU |
| 5 | 24813ZW7U01 | ARM, NEUTRAL LOCK | | | (1) | LRTD, SRTU, LRTU |
| 6 | 24814ZW7U01 | COVER, LOCK ARM | | | (1) | LRTD, SRTU, LRTU |
| 7 | 24815ZW7U01 | SPRING, NEUTRAL LOCK ARM | | | (1) | LRTD, SRTU, LRTU |
| 8 | 24816ZW5U01 | BUTTON, THROTTLE | | | (1) | LRTD, SRTU, LRTU |
| 9 | 24817ZW7U01 | SHAFT, THROTTLE BUTTON | | | (1) | LRTD, SRTU, LRTU |
| 10 | 24826ZW5U01 | PLATE, DWELL | | | (1) | LRTD, SRTU, LRTU |
| 11 | 24830ZW7U01 | COVER ASSY. | | | (1) | LRTD, SRTU, LRTU |
| 12 | 24831ZW5U01 | TERMINAL, CABLE | | | (2) | LRTD, SRTU, LRTU |
| 13 | 24832ZW5U01 | SPACER, CABLE CLAMP | | | (1) | LRTD, SRTU, LRTU |
| 14 | 24832ZW7U01 | HOLDER, NEUTRAL LOCK | | | (1) | LRTD, SRTU, LRTU |
| 15 | 24833ZW7U01 | BASE | | | (1) | LRTD, SRTU, LRTU |
| 16 | 32530ZW7U20 | SUB HARNESS ASSY., POWER TRIM-TILT (C) | | | (1) | LRTD, SRTU, LRTU |
| 17 | 35370ZW7U02 | SWITCH ASSY., POWER TRIM-TILT (C) | | | (1) | LRTD, SRTU, LRTU |
| 18 | 87701ZW7U01 | MARK, HANDLE FLUSH MOUNT | | | (1) | LRTD, SRTU, LRTU |
| 19 | 87703ZW7U00 | MARK, FLUSH MOUNT | | | (1) | LRTD, SRTU, LRTU |
| 20 | 90101ZW7U01 | SCREW, TRUSS, 4X12 | | | (1) | LRTD, SRTU, LRTU |

| | | | | | | |
|----|-------------|----------------------|--|--|-----|---------------------|
| | | | | | | LRTU |
| 21 | 90102ZW5U00 | SCREW, PAN, 5X10 | | | (1) | LRTD, SRTU, LRTU |
| 22 | 90102ZW7U01 | SCREW, PAN, 5X30 | | | (4) | LRTD, SRTU, LRTU |
| 23 | 90103ZW7U01 | SCREW, PAN, 6X35 | | | (3) | LRTD, SRTU, LRTU |
| 24 | 90104ZW7U01 | SCREW, TAPPING, 6X30 | | | (3) | LRTD, SRTU, LRTU |
| 25 | 90301ZW7U01 | NUT, HEX., 6MM | | | (3) | LRTD, SRTU, LRTU |
| 26 | 90501ZW5U00 | WASHER, LOCK, 5MM | | | (4) | LRTD, SRTU, LRTU |
| 27 | 90502ZW7U00 | WASHER, PLAIN, 6MM | | | (3) | LRTD, SRTU, LRTU |
| 28 | 9454006029 | E-RING, 6MM | | | (2) | LRTD, SRTU, LRTU |

BF25D4 (ZV7S2 43;13ZV70E1,extZV7S2 43;13ZV70E1,ZV7S2 33;13ZV70E1,extZV7S2 33;13ZV70E1,ZV7S2 G9;13ZV70E1,extZV7S2 G9;13ZV70E1,ZV7S2 H9;13ZV70E1,extZV7S2 H9;13ZV70E1,ZV7S2 G8;13ZV70E1,extZV7S2 G8;13ZV70E1,ZV7S2 H8;13ZV70E1,extZV7S2 H8;13ZV70E1,ZV7S2 13;13ZV70E1,extZV7S2 13;13ZV70E1,ZV7S2 12;13ZV70E1,extZV7S2 12;13ZV70E1)

FOP-5-5 REMOTE CONTROL (FLUSH MOUNT TYPE) (LEFT)

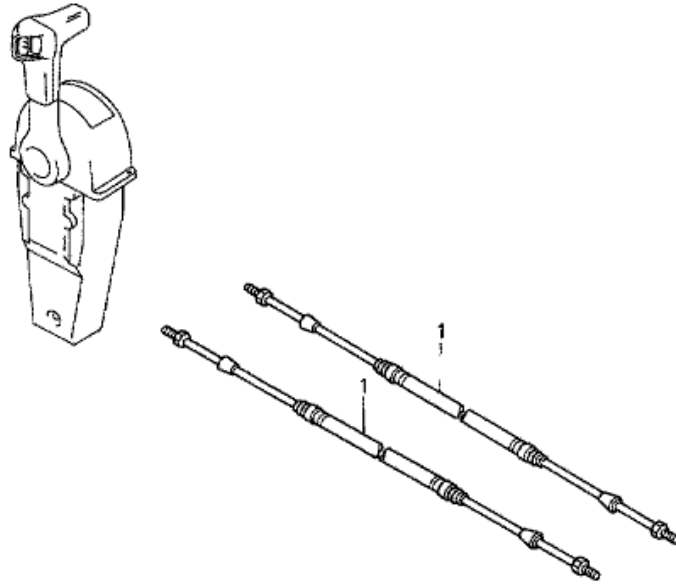


| Refnr | Parça Numarası | Açıklama | İlk numara | Son numara | Birim Adedi | Tipler |
|-------|----------------|--|------------|------------|-------------|------------------|
| 1 | 06240ZW7U10 | BOX KIT, REMOTE CONTROL (FLUSH MOUNT) (L.) | | | (1) | LRTD, SRTU, LRTU |
| 2 | 24810ZW7U11 | HOUSING ASSY., L. INNER (FLUSH MOUNT) | | | (1) | LRTD, SRTU, LRTU |
| 3 | 24811ZW7U01 | HANDLE, REMOTE CONTROL | | | (1) | LRTD, SRTU, LRTU |
| 4 | 24812ZW7U01 | COVER, GRIP | | | (1) | LRTD, SRTU, LRTU |
| 5 | 24813ZW7U01 | ARM, NEUTRAL LOCK | | | (1) | LRTD, SRTU, LRTU |
| 6 | 24814ZW7U01 | COVER, LOCK ARM | | | (1) | LRTD, SRTU, LRTU |
| 7 | 24815ZW7U01 | SPRING, NEUTRAL LOCK ARM | | | (1) | LRTD, SRTU, LRTU |
| 8 | 24816ZW5U01 | BUTTON, THROTTLE | | | (1) | LRTD, SRTU, LRTU |
| 9 | 24817ZW7U01 | SHAFT, THROTTLE BUTTON | | | (1) | LRTD, SRTU, LRTU |
| 10 | 24826ZW5U01 | PLATE, DWELL | | | (1) | LRTD, SRTU, LRTU |
| 11 | 24830ZW7U01 | COVER ASSY. | | | (1) | LRTD, SRTU, LRTU |
| 12 | 24831ZW5U01 | TERMINAL, CABLE | | | (2) | LRTD, SRTU, LRTU |
| 13 | 24832ZW5U01 | SPACER, CABLE CLAMP | | | (1) | LRTD, SRTU, LRTU |
| 14 | 24832ZW7U01 | HOLDER, NEUTRAL LOCK | | | (1) | LRTD, SRTU, LRTU |
| 15 | 24833ZW7U01 | BASE | | | (1) | LRTD, SRTU, LRTU |
| 16 | 32530ZW7U20 | SUB HARNESS ASSY., POWER TRIM-TILT (C) | | | (1) | LRTD, SRTU, LRTU |
| 17 | 35370ZW7U02 | SWITCH ASSY., POWER TRIM-TILT (C) | | | (1) | LRTD, SRTU, LRTU |
| 18 | 87701ZW7U01 | MARK, HANDLE FLUSH MOUNT | | | (1) | LRTD, SRTU, LRTU |
| 19 | 87703ZW7U00 | MARK, FLUSH MOUNT | | | (1) | LRTD, SRTU, LRTU |
| 20 | 90101ZW7U01 | SCREW, TRUSS, 4X12 | | | (1) | LRTD, SRTU, LRTU |

| | | | | | | |
|----|-------------|----------------------|--|--|-----|---------------------|
| | | | | | | LRTU |
| 21 | 90102ZW5U00 | SCREW, PAN, 5X10 | | | (1) | LRTD, SRTU, LRTU |
| 22 | 90102ZW7U01 | SCREW, PAN, 5X30 | | | (4) | LRTD, SRTU, LRTU |
| 23 | 90103ZW7U01 | SCREW, PAN, 6X35 | | | (3) | LRTD, SRTU, LRTU |
| 24 | 90104ZW7U01 | SCREW, TAPPING, 6X30 | | | (3) | LRTD, SRTU, LRTU |
| 25 | 90301ZW7U01 | NUT, HEX., 6MM | | | (3) | LRTD, SRTU, LRTU |
| 26 | 90501ZW5U00 | WASHER, LOCK, 5MM | | | (4) | LRTD, SRTU, LRTU |
| 27 | 90502ZW7U00 | WASHER, PLAIN, 6MM | | | (3) | LRTD, SRTU, LRTU |
| 28 | 9454006029 | E-RING, 6MM | | | (2) | LRTD, SRTU, LRTU |

BF25D4 (ZV7S2 43;13ZV70E1,extZV7S2 43;13ZV70E1,ZV7S2 33;13ZV70E1,extZV7S2 33;13ZV70E1,ZV7S2 G9;13ZV70E1,extZV7S2 G9;13ZV70E1,ZV7S2 H9;13ZV70E1,extZV7S2 H9;13ZV70E1,ZV7S2 G8;13ZV70E1,extZV7S2 G8;13ZV70E1,ZV7S2 H8;13ZV70E1,extZV7S2 H8;13ZV70E1,ZV7S2 13;13ZV70E1,extZV7S2 13;13ZV70E1,ZV7S2 12;13ZV70E1,extZV7S2 12;13ZV70E1)

FOP-6 CABLE (SINGLE)



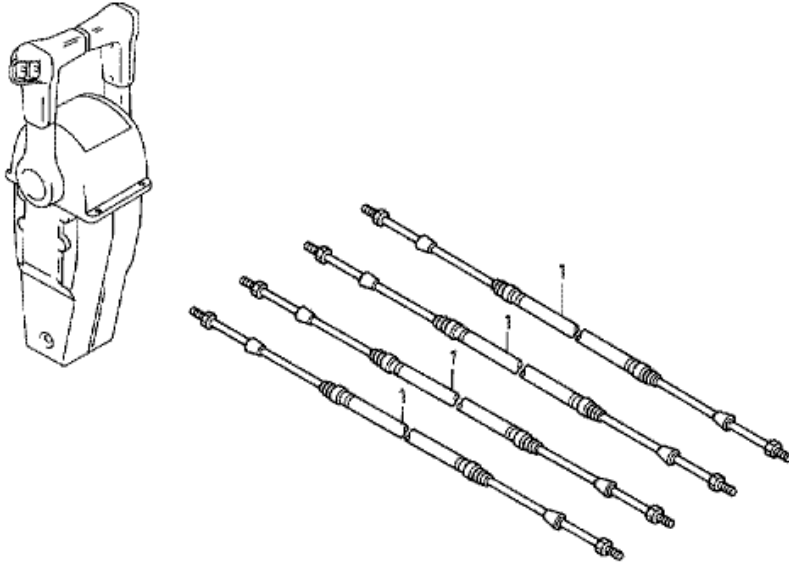
ZV73-Y0800

| Refnr | Parça Numarası | Açıklama | İlk numara | Son numara | Birim Adedi | Tipler |
|-------|----------------|-----------------------------------|------------|------------|-------------|------------------|
| 1 | 24911ZW7U01 | CABLE ASSY., PUSH-PULL (33C-5FT) | | | (2) | LRTD, SRTU, LRTU |
| 1 | 24912ZW7U01 | CABLE ASSY., PUSH-PULL (33C-6FT) | | | (2) | LRTD, SRTU, LRTU |
| 1 | 24913ZW7U01 | CABLE ASSY., PUSH-PULL (33C-7FT) | | | (2) | LRTD, SRTU, LRTU |
| 1 | 24914ZW7U01 | CABLE ASSY., PUSH-PULL (33C-8FT) | | | (2) | LRTD, SRTU, LRTU |
| 1 | 24915ZW7U01 | CABLE ASSY., PUSH-PULL (33C-9FT) | | | (2) | LRTD, SRTU, LRTU |
| 1 | 24916ZW7U01 | CABLE ASSY., PUSH-PULL (33C-10FT) | | | (2) | LRTD, SRTU, LRTU |
| 1 | 24917ZW7U01 | CABLE ASSY., PUSH-PULL (33C-11FT) | | | (2) | LRTD, SRTU, LRTU |
| 1 | 24918ZW7U01 | CABLE ASSY., PUSH-PULL (33C-12FT) | | | (2) | LRTD, SRTU, LRTU |
| 1 | 24919ZW7U01 | CABLE ASSY., PUSH-PULL (33C-13FT) | | | (2) | LRTD, SRTU, LRTU |
| 1 | 24920ZW7U01 | CABLE ASSY., PUSH-PULL (33C-14FT) | | | (2) | LRTD, SRTU, LRTU |
| 1 | 24921ZW7U01 | CABLE ASSY., PUSH-PULL (33C-15FT) | | | (2) | LRTD, SRTU, LRTU |
| 1 | 24922ZW7U01 | CABLE ASSY., PUSH-PULL (33C-16FT) | | | (2) | LRTD, SRTU, LRTU |
| 1 | 24923ZW7U01 | CABLE ASSY., PUSH-PULL (33C-17FT) | | | (2) | LRTD, SRTU, LRTU |
| 1 | 24924ZW7U01 | CABLE ASSY., PUSH-PULL (33C-18FT) | | | (2) | LRTD, SRTU, LRTU |
| 1 | 24925ZW7U01 | CABLE ASSY., PUSH-PULL (33C-19FT) | | | (2) | LRTD, SRTU, LRTU |
| 1 | 24926ZW7U01 | CABLE ASSY., PUSH-PULL (33C-20FT) | | | (2) | LRTD, SRTU, LRTU |
| 1 | 24927ZW7U01 | CABLE ASSY., PUSH-PULL (33C-21FT) | | | (2) | LRTD, SRTU, LRTU |
| 1 | 24928ZW7U01 | CABLE ASSY., PUSH-PULL (33C-22FT) | | | (2) | LRTD, SRTU, LRTU |
| 1 | 24929ZW7U01 | CABLE ASSY., PUSH-PULL (33C-23FT) | | | (2) | LRTD, SRTU, LRTU |
| 1 | 24930ZW7U01 | CABLE ASSY., PUSH-PULL (33C-24FT) | | | (2) | LRTD, SRTU, LRTU |

| | | | | | | |
|---|-------------|-----------------------------------|--|--|-----|---------------------|
| | | | | | | LRTU |
| 1 | 24931ZW7U01 | CABLE ASSY., PUSH-PULL (33C-25FT) | | | (2) | LRTD, SRTU, LRTU |
| 1 | 24932ZW7U01 | CABLE ASSY., PUSH-PULL (33C-26FT) | | | (2) | LRTD, SRTU, LRTU |
| 1 | 24933ZW7U01 | CABLE ASSY., PUSH-PULL (33C-27FT) | | | (2) | LRTD, SRTU, LRTU |
| 1 | 24934ZW7U01 | CABLE ASSY., PUSH-PULL (33C-28FT) | | | (2) | LRTD, SRTU, LRTU |
| 1 | 24935ZW7U01 | CABLE ASSY., PUSH-PULL (33C-29FT) | | | (2) | LRTD, SRTU, LRTU |
| 1 | 24936ZW7U01 | CABLE ASSY., PUSH-PULL (33C-30FT) | | | (2) | LRTD, SRTU, LRTU |
| 1 | 24937ZW7U01 | CABLE ASSY., PUSH-PULL (33C-31FT) | | | (2) | LRTD, SRTU, LRTU |
| 1 | 24938ZW7U01 | CABLE ASSY., PUSH-PULL (33C-32FT) | | | (2) | LRTD, SRTU, LRTU |

BF25D4 (ZV7S2 43;13ZV70E1,extZV7S2 43;13ZV70E1,ZV7S2 33;13ZV70E1,extZV7S2 33;13ZV70E1,ZV7S2 G9;13ZV70E1,extZV7S2 G9;13ZV70E1,ZV7S2 H9;13ZV70E1,extZV7S2 H9;13ZV70E1,ZV7S2 G8;13ZV70E1,extZV7S2 G8;13ZV70E1,ZV7S2 H8;13ZV70E1,extZV7S2 H8;13ZV70E1,ZV7S2 13;13ZV70E1,extZV7S2 13;13ZV70E1,ZV7S2 12;13ZV70E1,extZV7S2 12;13ZV70E1)

FOP-6-1 CABLE (DUAL)



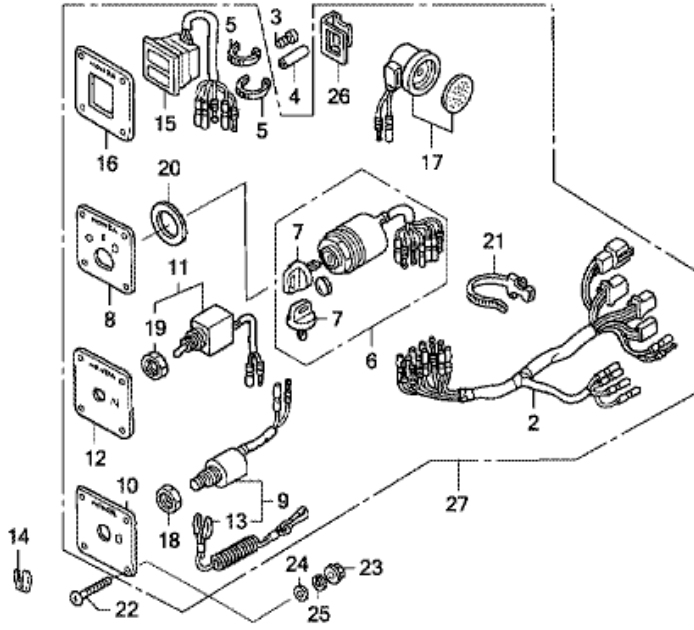
ZV73--Y0601

| Refnr | Parça Numarası | Açıklama | İlk numara | Son numara | Birim Adedi | Tipler |
|-------|----------------|-----------------------------------|------------|------------|-------------|------------------|
| 1 | 24911ZW7U01 | CABLE ASSY., PUSH-PULL (33C-5FT) | | | (4) | LRTD, SRTU, LRTU |
| 1 | 24912ZW7U01 | CABLE ASSY., PUSH-PULL (33C-6FT) | | | (4) | LRTD, SRTU, LRTU |
| 1 | 24913ZW7U01 | CABLE ASSY., PUSH-PULL (33C-7FT) | | | (4) | LRTD, SRTU, LRTU |
| 1 | 24914ZW7U01 | CABLE ASSY., PUSH-PULL (33C-8FT) | | | (4) | LRTD, SRTU, LRTU |
| 1 | 24915ZW7U01 | CABLE ASSY., PUSH-PULL (33C-9FT) | | | (4) | LRTD, SRTU, LRTU |
| 1 | 24916ZW7U01 | CABLE ASSY., PUSH-PULL (33C-10FT) | | | (4) | LRTD, SRTU, LRTU |
| 1 | 24917ZW7U01 | CABLE ASSY., PUSH-PULL (33C-11FT) | | | (4) | LRTD, SRTU, LRTU |
| 1 | 24918ZW7U01 | CABLE ASSY., PUSH-PULL (33C-12FT) | | | (4) | LRTD, SRTU, LRTU |
| 1 | 24919ZW7U01 | CABLE ASSY., PUSH-PULL (33C-13FT) | | | (4) | LRTD, SRTU, LRTU |
| 1 | 24920ZW7U01 | CABLE ASSY., PUSH-PULL (33C-14FT) | | | (4) | LRTD, SRTU, LRTU |
| 1 | 24921ZW7U01 | CABLE ASSY., PUSH-PULL (33C-15FT) | | | (4) | LRTD, SRTU, LRTU |
| 1 | 24922ZW7U01 | CABLE ASSY., PUSH-PULL (33C-16FT) | | | (4) | LRTD, SRTU, LRTU |
| 1 | 24923ZW7U01 | CABLE ASSY., PUSH-PULL (33C-17FT) | | | (4) | LRTD, SRTU, LRTU |
| 1 | 24924ZW7U01 | CABLE ASSY., PUSH-PULL (33C-18FT) | | | (4) | LRTD, SRTU, LRTU |
| 1 | 24925ZW7U01 | CABLE ASSY., PUSH-PULL (33C-19FT) | | | (4) | LRTD, SRTU, LRTU |
| 1 | 24926ZW7U01 | CABLE ASSY., PUSH-PULL (33C-20FT) | | | (4) | LRTD, SRTU, LRTU |
| 1 | 24927ZW7U01 | CABLE ASSY., PUSH-PULL (33C-21FT) | | | (4) | LRTD, SRTU, LRTU |
| 1 | 24928ZW7U01 | CABLE ASSY., PUSH-PULL (33C-22FT) | | | (4) | LRTD, SRTU, LRTU |
| 1 | 24929ZW7U01 | CABLE ASSY., PUSH-PULL (33C-23FT) | | | (4) | LRTD, SRTU, LRTU |
| 1 | 24930ZW7U01 | CABLE ASSY., PUSH-PULL (33C-24FT) | | | (4) | LRTD, SRTU, LRTU |

| | | | | | | |
|---|-------------|-----------------------------------|--|--|-----|---------------------|
| | | | | | | LRTU |
| 1 | 24931ZW7U01 | CABLE ASSY., PUSH-PULL (33C-25FT) | | | (4) | LRTD, SRTU, LRTU |
| 1 | 24932ZW7U01 | CABLE ASSY., PUSH-PULL (33C-26FT) | | | (4) | LRTD, SRTU, LRTU |
| 1 | 24933ZW7U01 | CABLE ASSY., PUSH-PULL (33C-27FT) | | | (4) | LRTD, SRTU, LRTU |
| 1 | 24934ZW7U01 | CABLE ASSY., PUSH-PULL (33C-28FT) | | | (4) | LRTD, SRTU, LRTU |
| 1 | 24935ZW7U01 | CABLE ASSY., PUSH-PULL (33C-29FT) | | | (4) | LRTD, SRTU, LRTU |
| 1 | 24936ZW7U01 | CABLE ASSY., PUSH-PULL (33C-30FT) | | | (4) | LRTD, SRTU, LRTU |
| 1 | 24937ZW7U01 | CABLE ASSY., PUSH-PULL (33C-31FT) | | | (4) | LRTD, SRTU, LRTU |
| 1 | 24938ZW7U01 | CABLE ASSY., PUSH-PULL (33C-32FT) | | | (4) | LRTD, SRTU, LRTU |

BF25D4 (ZV7S2 43;13ZV70E1,extZV7S2 43;13ZV70E1,ZV7S2 33;13ZV70E1,extZV7S2 33;13ZV70E1,ZV7S2 G9;13ZV70E1,extZV7S2 G9;13ZV70E1,ZV7S2 H9;13ZV70E1,extZV7S2 H9;13ZV70E1,ZV7S2 G8;13ZV70E1,extZV7S2 G8;13ZV70E1,ZV7S2 H8;13ZV70E1,extZV7S2 H8;13ZV70E1,ZV7S2 13;13ZV70E1,extZV7S2 13;13ZV70E1,ZV7S2 12;13ZV70E1,extZV7S2 12;13ZV70E1)

FOP-7 CONTROL PANEL KIT



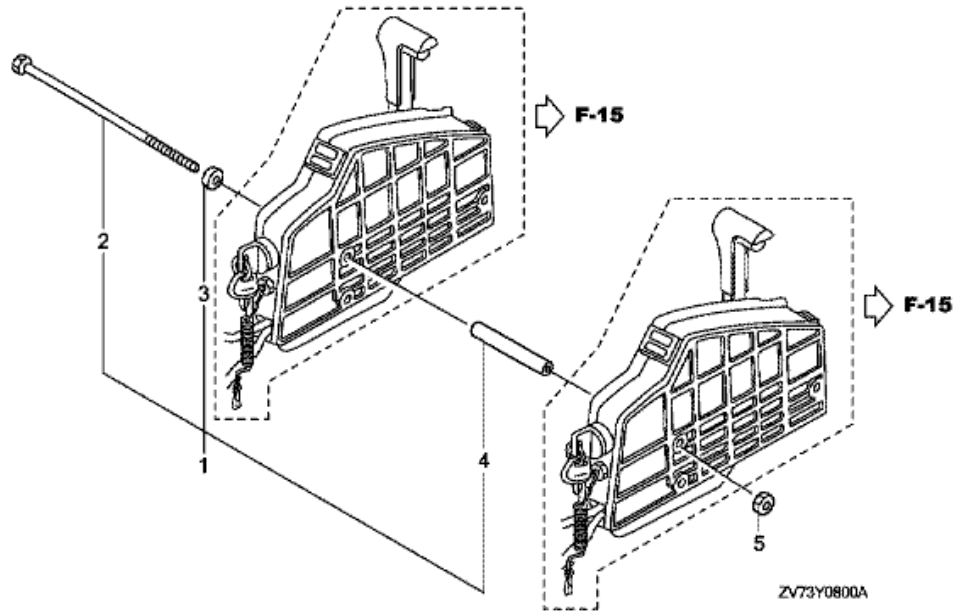
ZV73Y0700C

| Refnr | Parça Numarası | Acıklama | İlk numara | Son numara | Birim Adedi | Tipler |
|-------|----------------|-------------------------------|------------|------------|-------------|------------------------------------|
| 2 | 32545ZW1V02 | HARNESS ASSY., SWITCH PANEL | | 1001761 | (1) | LRTD, LHGD |
| 2 | 32545ZW1V03 | HARNESS ASSY., SWITCH PANEL | 1000924 | | (1) | LRTD, LHGD, SRTU, LRTU, SHGU, LHGU |
| 3 | 32823ZV5003 | PLUG, INNER CONNECTOR | | | (1) | LRTD, LHGD, SRTU, LRTU, SHGU, LHGU |
| 4 | 32824ZV5003 | PLUG, OUTER CONNECTOR | | | (1) | LRTD, LHGD, SRTU, LRTU, SHGU, LHGU |
| 5 | 32901952770 | TIE, CABLE (2.4X92) (NATURAL) | | 1007273 | (5) | LRTD, LHGD, SRTU, LRTU, SHGU, LHGU |
| 6 | 35100ZV5003 | SWITCH ASSY., COMBINATION | | 1004078 | (1) | LRTD, LHGD, SRTU, LRTU, SHGU, LHGU |
| 6 | 35100ZV5013 | SWITCH ASSY., COMBINATION | 1010329 | | (1) | LRTD, LHGD, SRTU, LRTU, SHGU, LHGU |
| 7 | 35110ZV5003 | KEY ASSY., COMBINATION SWITCH | | 1010328 | (2) | LRTD, LHGD, SRTU, LRTU, SHGU, LHGU |
| 8 | 35118ZW5U02 | PANEL, SWITCH | | | (1) | LRTD, LHGD, SRTU, LRTU, SHGU, LHGU |
| 9 | 35180ZV7013 | SWITCH ASSY., EMERGENCY STOP | | 1007273 | (1) | LRTD, LHGD, SRTU, LRTU, SHGU, LHGU |
| 9 | 35180ZV7023 | SWITCH ASSY., EMERGENCY STOP | 1003458 | | (1) | LRTD, LHGD, SRTU, LRTU, SHGU, LHGU |
| 10 | 35184ZW5U02 | PANEL, EMERGENCY STOP SWITCH | | | (1) | LRTD, LHGD, SRTU, LRTU, SHGU, LHGU |
| 11 | 35630ZW5U11 | SWITCH ASSY., SOLENOID | | | (1) | LRTD, LHGD, SRTU, LRTU, SHGU, LHGU |
| 12 | 35634ZW5U12 | PANEL, SOLENOID | | | (1) | LRTD, LHGD, SRTU, LRTU, SHGU, LHGU |

| | | | | | | |
|----|-------------|--------------------------------------|---------|---------|------|--|
| 13 | 36182ZV4650 | CORD COMP., EMERGENCY | | 1007273 | (1) | LRTD, LHGD, SRTU, LRTU, SHGU, LHGU |
| 13 | 36182ZV4651 | CORD COMP., EMERGENCY | | | (1) | LRTD, LHGD, SRTU, LRTU, SHGU, LHGU |
| 14 | 36187ZV4651 | CLIP, EMERGENCY LOCK | | 1007273 | (1) | LRTD, LHGD, SRTU, LRTU, SHGU, LHGU |
| 14 | 36187ZV4652 | CLIP, EMERGENCY LOCK | 1007274 | | (1) | LRTD, LHGD, SRTU, LRTU, SHGU, LHGU |
| 15 | 37210ZW5U01 | LAMP ASSY., INDICATOR (2-LED) | | | (1) | LRTD, LHGD, SRTU, LRTU, SHGU, LHGU |
| 16 | 37214ZW5U02 | PANEL, INDICATOR | | | (1) | LRTD, LHGD, SRTU, LRTU, SHGU, LHGU |
| 17 | 38410ZW5U01 | BUZZER COMP., WARNING | | | (1) | LRTD, LHGD, SRTU, LRTU, SHGU, LHGU |
| 18 | 90302921000 | NUT, HEX., 16MM | | | (1) | LRTD, LHGD, SRTU, LRTU, SHGU, LHGU |
| 19 | 90305ZW1V01 | NUT, HEX., 12MM | | | (1) | LRTD, LHGD, SRTU, LRTU, SHGU, LHGU |
| 20 | 90513ZW5U00 | WASHER, PLAIN | | | (1) | LRTD, LHGD, SRTU, LRTU, SHGU, LHGU |
| 21 | 90649SC2003 | BAND, WIRE HARNESS (NATURAL) (150MM) | | | (1) | LRTD, LHGD, SRTU, LRTU, SHGU, LHGU |
| 22 | 90109ZW5000 | SCREW, PAN, 5X40 | | | (16) | LRTD, LHGD, SRTU, LRTU, SHGU, LHGU |
| 23 | 18334MT8770 | NUT, FLANGE, 5MM | | | (16) | LRTD, LHGD, SRTU, LRTU, SHGU, LHGU |
| 24 | 9410305400 | WASHER, PLAIN, 5MM | | | (16) | LRTD, LHGD, SRTU, LRTU, SHGU, LHGU |
| 25 | 9411105400 | WASHER, SPRING, 5MM | | | (16) | LRTD, LHGD, SRTU, LRTU, SHGU, LHGU |
| 26 | 38414ZW5U00 | BRACKET, BUZZER | | | (1) | LRTD, LHGD, SRTU, LRTU, SHGU, LHGU |
| 27 | 32340ZW5U05 | PANEL ASSY., CONTROL (TYPE B) | | 1010328 | (1) | LRTD, LHGD, SRTU, LRTU, SHGU, LHGU |
| 27 | 32340ZW5U06 | PANEL ASSY., CONTROL (TYPE B) | 1010329 | | (1) | LRTD, LHGD, SRTU, LRTU, SHGU, LHGU |

BF25D4 (ZV7S2 43;13ZV70E1,extZV7S2 43;13ZV70E1,ZV7S2 33;13ZV70E1,extZV7S2 33;13ZV70E1,ZV7S2 G9;13ZV70E1,extZV7S2 G9;13ZV70E1,ZV7S2 H9;13ZV70E1,extZV7S2 H9;13ZV70E1,ZV7S2 G8;13ZV70E1,extZV7S2 G8;13ZV70E1,ZV7S2 H8;13ZV70E1,extZV7S2 H8;13ZV70E1,ZV7S2 13;13ZV70E1,extZV7S2 13;13ZV70E1,ZV7S2 12;13ZV70E1,extZV7S2 12;13ZV70E1)

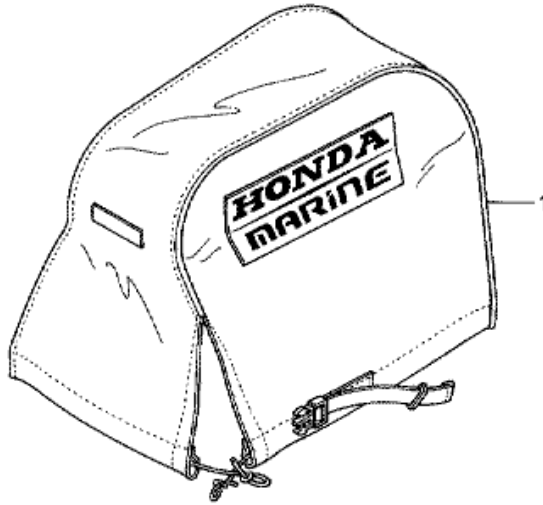
FOP-8 BOLT KIT



| Refnr | Parça Numarası | Açıklama | İlk numara | Son numara | Birim Adedi | Tipler |
|-------|----------------|-------------------------------|------------|------------|-------------|------------------|
| 1 | 06900ZW5U00 | BOLT KIT, SIDE REMOTE CONTROL | | | (1) | LRTD, SRTU, LRTU |
| 2 | 90021ZW5U00 | BOLT, SPECIAL, 6X220 | | | (3) | LRTD, SRTU, LRTU |
| 3 | 90511ZW5U00 | COLLAR, DISTANCE (A) | | | (3) | LRTD, SRTU, LRTU |
| 4 | 90512ZW5U00 | COLLAR, DISTANCE (B) | | | (3) | LRTD, SRTU, LRTU |
| 5 | 94001064900S | NUT, HEX., 6MM | | | (3) | LRTD, SRTU, LRTU |

BF25D4 (ZV7S2 43;13ZV70E1,extZV7S2 43;13ZV70E1,ZV7S2 33;13ZV70E1,extZV7S2 33;13ZV70E1,ZV7S2 G9;13ZV70E1,extZV7S2 G9;13ZV70E1,ZV7S2 H9;13ZV70E1,extZV7S2 H9;13ZV70E1,ZV7S2 G8;13ZV70E1,extZV7S2 G8;13ZV70E1,ZV7S2 H8;13ZV70E1,extZV7S2 H8;13ZV70E1,ZV7S2 13;13ZV70E1,extZV7S2 13;13ZV70E1,ZV7S2 12;13ZV70E1,extZV7S2 12;13ZV70E1)

FOP-9 ENGINE COVER

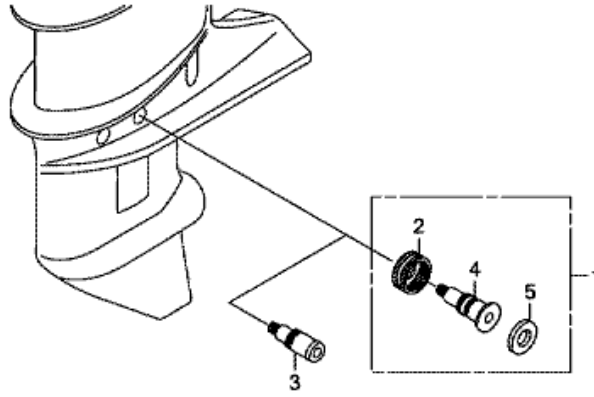


ZV73-Y0900

| Refnr | Parça Numarası | Acıklama | İlk numara | Son numara | Birim Adedi | Tipler |
|-------|----------------|---------------|------------|------------|-------------|----------|
| 1 | 88163ZV7U00 | COVER, ENGINE | | | (1) | SHD, LHD |

BF25D4 (ZV7S2 43;13ZV70E1,extZV7S2 43;13ZV70E1,ZV7S2 33;13ZV70E1,extZV7S2 33;13ZV70E1,ZV7S2 G9;13ZV70E1,extZV7S2 G9;13ZV70E1,ZV7S2 H9;13ZV70E1,extZV7S2 H9;13ZV70E1,ZV7S2 G8;13ZV70E1,extZV7S2 G8;13ZV70E1,ZV7S2 H8;13ZV70E1,extZV7S2 H8;13ZV70E1,ZV7S2 13;13ZV70E1,extZV7S2 13;13ZV70E1,ZV7S2 12;13ZV70E1,extZV7S2 12;13ZV70E1)

FOP-10 WATER HOSE JOINT KIT

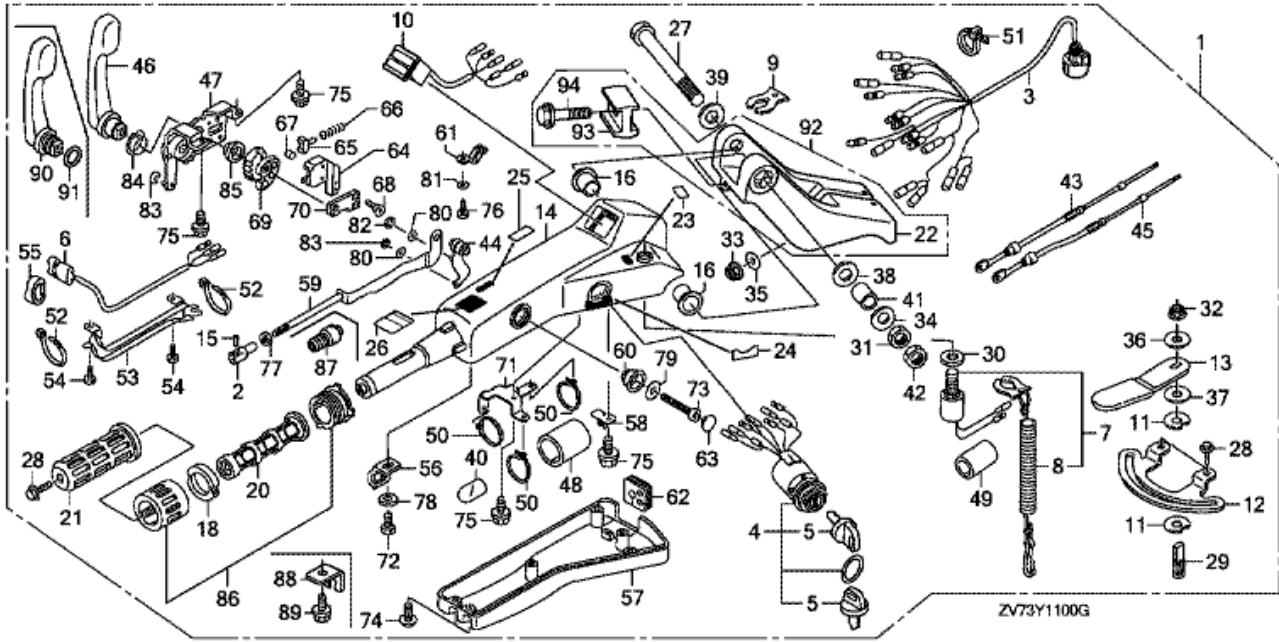


ZV73Y1000B

| Refnr | Parça Numarası | Acıklama | İlk numara | Son numara | Birim Adedi | Tipler |
|-------|----------------|-----------------------|------------|------------|-------------|------------------------------------|
| 1 | 06190ZV1860 | JOINT KIT, WATER HOSE | | | (1) | LRTD, LHGD, SRTU, LRTU, SHGU, LHGU |
| 2 | 19270881812 | NUT, WATER MOUTH | | | (1) | LRTD, LHGD, SRTU, LRTU, SHGU, LHGU |
| 3 | 19271ZV1000 | JOINT, WATER HOSE | | | (1) | SHD, LHD |
| 4 | 19271ZV1810 | JOINT, WATER HOSE | | | (1) | LRTD, LHGD, SRTU, LRTU, SHGU, LHGU |
| 5 | 19272881810 | SEAT, WATER MOUTH | | | (1) | LRTD, LHGD, SRTU, LRTU, SHGU, LHGU |

BF25D4 (ZV7S2 43;13ZV70E1,extZV7S2 43;13ZV70E1,ZV7S2 33;13ZV70E1,extZV7S2 33;13ZV70E1,ZV7S2 G9;13ZV70E1,extZV7S2 G9;13ZV70E1,ZV7S2 H9;13ZV70E1,extZV7S2 H9;13ZV70E1,ZV7S2 G8;13ZV70E1,extZV7S2 G8;13ZV70E1,ZV7S2 H8;13ZV70E1,extZV7S2 H8;13ZV70E1,ZV7S2 13;13ZV70E1,extZV7S2 13;13ZV70E1,ZV7S2 12;13ZV70E1,extZV7S2 12;13ZV70E1)

FOP-11 STEERING HANDLE KIT



| Refnr | Parça Numarası | Açıklama | İlk numara | Son numara | Birim Adedi | Tipler |
|-------|----------------|---------------------------------|------------|------------|-------------|------------------|
| 1 | 06533ZW2304ZA | HANDLE KIT, STEERING *NH282MU* | 1009413 | 1010328 | (1) | LRTD, SRTU, LRTU |
| 1 | 06533ZW2F50ZA | HANDLE KIT, STEERING *NH282MU * | | 1007109 | (1) | LRTD, SRTU, LRTU |
| 1 | 06533ZW2F51ZA | HANDLE KIT, STEERING *NH282MU * | 1007110 | 1007273 | (1) | LRTD, SRTU, LRTU |
| 1 | 06533ZW2F52ZA | HANDLE KIT, STEERING *NH282MU * | 1007274 | 1008323 | (1) | LRTD, SRTU, LRTU |
| 1 | 06533ZW2F53ZA | HANDLE KIT, STEERING *NH282MU * | 1008324 | 1009227 | (1) | LRTD, SRTU, LRTU |
| 1 | 06533ZW2F54ZA | HANDLE KIT, STEERING *NH282MU * | 1003816 | 1003938 | (1) | LRTD, SRTU, LRTU |
| 1 | 06533ZW2F55ZA | HANDLE KIT, STEERING *NH282MU* | 1010329 | 1010145 | (1) | LRTD, SRTU, LRTU |
| 1 | 06533ZW2F56ZA | HANDLE KIT, STEERING *NH282MU* | 1010146 | | (1) | LRTD, SRTU, LRTU |
| 2 | 17917ZW9000 | PIVOT, THROTTLE CABLE | | | (1) | LRTD, SRTU, LRTU |
| 3 | 32538ZW2F01 | CABLE ASSY., LONG HANDLE (A) | | | (1) | LRTD, SRTU, LRTU |
| 4 | 35100ZW4H01 | SWITCH ASSY., COMBINATION | | | (1) | LRTD, SRTU, LRTU |
| 4 | 35100ZW4H02 | SWITCH ASSY., COMBINATION | 1010329 | | (1) | LRTD, SRTU, LRTU |
| 5 | 35110ZV5003 | KEY ASSY., COMBINATION SWITCH | | 1010328 | (2) | LRTD, SRTU, LRTU |
| 6 | 35640ZW4H11 | SWITCH ASSY., POWER TILT | | | (1) | LRTD, SRTU, LRTU |
| 7 | 36180ZV5013 | SWITCH ASSY., EMERGENCY STOP | | 1003457 | (1) | LRTD, SRTU, LRTU |
| 7 | 36180ZV5023 | SWITCH ASSY., EMERGENCY STOP | 1007274 | | (1) | LRTD, SRTU, LRTU |
| 8 | 36182ZV4650 | CORD COMP., EMERGENCY | | 1003457 | (1) | LRTD, SRTU, LRTU |
| 8 | 36182ZV4651 | CORD COMP., EMERGENCY | 1007274 | | (1) | LRTD, SRTU, LRTU |
| 9 | 36187ZV4651 | CLIP, EMERGENCY LOCK | | 1003457 | (1) | LRTD, SRTU, LRTU |
| 9 | 36187ZV4652 | CLIP, EMERGENCY LOCK | 1007274 | | (1) | LRTD, SRTU, LRTU |

| | | | | | | |
|----|---------------|--|---------|---------|-----|------------------|
| | | | | | | LRTU |
| 10 | 37210ZW1702 | LAMP ASSY., INDICATION (2-LED) | | | (1) | LRTD, SRTU, LRTU |
| 11 | 50212ZW9003 | BLOCK COMP., FRICTION | | | (2) | LRTD, SRTU, LRTU |
| 12 | 50218ZW2F00 | PLATE, FRICTION | | | (1) | LRTD, SRTU, LRTU |
| 13 | 50219ZW2F10 | LEVER, FRICTION | | | (1) | LRTD, SRTU, LRTU |
| 14 | 53101ZW4H01ZA | HOUSING *NH282MU * | | 1007273 | (1) | LRTD, SRTU, LRTU |
| 14 | 53101ZY9A01ZA | HOUSING *NH282MU * | 1007274 | 1009227 | (1) | LRTD, SRTU, LRTU |
| 14 | 53101ZY9A02ZA | HOUSING *NH282MU * | 1009228 | | (1) | LRTD, SRTU, LRTU |
| 15 | 53103ZW9000 | PIN, THROTTLE CABLE | | | (1) | LRTD, SRTU, LRTU |
| 16 | 53116ZW4H11 | BUSH, STEERING HANDLE | | | (2) | LRTD, SRTU, LRTU |
| 18 | 53133ZW9000 | PAD, THROTTLE FRICTION | | | (1) | LRTD, SRTU, LRTU |
| 20 | 53141ZW4H00 | PIPE, GRIP | | | (1) | LRTD, SRTU, LRTU |
| 21 | 53165ZW9000 | RUBBER, GRIP | | | (1) | LRTD, SRTU, LRTU |
| 22 | 53233ZZ5000ZA | BRACKET, STEERING *NH282MU* | 1004065 | | (1) | LRTD, SRTU, LRTU |
| 23 | 87124ZV3010 | MARK, EMERGENCY SWITCH INDICATION | | 1011887 | (1) | LRTD, SRTU, LRTU |
| 23 | 87124ZZ5780 | MARK, EMERGENCY SWITCH INDICATION (EU) | 1011888 | | (1) | LRTD, SRTU, LRTU |
| 24 | 87125ZW1700 | MARK, STARTER (ENGLISH) | 1008324 | | (1) | LRTD, SRTU, LRTU |
| 24 | 87125ZW1720 | MARK, STARTER (EF) | | | (1) | LRTD, SRTU, LRTU |
| 25 | 87511ZW9620 | MARK, CHANGE (ENGLISH/FRENCH) | | | (1) | LRTD, SRTU, LRTU |
| 26 | 87532ZW9620 | MARK, THROTTLE (ENGLISH/FRENCH) | | | (1) | LRTD, SRTU, LRTU |
| 27 | 90101ZW4H00 | BOLT, HEX., 12X80 | | | (1) | LRTD, SRTU, LRTU |
| 28 | 90102ZW9000 | BOLT, FLANGE, 6X12 | | | (3) | LRTD, SRTU, LRTU |
| 29 | 90162ZW9000 | BOLT, STUD, 8X26 | | | (1) | LRTD, SRTU, LRTU |
| 30 | 90302921000 | NUT, HEX., 16MM | | | (1) | LRTD, SRTU, LRTU |
| 31 | 90303ZW4H00 | NUT, HEX., 12MM | | | (1) | LRTD, SRTU, LRTU |
| 32 | 90305ZW9000 | NUT, SELF-LOCK, 8MM | | | (1) | LRTD, SRTU, LRTU |
| 33 | 90306ZV5003 | NUT, SELF-LOCK, 10MM | | | (2) | LRTD, SRTU, LRTU |
| 34 | 90506ZV1000 | WASHER, WAVE, 14MM | | | (1) | LRTD, SRTU, LRTU |
| 35 | 90514ZV4000 | WASHER, 10MM | | | (2) | LRTD, SRTU, LRTU |
| 36 | 90514921000 | WASHER, 8MM | | | (1) | LRTD, SRTU, LRTU |
| 37 | 90517ZW9000 | WASHER, NYLON, 8MM | | | (1) | LRTD, SRTU, LRTU |
| 38 | 90552ZV5000 | WASHER, PLAIN, 12MM | | | (1) | LRTD, SRTU, LRTU |
| 39 | 90559ZV5000 | WASHER, PLAIN, 12MM | | | (1) | LRTD, SRTU, LRTU |
| 40 | 91408ZJ1810 | TUBE, CORD, 30MM | | | (1) | LRTD, SRTU, LRTU |
| 41 | 91552ZW4H00 | COLLAR, DISTANCE, 12.2X23X16 | | | (1) | LRTD, SRTU, LRTU |
| 42 | 94002124900S | NUT, HEX., 12MM | | | (1) | LRTD, SRTU, LRTU |

| | | | | | | |
|----|-------------|------------------------------|---------|---------|-----|------------------|
| 43 | 17910ZW4H01 | CABLE COMP., THROTTLE | | | (1) | LRTD, SRTU, LRTU |
| 44 | 17931ZW4H01 | ARM, THROTTLE | | 1008323 | (1) | LRTD, SRTU, LRTU |
| 44 | 17931ZW4H02 | ARM, THROTTLE | 1003642 | | (1) | LRTD, SRTU, LRTU |
| 45 | 24590ZW4H01 | CABLE, SHIFT | | | (1) | LRTD, SRTU, LRTU |
| 46 | 24614ZW4H01 | LEVER, SHIFT | | 1009227 | (1) | LRTD, SRTU, LRTU |
| 46 | 24614ZW4H02 | LEVER, SHIFT | 1009228 | 1009412 | (1) | LRTD, SRTU, LRTU |
| 47 | 24615ZW4H01 | FRAME ASSY., SHIFT | | 1003641 | (1) | LRTD, SRTU, LRTU |
| 47 | 24615ZW4H02 | FRAME ASSY., SHIFT | 1008324 | 1009227 | (1) | LRTD, SRTU, LRTU |
| 47 | 24615ZW4H03 | FRAME ASSY., SHIFT | 1009228 | | (1) | LRTD, SRTU, LRTU |
| 48 | 32533ZW4H01 | TUBE (38.1X40) | | | (1) | LRTD, SRTU, LRTU |
| 49 | 32534ZW4H01 | TUBE (19X40) | | | (1) | LRTD, SRTU, LRTU |
| 50 | 32543ZW4H01 | BAND (CONVEX CV-150) | | | (3) | LRTD, SRTU, LRTU |
| 51 | 32544ZW4H01 | BAND (CONVEX CV-200) | 1003118 | | (2) | LRTD, SRTU, LRTU |
| 51 | 32544ZW4H01 | BAND (CONVEX CV-200) | | 1006013 | (1) | LRTD, SRTU, LRTU |
| 52 | 32547ZW4H01 | BAND (CONVEX) | | | (2) | LRTD, SRTU, LRTU |
| 53 | 32548ZW4H01 | COVER, WIRE | | | (1) | LRTD, SRTU, LRTU |
| 54 | 32549ZW4H01 | SCREW | | | (2) | LRTD, SRTU, LRTU |
| 55 | 35643ZW4H01 | GROMMET | | 1009227 | (1) | LRTD, SRTU, LRTU |
| 55 | 35643ZW4H02 | GROMMET | 1009228 | | (1) | LRTD, SRTU, LRTU |
| 56 | 35645ZW4H01 | HOLDER, SWITCH | | | (1) | LRTD, SRTU, LRTU |
| 56 | 35645ZW4H02 | HOLDER, SWITCH | 1008324 | | (1) | LRTD, SRTU, LRTU |
| 57 | 53102ZW4H01 | COVER, UNDER | | 1007273 | (1) | LRTD, SRTU, LRTU |
| 57 | 53102ZY9A01 | COVER, STEERING HANDLE UNDER | 1007274 | 1009227 | (1) | LRTD, SRTU, LRTU |
| 57 | 53102ZY9A02 | COVER, STEERING HANDLE UNDER | 1003816 | | (1) | LRTD, SRTU, LRTU |
| 58 | 53104ZW4H01 | BRACKET, CABLE | | 1003641 | (1) | LRTD, SRTU, LRTU |
| 58 | 53104ZW4H02 | BRACKET, CABLE | 1008324 | | (1) | LRTD, SRTU, LRTU |
| 59 | 53105ZW4H01 | PLATE ASSY., LOCK | | | (1) | LRTD, SRTU, LRTU |
| 60 | 53106ZW4H01 | STOPPER | | | (1) | LRTD, SRTU, LRTU |
| 61 | 53107ZW4H01 | PLATE, GUIDE | | 1003641 | (1) | LRTD, SRTU, LRTU |
| 61 | 53107ZW4H02 | PLATE, GUIDE | 1003642 | | (1) | LRTD, SRTU, LRTU |
| 62 | 53108ZW4H01 | GROMMET | | | (1) | LRTD, SRTU, LRTU |
| 63 | 53109ZW4H01 | CAP | | 1009227 | (1) | LRTD, SRTU, LRTU |
| 63 | 53109ZW4H02 | CAP | 1009228 | | (1) | LRTD, SRTU, LRTU |
| 64 | 53112ZW4H01 | GUIDE, SPRING | | | (1) | LRTD, SRTU, LRTU |
| 64 | 53112ZW4H02 | GUIDE, SPRING | 1008324 | | (1) | LRTD, SRTU, LRTU |
| 65 | 53113ZW4H01 | ACTUATOR | | | (1) | LRTD, SRTU, |

| | | | | | | |
|----|-------------|-------------------------------|---------|---------|-----|------------------|
| | | | | | | LRTU |
| 66 | 53114ZW4H01 | SPRING, COIL | | | (1) | LRTD, SRTU, LRTU |
| 67 | 53116ZW4H01 | ROLLER | | | (1) | LRTD, SRTU, LRTU |
| 68 | 53117ZW4H01 | SCREW (M5X14) | 1008324 | | (4) | LRTD, SRTU, LRTU |
| 68 | 53117ZW4H01 | SCREW (M5X14) | | 1008323 | (2) | LRTD, SRTU, LRTU |
| 69 | 53118ZW4H01 | GEAR, SHIFT | | | (1) | LRTD, SRTU, LRTU |
| 69 | 53118ZW4H02 | GEAR, SHIFT | 1008324 | 1009227 | (1) | LRTD, SRTU, LRTU |
| 69 | 53118ZW4H03 | GEAR, SHIFT | 1009228 | | (1) | LRTD, SRTU, LRTU |
| 70 | 53119ZW4H01 | PLATE, BALL GUIDE | | | (1) | LRTD, SRTU, LRTU |
| 70 | 53119ZW4H02 | PLATE, BALL GUIDE | 1008324 | | (1) | LRTD, SRTU, LRTU |
| 71 | 53121ZW4H01 | BRACKET | | 1008323 | (1) | LRTD, SRTU, LRTU |
| 71 | 53121ZW4H02 | BRACKET | 1008324 | | (1) | LRTD, SRTU, LRTU |
| 72 | 90102ZW4H01 | BOLT (M5X8) | | | (1) | LRTD, SRTU, LRTU |
| 73 | 90103ZW4H01 | BOLT (M8X50) | | 1008323 | (1) | LRTD, SRTU, LRTU |
| 73 | 90103ZW4H02 | BOLT (M8X50) | 1008324 | | (1) | LRTD, SRTU, LRTU |
| 74 | 90104ZW4H01 | BOLT (M5X12) | | | (6) | LRTD, SRTU, LRTU |
| 75 | 90105ZW4H01 | BOLT (M6X12) | | 1008323 | (4) | LRTD, SRTU, LRTU |
| 75 | 90105ZW4H02 | BOLT (M6X12) | 1003642 | | (4) | LRTD, SRTU, LRTU |
| 76 | 90106ZW4H01 | BOLT (M5X12) | | | (3) | LRTD, SRTU, LRTU |
| 77 | 90301ZW4H01 | NUT, HEX., 5MM | | | (1) | LRTD, SRTU, LRTU |
| 78 | 90501ZW4H01 | WASHER, 5MM | | | (1) | LRTD, SRTU, LRTU |
| 79 | 90502ZW4H01 | WASHER, 8MM | | 1008323 | (1) | LRTD, SRTU, LRTU |
| 79 | 90502ZW4H02 | WASHER, 8MM | 1008324 | | (1) | LRTD, SRTU, LRTU |
| 80 | 90503ZW4H01 | WASHER, 10MM | | | (2) | LRTD, SRTU, LRTU |
| 81 | 90504ZW4H01 | WASHER, 5MM | | | (3) | LRTD, SRTU, LRTU |
| 82 | 90651ZW4H01 | E-RING | | | (1) | LRTD, SRTU, LRTU |
| 83 | 90652ZW4H01 | E-RING | | | (2) | LRTD, SRTU, LRTU |
| 84 | 91051ZW4H01 | BEARING | | 1009227 | (1) | LRTD, SRTU, LRTU |
| 84 | 91051ZW4H02 | BEARING | 1009228 | | (1) | LRTD, SRTU, LRTU |
| 85 | 91052ZW4H01 | BEARING | | | (1) | LRTD, SRTU, LRTU |
| 86 | 53130ZW9000 | GRIP ASSY., THROTTLE FRICTION | | | (1) | LRTD, SRTU, LRTU |
| 87 | 53122ZW4H01 | ROD, GROMMET | 1009228 | | (1) | LRTD, SRTU, LRTU |
| 88 | 53123ZW4H01 | CLAMP, BRACKET | 1009228 | | (1) | LRTD, SRTU, LRTU |
| 89 | 90105ZW4H02 | BOLT (M6X12) | 1003816 | | (1) | LRTD, SRTU, LRTU |
| 90 | 24614ZW4303 | LEVER, SHIFT | 1009413 | 1010145 | (1) | LRTD, SRTU, LRTU |
| 90 | 24614ZW4H03 | LEVER, SHIFT | 1010146 | | (1) | LRTD, SRTU, LRTU |

| | | | | | | |
|----|---------------|---------------------------------|---------|---------|-----|---------------------|
| 91 | 91304HP5601 | O-RING, 20.6X1.9 | 1009413 | | (1) | LRTD, SRTU, LRTU |
| 92 | 06530ZW4305ZA | BRACKET KIT, STEERING *NH282MU* | | 1004064 | (1) | LRTD, SRTU, LRTU |
| 93 | 53232ZY9A00 | BLOCK, HEIGHT ADJUSTER | | | (1) | LRTD, SRTU, LRTU |
| 94 | 90118HW1671 | BOLT, FLANGE, 8X28 | | | (1) | LRTD, SRTU, LRTU |