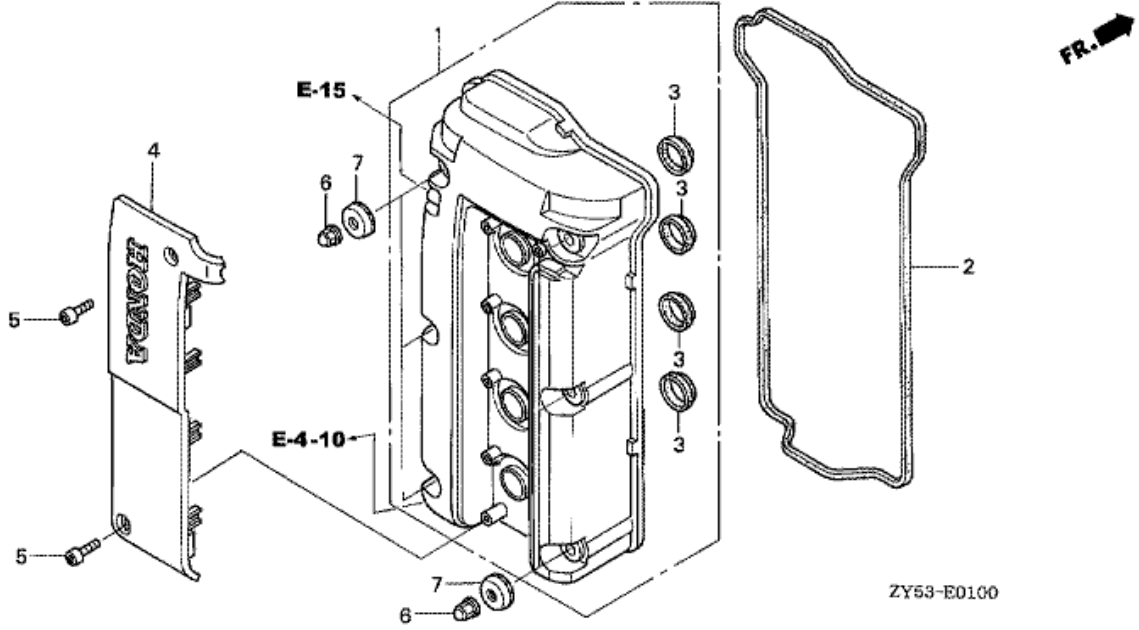
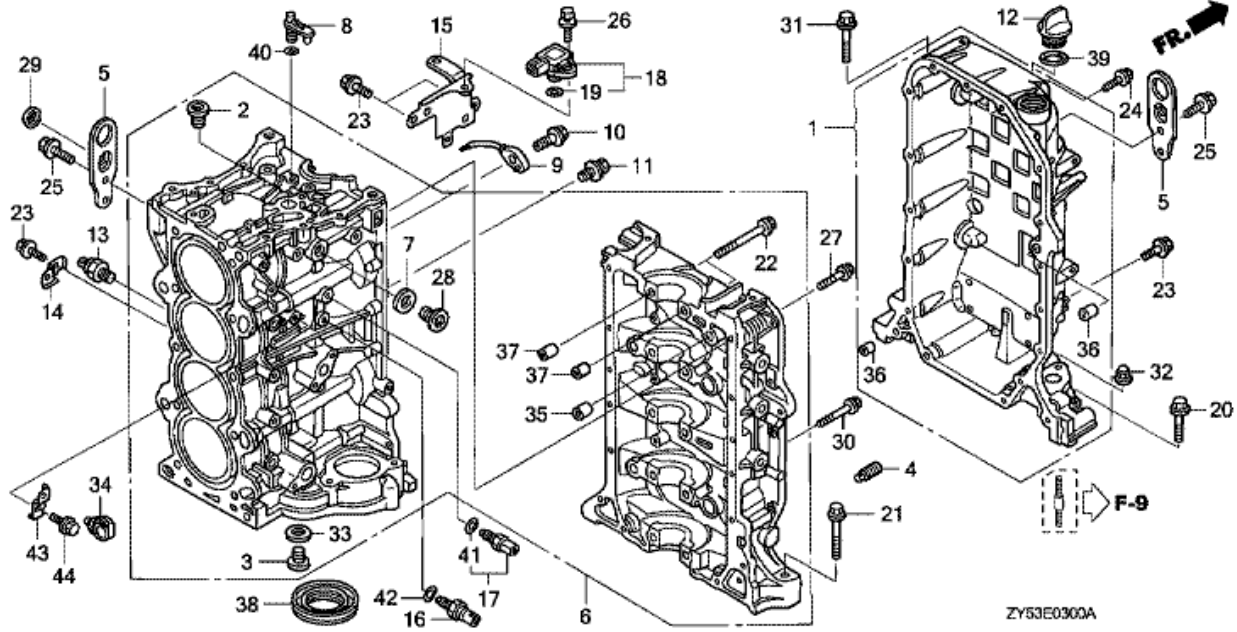


E-1 CYLINDER HEAD COVER



Refnr	Parça Numarası	Açıklama	İlk numara	Son numara	Birim Adedi	Tipler
1	12310ZY6000ZA	COVER COMP., CYLINDER HEAD *NH8 *			001	LD, LU, XU, XCD
1	12310ZY6000ZA	COVER COMP., CYLINDER HEAD *NH8 *		1008107	001	LD, LU, XU, XCD
1	12310ZY6010ZA	COVER COMP., CYLINDER HEAD *NH8*	1008108		001	LD, LU, XU, XCD
2	12341PNA000	PACKING, CYLINDER HEAD COVER			001	LD, LU, XU, XCD
3	12342PCX004	SEAL, SPARK PLUG TUBE (NOK)			004	LD, LU, XU, XCD
4	12500ZY6000	COVER COMP., PLUG HOLE COIL			001	LD, LU, XU, XCD
5	90084ZY3000	BOLT, SOCKET, 6X25			002	LD, LU, XU, XCD
6	90201ZY6000	NUT, FLANGE CAP, 6MM			006	LD, LU, XU, XCD
7	90401ZY6000	WASHER, HEAD COVER			006	LD, LU, XU, XCD

E-3 CYLINDER BLOCK

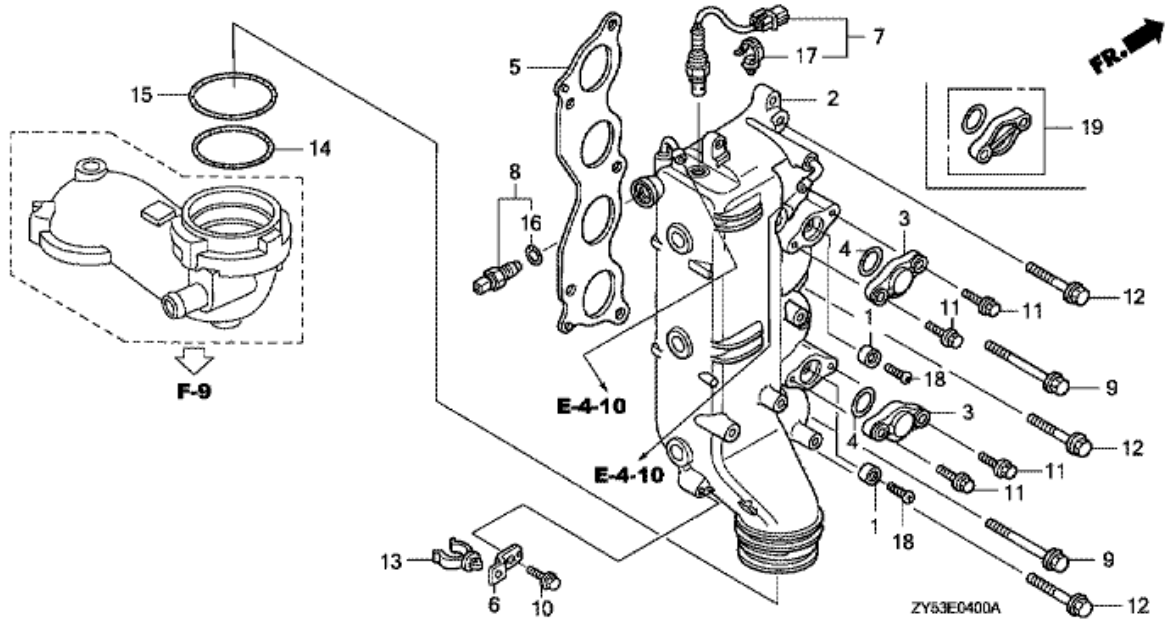


Refnr	Parça Numarası	Açıklama	İlk numara	Son numara	Birim Adedi	Tipler
1	11100ZY6000ZA	CRANKCASE COMP. *NH8 *			001	LD, XCD
1	11100ZY6405	CRANKCASE COMP.	1022380		001	LU, XU
1	11100ZY6405	CRANKCASE COMP.	1008466		001	LU, XU
1	11100ZY6405ZA	CRANKCASE COMP. *NH8 *		1022379	001	LU, XU
2	11106PNA300	BOLT, SEALING, 20MM			001	LD, LU, XU, XCD
3	11106PR4013	BOLT, SEALING, 28MM			001	LD, LU, XU, XCD
4	11135PNA000	ORIFICE, LOWER BLOCK			001	LD, LU, XU, XCD
5	11911ZY6000	HANGER, ENGINE			002	LD, LU, XU, XCD
6	12000ZY6405ZA	BLOCK ASSY., CYLINDER *NH8 *		1004350	001	LD, LU, XU, XCD
6	12000ZY6405ZA	BLOCK ASSY., CYLINDER *NH8 *		1012810	001	LD, LU, XU, XCD
6	12000ZY6415ZA	BLOCK ASSY., CYLINDER *NH8 *	1004351		001	LD, LU, XU, XCD
6	12000ZY6415ZA	BLOCK ASSY., CYLINDER *NH8 *	1012811		001	LD, LU, XU, XCD
7	12214ZV5000	WASHER, SEALING (22MM)			001	LD, LU, XU, XCD
8	15152ZY6000	ORIFICE, OIL JET			001	LD, LU, XU, XCD
9	15280PRBA00	BODY COMP., OIL JET			002	LD, LU, XU, XCD
10	15290PRA000	BOLT COMP., OIL JET			002	LD, LU, XU, XCD
11	15299ZY6000	BOLT-WASHER, 8X10			002	LD, LU, XU, XCD
12	15611921000	CAP, OIL (YELLOW)			001	LD, LU, XU, XCD
13	30530PNA003	SENSOR, KNOCK		1003485	001	LD, LU, XU, XCD
13	30530PNA003	SENSOR, KNOCK		1010953	001	LD, LU, XU, XCD
13	30530ZY6003	SENSOR ASSY., KNOCK	1010954		001	LD, LU, XU, XCD
14	32114ZW9730	BRACKET, CLIP B			001	LD, LU, XU, XCD

15	32114ZY6000	BRACKET D, HARNESS CLIP			001	LD, LU, XU, XCD
15	32114ZY6000	BRACKET D, HARNESS CLIP		1022379	001	LD, LU, XU, XCD
15	32114ZY6010	BRACKET D, HARNESS CLIP	1022380		001	LD, LU, XU, XCD
15	32114ZY6010	BRACKET D, HARNESS CLIP	1008466		001	LD, LU, XU, XCD
16	35490ZY6003	SWITCH ASSY., OIL PRESSURE		1008465	001	LD, LU, XU, XCD
16	35490ZY6003	SWITCH ASSY., OIL PRESSURE		1022379	001	LD, LU, XU, XCD
16	37260RNAA01	SENSOR, OIL PRESSURE	1022380		001	LD, LU, XU, XCD
17	35673ZY3003	SENSOR ASSY., WATER TEMPERATURE			001	LD, LU, XU, XCD
18	37830PGKA01	SENSOR ASSY., MAP			001	LD, LU, XU, XCD
18	37830PGKA01	SENSOR ASSY., MAP		1022379	001	LD, LU, XU, XCD
19	37835PGKA01	O-RING			001	LD, LU, XU, XCD
19	37835PGKA01	O-RING		1022379	001	LD, LU, XU, XCD
20	90001ZY6000	BOLT, FLANGE, 8X55			002	LD, LU, XU, XCD
21	90005ZY6000	BOLT, FLANGE, 12X83			001	LD, LU, XU, XCD
22	90006PNA003	BOLT-WASHER, 11X95			010	LD, LU, XU, XCD
23	90011ZW9000	BOLT, FLANGE, 6X14 (CT200)			007	LD, LU, XU, XCD
24	90016ZW9000	BOLT, FLANGE, 6X25			018	LD, LU, XU, XCD
25	90026ZY3000	BOLT, FLANGE, 8X20			004	LD, LU, XU, XCD
26	90029ZY3000	BOLT-WASHER, 5X18			001	LD, LU, XU, XCD
26	90029ZY3000	BOLT-WASHER, 5X18		1022379	001	LD, LU, XU, XCD
27	90054ZY3000	BOLT, FLANGE, 8X35			010	LD, LU, XU, XCD
28	90081ZV5010	BOLT, SEALING, 22MM			001	LD, LU, XU, XCD
29	90082ZY6003	CAP, BOLT, 8MM			001	LD, LU, XU, XCD
30	90156ZW4000	BOLT, FLANGE, 8X50			004	LD, LU, XU, XCD
31	90162ZW4000	BOLT, FLANGE, 10X70			001	LD, LU, XU, XCD
32	90204ZY3000	NUT, FLANGE CAP, 10MM			002	LD, LU, XU, XCD
33	90401PR4000	WASHER, SEALING, 28MM			001	LD, LU, XU, XCD
34	90691ZB7003	CLIP, HARNESS			001	LD, LU, XU, XCD
34	90691ZB7003	CLIP, HARNESS		1022379	001	LD, LU, XU, XCD
35	90703PE0000	DOWEL PIN, 18X22			001	LD, LU, XU, XCD
36	90715PC6000	DOWEL PIN, 13X20			002	LD, LU, XU, XCD
37	90715PNA000	DOWEL PIN, 13X14			010	LD, LU, XU, XCD
38	91214PNA014	OIL SEAL, 80X98X10 (ARAI)			001	LD, LU, XU, XCD
39	91301805000	O-RING, 26X2.7			001	LD, LU, XU, XCD
40	91305ZY6003	O-RING, 6.5X1.5			001	LD, LU, XU, XCD
41	91307PNA003	O-RING, 9.5X1.9			001	LD, LU, XU, XCD

						XCD
42	91319PR3003	O-RING, 13X1.5 (ARAI)			001	LD, LU, XU, XCD
43	32114ZW9730	BRACKET, CLIP B			001	LD, LU, XU, XCD
43	32114ZW9730	BRACKET, CLIP B		1022379	001	LD, LU, XU, XCD
44	90011ZW9000	BOLT, FLANGE, 6X14 (CT200)			001	LD, LU, XU, XCD
44	90011ZW9000	BOLT, FLANGE, 6X14 (CT200)		1022379	001	LD, LU, XU, XCD

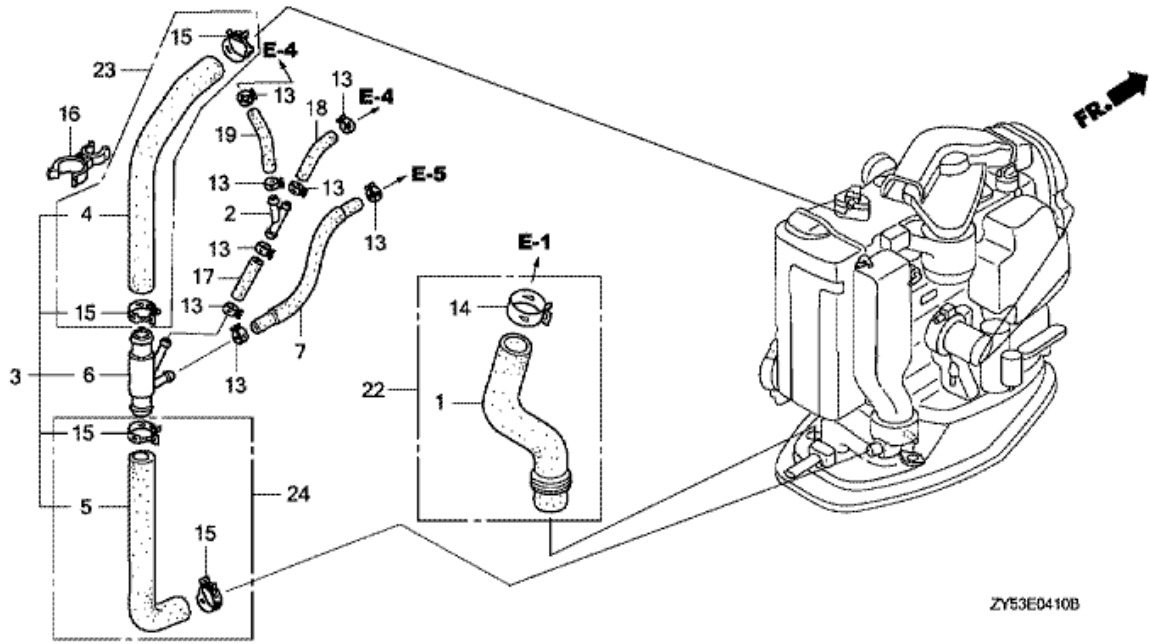
E-4 EXHAUST PIPE



Refnr	Parça Numarası	Açıklama	İlk numara	Son numara	Birim Adedi	Tipler
1	12155ZV5000	METAL, ANODE			002	LD, LU, XU, XCD
2	18110ZY6000ZA	MANIFOLD COMP., EX. *NH8 *			001	LD, XCD
2	18110ZY6415ZA	MANIFOLD COMP., EX. *NH8*			001	LU, XU
3	18112ZY6030ZA	COVER, EX. MANIFOLD *NH8*	1004619		002	LD, LU, XU, XCD
3	18112ZY6030ZA	COVER, EX. MANIFOLD *NH8*	1013210		002	LD, LU, XU, XCD
4	91305HN0A00	O-RING, 37X2.4	1004619		002	LD, LU, XU, XCD
4	91305HN0A00	O-RING, 37X2.4	1013210		002	LD, LU, XU, XCD
5	18115ZY6003	GASKET COMP., EX. MANIFOLD			001	LD, LU, XU, XCD
6	19268ZY6000	BRACKET, WATER TUBE CLAMP			001	LD, LU, XU, XCD
7	35668ZY6003	SENSOR, LAF			001	LD, LU, XU, XCD
8	35673ZY3003	SENSOR ASSY., WATER TEMPERATURE			001	LD, LU, XU, XCD
9	90013ZY6000	BOLT, FLANGE, 10X75			002	LD, LU, XU, XCD
10	90021ZY3000	BOLT, FLANGE, 6X14			001	LD, LU, XU, XCD
11	90025ZY3000	BOLT, FLANGE, 6X22		1002717	004	LD, LU, XU, XCD
11	90025ZY3000	BOLT, FLANGE, 6X22		1009290	004	LD, LU, XU, XCD
11	90030ZY3000	BOLT, FLANGE, 6X22	1009291		004	LD, LU, XU, XCD
12	90170ZW4000	BOLT, FLANGE, 10X45			003	LD, LU, XU, XCD
13	90604ZY6003	CLAMP B, WATER TUBE			001	LD, LU, XU, XCD
14	91301ZY6003	O-RING, 76.4X3.1			001	LD, LU, XU, XCD
15	91302ZY6003	O-RING, 79.8X3.1			001	LD, LU, XU, XCD
16	91307PNA003	O-RING, 9.5X1.9			001	LD, LU, XU, XCD

17	91540SV4003	CLIP, HARNESS BAND (NATURAL) (145.2MM)			001	LD, LU, XU, XCD
18	93500060184J	SCREW, PAN, 6X18			002	LD, LU, XU, XCD
19	04101ZY6020ZA	COVER KIT, EX. MANIFOLD *NH8*		1004618	002	LD, LU, XU, XCD
19	04101ZY6020ZA	COVER KIT, EX. MANIFOLD *NH8*		1013209	002	LD, LU, XU, XCD

E-4-10 WATER HOSE

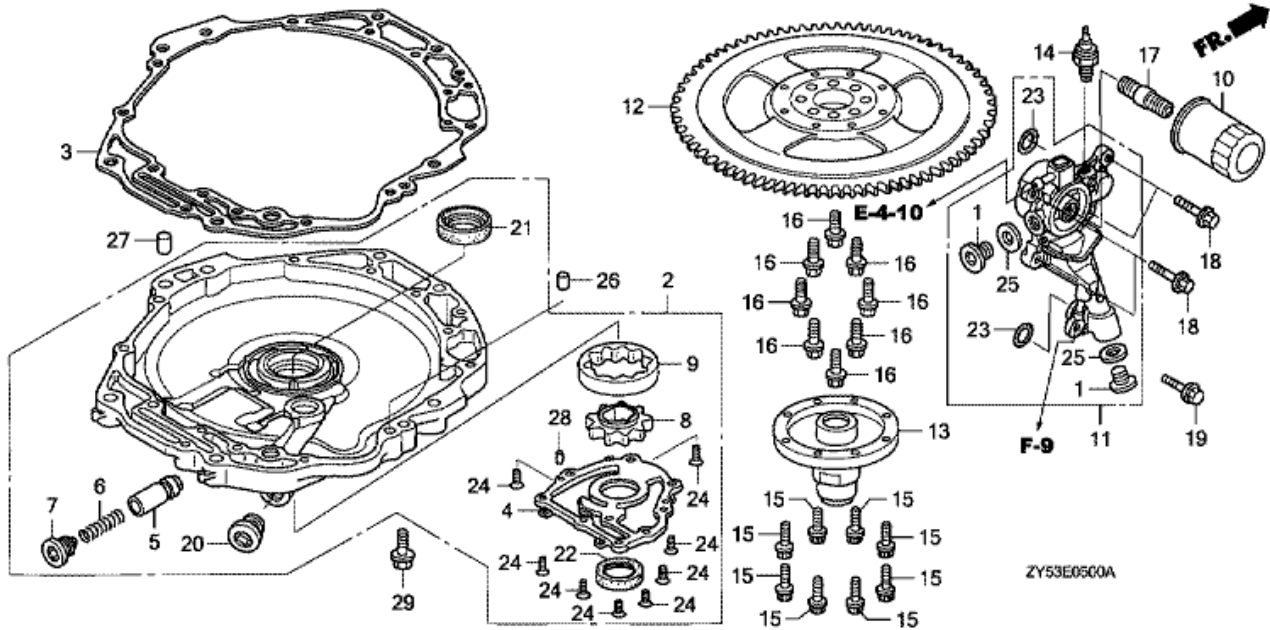


Refnr	Parça Numarası	Açıklama	İlk numara	Son numara	Birim Adedi	Tipler
1	15425ZY6010	TUBE, OIL	1006256		001	LD, LU, XU, XCD
1	15425ZY6010	TUBE, OIL	1016965		001	LD, LU, XU, XCD
2	16959MY1000	JOINT, FUEL TUBE			001	LD, LU, XU, XCD
3	19260ZY6000	TUBE COMP., WATER RELIEF			001	LD, LU, XU, XCD
3	19260ZY6000	TUBE COMP., WATER RELIEF		1016176	001	LD, LU, XU, XCD
3	19260ZY6010	TUBE COMP., WATER RELIEF	1016177	1016964	001	LD, LU, XU, XCD
3	19260ZY6010	TUBE COMP., WATER RELIEF	1005909	1006255	001	LD, LU, XU, XCD
3	19260ZY6020	TUBE COMP., WATER RELIEF	1016965		001	LD, LU, XU, XCD
4	19261ZY6010	TUBE A, WATER RELIEF	1016965		001	LD, LU, XU, XCD
4	19261ZY6010	TUBE A, WATER RELIEF	1006256		001	LD, LU, XU, XCD
5	19262ZY6010	TUBE B, WATER RELIEF	1006256		001	LD, LU, XU, XCD
5	19262ZY6010	TUBE B, WATER RELIEF	1016965		001	LD, LU, XU, XCD
6	19263ZY6000	JOINT, FOUR-WAY			001	LD, LU, XU, XCD
7	19266ZY6000	TUBE COMP. E, WATER			001	LD, LU, XU, XCD
13	90601ZY3010	CLAMP, TUBE (D10.5)		1016176	008	LD, LU, XU, XCD
13	90601ZY3010	CLAMP, TUBE (D10.5)			008	LD, LU, XU, XCD
13	90601ZY3020	CLAMP, TUBE (D10.5)	1016177	1016964	008	LD, LU, XU, XCD
13	90601ZY3030	CLAMP, TUBE (D10.5)	1016965		008	LD, LU, XU, XCD
14	90602ZY3020	CLAMP, TUBE (D32.5)	1006256		001	LD, LU, XU, XCD
14	90602ZY3020	CLAMP, TUBE (D32.5)	1016965		001	LD, LU, XU, XCD

15	90602ZY6020	CLAMP, TUBE (D25.0)	1006256		004	LD, LU, XU, XCD
15	90602ZY6020	CLAMP, TUBE (D25.0)	1016965		004	LD, LU, XU, XCD
16	90603ZY6003	CLAMP, WATER TUBE			001	LD, LU, XU, XCD
17	950057007530	TUBE, 7X75 (95005-70001-30M)			001	LD, LU, XU, XCD
18	950057009030	TUBE, 7X90 (95005-70001-30M)			001	LD, LU, XU, XCD
19	950057012030	TUBE, 7X120 (95005-70001-30M)			001	LD, LU, XU, XCD
22	06154ZY6000	TUBE SET, OIL		1016964	001	LD, LU, XU, XCD
22	06154ZY6000	TUBE SET, OIL			001	LD, LU, XU, XCD
23	06194ZY6000	TUBE SET A, WATER RELIEF			001	LD, LU, XU, XCD
23	06194ZY6000	TUBE SET A, WATER RELIEF		1016964	001	LD, LU, XU, XCD
24	06195ZY6000	TUBE SET B, WATER RELIEF			001	LD, LU, XU, XCD
24	06195ZY6000	TUBE SET B, WATER RELIEF		1016964	001	LD, LU, XU, XCD



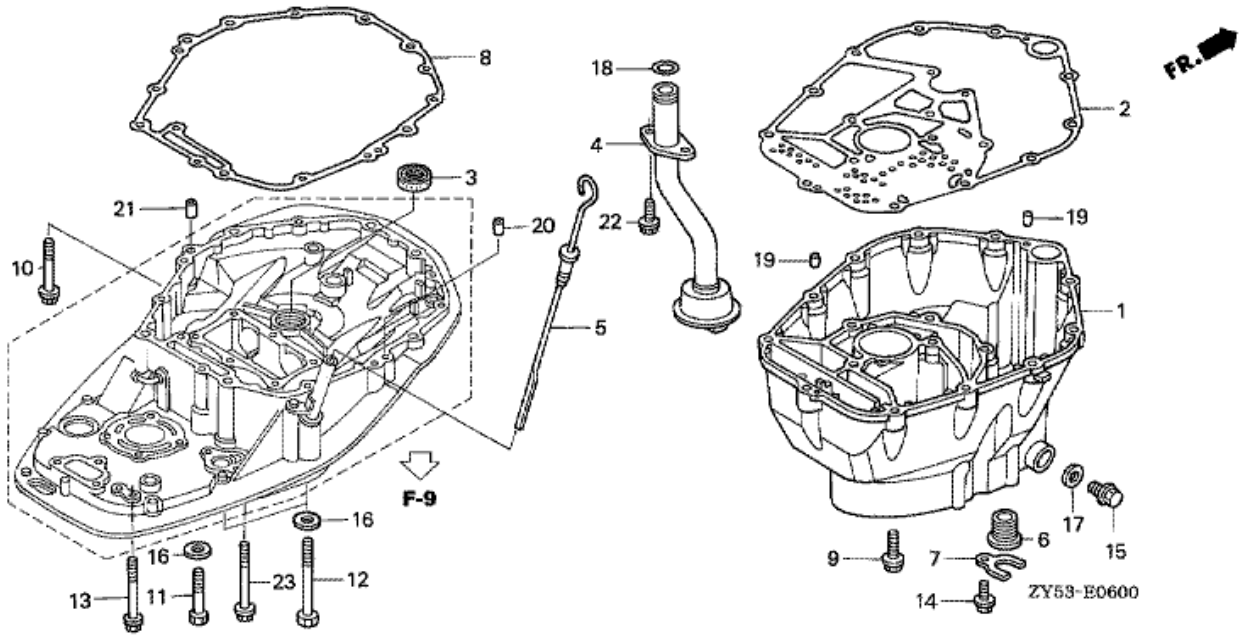
E-5 OIL PUMP/FLYWHEEL



Refnr	Parça Numarası	Açıklama	İlk numara	Son numara	Birim Adedi	Tipler
1	12217ZW1010	BOLT, SEALING, 20MM			002	LD, LU, XU, XCD
2	15100ZY6000ZA	PUMP ASSY., OIL *NH8 *			001	LD, LU, XU, XCD
3	15112ZY6000	PACKING, OIL PUMP BODY			001	LD, LU, XU, XCD
4	15121ZY6000	COVER, OIL PUMP			001	LD, LU, XU, XCD
5	15231PE0000	VALVE, RELIEF			001	LD, LU, XU, XCD
6	15232PG6000	SPRING, RELIEF VALVE			001	LD, LU, XU, XCD
7	15233PC6000	BOLT, SEALING, 18MM			001	LD, LU, XU, XCD
8	15331ZW5003	ROTOR, INNER OIL PUMP			001	LD, LU, XU, XCD
9	15341ZW5003	ROTOR, OUTER OIL PUMP			001	LD, LU, XU, XCD
10	15400PLC004	CARTRIDGE, OIL FILTER (TOYO ROKI)		1010960	001	LD, LU, XU, XCD
10	15400PLC004	CARTRIDGE, OIL FILTER (TOYO ROKI)		1003485	001	LD, LU, XU, XCD
10	15400RTA004	CARTRIDGE, OIL FILTER (TOYO ROKI)	1010961		001	LD, LU, XU, XCD
10	15400RTA004	CARTRIDGE, OIL FILTER (TOYO ROKI)			001	LD, LU, XU, XCD
11	15410ZY6000ZA	FLANGE COMP., OIL FILTER *NH8 *			001	LD, LU, XU, XCD
11	15410ZY6000ZA	FLANGE COMP., OIL FILTER *NH8 *		1022379	001	LD, LU, XU, XCD
11	15410ZY6010ZA	FLANGE COMP., OIL FILTER *NH8*	1022380		001	LD, LU, XU, XCD
12	31110ZY6000ZA	FLYWHEEL COMP. *TBLACK *			001	LD, LU, XU, XCD
13	31116ZY3000	BOSS, FLYWHEEL			001	LD, LU, XU, XCD
14	35490ZW9003	SWITCH ASSY., OIL PRESSURE		1022379	001	LD, LU, XU, XCD
14	35490ZW9003	SWITCH ASSY., OIL PRESSURE			001	LD, LU, XU, XCD

15	90002ZW5013	BOLT, SPECIAL, 8MM				008	LD, LU, XU, XCD
16	90011PH3000	BOLT, FLANGE, 12MM				008	LD, LU, XU, XCD
17	90015PH1013	HOLDER, OIL FILTER				001	LD, LU, XU, XCD
18	90016ZW9000	BOLT, FLANGE, 6X25				004	LD, LU, XU, XCD
19	90018ZW5000	BOLT, FLANGE, 6X20				001	LD, LU, XU, XCD
20	90081ZV5010	BOLT, SEALING, 22MM				002	LD, LU, XU, XCD
21	91201ZW5003	OIL SEAL, 46X60X9				001	LD, LU, XU, XCD
22	91212P01003	OIL SEAL, 31X46X7 (NOK)				001	LD, LU, XU, XCD
23	91360VD6003	O-RING, 22.5X2.4				002	LD, LU, XU, XCD
24	93600060160A	SCREW, FLAT, 6X16				009	LD, LU, XU, XCD
25	9410920000	WASHER, DRAIN PLUG, 20MM				002	LD, LU, XU, XCD
26	9430110160	DOWEL PIN, 10X16				001	LD, LU, XU, XCD
27	9430114200	DOWEL PIN, 14X20				001	LD, LU, XU, XCD
28	9430305080	DOWEL PIN, 5X8		1002491		002	LD, LU, XU, XCD
28	9430305080	DOWEL PIN, 5X8		1008968		002	LD, LU, XU, XCD
28	9622050080	ROLLER, 5X8	1008969			002	LD, LU, XU, XCD
29	957010803208	BOLT, FLANGE, 8X32				005	LD, LU, XU, XCD

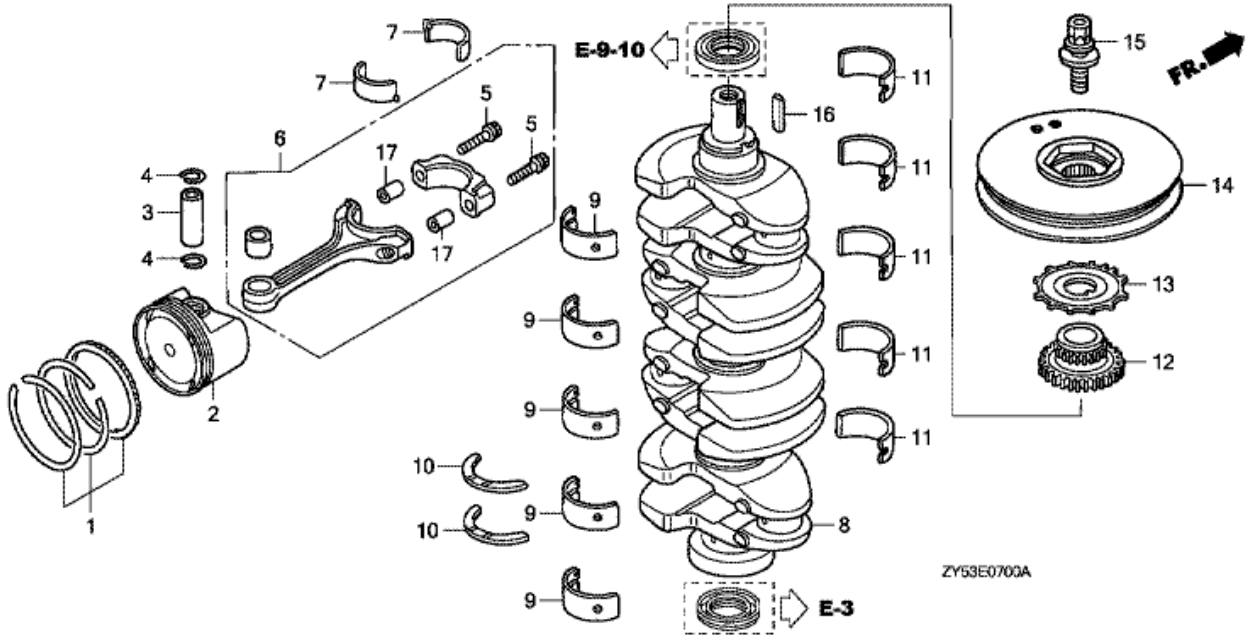
E-6 OIL PAN



Refnr	Parça Numarası	Açıklama	İlk numara	Son numara	Birim Adedi	Tipler
1	11321ZY6000ZA	CASE, OIL *NH8 *			001	LD, XCD
1	11321ZY6000ZB	CASE, OIL *TGRAY *		1005838	001	LU, XU
1	11321ZY6000ZB	CASE, OIL *TGRAY *		1016037	001	LU, XU
1	11321ZY6010ZB	CASE, OIL *TGRAY *	1005839		001	LU, XU
1	11321ZY6010ZB	CASE, OIL *TGRAY *	1016038		001	LU, XU
2	11381ZY6000	PACKING, OIL PAN			001	LD, LU, XU, XCD
2	11381ZY6000	PACKING, OIL PAN		1021096	001	LD, LU, XU, XCD
2	11381ZY6010	PACKING, OIL PAN	1021097		001	LD, LU, XU, XCD
3	15113ZW5000	RUBBER, OIL PUMP			001	LD, LU, XU, XCD
4	15220ZY6000	STRAINER COMP., OIL		1001589	001	LD, XCD
4	15220ZY6000	STRAINER COMP., OIL		1005538	001	LD, XCD
4	15220ZY6010	STRAINER COMP., OIL	1005539		001	LD, LU, XU, XCD
4	15220ZY6010	STRAINER COMP., OIL			001	LU, XU
5	15655ZY6000	GAUGE COMP., OIL LEVEL			001	LD, LU, XU, XCD
6	19252ZW1000	GROMMET, WATER TUBE			001	LD, LU, XU, XCD
7	19254ZY6000	PLATE, WATER TUBE			001	LD, LU, XU, XCD
8	23172ZY6000	GASKET, MOUNT CASE			001	LD, LU, XU, XCD
9	90002ZY6000	BOLT, FLANGE, 10X40			016	LD, LU, XU, XCD
10	90017ZY6000	BOLT, FLANGE, 10X80			001	LD, LU, XU, XCD
11	90018ZY6000	BOLT, HEX., 12X70			001	LD, LU, XU, XCD
12	90019ZY6000	BOLT, HEX., 12X130			002	LD, LU, XU, XCD
13	90046ZY3000	BOLT, FLANGE, 8X100			001	LD, LU, XU, XCD
14	90102ZW9000	BOLT, FLANGE, 6X12			001	LD, LU, XU, XCD
15	90131ZV5000	BOLT, DRAIN PLUG			001	LD, LU, XU,

						XCD
16	90559ZV5000	WASHER, PLAIN, 12MM			003	LD, LU, XU, XCD
17	90601ZE2000	WASHER, DRAIN PLUG, 12MM			001	LD, LU, XU, XCD
18	91324PC6000	O-RING, 20.6X2.6			001	LD, LU, XU, XCD
19	9430106100	DOWEL PIN, 6X10			002	LD, LU, XU, XCD
20	9430110160	DOWEL PIN, 10X16			001	LD, LU, XU, XCD
21	9430114200	DOWEL PIN, 14X20			001	LD, LU, XU, XCD
22	957010601809	BOLT, FLANGE, 6X18			002	LD, LU, XU, XCD
23	957011011009	BOLT, FLANGE, 10X110			002	LD, LU, XU, XCD

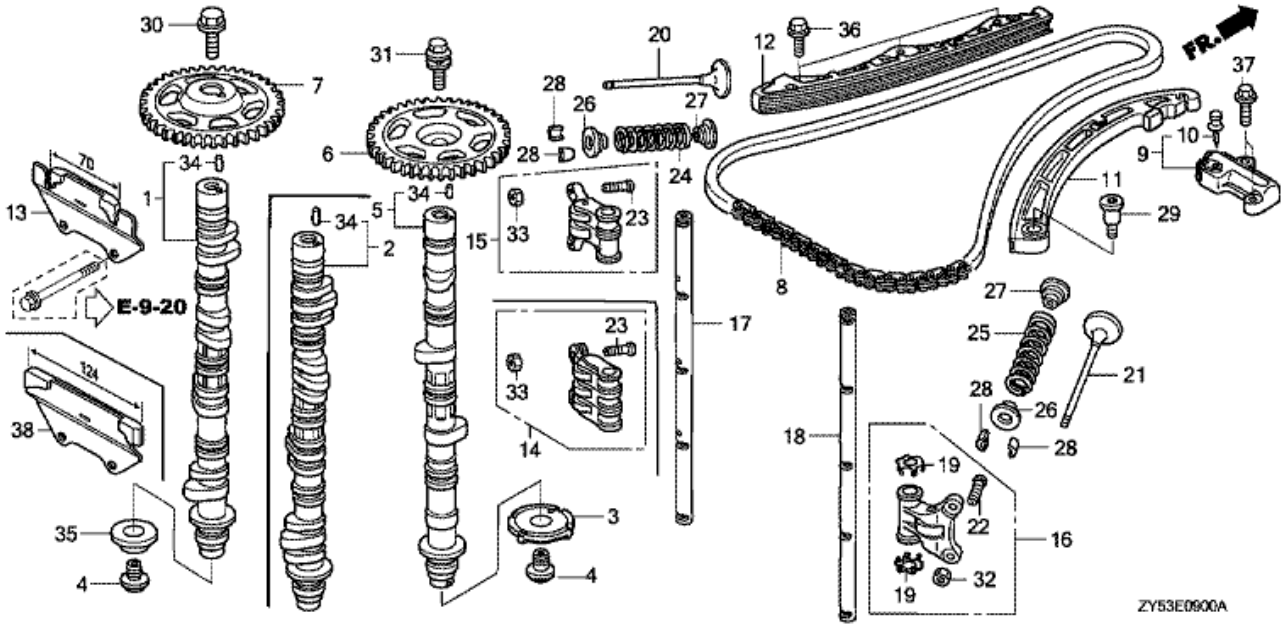
E-7 CRANKSHAFT/PISTON



Refnr	Parça Numarası	Açıklama	İlk numara	Son numara	Birim Adedi	Tipler
1	13010ZY6000	RING SET, PISTON (STD.)			004	LD, LU, XU, XCD
2	13101ZY6000	PISTON A			004	LD, LU, XU, XCD
2	13102ZY6000	PISTON B			004	LD, LU, XU, XCD
3	13111PNA000	PIN, PISTON		1008575	004	LD, LU, XU, XCD
3	13111PNA000	PIN, PISTON		1001155	004	LD, LU, XU, XCD
3	13111PNA010	PIN, PISTON	1008576		004	LD, LU, XU, XCD
4	13115P5A000	CLIP, PISTON PIN			008	LD, LU, XU, XCD
5	13204P8AA01	BOLT, CONNECTING ROD			008	LD, LU, XU, XCD
6	13210PPA000	ROD COMP., CONNECTING			004	LD, LU, XU, XCD
7	13211ZY6004	BEARING A, CONNECTING ROD (BLUE)			008	LD, LU, XU, XCD
7	13212ZY6004	BEARING B, CONNECTING ROD (BLACK)			008	LD, LU, XU, XCD
7	13213ZY6004	BEARING C, CONNECTING ROD (BROWN)			008	LD, LU, XU, XCD
7	13214ZY6004	BEARING D, CONNECTING ROD (GREEN)			008	LD, LU, XU, XCD
7	13215ZY6004	BEARING E, CONNECTING ROD (YELLOW)			008	LD, LU, XU, XCD
7	13216ZY6004	BEARING F, CONNECTING ROD (PINK)			008	LD, LU, XU, XCD
8	13310PPA000	CRANKSHAFT COMP.			001	LD, LU, XU, XCD
9	13321PNA003	BEARING A, MAIN UPPER (BLUE) (DAIDO)			005	LD, LU, XU, XCD
9	13322PNA003	BEARING B, MAIN UPPER (BLACK) (DAIDO)			005	LD, LU, XU, XCD
9	13323PNA003	BEARING C, MAIN UPPER (BROWN) (DAIDO)			005	LD, LU, XU, XCD
9	13324PNA003	BEARING D, MAIN UPPER (GREEN) (DAIDO)			005	LD, LU, XU, XCD

9	13325PNA003	BEARING E, MAIN UPPER (YELLOW) (DAIDO)			005	LD, LU, XU, XCD
9	13326PNA003	BEARING F, MAIN UPPER (PINK) (DAIDO)			005	LD, LU, XU, XCD
10	13331ZY6003	WASHER, THRUST (TAIHO)			002	LD, LU, XU, XCD
11	13341PNA003	BEARING A, MAIN LOWER (BLUE) (DAIDO)			005	LD, LU, XU, XCD
11	13342PNA003	BEARING B, MAIN LOWER (BLACK) (DAIDO)			005	LD, LU, XU, XCD
11	13343PNA003	BEARING C, MAIN LOWER (BROWN) (DAIDO)			005	LD, LU, XU, XCD
11	13344PNA003	BEARING D, MAIN LOWER (GREEN) (DAIDO)			005	LD, LU, XU, XCD
11	13345PNA003	BEARING E, MAIN LOWER (YELLOW) (DAIDO)			005	LD, LU, XU, XCD
11	13346PNA003	BEARING F, MAIN LOWER (PINK) (DAIDO)			005	LD, LU, XU, XCD
12	13620RAAA02	SPROCKET COMP., CHAIN DRIVE			001	LD, LU, XU, XCD
13	13622PNA003	PLATE, CRANK PULSER			001	LD, LU, XU, XCD
14	13811ZY6000	PULLEY, CRANKSHAFT			001	LD, LU, XU, XCD
15	90017PCX003	BOLT-WASHER, 16X49		1016204	001	LD, LU, XU, XCD
15	90017PCX003	BOLT-WASHER, 16X49		1005908	001	LD, LU, XU, XCD
15	90017PCX013	BOLT-WASHER, 16X49	1016205		001	LD, LU, XU, XCD
16	90704PNA000	KEY, 4.5X21			001	LD, LU, XU, XCD
17	9430110120	DOWEL PIN, 10X12			008	LD, LU, XU, XCD

E-9 CAMSHAFT/VALVE

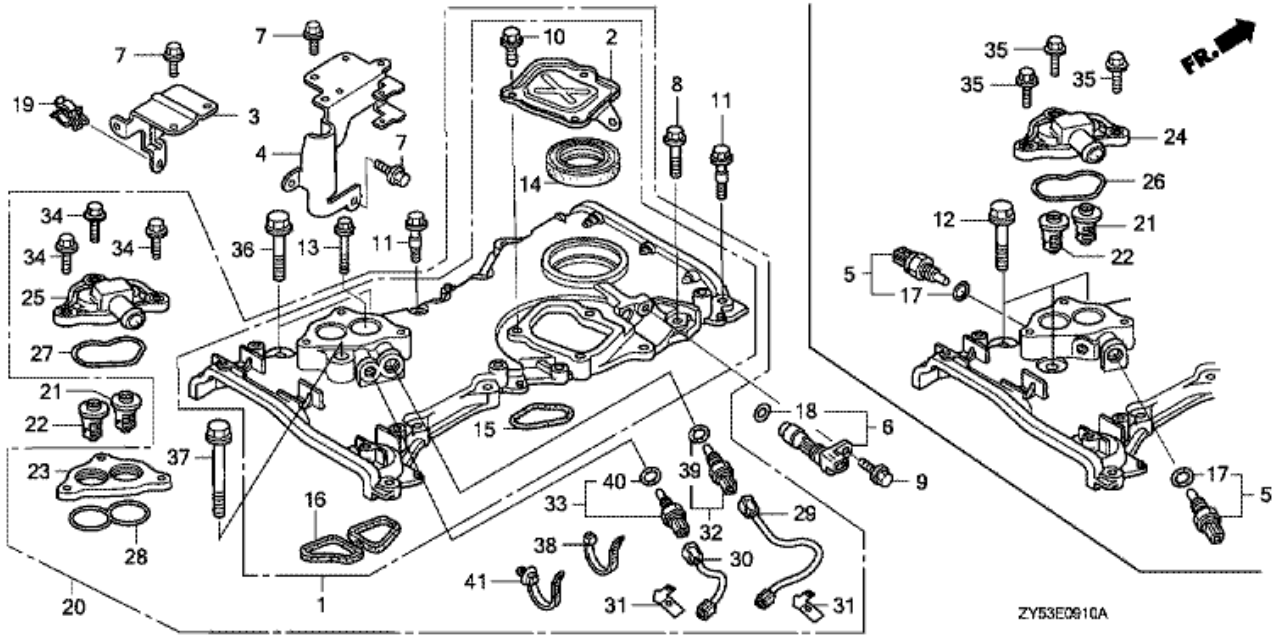


Refnr	Parça Numarası	Açıklama	İlk numara	Son numara	Birim Adedi	Tipler
2	14110ZY6000	CAMSHAFT COMP., IN.			001	LD, LU, XU, XCD
3	14114PNA003	PLATE, TDC PULSE			001	LD, LU, XU, XCD
4	14115PNA000	BOLT, SEALING, 14MM			002	LD, LU, XU, XCD
5	14120ZY6000	CAMSHAFT COMP., EX.			001	LD, LU, XU, XCD
6	14210PNA000	SPROCKET, CAM CHAIN DRIVEN (46T)			001	LD, LU, XU, XCD
7	14311ZY6000	SPROCKET, CAM CHAIN DRIVEN IN.			001	LD, LU, XU, XCD
8	14401PPA004	CHAIN (176L) (BORG WARNER)			001	LD, LU, XU, XCD
9	14510PNA003	TENSIONER ASSY., CAM CHAIN		1002491	001	LD, LU, XU, XCD
9	14510PNA003	TENSIONER ASSY., CAM CHAIN		1008980	001	LD, LU, XU, XCD
9	14510ZY6003	TENSIONER ASSY., CAM CHAIN	1008981		001	LD, LU, XU, XCD
10	14511PNA003	STOPPER (TOOL)			(1)	LD, LU, XU, XCD
11	14520PPA003	ARM COMP., CAM CHAIN TENSIONER			001	LD, LU, XU, XCD
12	14530PPA003	GUIDE COMP., CAM CHAIN			001	LD, LU, XU, XCD
13	14540PRBA01	GUIDE COMP. B, CAM CHAIN			001	LD, LU, XU, XCD
13	14540PRBA01	GUIDE COMP. B, CAM CHAIN		1008107	001	LD, LU, XU, XCD
14	14620PNA020	ARM ASSY., ROCKER		1005501	004	LD, XCD
14	14620PNA030	ARM ASSY., ROCKER		1008968	004	LD, LU, XU, XCD
14	14620PNA030	ARM ASSY., ROCKER	1005502	1008968	004	LD, XCD
14	14620PNA040	ARM ASSY., ROCKER	1008969		004	LD, LU, XU, XCD
16	14624RAAA00	ARM ASSY., EX. ROCKER			004	LD, LU, XU, XCD
17	14631PNA000	SHAFT, ROCKER			001	LD, LU, XU, XCD

18	14633PNA000	SHAFT, EX. ROCKER			001	LD, LU, XU, XCD
18	14633PNA000	SHAFT, EX. ROCKER		1018515	001	LD, LU, XU, XCD
18	14633R40A00	SHAFT, EX. ROCKER	1018516		001	LD, LU, XU, XCD
19	14647RAAA00	WASHER, THRUST			008	LD, LU, XU, XCD
20	14711PNA000	VALVE, IN.			008	LD, LU, XU, XCD
21	14721PRBA00	VALVE, EX.			008	LD, LU, XU, XCD
22	14744PNA004	SCREW, TAPPET ADJUSTING			008	LD, LU, XU, XCD
23	14744PCX014	SCREW, TAPPET ADJUSTING	1008969		008	LD, LU, XU, XCD
23	14744PT0004	SCREW, TAPPET ADJUSTING		1008968	008	LD, LU, XU, XCD
23	14744PT0004	SCREW, TAPPET ADJUSTING			008	LD, LU, XU, XCD
24	14751ZY6003	SPRING, IN. VALVE (PINK) (NIPPON HATSUJO)			008	LD, LU, XU, XCD
25	14762PNA003	SPRING, EX. VALVE (GRAY) (NIPPON HATSUJO)			008	LD, LU, XU, XCD
26	14765PNA000	RETAINER, VALVE SPRING		1002026	016	LD, LU, XU, XCD
26	14765PNA000	RETAINER, VALVE SPRING		1007668	016	LD, LU, XU, XCD
26	14765RAAA00	RETAINER, VALVE SPRING	1007669		016	LD, LU, XU, XCD
27	14775PT0000	SEAT, VALVE SPRING			016	LD, LU, XU, XCD
28	14781PR7A01	COTTER, VALVE		1002026	032	LD, LU, XU, XCD
28	14781PR7A01	COTTER, VALVE		1007668	032	LD, LU, XU, XCD
28	14781PRBA02	COTTER, VALVE (SERVICE)	1007669		032	LD, LU, XU, XCD
29	90003PNA000	BOLT, TENSIONER PIVOT			001	LD, LU, XU, XCD
30	90032PNA000	BOLT, FLANGE, 12X47			001	LD, LU, XU, XCD
31	90042PNA003	BOLT, FLANGE, 10X32			001	LD, LU, XU, XCD
32	90206PM3004	NUT, TAPPET ADJUSTING (TOKAI TRW)			008	LD, LU, XU, XCD
33	90206PT0004	NUT, TAPPET ADJUSTING			008	LD, LU, XU, XCD
34	90703PNA300	DOWEL PIN, 4.2X10.3			002	LD, LU, XU, XCD
35	91502ZY6003	COLLAR, CAMSHAFT			001	LD, LU, XU, XCD
36	957010602008	BOLT, FLANGE, 6X20			003	LD, LU, XU, XCD
37	957010603008	BOLT, FLANGE, 6X30			002	LD, LU, XU, XCD
38	14540RWCA02	GUIDE COMP. B, CAM CHAIN	1002740		001	LD, LU, XU, XCD
38	14540RWCA02	GUIDE COMP. B, CAM CHAIN	1008108		001	LD, LU, XU, XCD



E-9-10 CHAIN CASE/THERMOSTAT

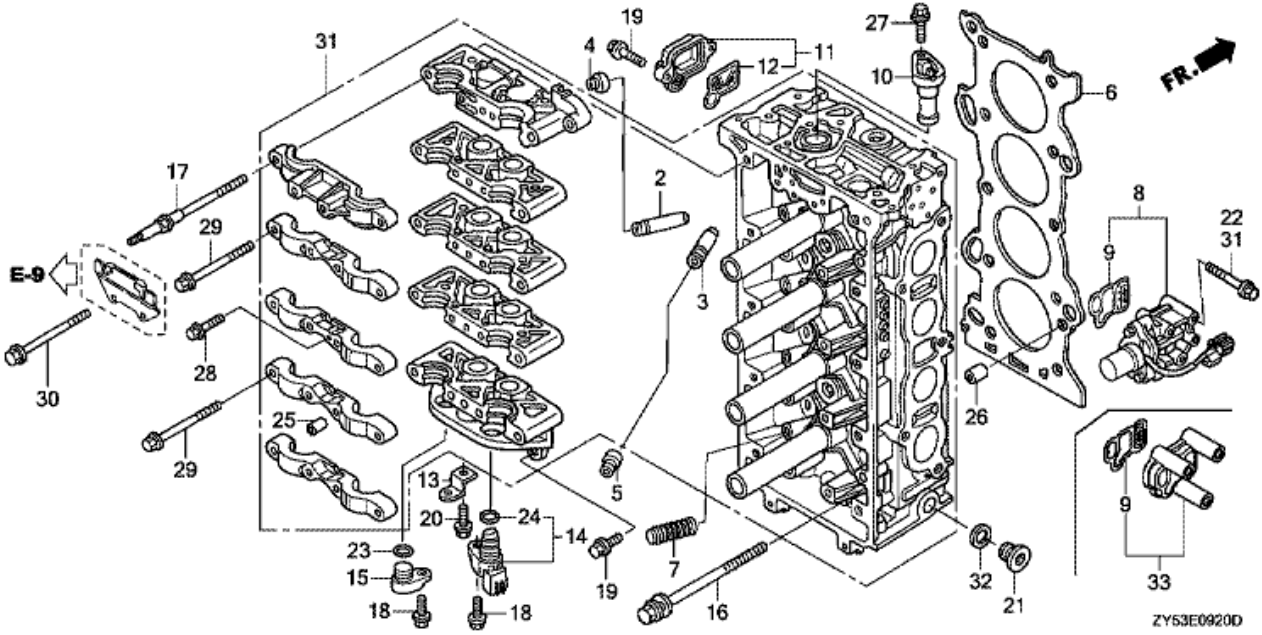


Refnr	Parça Numarası	Açıklama	İlk numara	Son numara	Birim Adedi	Tipler
1	11410ZY6425ZA	CASE ASSY., CHAIN *NH8*	1006484		001	LD, LU, XU, XCD
1	11410ZY6425ZA	CASE ASSY., CHAIN *NH8*	1017324		001	LD, LU, XU, XCD
2	11412ZY6000	COVER, CHAIN CASE			001	LD, LU, XU, XCD
3	32112ZY6000	BRACKET B, HARNESS CLIP			001	LD, LU, XU, XCD
4	32113ZY6000	BRACKET C, HARNESS CLIP			001	LD, LU, XU, XCD
5	35673ZY3003	SENSOR ASSY., WATER TEMPERATURE			002	LD, LU, XU, XCD
5	35673ZY3003	SENSOR ASSY., WATER TEMPERATURE		1017323	002	LD, LU, XU, XCD
6	37500PNB003	SENSOR ASSY., CRANK			001	LD, LU, XU, XCD
7	90011ZW9000	BOLT, FLANGE, 6X14 (CT200)			005	LD, LU, XU, XCD
8	90016ZY3000	BOLT, FLANGE, 6X28			010	LD, LU, XU, XCD
9	90017ZY3000	BOLT, FLANGE, 6X16			001	LD, LU, XU, XCD
10	90021ZY3000	BOLT, FLANGE, 6X14			003	LD, LU, XU, XCD
11	90023ZY6000	BOLT, SPECIAL, 6X31			002	LD, LU, XU, XCD
12	90040ZY3000	BOLT, FLANGE, 10X43			003	LD, LU, XU, XCD
12	90040ZY3000	BOLT, FLANGE, 10X43		1017323	003	LD, LU, XU, XCD
13	90059ZY6000	BOLT, FLANGE, 6X38			001	LD, LU, XU, XCD
14	91212PNC004	OIL SEAL, 43X58X7 (ARAI)			001	LD, LU, XU, XCD
15	91302PNA004	O-RING, CHAIN CASE			001	LD, LU, XU, XCD
16	91304ZY6000	PACKING, CHAIN CASE			001	LD, LU, XU, XCD
16	91304ZY6000	PACKING, CHAIN CASE		1017323	001	LD, LU, XU, XCD

16	91304ZY6010	PACKING, CHAIN CASE	1017324		001	LD, LU, XU, XCD
17	91307PNA003	O-RING, 9.5X1.9			002	LD, LU, XU, XCD
17	91307PNA003	O-RING, 9.5X1.9		1017323	002	LD, LU, XU, XCD
18	91333PNA003	O-RING, 15X1.9			001	LD, LU, XU, XCD
19	91546SP0A01	CLAMP, 18.5MM			001	LD, LU, XU, XCD
20	04103ZY6000ZA	CASE KIT, CHAIN *NH8*		1012810	001	LD, LU, XU, XCD
20	04103ZY6000ZA	CASE KIT, CHAIN *NH8*		1004350	001	LD, LU, XU, XCD
20	04104ZY6000ZA	CASE KIT, CHAIN *NH8*	1012811	1017323	001	LD, LU, XU, XCD
21	19300ZY3023	THERMOSTAT ASSY.			001	LD, LU, XU, XCD
22	19300ZY6003	THERMOSTAT ASSY.			001	LD, LU, XU, XCD
23	19313ZY6000ZA	SPACER, THERMOSTAT COVER *NH8*	1006484	1008465	001	LD, LU, XU, XCD
23	19313ZY6000ZA	SPACER, THERMOSTAT COVER *NH8*	1017324	1022379	001	LD, LU, XU, XCD
23	19313ZY6000ZA	SPACER, THERMOSTAT COVER *NH8*		1017323	(1)	LD, LU, XU, XCD
23	19313ZY6000ZB	SPACER, THERMOSTAT COVER *TGRAY*	1022380		001	LD, LU, XU, XCD
24	19315ZY6000	COVER, THERMOSTAT			001	LD, LU, XU, XCD
24	19315ZY6000	COVER, THERMOSTAT		1017323	001	LD, LU, XU, XCD
25	19315ZY6010	COVER, THERMOSTAT	1017324		001	LD, LU, XU, XCD
25	19315ZY6010	COVER, THERMOSTAT		1017323	(1)	LD, LU, XU, XCD
25	19315ZY6010	COVER, THERMOSTAT	1006484		001	LD, LU, XU, XCD
26	19318ZY6000	PACKING, THERMOSTAT COVER			001	LD, LU, XU, XCD
26	19318ZY6000	PACKING, THERMOSTAT COVER		1017323	001	LD, LU, XU, XCD
27	19318ZY6010	PACKING, THERMOSTAT COVER	1006484		001	LD, LU, XU, XCD
27	19318ZY6010	PACKING, THERMOSTAT COVER		1017323	(1)	LD, LU, XU, XCD
27	19318ZY6010	PACKING, THERMOSTAT COVER	1017324		001	LD, LU, XU, XCD
28	19319ZY6000	PACKING, THERMOSTAT SPACER	1006484		001	LD, LU, XU, XCD
28	19319ZY6000	PACKING, THERMOSTAT SPACER		1017323	(1)	LD, LU, XU, XCD
28	19319ZY6000	PACKING, THERMOSTAT SPACER	1017324		001	LD, LU, XU, XCD
29	32105ZY6305	HARNESS ASSY., SUB WIRE (A)			(1)	LD, LU, XU, XCD
29	32105ZY6305	HARNESS ASSY., SUB WIRE (A)		1017323	(1)	LD, LU, XU, XCD
30	32106ZY6305	HARNESS ASSY., SUB WIRE (B)			(1)	LD, LU, XU, XCD
30	32106ZY6305	HARNESS ASSY., SUB WIRE (B)		1017323	(1)	LD, LU, XU, XCD
31	32107ZY6305	BRACKET, SUB HARNESS CLIP			(2)	LD, LU, XU, XCD
31	32107ZY6305	BRACKET, SUB HARNESS CLIP		1017323	(2)	LD, LU, XU, XCD
32	35673ZW5003	SENSOR ASSY., WATER TEMPERATURE	1006484		001	LD, LU, XU, XCD
32	35673ZW5003	SENSOR ASSY., WATER TEMPERATURE	1017324		001	LD, LU, XU, XCD
32	35673ZW5003	SENSOR ASSY., WATER TEMPERATURE		1017323	(1)	LD, LU, XU, XCD

						XCD
33	35673ZY3003	SENSOR ASSY., WATER TEMPERATURE	1017324		001	LD, LU, XU, XCD
33	35673ZY3003	SENSOR ASSY., WATER TEMPERATURE		1017323	(1)	LD, LU, XU, XCD
33	35673ZY3003	SENSOR ASSY., WATER TEMPERATURE	1006484		001	LD, LU, XU, XCD
34	90016ZY3000	BOLT, FLANGE, 6X28	1006484		003	LD, LU, XU, XCD
34	90016ZY3000	BOLT, FLANGE, 6X28	1017324		003	LD, LU, XU, XCD
34	90016ZY3000	BOLT, FLANGE, 6X28		1017323	(3)	LD, LU, XU, XCD
35	90025ZY3000	BOLT, FLANGE, 6X22		1002717	003	LD, LU, XU, XCD
35	90025ZY3000	BOLT, FLANGE, 6X22		1009290	003	LD, LU, XU, XCD
35	90030ZY3000	BOLT, FLANGE, 6X22	1009291	1017323	003	LD, LU, XU, XCD
36	90040ZY3000	BOLT, FLANGE, 10X43	1017324		002	LD, LU, XU, XCD
36	90040ZY3000	BOLT, FLANGE, 10X43	1006484		002	LD, LU, XU, XCD
37	90162ZW4000	BOLT, FLANGE, 10X70	1017324		001	LD, LU, XU, XCD
37	90162ZW4000	BOLT, FLANGE, 10X70		1017323	(1)	LD, LU, XU, XCD
37	90162ZW4000	BOLT, FLANGE, 10X70	1006484		001	LD, LU, XU, XCD
38	90652ZY9003	BAND, WIRE HARNESS			(1)	LD, LU, XU, XCD
38	90652ZY9003	BAND, WIRE HARNESS		1017323	(1)	LD, LU, XU, XCD
39	91307PK2005	O-RING, 9.5X1.5 (HONDA KIKAKI)	1017324		001	LD, LU, XU, XCD
39	91307PK2005	O-RING, 9.5X1.5 (HONDA KIKAKI)		1017323	(1)	LD, LU, XU, XCD
39	91307PK2005	O-RING, 9.5X1.5 (HONDA KIKAKI)	1006484		001	LD, LU, XU, XCD
40	91307PNA003	O-RING, 9.5X1.9	1006484		001	LD, LU, XU, XCD
40	91307PNA003	O-RING, 9.5X1.9	1017324		001	LD, LU, XU, XCD
40	91307PNA003	O-RING, 9.5X1.9		1017323	(1)	LD, LU, XU, XCD
41	91541S0A003	CLIP, HARNESS BAND (BLACK) (145MM)			(1)	LD, LU, XU, XCD
41	91541S0A003	CLIP, HARNESS BAND (BLACK) (145MM)		1017323	(1)	LD, LU, XU, XCD

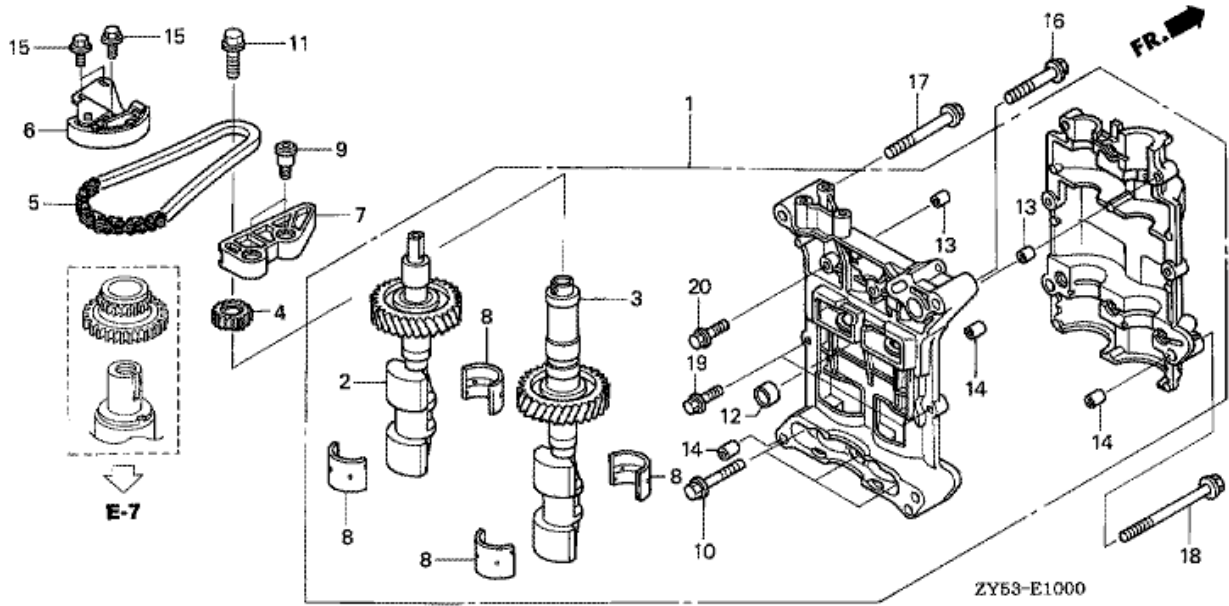
E-9-20 CYLINDER HEAD



Refnr	Parça Numarası	Açıklama	İlk numara	Son numara	Birim Adedi	Tipler
1	12200ZY6000ZA	HEAD ASSY., CYLINDER *NH8 *			001	LD, LU, XU, XCD
2	12204PNA305	GUIDE, IN. VALVE (OS)			008	LD, LU, XU, XCD
3	12205PNA305	GUIDE, EX. VALVE (OS)			008	LD, LU, XU, XCD
4	12210PZ1003	SEAL A, VALVE STEM (ARAI)			008	LD, LU, XU, XCD
4	12210PZ1004	SEAL A, VALVE STEM (NOK)			008	LD, LU, XU, XCD
5	12211PZ1003	SEAL B, VALVE STEM (ARAI)			008	LD, LU, XU, XCD
5	12211PZ1004	SEAL B, VALVE STEM (NOK)			008	LD, LU, XU, XCD
6	12251ZY6003	GASKET COMP., CYLINDER HEAD			001	LD, LU, XU, XCD
7	14820PNA003	MOTION COMP., LOST			004	LD, LU, XU, XCD
8	15810ZY6003ZA	VALVE ASSY., SPOOL *NH8 *		1009616	001	LD, LU, XU, XCD
8	15810ZY6013ZA	VALVE ASSY., SPOOL *NH8 *	1009617		001	LD, LU, XU, XCD
9	15815RAAA01	FILTER ASSY., SPOOL VALVE		1009616	001	LD, LU, XU, XCD
9	15815RAAA01	FILTER ASSY., SPOOL VALVE		1002847	001	LD, LU, XU, XCD
9	15815RAAA02	FILTER ASSY., SPOOL VALVE	1009617		001	LD, LU, XU, XCD
10	15834ZY6000	PLUG, VTC HOLE			001	LD, LU, XU, XCD
11	15840ZY6000ZA	STRAINER ASSY., VTC *NH8 *			001	LD, LU, XU, XCD
12	15845RAAA01	FILTER ASSY., VTC			001	LD, LU, XU, XCD
13	32116ZY6000	BRACKET F, CLIP			001	LD, LU, XU, XCD
14	37510PNB003	SENSOR ASSY., TDC			001	LD, LU, XU, XCD
15	37521ZY6000	PLUG, TDC HOLE			001	LD, LU, XU, XCD

16	90005PNA003	BOLT-WASHER, 11X155			010	LD, LU, XU, XCD
17	90011PNA003	BOLT A, HEAD COVER			006	LD, LU, XU, XCD
18	90017ZY3000	BOLT, FLANGE, 6X16			002	LD, LU, XU, XCD
19	90018ZW5000	BOLT, FLANGE, 6X20			004	LD, LU, XU, XCD
20	90021ZY3000	BOLT, FLANGE, 6X14			001	LD, LU, XU, XCD
21	90048ZY6000	BOLT, SEALING, 20MM		1005605	001	LD, XCD
21	90048ZY6000	BOLT, SEALING, 20MM		1001600	001	LD, XCD
21	90048ZY6010	BOLT, SEALING, 20MM			001	LU, XU
21	90048ZY6010	BOLT, SEALING, 20MM	1005606		001	LD, LU, XU, XCD
22	90011ZY6000	BOLT, FLANGE, 6X52			003	LD, LU, XU, XCD
22	90011ZY6000	BOLT, FLANGE, 6X52	1002268		003	LD, LU, XU, XCD
22	90011ZY6000	BOLT, FLANGE, 6X52	1008158		003	LD, LU, XU, XCD
22	90147ZW4000	BOLT, FLANGE, 6X55		1008157	003	LD, LU, XU, XCD
23	91303ZY6003	O-RING, 15X1.9			001	LD, LU, XU, XCD
24	91333PNA003	O-RING, 15X1.9			001	LD, LU, XU, XCD
25	9430110160	DOWEL PIN, 10X16			020	LD, LU, XU, XCD
26	9430114200	DOWEL PIN, 14X20			002	LD, LU, XU, XCD
27	957010602008	BOLT, FLANGE, 6X20			001	LD, LU, XU, XCD
28	957010603208	BOLT, FLANGE, 6X32			001	LD, LU, XU, XCD
29	957010809008	BOLT, FLANGE, 8X90			012	LD, LU, XU, XCD
30	957010811008	BOLT, FLANGE, 8X110			002	LD, LU, XU, XCD
31	06122ZY6010ZA	HEAD KIT, CYLINDER *NH8*			001	LD, LU, XU, XCD
32	9410920000	WASHER, DRAIN PLUG, 20MM	1005909		001	LD, LU, XU, XCD
32	9410920000	WASHER, DRAIN PLUG, 20MM	1016177		001	LD, LU, XU, XCD

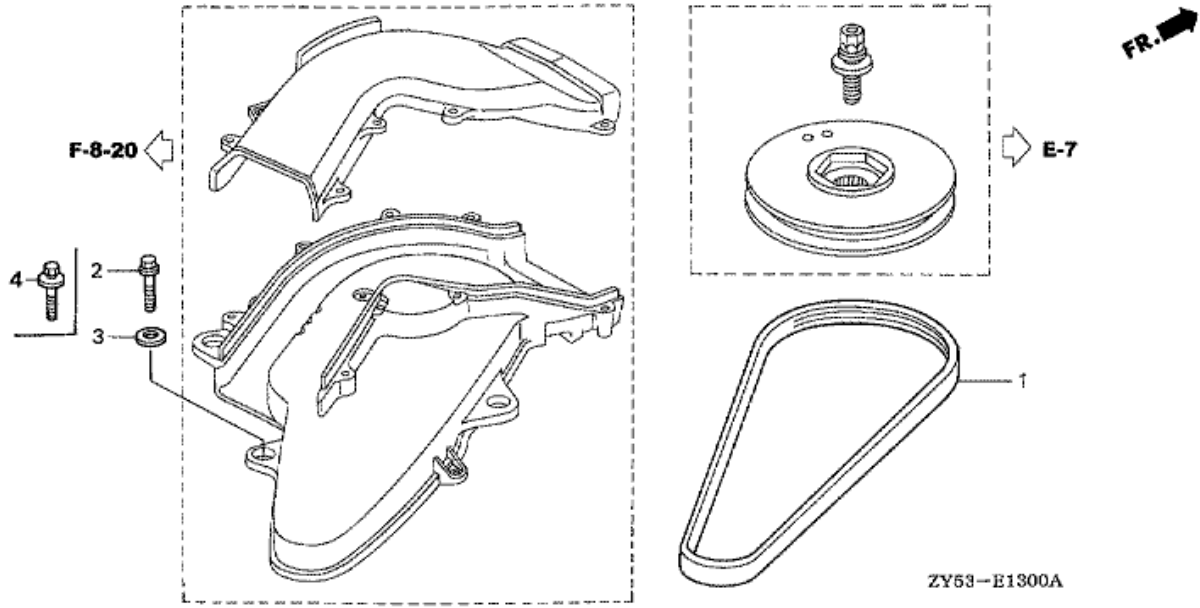
E-10 BALANCER SHAFT



Refnr	Parça Numarası	Açıklama	İlk numara	Son numara	Birim Adedi	Tipler
1	13400ZY6000	CASE ASSY., BALANCER HOLDER			001	LD, LU, XU, XCD
2	13410RAD000	SHAFT COMP., FR. BALANCER			001	LD, LU, XU, XCD
3	13420RAD000	SHAFT COMP., RR. BALANCER			001	LD, LU, XU, XCD
4	13432PNA000	SPROCKET, DRIVEN (17T)			001	LD, LU, XU, XCD
5	13441PNA004	CHAIN (62L)			001	LD, LU, XU, XCD
6	13450PNA004	TENSIONER COMP., BALANCER SHAFT CHAIN			001	LD, LU, XU, XCD
7	13460PNA004	GUIDE COMP., BALANCER SHAFT CHAIN			001	LD, LU, XU, XCD
8	15115PNA003	METAL, BALANCER SHAFT (DAIDO)			004	LD, LU, XU, XCD
8	15115PNA003	METAL, BALANCER SHAFT (DAIDO)		1008210	004	LD, LU, XU, XCD
8	15115PNA004	METAL, BALANCER SHAFT (TAIHO)			004	LD, XCD
8	15115R40A01	METAL, BALANCER SHAFT (DAIDO)	1008211		004	LD, LU, XU, XCD
9	90004PNA000	BOLT, CHAIN GUIDE			002	LD, LU, XU, XCD
10	90020ZY6000	BOLT, FLANGE, 8X55			003	LD, LU, XU, XCD
11	90031PNA004	BOLT-WASHER, 10X30			001	LD, LU, XU, XCD
12	90701ZY6000	DOWEL PIN, 18X13			001	LD, LU, XU, XCD
13	9430108100	DOWEL PIN, 8X10			002	LD, LU, XU, XCD
14	9430112160	PIN A, DOWEL, 12X16			003	LD, LU, XU, XCD
15	957010601408	BOLT, FLANGE, 6X14			003	LD, LU, XU, XCD
16	957010805008	BOLT, FLANGE, 8X50			001	LD, LU, XU, XCD
17	957010807508	BOLT, FLANGE, 8X75			001	LD, LU, XU, XCD
18	957011010508	BOLT, FLANGE, 10X105			002	LD, LU, XU,

						XCD
19	963000602500	BOLT, FLANGE, 6X25			002	LD, LU, XU, XCD
20	963000603200	BOLT, FLANGE, 6X32			003	LD, LU, XU, XCD

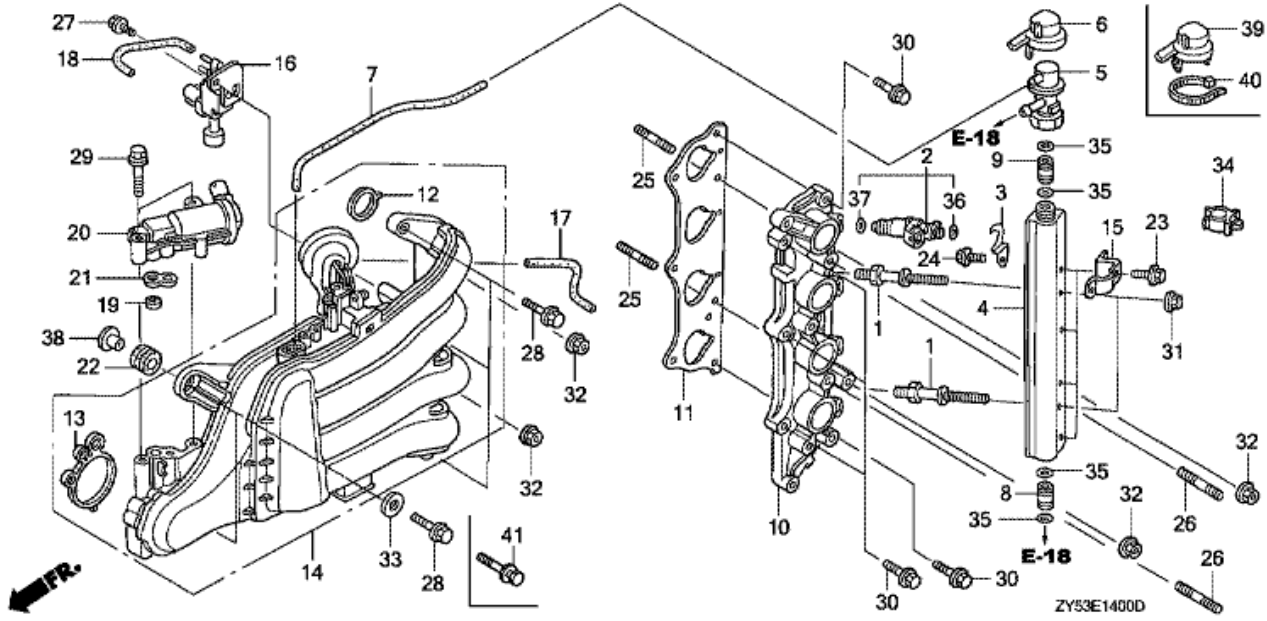
E-13 A.C.G. BELT



Refnr	Parça Numarası	Açıklama	İlk numara	Son numara	Birim Adedi	Tipler
1	31638ZY6003	BELT, A.C. GENERATOR (4PK810)			001	LD, LU, XU, XCD
2	90019ZW5000	BOLT, FLANGE, 6X25		1002491	004	LD, LU, XU, XCD
2	90019ZW5000	BOLT, FLANGE, 6X25		1008968	004	LD, LU, XU, XCD
3	90508ZY3000	WASHER, PLAIN, 6MM		1002491	004	LD, LU, XU, XCD
3	90508ZY3000	WASHER, PLAIN, 6MM		1008968	004	LD, LU, XU, XCD
4	90013ZW1000	BOLT-WASHER, 6X25			004	LD, LU, XU, XCD
4	90013ZW1000	BOLT-WASHER, 6X25	1008969		004	LD, LU, XU, XCD



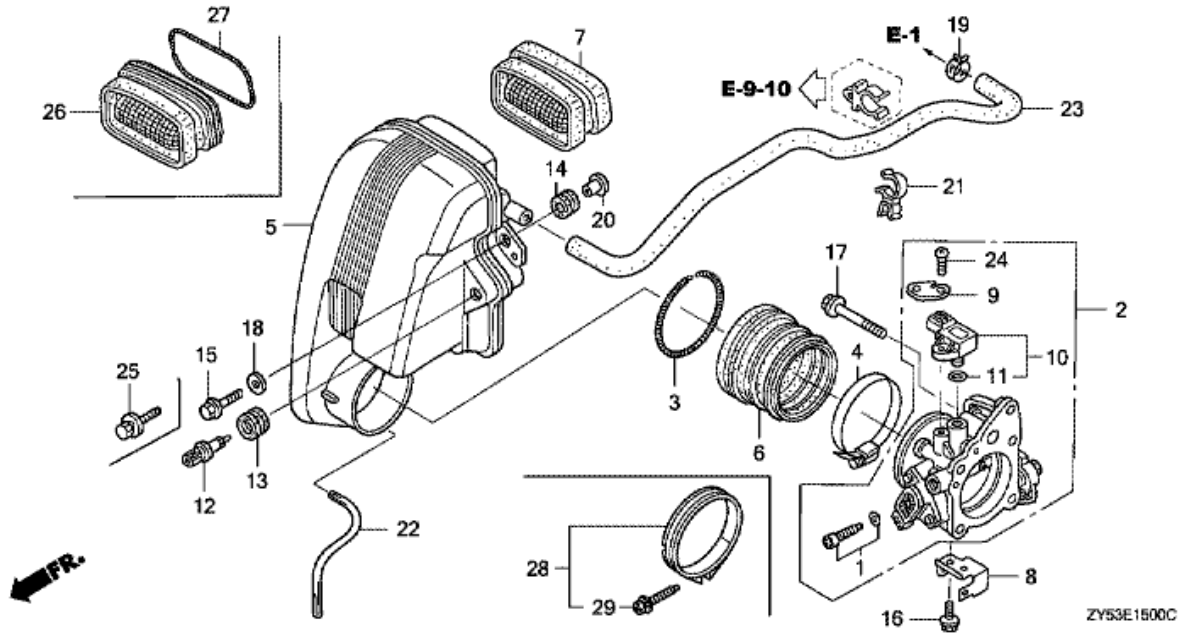
E-14 INTAKE MANIFOLD/INJECTOR



Refnr	Parça Numarası	Açıklama	İlk numara	Son numara	Birim Adedi	Tipler
1	16089ZY6000	BOLT, FUEL PIPE			002	LD, LU, XU, XCD
2	16450ZY6003	INJECTOR ASSY., FUEL			004	LD, LU, XU, XCD
3	16451ZY6000	CLIP, INJECTOR			004	LD, LU, XU, XCD
4	16621ZY6000	LINE, FUEL			001	LD, LU, XU, XCD
5	16740ZY6003	REGULATOR ASSY., PRESSURE			001	LD, LU, XU, XCD
6	16744ZY6000	CAP, REGULATOR		1001706	001	LD, XCD
6	16744ZY6000	CAP, REGULATOR		1006658	001	LD, XCD
7	16748ZY6000	TUBE, PRESSURE REGULATOR CONTROL			001	LD, LU, XU, XCD
8	16752ZY3000	JOINT, FUEL PIPE			001	LD, LU, XU, XCD
9	16752ZY6000	JOINT, FUEL PIPE			001	LD, LU, XU, XCD
10	17051ZY6000ZA	BASE, INJECTOR *NH8 *			001	LD, LU, XU, XCD
11	17055PNA004	GASKET A, INJECTOR BASE			001	LD, LU, XU, XCD
12	17105ZY6000	PACKING, INTAKE MANIFOLD			004	LD, LU, XU, XCD
13	17109ZY6000	PACKING, THROTTLE BODY			001	LD, LU, XU, XCD
14	17110ZY6003	MANIFOLD COMP., INTAKE			001	LD, LU, XU, XCD
15	32111ZY6000	BRACKET A, HARNESS CLIP			004	LD, LU, XU, XCD
16	36163ZY3003	VALVE ASSY., AIR BYPASS			001	LD, LU, XU, XCD
17	36364ZY6000	TUBE, DIAPHRAGM			001	LD, LU, XU, XCD
18	36366ZY6000	TUBE, BYPASS SOLENOID			001	LD, LU, XU, XCD
19	36454PS4003	FILTER COMP., ELECTRONIC AIR CONTROL VALVE (TOYO ROKI)			001	LD, LU, XU, XCD
20	36550ZY6003	VALVE ASSY., ELECTRONIC AIR CONTROL			001	LD, LU, XU, XCD

21	36551ZY6003	PACKING, ELECTRONIC AIR CONTROL VALVE			001	LD, LU, XU, XCD
22	51640121730	RUBBER, FR. CARRIER CUSHION			002	LD, LU, XU, XCD
23	90021ZY3000	BOLT, FLANGE, 6X14			004	LD, LU, XU, XCD
24	90042ZY3000	BOLT, FLANGE, 6X10			004	LD, LU, XU, XCD
25	90043ZY6000	BOLT, STUD 2, 8X25			002	LD, LU, XU, XCD
26	90047ZY6000	BOLT, STUD, 8X32			002	LD, LU, XU, XCD
27	90049ZY6000	BOLT, FLANGE, 5X12			001	LD, LU, XU, XCD
28	90054ZY3000	BOLT, FLANGE, 8X35	1003052		003	LD, LU, XU, XCD
28	90054ZY3000	BOLT, FLANGE, 8X35	1010031		003	LD, LU, XU, XCD
28	90054ZY3000	BOLT, FLANGE, 8X35		1010030	005	LD, LU, XU, XCD
28	90054ZY3000	BOLT, FLANGE, 8X35			003	LD, LU, XU, XCD
29	90126ZW4000	BOLT, FLANGE, 8X45			002	LD, LU, XU, XCD
30	90151ZW4000	BOLT, FLANGE, 8X25			005	LD, LU, XU, XCD
31	90202ZY6000	NUT, FLANGE, 6MM		1000703	002	LD, LU, XU, XCD
31	90301ZW2F00	NUT, FLANGE, 6MM	1001170		002	LD, LU, XU, XCD
31	90301ZW2F00	NUT, FLANGE, 6MM	1000704		002	LD, LU, XU, XCD
32	90205ZY3000	NUT, FLANGE, 8MM			004	LD, LU, XU, XCD
33	90402ZY3000	WASHER, PLAIN, 8MM		1003051	002	LD, LU, XU, XCD
33	90402ZY3000	WASHER, PLAIN, 8MM		1010030	002	LD, LU, XU, XCD
34	90687SB2003	CLIP, FUEL TUBE, 14			004	LD, LU, XU, XCD
35	91301MJ0003	O-RING, 7.8X1.9 (ARAI)			004	LD, LU, XU, XCD
36	91301PLC000	O-RING, 7.47X3.6			004	LD, LU, XU, XCD
37	91302PNA003	O-RING, 7.45X3.61 (NOK)			004	LD, LU, XU, XCD
38	91551ZW1010	COLLAR, 8.3X14.5		1000703	002	LD, LU, XU, XCD
38	91554ZW1000	COLLAR, 8.5X14.5	1000704		002	LD, LU, XU, XCD
39	16744ZY6010	CAP, REGULATOR			001	LD, LU, XU, XCD
39	16744ZY6010	CAP, REGULATOR	1006659		001	LD, XCD
40	90650GEV003	BAND, HARNESS	1006659		001	LD, XCD
40	90650GEV003	BAND, HARNESS			001	LD, LU, XU, XCD
41	90014ZW1000	BOLT-WASHER, 8X35			002	LD, LU, XU, XCD
41	90014ZW1000	BOLT-WASHER, 8X35	1010031		002	LD, LU, XU, XCD

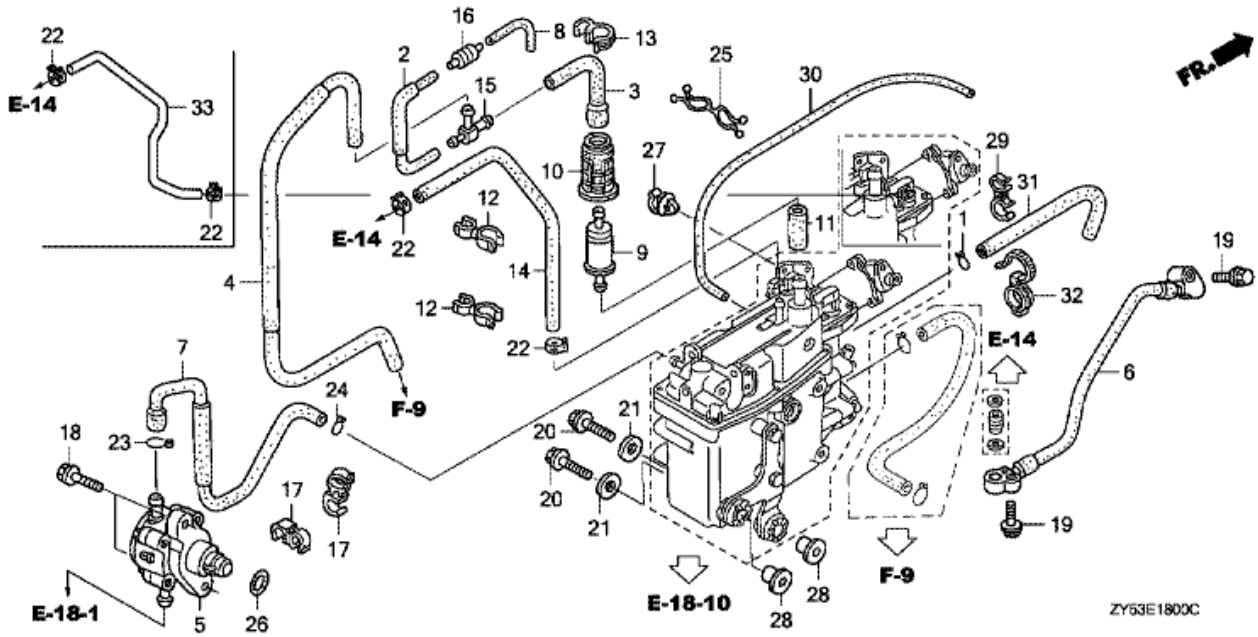
E-15 THROTTLE BODY



Refnr	Parça Numarası	Açıklama	İlk numara	Son numara	Birim Adedi	Tipler
1	16016ZY6003	SCREW SET			001	LD, LU, XU, XCD
2	16400ZY6003	THROTTLE BODY ASSY.			001	LD, LU, XU, XCD
2	16400ZY6003	THROTTLE BODY ASSY.		1022379	001	LD, LU, XU, XCD
2	16400ZY6013	THROTTLE BODY ASSY.	1022380		001	LD, LU, XU, XCD
3	17249PY3000	SPRING, AIR FLOW TUBE			001	LD, LU, XU, XCD
4	17316ZY3000	CLAMP, AIR FLOW TUBE			001	LD, LU, XU, XCD
4	17316ZY3000	CLAMP, AIR FLOW TUBE		1017156	001	LD, LU, XU, XCD
5	17371ZY6000	CASE COMP., SILENCER		1007085	001	LD, XCD
5	17371ZY6000	CASE COMP., SILENCER		1001885	001	LD, XCD
5	17371ZY6010	CASE COMP., SILENCER		1009579	001	LU, XU
5	17371ZY6010	CASE COMP., SILENCER	1007086		001	LD, XCD
5	17371ZY6020	CASE COMP., SILENCER	1009580		001	LD, LU, XU, XCD
6	17374ZY6000	GROMMET, SILENCER			001	LD, LU, XU, XCD
7	17397ZY6003	GROMMET, SILENCER DUCT		1002844	001	LD, LU, XU, XCD
7	17397ZY6003	GROMMET, SILENCER DUCT		1009579	001	LD, LU, XU, XCD
8	32115ZY6000	BRACKET E, HARNESS CLIP			001	LD, LU, XU, XCD
9	32128ZY3000	BRACKET, SENSOR CORD			001	LD, LU, XU, XCD
10	37830PGKA01	SENSOR ASSY., MAP			001	LD, LU, XU, XCD
10	37830PGKA01	SENSOR ASSY., MAP		1022379	001	LD, LU, XU, XCD
10	37830RNAA01	SENSOR ASSY., MAP	1022380		001	LD, LU, XU, XCD
11	37835PGKA01	O-RING			001	LD, LU, XU, XCD
12	37880PLC004	SENSOR ASSY., AIR TEMP (MATSUSHITA DENSHI)			001	LD, LU, XU, XCD

13	37881P2A000	GROMMET, TA SENSOR			001	LD, LU, XU, XCD
14	40102ZV5000	GROMMET, UNDER CASE			003	LD, LU, XU, XCD
15	90019ZW5000	BOLT, FLANGE, 6X25		1002491	003	LD, LU, XU, XCD
15	90019ZW5000	BOLT, FLANGE, 6X25		1008968	003	LD, LU, XU, XCD
16	90056ZY3000	BOLT, FLANGE, 6X12			001	LD, LU, XU, XCD
17	90127ZV1010	BOLT, FLANGE, 8X60			004	LD, LU, XU, XCD
18	90508ZY3000	WASHER, PLAIN, 6MM		1002491	003	LD, LU, XU, XCD
18	90508ZY3000	WASHER, PLAIN, 6MM		1008968	003	LD, LU, XU, XCD
19	90601ZV3010	CLAMP, TUBE (D17)			001	LD, LU, XU, XCD
19	90601ZV3010	CLAMP, TUBE (D17)		1016281	001	LD, LU, XU, XCD
19	90601ZV3020	CLAMP, TUBE (D17)	1016282	1016964	001	LD, LU, XU, XCD
19	90601ZV3030	CLAMP, TUBE (D17)	1016965		001	LD, LU, XU, XCD
20	91553ZV5010	COLLAR, C.D.I. UNIT CASE			003	LD, LU, XU, XCD
21	91595SF1003	CLAMP, FUEL HOSE			001	LD, LU, XU, XCD
22	950030701631	TUBE, VINYL, 4X7X160 (95003-07001-60M)			001	LD, LU, XU, XCD
23	950051274020	TUBE, 12X740 (95005-12001-20M)			001	LD, LU, XU, XCD
24	90006ZY6000	SCREW, PAN, 5X18			001	LD, LU, XU, XCD
25	90013ZW1000	BOLT-WASHER, 6X25	1008969		003	LD, LU, XU, XCD
25	90013ZW1000	BOLT-WASHER, 6X25			003	LD, LU, XU, XCD
26	17397ZY6013	GROMMET, SILENCER DUCT			001	LD, LU, XU, XCD
26	17397ZY6013	GROMMET, SILENCER DUCT	1009580		001	LD, LU, XU, XCD
27	17398ZY6000	SPRING, SILENCER DUCT GROMMET	1009580		001	LD, LU, XU, XCD
27	17398ZY6000	SPRING, SILENCER DUCT GROMMET			001	LD, LU, XU, XCD
28	17315ZY9000	BAND, AIR FLOW	1006335		001	LD, LU, XU, XCD
28	17315ZY9000	BAND, AIR FLOW	1017157		001	LD, LU, XU, XCD
29	90017ZY9000	BOLT-WASHER, 5X30	1006335		001	LD, LU, XU, XCD
29	90017ZY9000	BOLT-WASHER, 5X30	1017157		001	LD, LU, XU, XCD

E-18 FUEL PUMP/FUEL HOSE



Refnr	Parça Numarası	Açıklama	İlk numara	Son numara	Birim Adedi	Tipler
1	16163GHB610	CLIP, TUBE			001	LD, LU, XU, XCD
2	16196ZY6000	TUBE COMP. C, AIR VENT			001	LD, LU, XU, XCD
3	16198ZY6000	TUBE B, AIR VENT			001	LD, LU, XU, XCD
4	16199ZY6000	TUBE COMP., AIR VENT			001	LD, LU, XU, XCD
5	16700ZY6013	PUMP ASSY., FUEL			001	LD, LU, XU, XCD
6	16755ZY6003	HOSE COMP., FUEL			001	LD, LU, XU, XCD
7	16860ZY6000	TUBE COMP. B, FUEL			001	LD, LU, XU, XCD
8	16881ZV5000	TUBE D, FUEL			001	LD, LU, XU, XCD
9	16911759003	STRAINER, FUEL PUMP			001	LD, LU, XU, XCD
10	16915ZW5000	SUSPENSION, STRAINER			001	LD, LU, XU, XCD
11	16952MZ5000	TUBE B, FUEL			001	LD, LU, XU, XCD
12	16965VM0771	CLAMP, HOSE			002	LD, LU, XU, XCD
13	17368KV7671	CLAMP, PIPE			001	LD, LU, XU, XCD
14	17723ZY6000	HOSE, PRESSURE REGULATOR RETURN		1005289	001	LD, LU, XU, XCD
14	17723ZY6000	HOSE, PRESSURE REGULATOR RETURN		1014361	001	LD, LU, XU, XCD
15	19269ZY6000	T-JOINT			001	LD, LU, XU, XCD
16	36135ZY6003	VALVE, CHECK			001	LD, LU, XU, XCD
17	53740SE0953	CLIP, SENSOR HOSE			002	LD, LU, XU, XCD
18	90010ZY6000	BOLT, FLANGE, 6X27			002	LD, LU, XU, XCD
19	90016ZW9000	BOLT, FLANGE, 6X25			002	LD, LU, XU, XCD

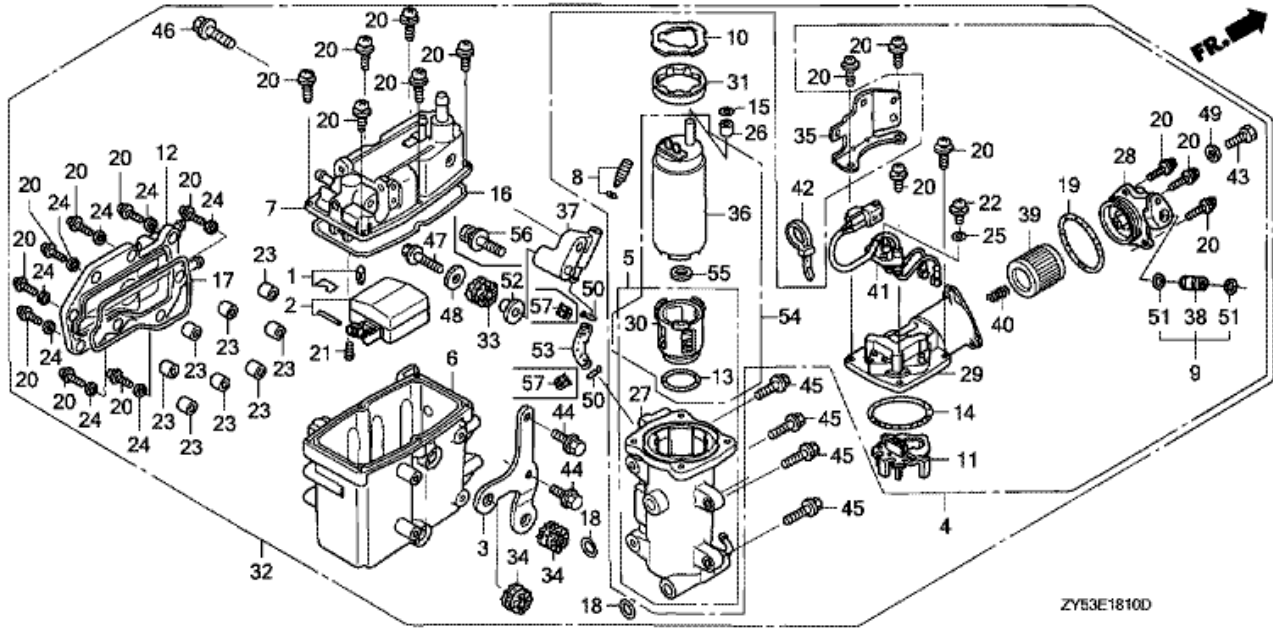
20	90014ZW1000	BOLT-WASHER, 8X35			002	LD, LU, XU, XCD
20	90014ZW1000	BOLT-WASHER, 8X35	1003052		002	LD, LU, XU, XCD
20	90014ZW1000	BOLT-WASHER, 8X35	1010031		002	LD, LU, XU, XCD
20	90054ZY3000	BOLT, FLANGE, 8X35		1010030	002	LD, LU, XU, XCD
21	90402ZY3000	WASHER, PLAIN, 8MM		1010030	002	LD, LU, XU, XCD
21	90402ZY3000	WASHER, PLAIN, 8MM		1003051	002	LD, LU, XU, XCD
22	90601ZW5010	CLAMP, TUBE (D10.7)			002	LD, LU, XU, XCD
22	90601ZW5010	CLAMP, TUBE (D10.7)		1016176	002	LD, LU, XU, XCD
22	90601ZW5020	CLAMP, TUBE (D10.7)	1016177	1016964	002	LD, LU, XU, XCD
22	90601ZW5030	CLAMP, TUBE (D10.7)	1016965		002	LD, LU, XU, XCD
23	90601ZY6000	CLIP, TUBE (B1 14.5)			001	LD, LU, XU, XCD
24	90604881000	CLIP, TUBE (B12)		1010030	001	LD, LU, XU, XCD
24	90604881000	CLIP, TUBE (B12)		1003051	001	LD, LU, XU, XCD
24	90604ZV0000	CLIP, TUBE (B12)	1010031		001	LD, LU, XU, XCD
25	90605ZY6003	CLIP, FUEL HOSE			001	LD, LU, XU, XCD
26	91317PA9003	O-RING, 33.2X2.4 (NOK)			001	LD, LU, XU, XCD
27	91547SE0003	CLIP, HARNESS			001	LD, LU, XU, XCD
28	91551ZW1010	COLLAR, 8.3X14.5		1008968	002	LD, LU, XU, XCD
28	91551ZW1010	COLLAR, 8.3X14.5		1002491	002	LD, LU, XU, XCD
28	91554ZW1000	COLLAR, 8.5X14.5	1008969		002	LD, LU, XU, XCD
29	91599SH3A32	CLAMP, PURGE HOSE			001	LD, LU, XU, XCD
30	950013543040	TUBE, FUEL, 3.5X430 (95001-35001-60M)			001	LD, LU, XU, XCD
31	19273ZY6000	TUBE G, WATER	1004833		001	LD, LU, XU, XCD
31	19273ZY6000	TUBE G, WATER	1013457		001	LD, LU, XU, XCD
31	950057040030	TUBE, 7X400 (95005-70001-30M)		1013456	001	LD, LU, XU, XCD
32	91558SM4003	CLIP, TUBE (BLACK) (135MM)			001	LD, LU, XU, XCD
32	91558SM4003	CLIP, TUBE (BLACK) (135MM)	1006659		001	LD, XCD
33	17723ZY6010	HOSE, PRESSURE REGULATOR RETURN	1005290		001	LD, LU, XU, XCD
33	17723ZY6010	HOSE, PRESSURE REGULATOR RETURN	1014362		001	LD, LU, XU, XCD



						XCD
15	16914ZY6010	STAY, FUEL STRAINER	1007834		001	LD, LU, XU, XCD
16	16915ZY3000	SUSPENSION, STRAINER		1002109	002	LD, LU, XU, XCD
16	16915ZY3000	SUSPENSION, STRAINER		1007833	002	LD, LU, XU, XCD
16	16915ZY3010	SUSPENSION, STRAINER	1007834		002	LD, LU, XU, XCD
17	16918ZY3003	O-RING			002	LD, LU, XU, XCD
18	16919ZY3003	PLATE			002	LD, LU, XU, XCD
19	16966MR5000	JOINT, FUEL TUBE			001	LD, LU, XU, XCD
20	90021ZY3000	BOLT, FLANGE, 6X14			002	LD, LU, XU, XCD
21	90601ZY6000	CLIP, TUBE (B1 14.5)			001	LD, LU, XU, XCD
22	90604881000	CLIP, TUBE (B12)			004	LD, LU, XU, XCD
22	90604881000	CLIP, TUBE (B12)	1007304	1010030	004	LD, XCD
22	90604881000	CLIP, TUBE (B12)		1007303	006	LD, XCD
22	90604881000	CLIP, TUBE (B12)	1001930	1003051	004	LD, LU, XU, XCD
22	90604881000	CLIP, TUBE (B12)		1001929	006	LD, XCD
22	90604ZV0000	CLIP, TUBE (B12)	1010031		004	LD, LU, XU, XCD
23	90683SA0003	CLIP, WIRE HARNESS, 25MM			001	LD, LU, XU, XCD
24	90602ZW5010	CLAMP, TUBE (D12)		1016176	002	LU, XU
24	90602ZW5010	CLAMP, TUBE (D12)	1007304	1016176	002	LD, XCD
24	90602ZW5010	CLAMP, TUBE (D12)		1005908	002	LD, LU, XU, XCD
24	90602ZW5020	CLAMP, TUBE (D12)	1016177	1016964	002	LD, LU, XU, XCD
24	90602ZW5030	CLAMP, TUBE (D12)	1016965		002	LD, LU, XU, XCD



E-18-10 VAPOR SEPARATOR ASSY.



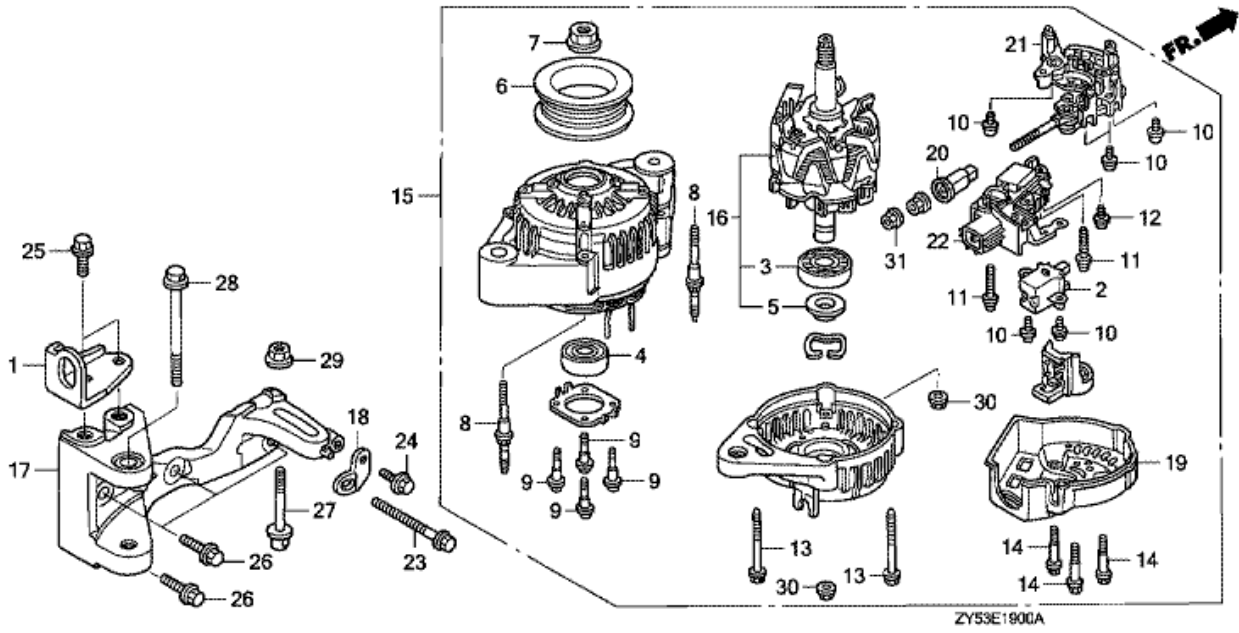
Refnr	Parça Numarası	Açıklama	İlk numara	Son numara	Birim Adedi	Tipler
1	16011ZY3000	VALVE SET, FLOAT			001	LD, LU, XU, XCD
2	16013ZY3000	FLOAT SET			001	LD, LU, XU, XCD
3	16014ZY6003	STAY A, PLATE			001	LD, LU, XU, XCD
4	16017ZY6003	PUMP UNIT, FUEL		1004618	001	LD, LU, XU, XCD
4	16017ZY6003	PUMP UNIT, FUEL		1013209	001	LD, LU, XU, XCD
4	16017ZY6023	PUMP UNIT, FUEL	1013210	1014361	001	LD, LU, XU, XCD
4	16017ZY6023	PUMP UNIT, FUEL	1004619	1005289	001	LD, LU, XU, XCD
4	16017ZY6033	PUMP UNIT, FUEL	1014362	1014445	001	LD, LU, XU, XCD
4	16017ZY6033	PUMP UNIT, FUEL	1005290	1005305	001	LD, LU, XU, XCD
4	16017ZY6043	PUMP UNIT, FUEL	1014446		001	LD, LU, XU, XCD
5	16018ZY6003	CASE SET, PUMP		1004618	001	LD, LU, XU, XCD
5	16018ZY6003	CASE SET, PUMP		1013209	001	LD, LU, XU, XCD
6	16019ZY6003	BODY COMP., CHAMBER			001	LD, LU, XU, XCD
7	16020ZY6003	COVER COMP.		1005289	001	LD, LU, XU, XCD
7	16020ZY6003	COVER COMP.		1014361	001	LD, LU, XU, XCD
7	16020ZY6013	COVER COMP.	1005290	1007912	001	LD, LU, XU, XCD
7	16020ZY6013	COVER COMP.	1014362	1021096	001	LD, LU, XU, XCD
7	16020ZY6023	COVER COMP.	1021097		001	LD, LU, XU, XCD
8	16024ZY3000	SCREW SET, DRAIN			001	LD, LU, XU, XCD
9	16026ZY3000	JOINT SET			001	LD, LU, XU, XCD

10	16041ZY3000	PLATE				001	LD, LU, XU, XCD
11	16042ZY3000	HOLDER				001	LD, LU, XU, XCD
12	16061ZY3000	COVER, WATER JACKET				001	LD, LU, XU, XCD
13	16072ZY3000	O-RING				001	LD, LU, XU, XCD
14	16073ZY3000	O-RING				001	LD, LU, XU, XCD
15	16074ZY3000	O-RING				001	LD, LU, XU, XCD
16	16075ZY3000	O-RING				001	LD, LU, XU, XCD
17	16076ZY3000	O-RING				001	LD, LU, XU, XCD
18	16077ZY3000	O-RING				002	LD, LU, XU, XCD
19	16078ZY3000	O-RING				001	LD, LU, XU, XCD
20	16081ZW5000	SCREW-WASHER		1004618		021	LD, LU, XU, XCD
20	16081ZW5000	SCREW-WASHER		1013209		021	LD, LU, XU, XCD
20	16081ZW5010	SCREW-WASHER	1013210			021	LD, LU, XU, XCD
21	16082ZY3000	SCREW, PAN				002	LD, LU, XU, XCD
22	16083ZY3000	SCREW, WASHER				001	LD, LU, XU, XCD
23	16086ZW5000	COLLAR				008	LD, LU, XU, XCD
24	16087ZW5000	WASHER, PLAIN				008	LD, LU, XU, XCD
25	16087ZY3000	WASHER, PLAIN				001	LD, LU, XU, XCD
26	16088ZY3000	COLLAR				001	LD, LU, XU, XCD
27	16701ZY6003	CASE COMP., PUMP				001	LD, LU, XU, XCD
28	16708ZW5003	COVER, PUMP (B)				001	LD, LU, XU, XCD
29	16715ZW5003	COVER, PUMP (A)		1014361		001	LD, LU, XU, XCD
29	16715ZW5003	COVER, PUMP (A)		1005289		001	LD, LU, XU, XCD
29	16715ZW5013	COVER, PUMP (A)	1014362	1014445		001	LD, LU, XU, XCD
29	16715ZW5023	COVER, PUMP (A)	1014446			001	LD, LU, XU, XCD
30	16718ZY6003	INSULATOR COMP.		1004618		001	LD, LU, XU, XCD
30	16718ZY6003	INSULATOR COMP.		1013209		001	LD, LU, XU, XCD
30	16718ZY6013	INSULATOR COMP.	1013210			001	LD, LU, XU, XCD
31	16721ZY3000	INSULATOR				001	LD, LU, XU, XCD
32	16730ZY6003	SEPARATOR ASSY., VAPOR		1004618		001	LD, LU, XU, XCD
32	16730ZY6003	SEPARATOR ASSY., VAPOR		1013209		001	LD, LU, XU, XCD
32	16730ZY6023	SEPARATOR ASSY., VAPOR	1013210	1014361		001	LD, LU, XU, XCD
32	16730ZY6023	SEPARATOR ASSY., VAPOR	1004619	1005289		001	LD, LU, XU, XCD
32	16730ZY6033	SEPARATOR ASSY., VAPOR	1014362	1014445		001	LD, LU, XU, XCD
32	16730ZY6043	SEPARATOR ASSY., VAPOR	1014446	1021096		001	LD, LU, XU, XCD
32	16730ZY6053	SEPARATOR ASSY., VAPOR	1021097	1022379		001	LD, LU, XU, XCD

						XCD
32	16730ZY6063	SEPARATOR ASSY., VAPOR	1022380		001	LD, LU, XU, XCD
32	16730ZY6063	SEPARATOR ASSY., VAPOR	1008466		001	LD, LU, XU, XCD
33	16733ZW5000	GROMMET, VAPOR SEPARATOR			001	LD, LU, XU, XCD
34	16733ZY3000	GROMMET, VAPOR SEPARATOR			002	LD, LU, XU, XCD
35	16734ZY6003	STAY, PLATE			001	LD, LU, XU, XCD
36	16735ZW5003	PUMP UNIT, FUEL			001	LD, LU, XU, XCD
37	16736ZY6003	STAY, VAPOR SEPARATOR			001	LD, LU, XU, XCD
38	16752ZY3000	JOINT, FUEL PIPE			001	LD, LU, XU, XCD
39	16911ZY3000	STRAINER, FUEL		1004618	001	LD, LU, XU, XCD
39	16911ZY3000	STRAINER, FUEL		1013209	001	LD, LU, XU, XCD
39	16911ZY3010	SCREEN COMP., FUEL STRAINER	1013210		001	LD, LU, XU, XCD
40	16913ZY3000	SPRING, SET			001	LD, LU, XU, XCD
41	32166ZY6003	HARNESS COMP.			001	LD, LU, XU, XCD
42	32168ZW5003	BAND			001	LD, LU, XU, XCD
43	90009PP4E01	BOLT, SEALING, 6MM			001	LD, LU, XU, XCD
44	90017ZY3000	BOLT, FLANGE, 6X16			002	LD, LU, XU, XCD
45	90016ZW9000	BOLT, FLANGE, 6X25	1002718		004	LD, LU, XU, XCD
45	90016ZW9000	BOLT, FLANGE, 6X25			004	LD, LU, XU, XCD
45	90016ZW9000	BOLT, FLANGE, 6X25	1009291		004	LD, LU, XU, XCD
45	90019ZW5000	BOLT, FLANGE, 6X25		1009290	004	LD, LU, XU, XCD
46	90049ZY3000	BOLT, FLANGE, 8X30			001	LD, LU, XU, XCD
47	90054ZY3000	BOLT, FLANGE, 8X35			001	LD, LU, XU, XCD
47	90054ZY3000	BOLT, FLANGE, 8X35		1018845	001	LD, LU, XU, XCD
48	90402ZY3000	WASHER, PLAIN, 8MM		1018845	001	LD, LU, XU, XCD
48	90402ZY3000	WASHER, PLAIN, 8MM			001	LD, LU, XU, XCD
49	90430PD6003	WASHER, SEALING, 6MM			001	LD, LU, XU, XCD
50	90602921000	CLIP, TUBE (B8)			002	LD, LU, XU, XCD
50	90602921000	CLIP, TUBE (B8)		1022379	002	LD, LU, XU, XCD
51	91301MJ0003	O-RING, 7.8X1.9 (ARAI)			002	LD, LU, XU, XCD
52	91501ZY3000	COLLAR, 8.3X14.5		1002717	001	LD, LU, XU, XCD
52	91501ZY3000	COLLAR, 8.3X14.5		1009290	001	LD, LU, XU, XCD
52	91554ZW1000	COLLAR, 8.5X14.5	1009291		001	LD, LU, XU, XCD
53	16840ZY6A00	TUBE F, FUEL	1022380		001	LD, LU, XU, XCD
53	950014505540	TUBE, FUEL, 4.5X55 (95001-45001-60M)		1008465	001	LD, LU, XU, XCD
53	950014505540	TUBE, FUEL, 4.5X55 (95001-45001-60M)		1022379	001	LD, LU, XU, XCD

54	16036ZY6003	PUMP UNIT, FUEL (B)	1004619		001	LD, LU, XU, XCD
54	16036ZY6003	PUMP UNIT, FUEL (B)	1013210		001	LD, LU, XU, XCD
55	16723ZY6003	RING	1013210		001	LD, LU, XU, XCD
55	16723ZY6003	RING	1004619		001	LD, LU, XU, XCD
56	90014ZW1000	BOLT-WASHER, 8X35	1007145		001	LD, LU, XU, XCD
56	90014ZW1000	BOLT-WASHER, 8X35	1018846		001	LD, LU, XU, XCD
57	90607ZY6000	CLAMP, TUBE (8.0)	1008466		002	LD, LU, XU, XCD
57	90607ZY6000	CLAMP, TUBE (8.0)	1022380		002	LD, LU, XU, XCD

E-19 A.C. GENERATOR



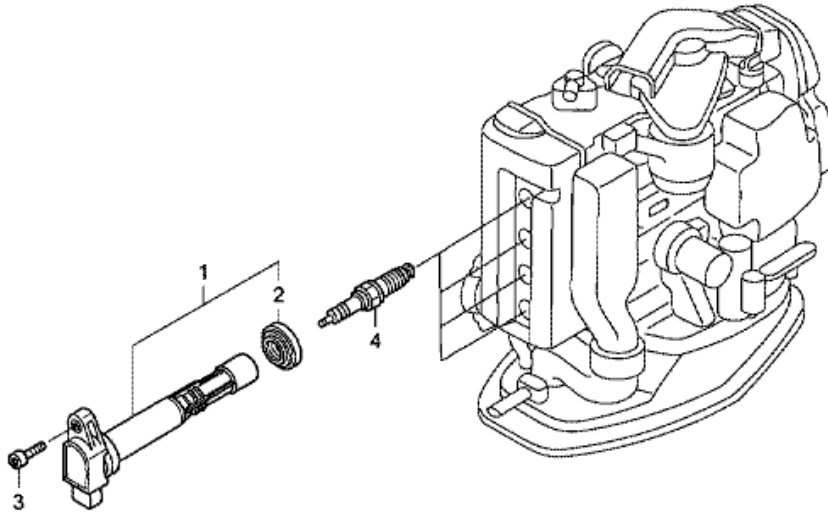
ZY53E190GA

Refnr	Parça Numarası	Açıklama	İlk numara	Son numara	Birim Adedi	Tipler
1	11912ZY6000	HANGER B, ENGINE			001	LD, LU, XU, XCD
2	31105PZ1003	HOLDER ASSY., BRUSH			001	LD, LU, XU, XCD
3	31111PJ7013	BEARING, RR.			001	LD, LU, XU, XCD
4	31114PJ7013	BEARING, FR.			001	LD, LU, XU, XCD
5	31138PD1004	COVER, BEARING			001	LD, LU, XU, XCD
6	31141P64003	PULLEY			001	LD, LU, XU, XCD
7	31142PD1004	NUT, PULLEY LOCK			001	LD, LU, XU, XCD
8	31145PE9941	BOLT, STUD			002	LD, LU, XU, XCD
9	31146PJ7003	SCREW			004	LD, LU, XU, XCD
10	31147PT0003	SCREW-WASHER			006	LD, LU, XU, XCD
11	31148PD1004	SCREW-WASHER, 4X25			002	LD, LU, XU, XCD
12	31149PZ1003	SCREW			001	LD, LU, XU, XCD
13	31152PE9942	BOLT-WASHER			002	LD, LU, XU, XCD
14	31153PZ1003	BOLT			003	LD, LU, XU, XCD
15	31630ZY6003	GENERATOR ASSY., A.C.			001	LD, LU, XU, XCD
16	31631ZW5003	ROTOR ASSY.			001	LD, LU, XU, XCD
17	31636ZY6000	BRACKET COMP., A.C. GENERATOR		1004350	001	LD, LU, XU, XCD
17	31636ZY6000	BRACKET COMP., A.C. GENERATOR		1012810	001	LD, LU, XU, XCD
17	31636ZY6010	BRACKET COMP., A.C. GENERATOR	1004351		001	LD, LU, XU, XCD
17	31636ZY6010	BRACKET COMP., A.C. GENERATOR	1012811		001	LD, LU, XU, XCD

18	31637ZY6000	STAY, A.C. GENERATOR			001	LD, LU, XU, XCD
19	31639ZW5003	END COVER, RR.			001	LD, LU, XU, XCD
20	31644ZW5003	BUSH, INSULATION			001	LD, LU, XU, XCD
21	31710ZW5003	RECTIFIER ASSY.			001	LD, LU, XU, XCD
22	31750ZY6003	REGULATOR ASSY.			001	LD, LU, XU, XCD
23	90011ZW5010	BOLT, SPECIAL ADJUSTER			001	LD, LU, XU, XCD
24	90017ZY3000	BOLT, FLANGE, 6X16			001	LD, LU, XU, XCD
25	90026ZY3000	BOLT, FLANGE, 8X20			002	LD, LU, XU, XCD
26	90035ZY3000	BOLT, FLANGE, 8X28			004	LD, LU, XU, XCD
27	90055ZY3000	BOLT, TENSIONER			001	LD, LU, XU, XCD
28	90163ZW4000	BOLT, FLANGE, 10X80			001	LD, LU, XU, XCD
29	90203ZW5010	NUT, FLANGE, 8MM			001	LD, LU, XU, XCD
30	90231PD1014	NUT-WASHER, 5MM			002	LD, LU, XU, XCD
31	94001060800S	NUT, HEX., 6MM			001	LD, LU, XU, XCD

E-20 IGNITION COIL/PLUG

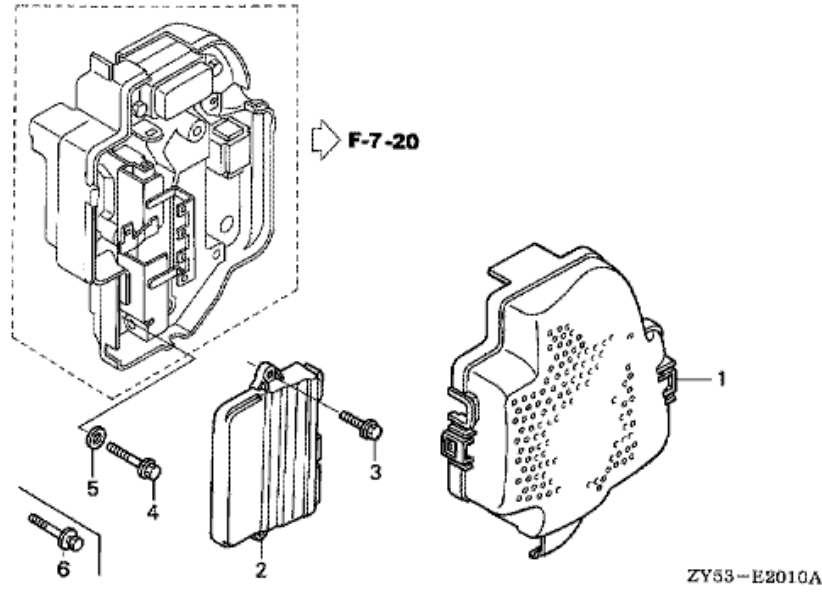
FR. →



ZY53E2000A

Refnr	Parça Numarası	Açıklama	İlk numara	Son numara	Birim Adedi	Tipler
1	30520PNA007	COIL COMP., PLUG HOLE			004	LD, LU, XU, XCD
1	30520PNA007	COIL COMP., PLUG HOLE		1016695	004	LD, LU, XU, XCD
1	30520RRA007	COIL COMP., PLUG HOLE	1016696		004	LD, LU, XU, XCD
2	30522PFB007	SEAL, PLUG HOLE			004	LD, LU, XU, XCD
3	90084ZY3000	BOLT, SOCKET, 6X25			004	LD, LU, XU, XCD
4	9807B5615P	PLUG, SPARK (KJ20DR-M11) (DENSO)	1008466		004	LD, LU, XU, XCD
4	9807B5615P	PLUG, SPARK (KJ20DR-M11) (DENSO)	1022380		004	LD, LU, XU, XCD
4	9807B5615W	PLUG, SPARK (SKJ20DR-M11) (DENSO)			004	LD, LU, XU, XCD
4	9807B5615W	PLUG, SPARK (SKJ20DR-M11) (DENSO)		1022379	004	LD, LU, XU, XCD
4	9807B5615W	PLUG, SPARK (SKJ20DR-M11) (DENSO)	1022380		(4)	LD, LU, XU, XCD
4	9807B5615W	PLUG, SPARK (SKJ20DR-M11) (DENSO)		1008465	004	LD, LU, XU, XCD
4	9807B5617P	PLUG, SPARK (ZFR6K-11) (NGK)	1022380		004	LD, LU, XU, XCD
4	9807B5617W	PLUG, SPARK (IZFR6K-11) (NGK)	1022380		(4)	LD, LU, XU, XCD
4	9807B5617W	PLUG, SPARK (IZFR6K-11) (NGK)		1022379	004	LD, LU, XU, XCD

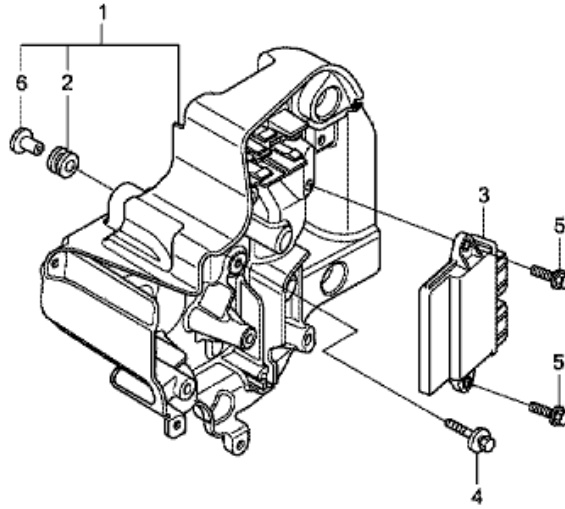
E-20-10 ELECTRONIC CONTROL UNIT (1)



Refnr	Parça Numarası	Açıklama	İlk numara	Son numara	Birim Adedi	Tipler
1	30421ZY6010	COVER, ELECTRONIC PARTS		1008465	001	LD, LU, XU, XCD
1	30421ZY6010	COVER, ELECTRONIC PARTS		1022379	001	LD, LU, XU, XCD
2	34750ZY6003	CONTROL UNIT, ELECTRONIC		1007085	001	LD, XCD
2	34750ZY6013	CONTROL UNIT, ELECTRONIC	1007086	1010953	001	LD, LU, XU, XCD
2	34750ZY6013	CONTROL UNIT, ELECTRONIC			001	LU, XU
2	34750ZY6023	CONTROL UNIT, ELECTRONIC	1010954	1022379	001	LD, LU, XU, XCD
2	34750ZY6023	CONTROL UNIT, ELECTRONIC	1010954		001	LD, LU, XU, XCD
3	90018ZW5000	BOLT, FLANGE, 6X20			002	LD, LU, XU, XCD
3	90018ZW5000	BOLT, FLANGE, 6X20		1022379	002	LD, LU, XU, XCD
4	90121ZV0010	BOLT, FLANGE, 6X25		1008968	004	LD, LU, XU, XCD
4	90121ZV0010	BOLT, FLANGE, 6X25		1002491	004	LD, LU, XU, XCD
5	90508ZY3000	WASHER, PLAIN, 6MM		1002491	004	LD, LU, XU, XCD
5	90508ZY3000	WASHER, PLAIN, 6MM		1008968	004	LD, LU, XU, XCD
6	90003ZW2000	BOLT-WASHER, 6X27 (CT200)		1008465	004	LD, LU, XU, XCD
6	90003ZW2000	BOLT-WASHER, 6X27 (CT200)	1008969	1022379	004	LD, LU, XU, XCD



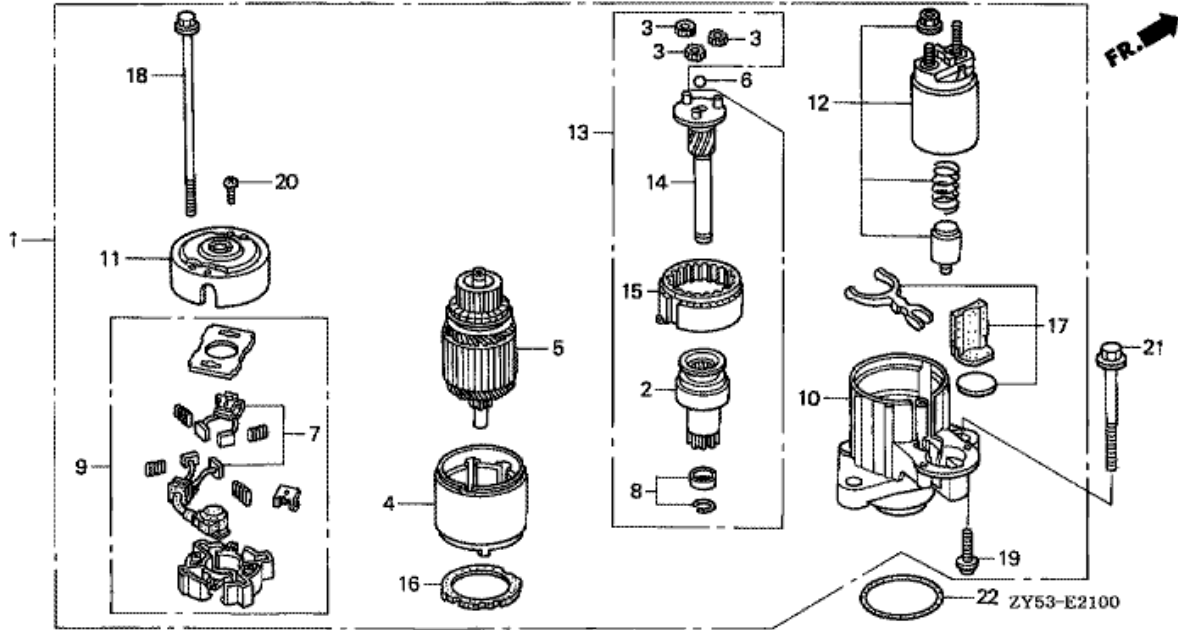
FR. →



ZY53E2011

Refnr	Parça Numarası	Açıklama	İlk numara	Son numara	Birim Adedi	Tipler
1	30410ZY6000	CASE ASSY., ELECTRONIC PARTS	1008466		001	LD, LU, XU, XCD
1	30410ZY6000	CASE ASSY., ELECTRONIC PARTS	1022380		001	LD, LU, XU, XCD
2	30419ZY9003	GROMMET, ELECTRONIC PARTS CASE	1008466		004	LD, LU, XU, XCD
2	30419ZY9003	GROMMET, ELECTRONIC PARTS CASE	1022380		004	LD, LU, XU, XCD
3	34750ZY6033	CONTROL UNIT, ELECTRONIC	1022380		001	LD, LU, XU, XCD
4	90003ZW2000	BOLT-WASHER, 6X27 (CT200)	1008466		004	LD, LU, XU, XCD
4	90003ZW2000	BOLT-WASHER, 6X27 (CT200)	1022380		004	LD, LU, XU, XCD
5	90018ZW5000	BOLT, FLANGE, 6X20	1008466		002	LD, LU, XU, XCD
5	90018ZW5000	BOLT, FLANGE, 6X20	1022380		002	LD, LU, XU, XCD
6	91553ZV5010	COLLAR, C.D.I. UNIT CASE	1008466		004	LD, LU, XU, XCD
6	91553ZV5010	COLLAR, C.D.I. UNIT CASE	1022380		004	LD, LU, XU, XCD

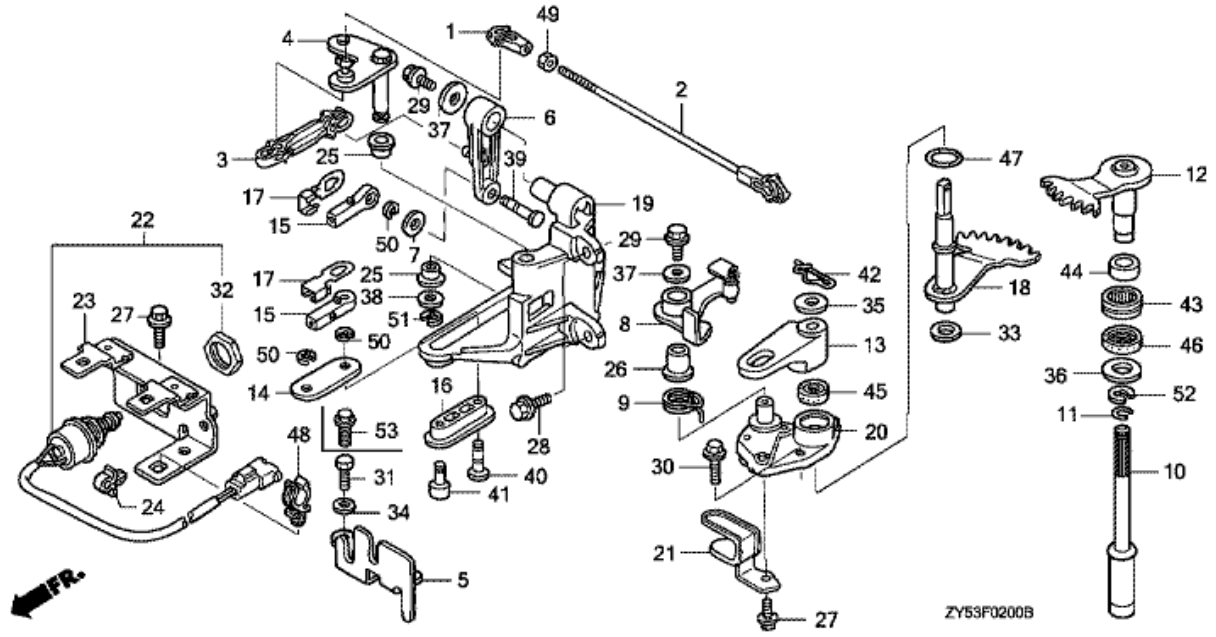
E-21 STARTER MOTOR



Refnr	Parça Numarası	Açıklama	İlk numara	Son numara	Birim Adedi	Tipler
1	31200ZY6003	MOTOR ASSY., STARTER			001	LD, LU, XU, XCD
2	31207ZY3003	CLUTCH COMP., OVERRUNNING			001	LD, LU, XU, XCD
3	31215PY3004	GEAR ASSY., PLANETARY			003	LD, LU, XU, XCD
4	31216ZY6003	YOKE COMP.			001	LD, LU, XU, XCD
5	31217ZW5003	ROTOR COMP.			001	LD, LU, XU, XCD
6	31218PY3004	BALL, STEEL			001	LD, LU, XU, XCD
7	31226ZY6003	BRUSH SET			001	LD, LU, XU, XCD
8	31229ZW1004	STOPPER SET, SLEEVE			001	LD, LU, XU, XCD
9	31231ZY6003	HOLDER COMP., BRUSH			001	LD, LU, XU, XCD
10	31235ZY6003	BRACKET, FR.			001	LD, LU, XU, XCD
11	31236ZY6003	BRACKET, RR.			001	LD, LU, XU, XCD
12	31240ZY6003	SWITCH ASSY., MAGNET			001	LD, LU, XU, XCD
13	31242ZY6003	SHAFT ASSY., CLUTCH			001	LD, LU, XU, XCD
14	31246ZY3003	SHAFT ASSY., GEAR			001	LD, LU, XU, XCD
15	31247ZW1004	GEAR ASSY., INTERNAL			001	LD, LU, XU, XCD
16	31249ZW1004	PACKING			001	LD, LU, XU, XCD
17	31250ZW1004	LEVER SET			001	LD, LU, XU, XCD
18	31261ZW1004	BOLT A, THROUGH			002	LD, LU, XU, XCD
19	90106ZW1004	SCREW, PAN, 6X22 (SPECIAL)			002	LD, LU, XU, XCD
20	90107ZW1004	SCREW, PAN, 5X8			002	LD, LU, XU, XCD

21	90164ZW4000	BOLT, FLANGE, 10X90			002	LD, LU, XU, XCD
22	91303ZY3000	O-RING, 59.4X3.1			001	LD, LU, XU, XCD

F-2 SHIFT SHAFT

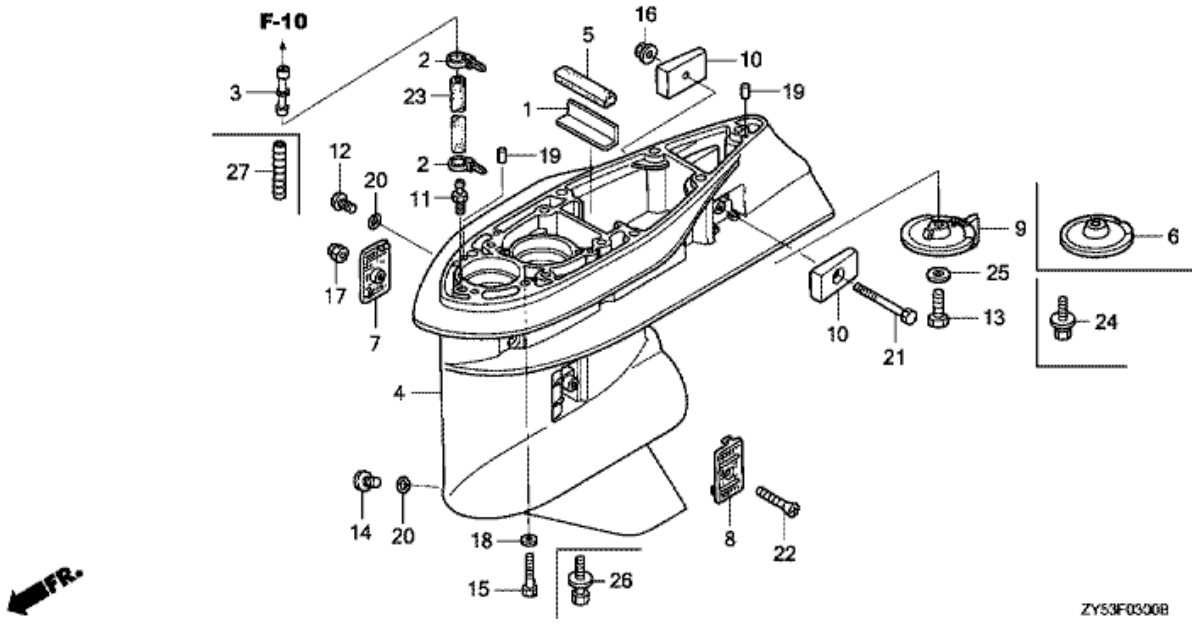


Refnr	Parça Numarası	Açıklama	İlk numara	Son numara	Birim Adedi	Tipler
1	17838ZV5000	LINKAGE, PIVOT			001	LD, LU, XU, XCD
2	17840ZY6000	ROD COMP., THROTTLE			001	LD, LU, XU, XCD
3	17845ZY6000	LINK, THROTTLE			001	LD, LU, XU, XCD
4	17860ZY6000	PLATE COMP., THROTTLE			001	LD, LU, XU, XCD
5	17877ZY6000	PLATE, REMOTE CONTROL CABLE		1010534	001	LD, LU, XU
5	17877ZY6000	PLATE, REMOTE CONTROL CABLE			001	LD, LU, XU, XCD
5	17877ZY6000	PLATE, REMOTE CONTROL CABLE		1001422	001	XCD
5	17877ZY6010	PLATE, REMOTE CONTROL CABLE	1001423		001	LD, LU, XU, XCD
5	17877ZY6010	PLATE, REMOTE CONTROL CABLE	1010535		001	LD, LU, XU
6	17931ZY6000	ARM, THROTTLE			001	LD, LU, XU, XCD
7	17936921000	WASHER, PIVOT			001	LD, LU, XU, XCD
8	24166ZY6000	ARM COMP., CLICK			001	LD, LU, XU, XCD
9	24218ZY6000	SPRING, CLICK			001	LD, LU, XU, XCD
10	24320ZY6000	ROD COMP. A, SHIFT (L)			001	LD, LU
10	24320ZY6610	ROD COMP. A, SHIFT (XL)			001	XU, XCD
11	24327ZW1000	RING, STOPPER			001	LD, LU, XU, XCD
12	24610ZY6000	SHAFT COMP. A, SHIFT			001	LD, LU, XU, XCD
13	24612ZY6000	ARM, SHIFT		1000078	001	LD, LU, XU, XCD
13	24612ZY6000	ARM, SHIFT		1005702	001	LD, LU, XU
13	24612ZY6010	ARM, SHIFT	1005703	1007481	001	LD, LU, XU, XCD
13	24612ZY6010	ARM, SHIFT	1000079	1000955	001	XCD
13	24612ZY6020	ARM, SHIFT	1007482		001	LD, LU, XU
13	24612ZY6020	ARM, SHIFT	1000956		001	XCD
14	24614ZY6000	PLATE, SHIFT PIVOT			001	LD, LU, XU, XCD

15	24618ZY3000	PIVOT, SHIFT			002	LD, LU, XU, XCD
16	24618ZY6000	PIVOT, SHIFT SLIDE			001	LD, LU, XU, XCD
17	24619ZY3000	PLATE, LOCK			002	LD, LU, XU, XCD
18	24620ZY6000	SHAFT COMP. B, SHIFT			001	LD, LU, XU, XCD
19	24628ZY6000	BRACKET, SHIFT LINK	1000896		001	LD, LU, XU, XCD
19	24628ZY6000	BRACKET, SHIFT LINK	1006732		001	LD, LU, XU
19	24628ZY6000	BRACKET, SHIFT LINK	1000154		001	LD, LU, XU, XCD
19	24628ZY6000ZA	BRACKET, SHIFT LINK *NH8 *		1006731	001	LD, LU, XU, XCD
19	24628ZY6000ZA	BRACKET, SHIFT LINK *NH8 *		1000895	001	XCD
20	24629ZY6000ZA	HOLDER, SEAL *NH8 *			001	LD, LU, XU, XCD
21	32418ZY6000	BRACKET A, CABLE			001	LD, LU, XU, XCD
22	35470ZY3003	SWITCH ASSY., NEUTRAL			001	LD, LU, XU, XCD
23	35475ZY6000	BRACKET, NEUTRAL SWITCH			001	LD, LU, XU, XCD
24	46391VM0003	CLIP, BRAKE PIPE (A)			001	LD, LU, XU, XCD
25	63205ZY3000	BUSH A, COVER LOCK			002	LD, LU, XU, XCD
26	75538763C01	BUSH, BLADE BRAKE			001	LD, LU, XU, XCD
27	90021ZY3000	BOLT, FLANGE, 6X14			002	LD, LU, XU, XCD
28	90028ZY3000	BOLT, FLANGE, 6X18			002	LD, LU, XU, XCD
29	90102ZW9000	BOLT, FLANGE, 6X12			002	LD, LU, XU, XCD
30	90105ZW9000	BOLT, FLANGE, 6X20			002	LD, LU, XU, XCD
31	90127ZV4000	BOLT, HEX., 6X16		1010487	001	LD, LU, XU
31	90127ZV4000	BOLT, HEX., 6X16			001	LD, LU, XU, XCD
31	90127ZV4000	BOLT, HEX., 6X16		1001414	001	XCD
32	90302ZV5003	NUT, HEX., 20MM			001	LD, LU, XU, XCD
33	90501ZW5000	WASHER, SHIFT SHAFT			001	LD, LU, XU, XCD
34	90506ZV4000	WASHER, PLAIN, 6MM		1010487	001	LD, LU, XU
34	90506ZV4000	WASHER, PLAIN, 6MM		1001414	001	XCD
34	90506ZV4000	WASHER, PLAIN, 6MM			001	LD, LU, XU, XCD
35	90507ZY3000	WASHER, PLAIN, 12MM			001	LD, LU, XU, XCD
36	90508ZV7000	WASHER			001	LD, LU, XU, XCD
37	90512ZV4000	WASHER, PLAIN, 6MM			002	LD, LU, XU, XCD
38	90518921000	WASHER, PLAIN, 8MM			001	LD, LU, XU, XCD
39	90751ZY3000	PIN, LINK			001	LD, LU, XU, XCD
40	90752ZY6000	PIN, SHIFT LINK			001	LD, LU, XU, XCD
41	90753ZY6000	PIN, LINK			001	LD, LU, XU, XCD
42	90755ZY6003	PIN, SNAP, 12MM			001	LD, LU, XU, XCD
43	91001ZY3003	BEARING, NEEDLE, 20X28X13 (SOLID)			001	LD, LU, XU, XCD
44	91152ZY3003	RING, INNER (15X20X23)			001	LD, LU, XU, XCD

45	91251ZW5003	OIL SEAL, 14X26X6			001	LD, LU, XU, XCD
46	91255ZY3003	SEAL, WATER (14X26X8)			001	LD, LU, XU, XCD
47	91321P0X003	O-RING, 25X2.4 (NOK)			001	LD, LU, XU, XCD
48	91549SV1L01	HOLDER, DRAIN TUBE			001	LD, LU, XU, XCD
49	94001054900S	NUT, HEX., 5MM			001	LD, LU, XU, XCD
50	9454004029	E-RING, 4MM			003	LD, LU, XU, XCD
51	9454006029	E-RING, 6MM			001	LD, LU, XU, XCD
52	9454012029	E-RING, 12MM			001	LD, LU, XU, XCD
53	90017ZY3000	BOLT, FLANGE, 6X16	1000314		001	LD, LU, XU, XCD
53	90017ZY3000	BOLT, FLANGE, 6X16	1010488		001	LD, LU, XU
53	90017ZY3000	BOLT, FLANGE, 6X16	1001415		001	XCD

F-3 GEAR CASE

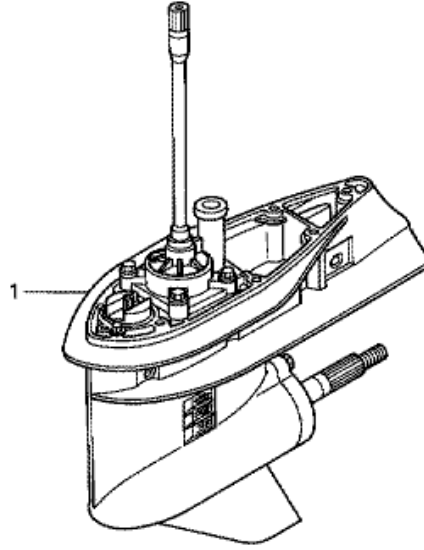


Refnr	Parça Numarası	Açıklama	İlk numara	Son numara	Birim Adedi	Tipler
1	19286ZW1B00	PLATE, RUBBER SETTING			001	LD, LU, XU, XCD
2	32161KM3003	BAND, WIRE			002	LD, LU, XU, XCD
3	38562663920	JOINT B, WASHER TUBE (MITSUBA)			001	LD, LU, XU, XCD
3	38562663920	JOINT B, WASHER TUBE (MITSUBA)		1010487	001	LD, LU, XU
3	38562663920	JOINT B, WASHER TUBE (MITSUBA)		1001414	001	XCD
4	41101ZY6000ZA	CASE, GEAR *NH282MU *		1000068	001	LD, XCD
4	41101ZY6000ZA	CASE, GEAR *NH282MU *		1004562	001	LD
4	41101ZY6000ZA	CASE, GEAR *NH282MU *		1000608	001	XCD
4	41101ZY6010ZA	CASE, GEAR *NH282MU *	1000069	1000090	001	LD, LU, XU, XCD
4	41101ZY6010ZA	CASE, GEAR *NH282MU *	1000609	1000695	001	XCD
4	41101ZY6010ZA	CASE, GEAR *NH282MU *	1004563	1005254	001	LD
4	41101ZY6010ZA	CASE, GEAR *NH282MU *		1005254	001	LU
4	41101ZY6010ZA	CASE, GEAR *NH282MU *		1005258	001	XU
4	41101ZY6020ZA	CASE, GEAR *NH282MU *	1001157		001	LD, LU, XU, XCD
4	41101ZY6020ZA	CASE, GEAR *NH282MU *	1005259		001	XU
4	41101ZY6020ZA	CASE, GEAR *NH282MU *	1000696		001	XCD
4	41101ZY6020ZA	CASE, GEAR *NH282MU *	1005255		001	LD, LU
5	41102ZW1B00	GROMMET, GEAR CASE			001	LD, LU, XU, XCD
6	41102ZY3710ZA	COVER, GEAR CASE *NH282MU *			001	XCD
7	41104ZY6000	SCREEN, R. WATER			001	LD, LU, XU, XCD
8	41105ZY6000	SCREEN, L. WATER			001	LD, LU, XU, XCD
9	41107ZY3000ZA	TAB, TRIM *NH282MU *			001	LD, LU, XU
10	41109ZW1B00	METAL COMP., ANODE			002	LD, LU, XU, XCD
11	41172ZV5000	NIPPLE, SENSOR			001	LD, LU, XU, XCD
12	90101ZW9003	BOLT, OIL CHECK			001	LD, LU, XU, XCD
13	90103ZY3000	BOLT, HEX., 10X32			001	LD, LU, XU, XCD
13	90103ZY3000	BOLT, HEX., 10X32		1010487	001	LD, LU, XU

13	90103ZY3000	BOLT, HEX., 10X32		1001414	001	XCD
14	90120ZY3000	BOLT, DRAIN PLUG			001	LD, LU, XU, XCD
15	90123ZV5010	BOLT, HEX., 10X40			007	LD, LU, XU, XCD
15	90123ZV5010	BOLT, HEX., 10X40		1001414	007	XCD
15	90123ZV5010	BOLT, HEX., 10X40		1010487	007	LD, LU, XU
16	90205PP9020	NUT, SELF-LOCK, 6MM			001	LD, LU, XU, XCD
16	90205PP9020	NUT, SELF-LOCK, 6MM		1009467	001	LD, LU, XU
16	90205PP9020	NUT, SELF-LOCK, 6MM		1001281	001	XCD
16	90205ZY1000	NUT, SELF-LOCK, 6MM	1009468		001	LD, LU, XU, XCD
16	90205ZY1000	NUT, SELF-LOCK, 6MM	1001282		001	XCD
17	90302ZV4000	NUT, SELF-LOCK, 5MM			001	LD, LU, XU, XCD
18	90563ZV5000	WASHER, PLAIN, 10MM		1010487	007	LD, LU, XU
18	90563ZV5000	WASHER, PLAIN, 10MM			007	LD, LU, XU, XCD
18	90563ZV5000	WASHER, PLAIN, 10MM		1000313	007	LD, LU, XU, XCD
18	90563ZV5000	WASHER, PLAIN, 10MM		1001414	007	XCD
19	90756ZV5000	DOWEL PIN, 6X10			002	LD, LU, XU, XCD
20	91301216000	O-RING, 5.5X1.5		1000068	002	LD, XCD
20	91301216000	O-RING, 5.5X1.5		1000608	002	XCD
20	91301216000	O-RING, 5.5X1.5		1004562	002	LD
20	91301ZW4003	O-RING, 6.9X1.45	1004563		002	LD, LU, XU, XCD
20	91301ZW4003	O-RING, 6.9X1.45			002	LU, XU
20	91301ZW4003	O-RING, 6.9X1.45	1000609		002	XCD
21	92101060504J	BOLT, HEX., 6X50			001	LD, LU, XU, XCD
22	93700050504J	SCREW, OVAL, 5X50			001	LD, LU, XU, XCD
23	950055014030	TUBE, 5X140 (95005-50001-30M)			001	LD, LU
23	950055027030	TUBE, 5X270 (95005-50001-30M)			001	XU, XCD
24	90103ZY6000	BOLT-WASHER, 10X32	1000314		001	LD, LU, XU, XCD
24	90103ZY6000	BOLT-WASHER, 10X32	1001415		001	LD, LU, XU, XCD
24	90103ZY6000	BOLT-WASHER, 10X32	1010488		001	LD, LU, XU
25	90563ZV5000	WASHER, PLAIN, 10MM			001	LD, LU, XU, XCD
25	90563ZV5000	WASHER, PLAIN, 10MM		1010487	001	LD, LU, XU
25	90563ZV5000	WASHER, PLAIN, 10MM		1001414	001	XCD
26	90123ZY6000	BOLT-WASHER, 10X40	1000314		007	LD, LU, XU, XCD
26	90123ZY6000	BOLT-WASHER, 10X40	1001415		007	XCD
26	90123ZY6000	BOLT-WASHER, 10X40	1010488		007	LD, LU, XU
27	41171ZV5000	END, NIPPLE	1001415		001	XCD
27	41171ZV5000	END, NIPPLE	1000314		001	LD, LU, XU, XCD
27	41171ZV5000	END, NIPPLE	1010488		001	LD, LU, XU



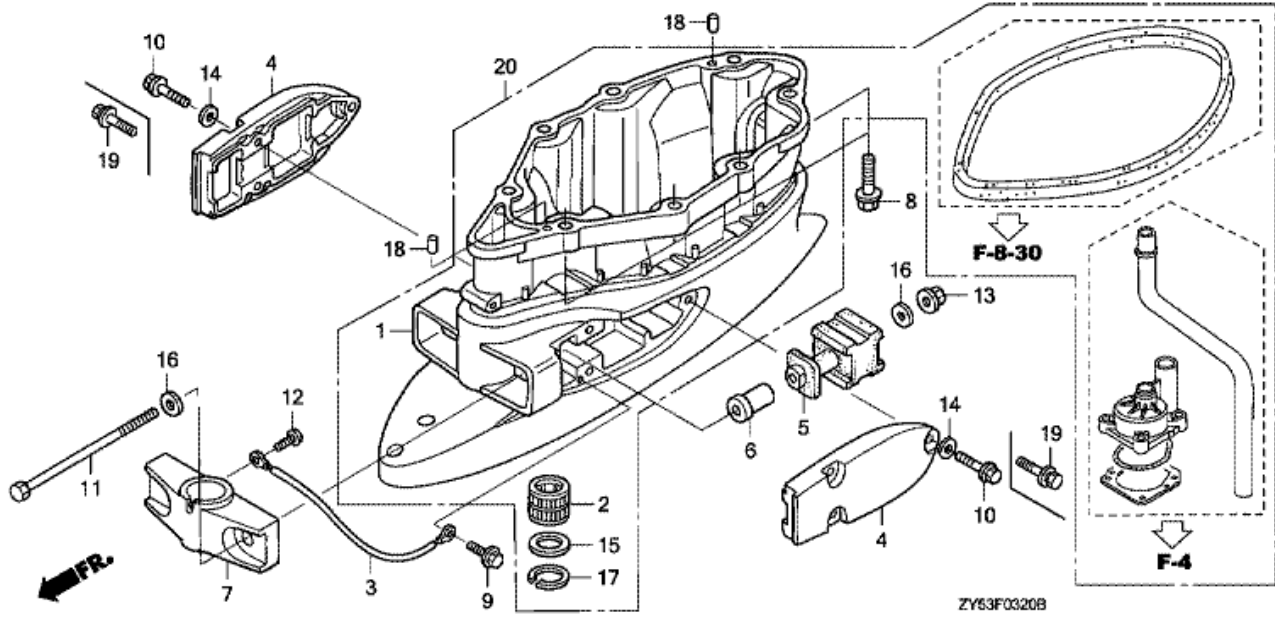
F-3-10 GEAR CASE ASSY.



ZY53-F0310

Refnr	Parça Numarası	Açıklama	İlk numara	Son numara	Birim Adedi	Tipler
1	41100ZY6000ZA	CASE ASSY., GEAR (L) *NH282MU *		1001007	001	LD
1	41100ZY6000ZA	CASE ASSY., GEAR (L) *NH282MU *		1004562	001	LD
1	41100ZY6010ZA	CASE ASSY., GEAR (L) *NH282MU *		1005254	001	LU
1	41100ZY6010ZA	CASE ASSY., GEAR (L) *NH282MU *	1004563	1005254	001	LD
1	41100ZY6010ZA	CASE ASSY., GEAR (L) *NH282MU *		1001155	001	LD, LU
1	41100ZY6020ZA	CASE ASSY., GEAR (L) *NH282MU *	1005255	1009895	001	LD, LU
1	41100ZY6030ZA	CASE ASSY., GEAR (L) *NH282MU*	1009896		001	LD, LU
1	41100ZY6611ZA	CASE ASSY., GEAR (XL) *NH282MU *	1004563	1005258	001	XU
1	41100ZY6611ZA	CASE ASSY., GEAR (XL) *NH282MU *		1005258	001	XU
1	41100ZY6611ZA	CASE ASSY., GEAR (XL) *NH282MU *		1001156	001	XU
1	41100ZY6612ZA	CASE ASSY., GEAR (XL) *NH282MU *	1005259	1009901	001	XU
1	41100ZY6613ZA	CASE ASSY., GEAR (XL) *NH282MU*	1009902		001	XU
1	41100ZY6710ZA	CASE ASSY., GEAR (XL) *NH282MU *		1000608	001	XCD
1	41100ZY6711ZA	CASE ASSY., GEAR (XL) *NH282MU *		1000090	001	XCD
1	41100ZY6711ZA	CASE ASSY., GEAR (XL) *NH282MU *	1000609	1000695	001	XCD
1	41100ZY6712ZA	CASE ASSY., GEAR (XL) *NH282MU *	1000696	1001354	001	XCD
1	41100ZY6713ZA	CASE ASSY., GEAR (XL) *NH282MU*	1000282		001	XCD
1	41100ZY6713ZA	CASE ASSY., GEAR (XL) *NH282MU*	1001355		001	XCD

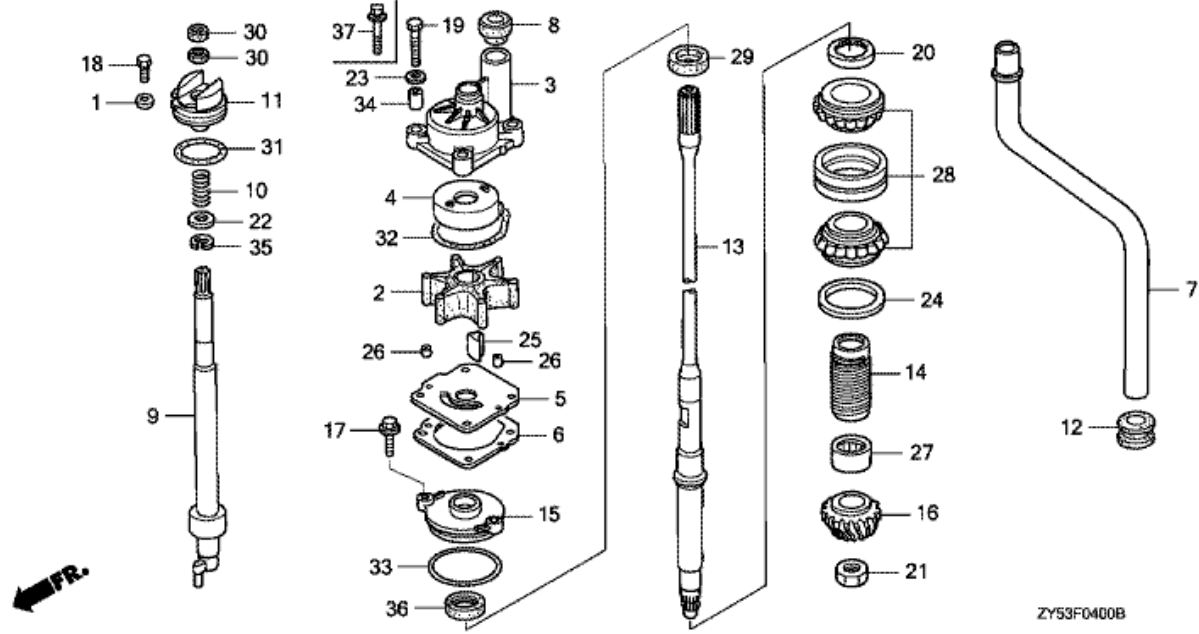
F-3-20 EXTENSION CASE



Refnr	Parça Numarası	Açıklama	İlk numara	Son numara	Birim Adedi	Tipler
1	40201ZY6000ZA	CASE, EXTENSION (L) *NH282MU *			001	LD, LU
1	40201ZY6610ZA	CASE, EXTENSION (XL) *NH282MU *		1000281	001	XU, XCD
1	40201ZY6610ZA	CASE, EXTENSION (XL) *NH282MU *		1009920	001	XU
1	40201ZY6610ZA	CASE, EXTENSION (XL) *NH282MU *		1001354	001	XCD
1	40201ZY6611ZA	CASE, EXTENSION (XL) *NH282MU*	1009921		001	XU, XCD
1	40201ZY6611ZA	CASE, EXTENSION (XL) *NH282MU*	1001355		001	XCD
2	40210ZW1710	BUSH COMP., VERTICAL SHAFT			001	XU, XCD
3	40219ZY6003	WIRE, LEAD (1.2X137MM)		1000737	001	XCD
3	40219ZY6003	WIRE, LEAD (1.2X137MM)		1005480	001	LD, LU, XU
3	40219ZY6003	WIRE, LEAD (1.2X137MM)		1000100	001	LD, LU, XU, XCD
3	40219ZY6013	WIRE, LEAD (1.5X137MM)	1005481	1006180	001	LD, LU, XU
3	40219ZY6013	WIRE, LEAD (1.5X137MM)	1000738	1000827	001	XCD
3	40219ZY6023	WIRE, LEAD (1.5X137MM)	1001739		001	LD, LU, XU, XCD
3	40219ZY6023	WIRE, LEAD (1.5X137MM)	1000828		001	XCD
3	40219ZY6023	WIRE, LEAD (1.5X137MM)	1006181		001	LD, LU, XU
4	50111ZW1010ZA	HOUSING, LOWER MOUNTING *NH282MU *			002	LD, LU, XU, XCD
5	50155ZW5000	RUBBER COMP., LOWER MOUNT			002	LD, LU, XU, XCD
6	50156ZW1010	COLLAR, LOWER MOUNTING			002	LD, LU, XU, XCD
7	50161ZW1020ZA	HOUSING, LOWER CENTER MOUNTING *NH282MU*			001	LD, LU, XU, XCD
8	90002ZY6000	BOLT, FLANGE, 10X40			008	LD, LU, XU, XCD
9	90103ZW9000	BOLT, FLANGE, 6X12		1010024	001	LD, LU, XU
9	90103ZW9000	BOLT, FLANGE, 6X12			001	LD, LU, XU, XCD
9	90103ZW9000	BOLT, FLANGE, 6X12		1001369	001	XCD
9	90103ZW9010	BOLT, FLANGE, 6X12	1010025		001	LD, LU, XU, XCD
9	90103ZW9010	BOLT, FLANGE, 6X12	1001370		001	XCD
10	90106ZY6000	BOLT, HEX., 8X30		1000147	006	LD, LU, XU, XCD
10	90106ZY6000	BOLT, HEX., 8X30		1000862	006	XCD
10	90106ZY6000	BOLT, HEX., 8X30		1006411	006	LD, LU, XU

11	90118ZW1000	BOLT, HEX., 12X225			002	LD, LU, XU, XCD
11	90118ZW1000	BOLT, HEX., 12X225		1010487	002	LD, LU, XU
11	90118ZW1000	BOLT, HEX., 12X225		1001414	002	XCD
11	90118ZY6000	BOLT, HEX., 12X225	1010488		002	LD, LU, XU, XCD
11	90118ZY6000	BOLT, HEX., 12X225	1001415		002	XCD
12	90119ZV5000	SCREW, PAN, 6X8			001	LD, LU, XU, XCD
13	90302ZW5003	NUT, FLANGE, 12MM			002	LD, LU, XU, XCD
14	90401ZW1000	WASHER, PLAIN, 8MM		1006411	006	LD, LU, XU
14	90401ZW1000	WASHER, PLAIN, 8MM		1000147	006	LD, LU, XU, XCD
14	90401ZW1000	WASHER, PLAIN, 8MM		1000862	006	XCD
15	90501ZW1710	WASHER, 26MM			001	XU, XCD
16	90559ZW1000	WASHER, PLAIN, 12MM			004	LD, LU, XU, XCD
17	90651ZW1710	CIRCLIP, INTERNAL, 40			001	XU, XCD
18	90756ZV5000	DOWEL PIN, 6X10			002	LD, LU, XU, XCD
19	90105ZY6000	BOLT-WASHER, 8X30	1000148		006	LD, LU, XU, XCD
19	90105ZY6000	BOLT-WASHER, 8X30	1006412		006	LD, LU, XU
19	90105ZY6000	BOLT-WASHER, 8X30	1000863		006	XCD
20	04401ZY6610ZA	CASE KIT, EXTENSION (XL) *NH282MU*		1001354	(1)	XCD
20	04401ZY6610ZA	CASE KIT, EXTENSION (XL) *NH282MU*		1009920	(1)	XU
20	04401ZY6610ZA	CASE KIT, EXTENSION (XL) *NH282MU*		1000281	(1)	XU, XCD

F-4 WATER PUMP/VERTICAL SHAFT



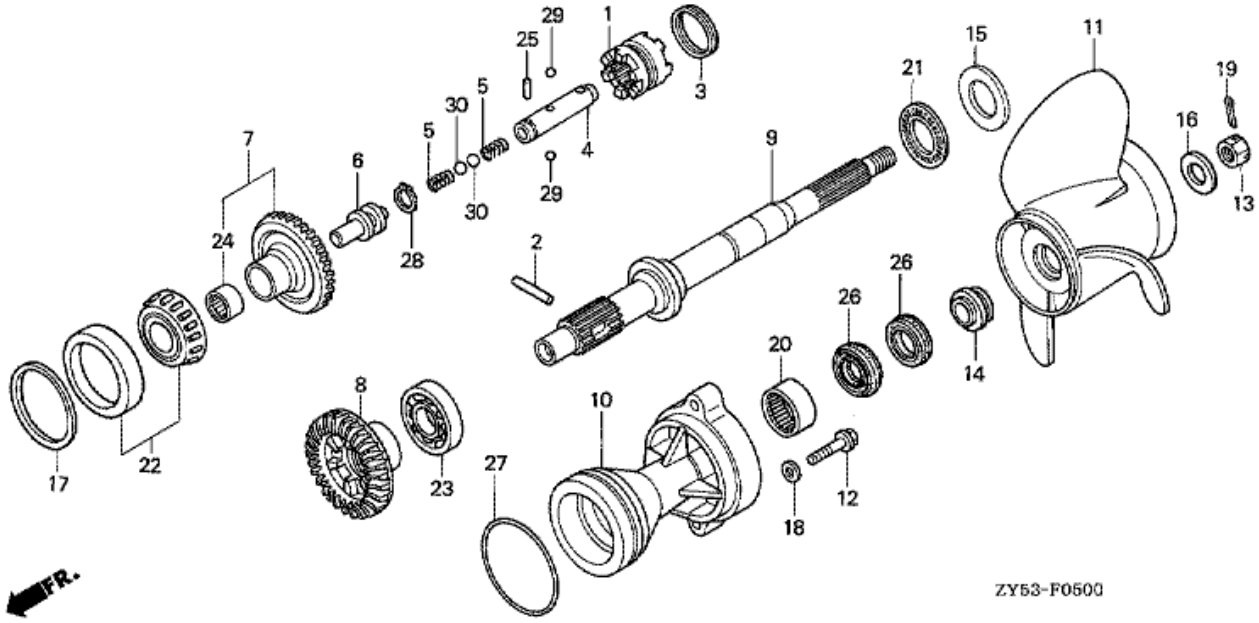
ZY53F0400B

Refnr	Parça Numarası	Açıklama	İlk numara	Son numara	Birim Adedi	Tipler
1	17936921000	WASHER, PIVOT			001	LD, LU, XU, XCD
2	19210ZW1B04	IMPELLER, PUMP			001	LD, LU, XU, XCD
3	19221ZY6000	HOUSING, IMPELLER			001	LD, LU, XU, XCD
3	19221ZY6000	HOUSING, IMPELLER		1001354	001	XCD
3	19221ZY6000	HOUSING, IMPELLER		1009895	001	LD, LU, XU
3	19221ZY6A00	HOUSING, IMPELLER	1009896		001	LD, LU, XU, XCD
3	19221ZY6A00	HOUSING, IMPELLER	1001355		001	XCD
4	19223ZW1B00	LINER, PUMP			001	LD, LU, XU, XCD
5	19231ZY6000	COVER, IMPELLER			001	LD, LU, XU, XCD
6	19234ZY6000	GASKET B, IMPELLER			001	LD, LU, XU, XCD
7	19251ZY6000	TUBE, WATER (L)			001	LD, LU
7	19251ZY6610	TUBE, WATER (XL)		1000281	001	XU, XCD
7	19251ZY6610	TUBE, WATER (XL)		1009920	001	XU
7	19251ZY6610	TUBE, WATER (XL)		1001354	001	XCD
7	19251ZY6611	TUBE, WATER (XL)	1009921		001	XU, XCD
7	19251ZY6611	TUBE, WATER (XL)	1001355		001	XU, XCD
8	19253ZW1B01	RING, WATER TUBE SEAL			001	LD, LU, XU, XCD
9	24310ZY6000	ROD COMP., SHIFT			001	LD, LU, XU
9	24310ZY6710	ROD COMP., SHIFT (COUNTER ROTATION)			001	XCD
10	24318ZY3000	SPRING, SHIFT ROD			001	LD, LU, XU, XCD
11	24343ZY6000	HOLDER, SHIFT ROD			001	LD, LU, XU, XCD
12	40204ZW1000	GROMMET, EXTENSION CASE			001	LD, LU, XU, XCD
13	41112ZY6000	SHAFT, VERTICAL (L)			001	LD, LU
13	41112ZY6000	SHAFT, VERTICAL (L)		1007793	001	LD, LU
13	41112ZY6010	SHAFT, VERTICAL (L)	1000212		001	LD, LU
13	41112ZY6010	SHAFT, VERTICAL (L)	1007794		001	LD, LU
13	41112ZY6610	SHAFT, VERTICAL (XL)		1007809	001	XU, XCD

13	41112ZY6610	SHAFT, VERTICAL (XL)		1000982	001	XCD
13	41112ZY6611	SHAFT, VERTICAL (XL)	1007810		001	XU, XCD
13	41112ZY6611	SHAFT, VERTICAL (XL)	1000983		001	XCD
13	41112ZY6611	SHAFT, VERTICAL (XL)	1000182		001	XU, XCD
14	41116ZW1B00	SLINGER, OIL			001	LD, LU, XU, XCD
15	41117ZY6000	HOUSING, WATER SEAL		1009467	001	LD, LU, XU
15	41117ZY6000	HOUSING, WATER SEAL			001	LD, LU, XU, XCD
15	41117ZY6000	HOUSING, WATER SEAL		1001281	001	XCD
15	41117ZY6010	HOUSING, WATER SEAL	1009468	1009924	001	LD, LU, XU
15	41117ZY6010	HOUSING, WATER SEAL	1001282	1001356	001	XCD
15	41117ZZ3000	HOUSING, WATER SEAL	1009925		001	LD, LU, XU
15	41117ZZ3000	HOUSING, WATER SEAL	1001357		001	XCD
16	41131ZY6000	GEAR, PINION			001	LD, LU, XU, XCD
17	90105ZW9000	BOLT, FLANGE, 6X20			002	LD, LU, XU, XCD
18	90105881000	BOLT, HEX., 6X12			001	LD, LU, XU, XCD
19	90116881000	BOLT, HEX., 8X40			004	LD, LU, XU, XCD
19	90116881000	BOLT, HEX., 8X40		1010487	004	LD, LU, XU
19	90116881000	BOLT, HEX., 8X40		1001414	004	XCD
20	90242ZW1000	NUT, LOCK, 64MM			001	LD, LU, XU, XCD
21	90303ZW5000	NUT, HEX., 18MM			001	LD, LU, XU, XCD
22	90472723000	WASHER, PLAIN, 12MM			001	LD, LU, XU, XCD
23	90514921000	WASHER, 8MM			004	LD, LU, XU, XCD
23	90514921000	WASHER, 8MM		1010487	004	LD, LU, XU
23	90514921000	WASHER, 8MM		1001414	004	XCD
24	90518ZW1B00	SHIM A, GEAR (0.10)			001	LD, LU, XU, XCD
24	90519ZW1B00	SHIM B, GEAR (0.15)			001	LD, LU, XU, XCD
24	90520ZW1B00	SHIM C, GEAR (0.30)			001	LD, LU, XU, XCD
24	90521ZW1B00	SHIM D, GEAR (0.50)			001	LD, LU, XU, XCD
25	90752ZW1B02	KEY, WOODRUFF			001	LD, LU, XU, XCD
26	90756ZV5000	DOWEL PIN, 6X10			002	LD, LU, XU, XCD
27	91052ZY6003	BEARING, NEEDLE, 28.575X44.45X31.75			001	LD, LU, XU, XCD
28	91054ZW1B31	BEARING, TAPER ROLLER, 30X62X40			001	LD, LU, XU, XCD
29	91251ZW1B04	SEAL, WATER, 23X36X6			001	LD, LU, XU, XCD
29	91251ZW1B04	SEAL, WATER, 23X36X6		1000313	001	LD, LU, XU, XCD
29	91251ZW1B04	SEAL, WATER, 23X36X6		1001414	001	XCD
29	91251ZW1B04	SEAL, WATER, 23X36X6		1010487	001	LD, LU, XU
29	91253ZZ3003	SEAL, WATER, 23X36X6	1010488		001	LD, LU, XU, XCD
29	91253ZZ3003	SEAL, WATER, 23X36X6	1001415		001	XCD
30	91254ZY3003	SEAL, WATER, 12X21X6			002	LD, LU, XU, XCD
31	91351ZY6003	O-RING, 55.6X3.5			001	LD, LU, XU, XCD
32	91356ZW1B00	O-RING, WATER PUMP			001	LD, LU, XU, XCD
33	91359MB0000	O-RING, 58.5X3.5			001	LD, LU, XU, XCD
34	91552ZY6000	COLLAR, DISTANCE			004	LD, LU, XU, XCD

35	9454010019	E-RING, 10MM			001	LD, LU, XU, XCD
36	91251ZW1B04	SEAL, WATER, 23X36X6			001	LD, LU, XU, XCD
36	91251ZW1B04	SEAL, WATER, 23X36X6		1001281	001	XCD
36	91251ZW1B04	SEAL, WATER, 23X36X6		1009467	001	LD, LU, XU
36	91251ZY6003	SEAL, WATER, 23X36X8	1001282		001	LD, LU, XU, XCD
36	91251ZY6003	SEAL, WATER, 23X36X8	1009468		001	LD, LU, XU
37	90116ZY6000	BOLT-WASHER, 8X40	1000314		004	LD, LU, XU, XCD
37	90116ZY6000	BOLT-WASHER, 8X40	1010488		004	LD, LU, XU
37	90116ZY6000	BOLT-WASHER, 8X40	1001415		004	XCD

F-5 PROPELLER SHAFT/PROPELLER (LD/LU/XD/XU)



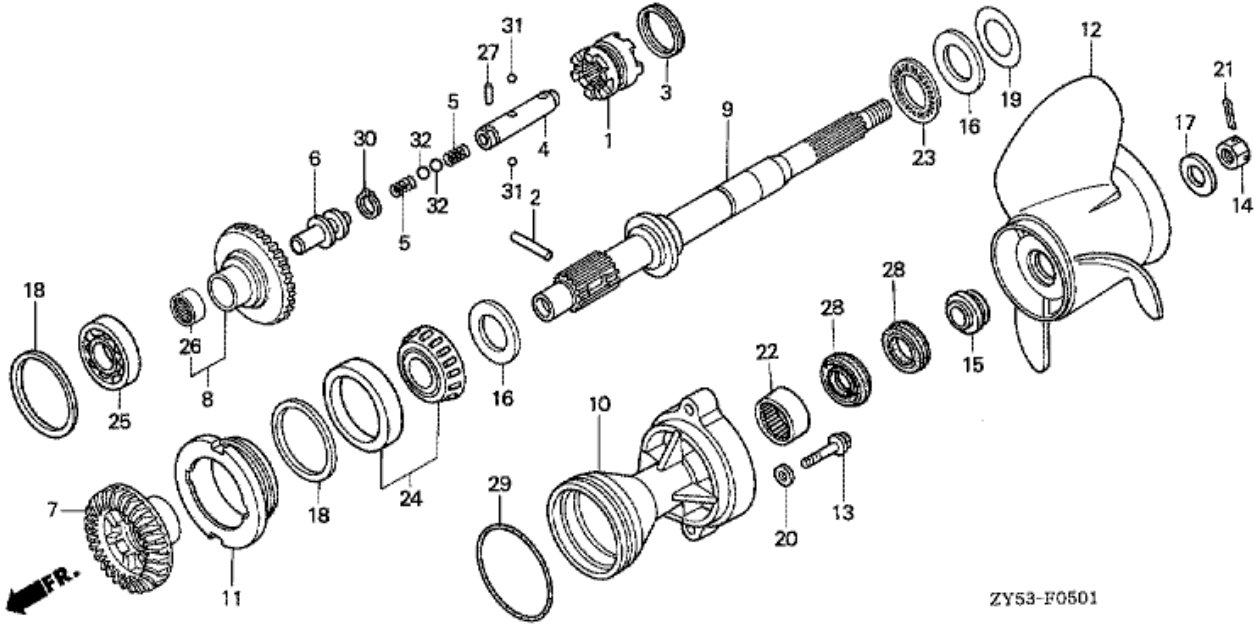
ZY53-F0500

Refnr	Parça Numarası	Açıklama	İlk numara	Son numara	Birim Adedi	Tipler
1	24101ZY6000	SHIFTER, CLUTCH			001	LD, LU, XU
2	24102ZW1B00	PIN, SHIFTER, 8X47			001	LD, LU, XU
3	24103ZW1B00	RING, CROSS PIN			001	LD, LU, XU
4	24122ZY6000	SLIDER, SHIFT			001	LD, LU, XU
5	24123ZY6000	SPRING, SHIFT			002	LD, LU, XU
6	24124ZY6000	PLATE, SHIFT			001	LD, LU, XU
7	41140ZY6000	GEAR COMP., BEVEL (FORWARD 30T)			001	LD, LU, XU
8	41151ZY6000	GEAR, BEVEL (RVS. 30T)			001	LD, LU, XU
9	41161ZY6000	SHAFT, PROPELLER			001	LD, LU, XU
10	41201ZY6000ZA	HOLDER, PROPELLER SHAFT *NH282MU *			001	LD, LU, XU
11	58130ZY3T00	PROPELLER COMP., THREE BLADES (14-1/2X15) (SUS)			(1)	LD, LU, XU
11	58130ZY3T10	PROPELLER COMP., THREE BLADES (14-1/4X17) (SUS)			(1)	LD, LU, XU
11	58130ZY3T20	PROPELLER COMP., THREE BLADES (14X19) (SUS)			(1)	LD, LU, XU
11	58130ZY3T30	PROPELLER COMP., THREE BLADES (14X21) (SUS)			(1)	LD, LU, XU
11	58130ZY3T40	PROPELLER COMP., THREE BLADES (14-1/2X23) (SUS)			(1)	LD, LU, XU
11	58130ZY3T50	PROPELLER COMP., THREE BLADES (14X25) (SUS)			(1)	LD, LU, XU
11	58130ZY3V00	PROPELLER COMP., THREE BLADES (15-1/2X13) (AL)		1001892	(1)	LD, LU, XU
11	58130ZY3V00	PROPELLER COMP., THREE BLADES (15-1/2X13) (AL)		1007473	(1)	LD, LU, XU
11	58130ZY3V00ZA	PROPELLER COMP., THREE BLADES (15-1/2X13) (AL) *NH283 *	1007474		(1)	LD, LU, XU
11	58130ZY3V10	PROPELLER COMP., THREE BLADES (15-1/4X15) (AL)		1007473	(1)	LD, LU, XU
11	58130ZY3V10ZA	PROPELLER COMP., THREE BLADES (15-1/4X15) (AL) *NH283*	1001893		(1)	LD, LU, XU
11	58130ZY3V10ZA	PROPELLER COMP., THREE BLADES (15-1/4X15) (AL) *NH283*	1007474		(1)	LD, LU, XU
11	58130ZY3V20	PROPELLER COMP., THREE BLADES (15X17) (AL)		1001892	(1)	LD, LU, XU
11	58130ZY3V20	PROPELLER COMP., THREE BLADES (15X17) (AL)		1007473	(1)	LD, LU, XU
11	58130ZY3V20ZA	PROPELLER COMP., THREE BLADES (15X17) (AL) *NH283*	1007474		(1)	LD, LU, XU
11	58130ZY3V30	PROPELLER COMP., THREE BLADES (14-3/4X19)		1007473	(1)	LD, LU, XU

		(AL)				
11	58130ZY3V30ZA	PROPELLER COMP., THREE BLADES (14-3/4X19) (AL) *NH283*	1007474		(1)	LD, LU, XU
11	58130ZY3V40	PROPELLER COMP., THREE BLADES (14-1/2X21) (AL)		1007473	(1)	LD, LU, XU
11	58130ZY3V40ZA	PROPELLER COMP., THREE BLADES (14-1/2X21) (AL) *NH283*	1007474		(1)	LD, LU, XU
11	58130ZY3V50	PROPELLER COMP., THREE BLADES (14-1/4X23) (AL)		1007473	(1)	LD, LU, XU
11	58130ZY3V50ZA	PROPELLER COMP., THREE BLADES (14-1/4X23) (AL) *NH283*	1007474		(1)	LD, LU, XU
12	90104ZY6000	BOLT, FLANGE, 10X40			002	LD, LU, XU
13	90301ZW1B00	NUT, CASTLE, 18MM			001	LD, LU, XU
14	90506ZY3000	WASHER, PROPELLER THRUST			001	LD, LU, XU
15	90509ZW5710	WASHER, THRUST BEARING		1003534	001	LD, LU, XU
15	90509ZW5710	WASHER, THRUST BEARING		1009924	001	LD, LU, XU
15	90509ZW5711	WASHER, THRUST BEARING	1009925		001	LD, LU, XU
16	90512ZY3000	WASHER, PROPELLER			001	LD, LU, XU
17	90528ZY3000	SHIM A, BEVEL (0.10)			001	LD, LU, XU
17	90529ZY3000	SHIM B, BEVEL (0.15)			001	LD, LU, XU
17	90530ZY3000	SHIM C, BEVEL (0.30)			001	LD, LU, XU
17	90531ZY3000	SHIM D, BEVEL (0.50)			001	LD, LU, XU
18	90563ZV5000	WASHER, PLAIN, 10MM			002	LD, LU, XU
19	90758ZW1B00	PIN, SPLIT, 4.0			001	LD, LU, XU
20	91005MY5601	BEARING, NEEDLE, 30X37X26			001	LD, LU, XU
21	91005PT2N01	BEARING, THRUST (F)			001	LD, LU, XU
22	91051ZY6003	BEARING, TAPER, 50X90X28			001	LD, LU, XU
23	91055ZY6003	BEARING, RADIAL BALL, 50X90X20			001	LD, LU, XU
24	91056ZW5003	BEARING, NEEDLE (25X32X26)			001	LD, LU, XU
25	91101ZW1003	ROLLER, 3X12.8	1001295		001	LD, LU, XU
25	91101ZW1003	ROLLER, 3X12.8	1005488		001	LD, LU, XU
25	91101ZW1B00	ROLLER, 3X12.5		1005487	001	LD, LU, XU
26	91252ZW1B02	SEAL, WATER, 30X45X7		1004562	002	LD
26	91252ZW1B02	SEAL, WATER, 30X45X7		1001007	002	LD
26	91252ZY3003	SEAL, WATER, 30X45X7	1004563	1010487	002	LD, LU, XU
26	91252ZY3003	SEAL, WATER, 30X45X7		1010487	002	LU, XU
26	91252ZZ3003	SEAL, WATER, 30X45X7	1010488		002	LD, LU, XU
27	91351ZY3003	O-RING, 105X3.1			001	LD, LU, XU
28	9451014000	CIRCLIP, EXTERNAL, 14MM			001	LD, LU, XU
29	9621107000	BALL, STEEL, #7 (7/32)			002	LD, LU, XU
30	9621109000	BALL, STEEL, #9 (9/32)			002	LD, LU, XU



F-5-1 PROPELLER SHAFT/PROPELLER (LCD/LCU/XCD/XCU)

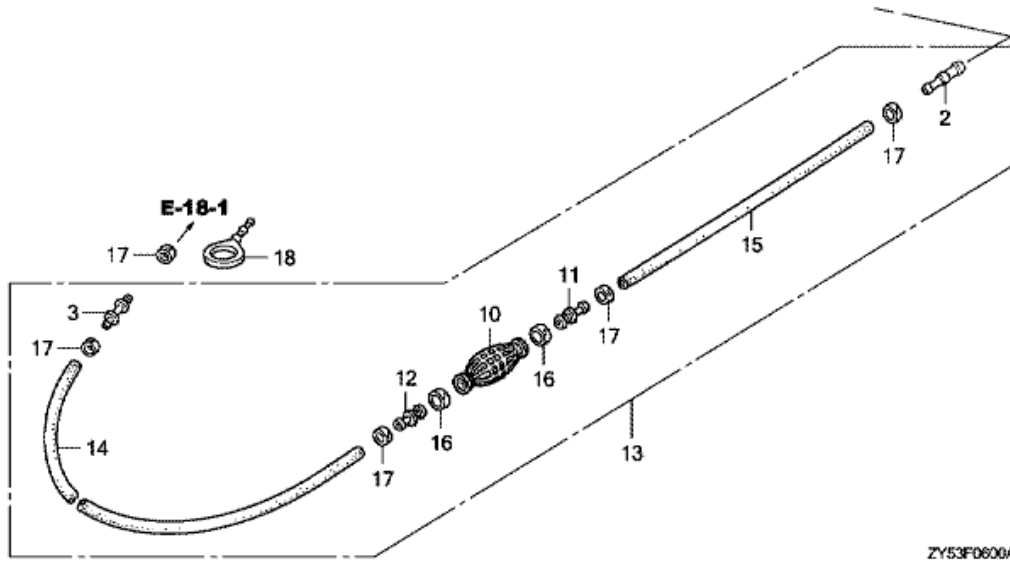


ZY53-F0501

Refnr	Parça Numarası	Açıklama	İlk numara	Son numara	Birim Adedi	Tipler
1	24101ZY6000	SHIFTER, CLUTCH			001	XCD
2	24102ZW1B00	PIN, SHIFTER, 8X47			001	XCD
3	24103ZW1B00	RING, CROSS PIN			001	XCD
4	24122ZY6000	SLIDER, SHIFT			001	XCD
5	24123ZY6000	SPRING, SHIFT			002	XCD
6	24124ZY6000	PLATE, SHIFT			001	XCD
7	41141ZY6710	GEAR, BEVEL (FORWARD 30T) (COUNTER ROTATION)			001	XCD
8	41150ZY6710	GEAR COMP., BEVEL (RVS. 30T) (COUNTER ROTATION)			001	XCD
9	41161ZY6710	SHAFT, PROPELLER (COUNTER ROTATION)			001	XCD
10	41201ZY6710ZA	HOLDER, PROPELLER SHAFT (COUNTER ROTATION) *NH282MU*			001	XCD
11	41202ZY6710	HOLDER, BEARING (COUNTER ROTATION)			001	XCD
12	58180ZY3T00	PROPELLER COMP., THREE BLADES (14-1/2X15) (C/R)			(1)	XCD
12	58180ZY3T10	PROPELLER COMP., THREE BLADES (14-1/4X17) (C/R)			(1)	XCD
12	58180ZY3T20	PROPELLER COMP., THREE BLADES (14X19) (C/R)			(1)	XCD
12	58180ZY3T30	PROPELLER COMP., THREE BLADES (14X21) (C/R)			(1)	XCD
12	58180ZY3T40	PROPELLER COMP., THREE BLADES (14-1/2X23) (C/R)			(1)	XCD
13	90104ZY6000	BOLT, FLANGE, 10X40			002	XCD
14	90301ZW1B00	NUT, CASTLE, 18MM			001	XCD
15	90506ZY3000	WASHER, PROPELLER THRUST			001	XCD
16	90509ZW5710	WASHER, THRUST BEARING		1001356	002	XCD
16	90509ZW5710	WASHER, THRUST BEARING			002	XCD
16	90509ZW5711	WASHER, THRUST BEARING	1001357		002	XCD
17	90512ZY3000	WASHER, PROPELLER			001	XCD
18	90528ZY3000	SHIM A, BEVEL (0.10)			002	XCD
18	90529ZY3000	SHIM B, BEVEL (0.15)			002	XCD
18	90530ZY3000	SHIM C, BEVEL (0.30)			002	XCD
18	90531ZY3000	SHIM D, BEVEL (0.50)			002	XCD
19	90548ZW5710	SHIM A, THRUST (0.10)			001	XCD
19	90549ZW5710	SHIM B, THRUST (0.15)			001	XCD
19	90550ZW5710	SHIM C, THRUST (0.30)			001	XCD
19	90551ZW5710	SHIM D, THRUST (0.50)			001	XCD

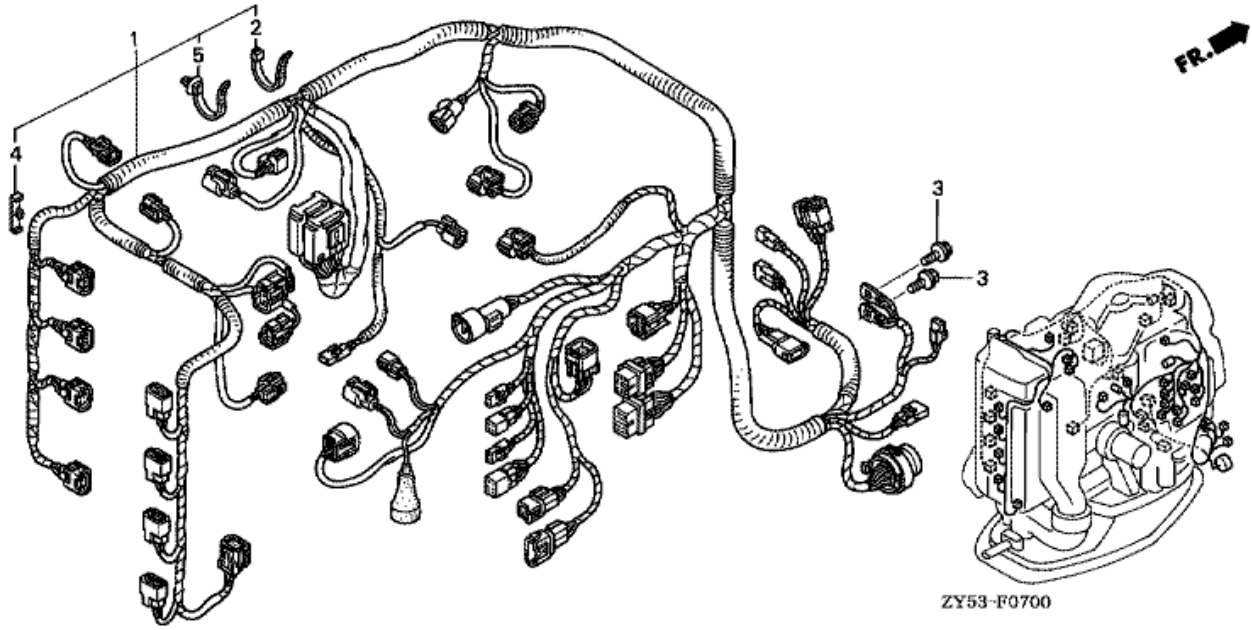
20	90563ZV5000	WASHER, PLAIN, 10MM			002	XCD
21	90758ZW1B00	PIN, SPLIT, 4.0			001	XCD
22	91005MY5601	BEARING, NEEDLE, 30X37X26			001	XCD
23	91005PT2N01	BEARING, THRUST (F)			001	XCD
24	91051ZY6003	BEARING, TAPER, 50X90X28			001	XCD
25	91055ZY6003	BEARING, RADIAL BALL, 50X90X20			001	XCD
26	91056ZW5003	BEARING, NEEDLE (25X32X26)			001	XCD
27	91101ZW1003	ROLLER, 3X12.8	1000097		001	XCD
27	91101ZW1003	ROLLER, 3X12.8	1000738		001	XCD
27	91101ZW1003	ROLLER, 3X12.8			001	XCD
27	91101ZW1B00	ROLLER, 3X12.5		1000737	001	XCD
28	91252ZW1B02	SEAL, WATER, 30X45X7		1000068	002	XCD
28	91252ZW1B02	SEAL, WATER, 30X45X7		1000608	002	XCD
28	91252ZY3003	SEAL, WATER, 30X45X7	1000609	1001414	002	XCD
28	91252ZY3003	SEAL, WATER, 30X45X7		1001414	002	XCD
28	91252ZZ3003	SEAL, WATER, 30X45X7	1001415		002	XCD
29	91351ZY3003	O-RING, 105X3.1			001	XCD
30	9451014000	CIRCLIP, EXTERNAL, 14MM			001	XCD
31	9621107000	BALL, STEEL, #7 (7/32)			002	XCD
32	9621109000	BALL, STEEL, #9 (9/32)			002	XCD

F-6 FUEL TUBE



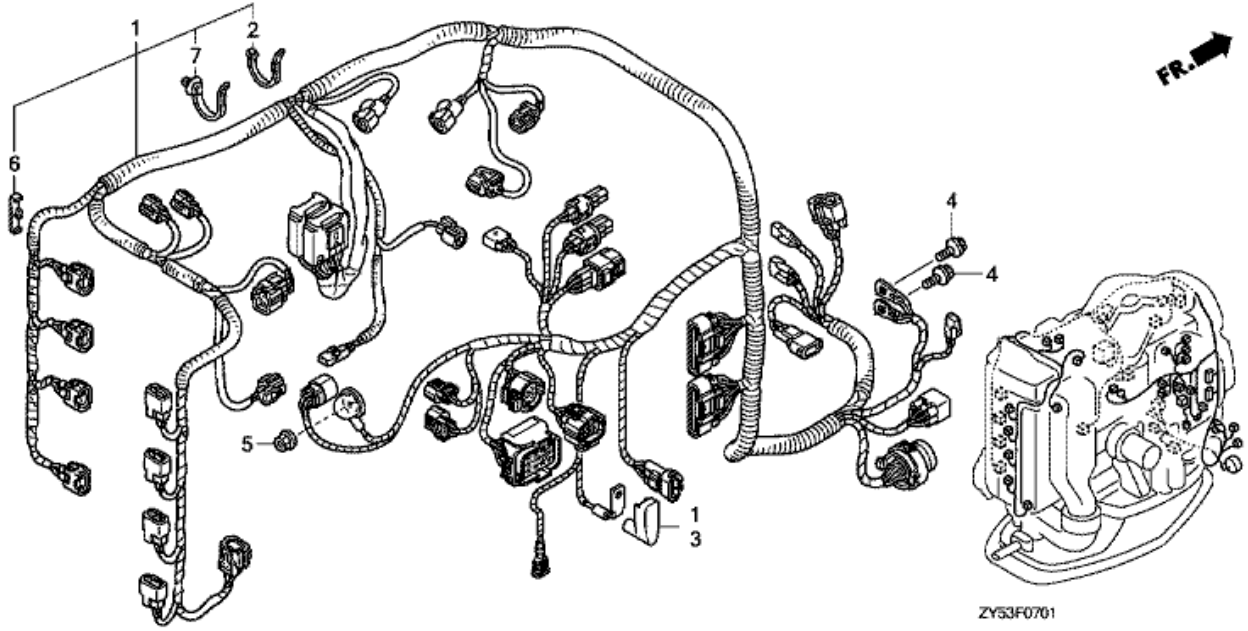
Refnr	Parça Numarası	Açıklama	İlk numara	Son numara	Birim Adedi	Tipler
1	16900ZV5902	JOINT ASSY., FUEL			(1)	LD, XCD
2	16966MR1000	JOINT, FUEL TUBE			001	LD, LU, XU, XCD
3	16966MR5000	JOINT, FUEL TUBE			001	LD, LU, XU, XCD
4	16977ZV5A00	FITTING, QUICK DISCONNECT			(1)	LD, XCD
5	16979ZV5901	O-RING			(1)	LD, XCD
6	17010ZV5903	TANK SET, FUEL (25L)			(1)	LD, XCD
7	17583ZV5901	FILTER, FUEL			(1)	LD, XCD
8	17620ZV5901	CAP COMP., FUEL FILLER			(1)	LD, XCD
9	17624ZV5901	PACKING, FUEL CAP			(1)	LD, XCD
10	17661921010	BULB, PRIMER			001	LD, LU, XU, XCD
11	17665ZV5000	VALVE COMP., IN.			001	LD, LU, XU, XCD
12	17680ZV4000	VALVE COMP., OUTLET			001	LD, LU, XU, XCD
13	17700ZY3010	TUBE ASSY., FUEL (JOINT TYPE)			001	LD, LU, XU, XCD
14	17701ZV5000	TUBE, FUEL LONG (7.3X2000)			001	LD, LU, XU, XCD
15	17702ZV4000	TUBE, FUEL SHORT (6.3X500)			001	LD, LU, XU, XCD
16	17703921010	BAND, TUBE CLIP, 20MM			002	LD, LU, XU, XCD
17	17704ZV4010	BAND, TUBE CLIP, 12.5MM			005	LD, LU, XU, XCD
18	17738ZY3000	PLUG, FUEL TUBE			001	LD, LU, XU, XCD
19	87571921010	MARK, TANK CAUTION			(1)	LD, XCD

F-7 WIRE HARNESS (1)



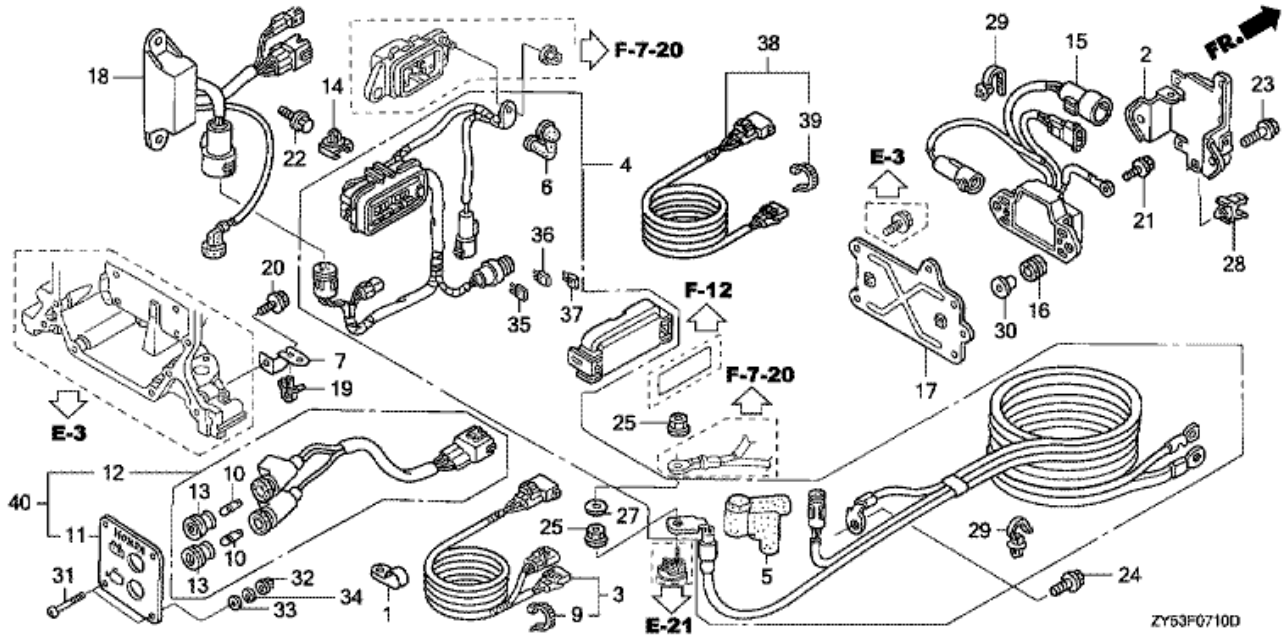
Refnr	Parça Numarası	Açıklama	İlk numara	Son numara	Birim Adedi	Tipler
1	32100ZY6010	HARNESS ASSY., MAIN WIRE		1004645	001	LD, XCD
1	32100ZY6010	HARNESS ASSY., MAIN WIRE		1000645	001	XCD
1	32100ZY6020	HARNESS ASSY., MAIN WIRE	1004646	1005702	001	LD, LU, XU, XCD
1	32100ZY6020	HARNESS ASSY., MAIN WIRE		1005702	001	LU, XU
1	32100ZY6020	HARNESS ASSY., MAIN WIRE	1000646	1000786	001	XCD
1	32100ZY6030	HARNESS ASSY., MAIN WIRE	1005703	1008604	001	LD, LU, XU, XCD
1	32100ZY6030	HARNESS ASSY., MAIN WIRE	1000787	1001001	001	LD, LU, XU, XCD
1	32100ZY6040	HARNESS ASSY., MAIN WIRE	1008605	1010487	001	LD, LU, XU, XCD
1	32100ZY6040	HARNESS ASSY., MAIN WIRE	1001002	1001414	001	XCD
2	32161KM3003	BAND, WIRE			001	LD, LU, XU, XCD
2	32161KM3003	BAND, WIRE		1001414	001	XCD
2	32161KM3003	BAND, WIRE		1010487	001	LD, LU, XU
3	90013ZW9000	BOLT, FLANGE, 6X12		1001414	002	XCD
3	90013ZW9000	BOLT, FLANGE, 6X12			002	LD, LU, XU, XCD
3	90013ZW9000	BOLT, FLANGE, 6X12		1010487	002	LD, LU, XU
4	90653ZY3003	CLIP, WIRE HARNESS			003	LD, LU, XU, XCD
4	90653ZY3003	CLIP, WIRE HARNESS		1010487	003	LD, LU, XU
4	90653ZY3003	CLIP, WIRE HARNESS		1001414	003	XCD
5	91541S0A003	CLIP, HARNESS BAND (BLACK) (145MM)			021	LD, LU, XU, XCD
5	91541S0A003	CLIP, HARNESS BAND (BLACK) (145MM)		1001414	021	XCD
5	91541S0A003	CLIP, HARNESS BAND (BLACK) (145MM)		1010487	021	LD, LU, XU

F-7-1 WIRE HARNESS (2)



Refnr	Parça Numarası	Açıklama	İlk numara	Son numara	Birim Adedi	Tipler
1	32100ZY6050	HARNESS ASSY., MAIN WIRE	1010488		001	LD, LU, XU, XCD
1	32100ZY6050	HARNESS ASSY., MAIN WIRE	1001415		001	XCD
2	32161KM3003	BAND, WIRE	1000314		001	LD, LU, XU, XCD
2	32161KM3003	BAND, WIRE	1001415		001	XCD
2	32161KM3003	BAND, WIRE	1010488		001	LD, LU, XU
3	32414ZY6300	COVER B, TERMINAL (L)	1000314		001	LD, LU, XU, XCD
3	32414ZY6300	COVER B, TERMINAL (L)	1010488		001	LD, LU, XU
3	32414ZY6300	COVER B, TERMINAL (L)	1001415		001	XCD
4	90013ZW9000	BOLT, FLANGE, 6X12	1000314		002	LD, LU, XU, XCD
4	90013ZW9000	BOLT, FLANGE, 6X12	1010488		002	LD, LU, XU
4	90013ZW9000	BOLT, FLANGE, 6X12	1001415		002	XCD
5	90304ZY3000	NUT-WASHER, 6MM	1001415		001	XCD
5	90304ZY3000	NUT-WASHER, 6MM	1000314		001	LD, LU, XU, XCD
5	90304ZY3000	NUT-WASHER, 6MM	1010488		001	LD, LU, XU
6	90653ZY3003	CLIP, WIRE HARNESS	1000314		003	LD, LU, XU, XCD
6	90653ZY3003	CLIP, WIRE HARNESS	1010488		003	LD, LU, XU
6	90653ZY3003	CLIP, WIRE HARNESS	1001415		003	XCD
7	91541S0A003	CLIP, HARNESS BAND (BLACK) (145MM)	1000314		022	LD, LU, XU, XCD
7	91541S0A003	CLIP, HARNESS BAND (BLACK) (145MM)	1010488		022	LD, LU, XU
7	91541S0A003	CLIP, HARNESS BAND (BLACK) (145MM)	1001415		022	XCD

F-7-10 STARTER CABLE (1)



Refnr	Parça Numarası	Açıklama	İlk numara	Son numara	Birim Adedi	Tipler
1	30569895000	CLAMP F, CABLE			001	LD, LU, XU, XCD
1	30569895000	CLAMP F, CABLE		1010487	001	LD, LU, XU
1	30569895000	CLAMP F, CABLE		1001414	001	XCD
2	32101ZY6000	BRACKET A, COUPLER			001	LD, LU, XU, XCD
2	32101ZY6000	BRACKET A, COUPLER		1010487	001	LD, LU, XU
2	32101ZY6000	BRACKET A, COUPLER		1001414	001	XCD
3	32185ZY6000	CORD ASSY., INDICATOR (DIGITAL)		1000322	001	LD, LU, XU, XCD
3	32185ZY6000	CORD ASSY., INDICATOR (DIGITAL)	1000323	1001414	(1)	XCD
3	32185ZY6000	CORD ASSY., INDICATOR (DIGITAL)		1000050	001	LD, XCD
3	32185ZY6000	CORD ASSY., INDICATOR (DIGITAL)	1002204	1010487	(1)	LD
3	32185ZY6000	CORD ASSY., INDICATOR (DIGITAL)		1002203	001	LD
3	32185ZY6000	CORD ASSY., INDICATOR (DIGITAL)		1010487	(1)	LU, XU
4	32410ZY6000	CABLE ASSY., STARTER		1000064	001	LD, XCD
4	32410ZY6000	CABLE ASSY., STARTER		1000558	001	XCD
4	32410ZY6000	CABLE ASSY., STARTER		1004001	001	LD
4	32410ZY6010	CABLE ASSY., STARTER		1000313	001	LD, LU, XU, XCD
4	32410ZY6010	CABLE ASSY., STARTER		1010487	001	LU, XU
4	32410ZY6010	CABLE ASSY., STARTER	1000559	1001414	001	XCD
4	32410ZY6010	CABLE ASSY., STARTER	1004002	1010487	001	LD
5	32411ZY3003	COVER, STARTER TERMINAL			001	LD, LU, XU, XCD
5	32411ZY3003	COVER, STARTER TERMINAL		1010487	001	LD, LU, XU
5	32411ZY3003	COVER, STARTER TERMINAL		1001414	001	XCD
6	32412ZV4811	COVER, MAGNETIC SWITCH TERMINAL		1010487	001	LD, LU, XU
6	32412ZV4811	COVER, MAGNETIC SWITCH TERMINAL			001	LD, LU, XU, XCD
6	32412ZV4811	COVER, MAGNETIC SWITCH TERMINAL		1001414	001	XCD
7	32419ZY6000	BRACKET B, CABLE		1001414	001	XCD
7	32419ZY6000	BRACKET B, CABLE			001	LD, LU, XU, XCD
7	32419ZY6000	BRACKET B, CABLE		1010487	001	LD, LU, XU
9	32901952770	TIE, CABLE (2.4X92) (NATURAL)		1000050	002	LD, XCD
9	32901952770	TIE, CABLE (2.4X92) (NATURAL)		1000527	002	LD, LU, XU, XCD

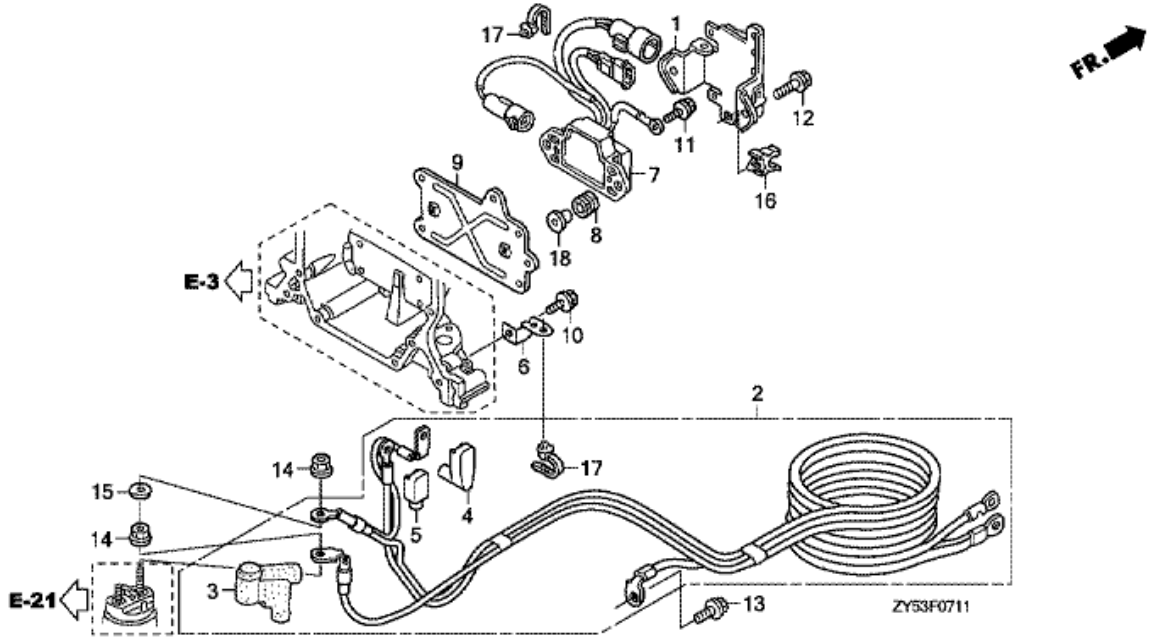
9	32901952770	TIE, CABLE (2.4X92) (NATURAL)		1010487	(2)	LU, XU
9	32901952770	TIE, CABLE (2.4X92) (NATURAL)		1000322	002	LD, LU, XU, XCD
9	32901952770	TIE, CABLE (2.4X92) (NATURAL)	1000323	1001414	(2)	XCD
9	32901952770	TIE, CABLE (2.4X92) (NATURAL)	1002204	1010487	(2)	LD
9	32901952770	TIE, CABLE (2.4X92) (NATURAL)		1002203	002	LD
10	34908KM1671	BULB, WEDGE BASE (T6.5) (12V 3W)			002	LD, LU, XU, XCD
10	34908KM1671	BULB, WEDGE BASE (T6.5) (12V 3W)		1010487	002	LD, LU, XU
10	34908KM1671	BULB, WEDGE BASE (T6.5) (12V 3W)		1001414	002	XCD
11	37206ZW5014	PANEL, INDICATOR (2-BULB)			001	LD, LU, XU, XCD
11	37206ZW5014	PANEL, INDICATOR (2-BULB)		1000955	001	XCD
11	37206ZW5014	PANEL, INDICATOR (2-BULB)		1007473	001	LD, LU, XU
11	37206ZW5024	PANEL, INDICATOR (2-BULB)	1007474	1010487	001	LD, LU, XU
11	37206ZW5024	PANEL, INDICATOR (2-BULB)	1000956		001	LD, LU, XU, XCD
11	37206ZW5024	PANEL, INDICATOR (2-BULB)	1000956	1001414	001	XCD
12	37210ZW5004	LAMP ASSY., INDICATION (2-BULB)			001	LD, LU, XU, XCD
12	37210ZW5004	LAMP ASSY., INDICATION (2-BULB)		1010487	001	LD, LU, XU
12	37210ZW5004	LAMP ASSY., INDICATION (2-BULB)		1001414	001	XCD
13	37581KR3008	LENS COMP., SPEEDOMETER PILOT			002	LD, LU, XU, XCD
13	37581KR3008	LENS COMP., SPEEDOMETER PILOT		1001414	002	XCD
13	37581KR3008	LENS COMP., SPEEDOMETER PILOT		1010487	002	LD, LU, XU
14	38216ZY3003	CLIP, COUPLER HOLDER (B)			001	LD, LU, XU, XCD
14	38216ZY3003	CLIP, COUPLER HOLDER (B)		1010487	001	LD, LU, XU
14	38216ZY3003	CLIP, COUPLER HOLDER (B)		1001414	001	XCD
15	38550ZY6003	RELAY ASSY., POWER TILT			001	LD, LU, XU, XCD
15	38550ZY6003	RELAY ASSY., POWER TILT		1010487	001	LD, LU, XU
15	38550ZY6003	RELAY ASSY., POWER TILT		1001414	001	XCD
16	38551ZW1000	GROMMET, RELAY		1001414	002	XCD
16	38551ZW1000	GROMMET, RELAY			002	LD, LU, XU, XCD
16	38551ZW1000	GROMMET, RELAY		1010487	002	LD, LU, XU
17	38552ZY6000	BRACKET, RELAY			001	LD, LU, XU, XCD
17	38552ZY6000	BRACKET, RELAY		1010487	001	LD, LU, XU
17	38552ZY6000	BRACKET, RELAY		1001414	001	XCD
18	38580ZY6003	RELAY ASSY., MAIN		1000081	001	LD, LU, XU, XCD
18	38580ZY6003	RELAY ASSY., MAIN		1005111	001	LD, LU, XU
18	38580ZY6013	RELAY ASSY., MAIN	1005112	1010487	001	LD, LU, XU
18	38580ZY6013	RELAY ASSY., MAIN	1000082	1001414	001	LD, LU, XU, XCD
19	46391VM0003	CLIP, BRAKE PIPE (A)			001	LD, LU, XU, XCD
19	46391VM0003	CLIP, BRAKE PIPE (A)		1001414	001	XCD
19	46391VM0003	CLIP, BRAKE PIPE (A)		1010487	001	LD, LU, XU
20	90011ZW9000	BOLT, FLANGE, 6X14 (CT200)		1001414	001	XCD
20	90011ZW9000	BOLT, FLANGE, 6X14 (CT200)			001	LD, LU, XU, XCD
20	90011ZW9000	BOLT, FLANGE, 6X14 (CT200)		1010487	001	LD, LU, XU
21	90013ZW9000	BOLT, FLANGE, 6X12			001	LD, LU, XU, XCD
21	90013ZW9000	BOLT, FLANGE, 6X12		1010487	001	LD, LU, XU
21	90013ZW9000	BOLT, FLANGE, 6X12		1001414	001	XCD
22	90017ZY3000	BOLT, FLANGE, 6X16		1010487	002	LD, LU, XU
22	90017ZY3000	BOLT, FLANGE, 6X16			002	LD, LU, XU, XCD
22	90017ZY3000	BOLT, FLANGE, 6X16		1001414	002	XCD
23	90025ZY3000	BOLT, FLANGE, 6X22		1000091	002	LD, LU, XU, XCD
23	90025ZY3000	BOLT, FLANGE, 6X22		1000708	002	XCD

23	90025ZY3000	BOLT, FLANGE, 6X22		1005347	002	LD, LU, XU
23	90030ZY3000	BOLT, FLANGE, 6X22	1000092		002	LD, LU, XU, XCD
23	90030ZY3000	BOLT, FLANGE, 6X22	1000709	1001414	002	XCD
23	90030ZY3000	BOLT, FLANGE, 6X22	1005348	1010487	002	LD, LU, XU
24	90107ZY3000	BOLT, FLANGE, 8X18			001	LD, LU, XU, XCD
24	90107ZY3000	BOLT, FLANGE, 8X18		1010487	001	LD, LU, XU
24	90107ZY3000	BOLT, FLANGE, 8X18		1001414	001	XCD
25	90203ZW1000	NUT-WASHER, 8MM			002	LD, LU, XU, XCD
25	90203ZW1000	NUT-WASHER, 8MM		1001414	002	XCD
25	90203ZW1000	NUT-WASHER, 8MM		1010487	002	LD, LU, XU
27	90405ZY3000	WASHER, PLAIN, 8MM			001	LD, LU, XU, XCD
27	90405ZY3000	WASHER, PLAIN, 8MM		1010487	001	LD, LU, XU
27	90405ZY3000	WASHER, PLAIN, 8MM		1001414	001	XCD
28	90687SB2003	CLIP, FUEL TUBE, 14			001	LD, LU, XU, XCD
28	90687SB2003	CLIP, FUEL TUBE, 14		1010487	001	LD, LU, XU
28	90687SB2003	CLIP, FUEL TUBE, 14		1001414	001	XCD
29	91541S0A003	CLIP, HARNESS BAND (BLACK) (145MM)			006	LD, LU, XU, XCD
29	91541S0A003	CLIP, HARNESS BAND (BLACK) (145MM)		1001414	006	XCD
29	91541S0A003	CLIP, HARNESS BAND (BLACK) (145MM)		1010487	006	LD, LU, XU
30	91553ZV5010	COLLAR, C.D.I. UNIT CASE			002	LD, LU, XU, XCD
30	91553ZV5010	COLLAR, C.D.I. UNIT CASE		1010487	002	LD, LU, XU
30	91553ZV5010	COLLAR, C.D.I. UNIT CASE		1001414	002	XCD
31	90109ZW5000	SCREW, PAN, 5X40			004	LD, LU, XU, XCD
31	90109ZW5000	SCREW, PAN, 5X40		1000313	004	LD, LU, XU, XCD
31	90109ZW5000	SCREW, PAN, 5X40		1001414	004	XCD
31	90109ZW5000	SCREW, PAN, 5X40		1010487	004	LD, LU, XU
32	18334MT8770	NUT, FLANGE, 5MM			004	LD, LU, XU, XCD
32	18334MT8770	NUT, FLANGE, 5MM		1000313	004	LD, LU, XU, XCD
32	18334MT8770	NUT, FLANGE, 5MM		1010487	004	LD, LU, XU
32	18334MT8770	NUT, FLANGE, 5MM		1001414	004	XCD
33	9410305400	WASHER, PLAIN, 5MM		1000313	004	LD, LU, XU, XCD
33	9410305400	WASHER, PLAIN, 5MM		1010487	004	LD, LU, XU
33	9410305400	WASHER, PLAIN, 5MM			004	LD, LU, XU, XCD
33	9410305400	WASHER, PLAIN, 5MM		1001414	004	XCD
34	9411105400	WASHER, SPRING, 5MM		1001414	004	XCD
34	9411105400	WASHER, SPRING, 5MM			004	LD, LU, XU, XCD
34	9411105400	WASHER, SPRING, 5MM		1010487	004	LD, LU, XU
35	9820041000	FUSE, MINI (10A)			004	LD, LU, XU, XCD
35	9820041000	FUSE, MINI (10A)		1010487	004	LD, LU, XU
35	9820041000	FUSE, MINI (10A)		1001414	004	XCD
36	9820041500	FUSE, MINI (15A)			003	LD, LU, XU, XCD
36	9820041500	FUSE, MINI (15A)		1001414	003	XCD
36	9820041500	FUSE, MINI (15A)		1010487	003	LD, LU, XU
37	9820043000	FUSE, MINI (30A)			003	LD, LU, XU, XCD
37	9820043000	FUSE, MINI (30A)		1010487	003	LD, LU, XU
37	9820043000	FUSE, MINI (30A)		1001414	003	XCD
38	32185ZY3010	CORD ASSY., INDICATOR (ANALOG) (3P/6P)		1000313	001	LD, LU, XU, XCD
38	32185ZY3010	CORD ASSY., INDICATOR (ANALOG) (3P/6P)	1002204	1010487	001	LD
38	32185ZY3010	CORD ASSY., INDICATOR (ANALOG) (3P/6P)		1010487	001	LU, XU



38	32185ZY3010	CORD ASSY., INDICATOR (ANALOG) (3P/6P)	1000323	1001414	001	XCD
39	32901952770	TIE, CABLE (2.4X92) (NATURAL)		1010487	002	LU, XU
39	32901952770	TIE, CABLE (2.4X92) (NATURAL)		1000313	002	LD, LU, XU, XCD
39	32901952770	TIE, CABLE (2.4X92) (NATURAL)	1000323	1001414	002	XCD
39	32901952770	TIE, CABLE (2.4X92) (NATURAL)	1002204	1010487	002	LD
40	37205ZW5014	PANEL ASSY., INDICATOR			001	LD, LU, XU, XCD
40	37205ZW5014	PANEL ASSY., INDICATOR		1010487	001	LD, LU, XU
40	37205ZW5014	PANEL ASSY., INDICATOR		1001414	001	XCD

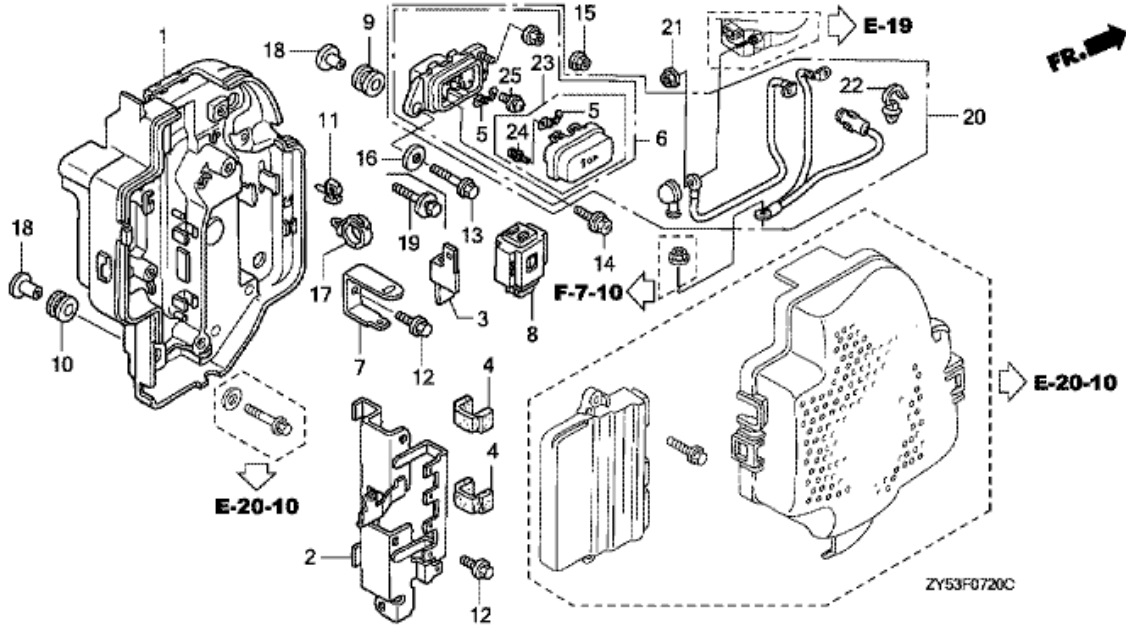
F-7-11 STARTER CABLE (2)



Refnr	Parça Numarası	Açıklama	İlk numara	Son numara	Birim Adedi	Tipler
1	32101ZY6000	BRACKET A, COUPLER	1000314		001	LD, LU, XU, XCD
1	32101ZY6000	BRACKET A, COUPLER	1010488		001	LD, LU, XU
1	32101ZY6000	BRACKET A, COUPLER	1001415		001	XCD
2	32410ZY6020	CABLE ASSY., STARTER	1000314		001	LD, LU, XU, XCD
2	32410ZY6020	CABLE ASSY., STARTER	1010488		001	LD, LU, XU
2	32410ZY6020	CABLE ASSY., STARTER	1001415		001	XCD
3	32411ZY3003	COVER, STARTER TERMINAL	1001415		001	XCD
3	32411ZY3003	COVER, STARTER TERMINAL	1000314		001	LD, LU, XU, XCD
3	32411ZY3003	COVER, STARTER TERMINAL	1010488		001	LD, LU, XU
4	32414ZY6300	COVER B, TERMINAL (L)	1000314		001	LD, LU, XU, XCD
4	32414ZY6300	COVER B, TERMINAL (L)	1010488		001	LD, LU, XU
4	32414ZY6300	COVER B, TERMINAL (L)	1001415		001	XCD
5	32414ZY6640	COVER B, TERMINAL	1000314		001	LD, LU, XU, XCD
5	32414ZY6640	COVER B, TERMINAL	1001415		001	XCD
5	32414ZY6640	COVER B, TERMINAL	1010488		001	LD, LU, XU
6	32419ZY6000	BRACKET B, CABLE	1000314		001	LD, LU, XU, XCD
6	32419ZY6000	BRACKET B, CABLE	1010488		001	LD, LU, XU
6	32419ZY6000	BRACKET B, CABLE	1001415		001	XCD
7	38550ZY6003	RELAY ASSY., POWER TILT	1010488		001	LD, LU, XU
7	38550ZY6003	RELAY ASSY., POWER TILT	1000314		001	LD, LU, XU, XCD
7	38550ZY6003	RELAY ASSY., POWER TILT	1001415		001	XCD
8	38551ZW1000	GROMMET, RELAY	1000314		002	LD, LU, XU, XCD
8	38551ZW1000	GROMMET, RELAY	1001415		002	XCD
8	38551ZW1000	GROMMET, RELAY	1010488		002	LD, LU, XU
9	38552ZY6000	BRACKET, RELAY	1000314		001	LD, LU, XU, XCD
9	38552ZY6000	BRACKET, RELAY	1010488		001	LD, LU, XU
9	38552ZY6000	BRACKET, RELAY	1001415		001	XCD
10	90011ZW9000	BOLT, FLANGE, 6X14 (CT200)	1000314		001	LD, LU, XU, XCD

10	90011ZW9000	BOLT, FLANGE, 6X14 (CT200)	1010488		001	LD, LU, XU
10	90011ZW9000	BOLT, FLANGE, 6X14 (CT200)	1001415		001	XCD
11	90013ZW9000	BOLT, FLANGE, 6X12	1001415		001	XCD
11	90013ZW9000	BOLT, FLANGE, 6X12	1000314		001	LD, LU, XU, XCD
11	90013ZW9000	BOLT, FLANGE, 6X12	1010488		001	LD, LU, XU
12	90030ZY3000	BOLT, FLANGE, 6X22	1000314		002	LD, LU, XU, XCD
12	90030ZY3000	BOLT, FLANGE, 6X22	1010488		002	LD, LU, XU
12	90030ZY3000	BOLT, FLANGE, 6X22	1001415		002	XCD
13	90107ZY3000	BOLT, FLANGE, 8X18	1000314		001	LD, LU, XU, XCD
13	90107ZY3000	BOLT, FLANGE, 8X18	1001415		001	XCD
13	90107ZY3000	BOLT, FLANGE, 8X18	1010488		001	LD, LU, XU
14	90203ZW1000	NUT-WASHER, 8MM	1000314		002	LD, LU, XU, XCD
14	90203ZW1000	NUT-WASHER, 8MM	1010488		002	LD, LU, XU
14	90203ZW1000	NUT-WASHER, 8MM	1001415		002	XCD
15	90405ZY3000	WASHER, PLAIN, 8MM	1000314		001	LD, LU, XU, XCD
15	90405ZY3000	WASHER, PLAIN, 8MM	1010488		001	LD, LU, XU
15	90405ZY3000	WASHER, PLAIN, 8MM	1001415		001	XCD
16	90687SB2003	CLIP, FUEL TUBE, 14	1000314		001	LD, LU, XU, XCD
16	90687SB2003	CLIP, FUEL TUBE, 14	1001415		001	XCD
16	90687SB2003	CLIP, FUEL TUBE, 14	1010488		001	LD, LU, XU
17	91541S0A003	CLIP, HARNESS BAND (BLACK) (145MM)	1000314		005	LD, LU, XU, XCD
17	91541S0A003	CLIP, HARNESS BAND (BLACK) (145MM)	1010488		005	LD, LU, XU
17	91541S0A003	CLIP, HARNESS BAND (BLACK) (145MM)	1001415		005	XCD
18	91553ZV5010	COLLAR, C.D.I. UNIT CASE	1000314		002	LD, LU, XU, XCD
18	91553ZV5010	COLLAR, C.D.I. UNIT CASE	1010488		002	LD, LU, XU
18	91553ZV5010	COLLAR, C.D.I. UNIT CASE	1001415		002	XCD

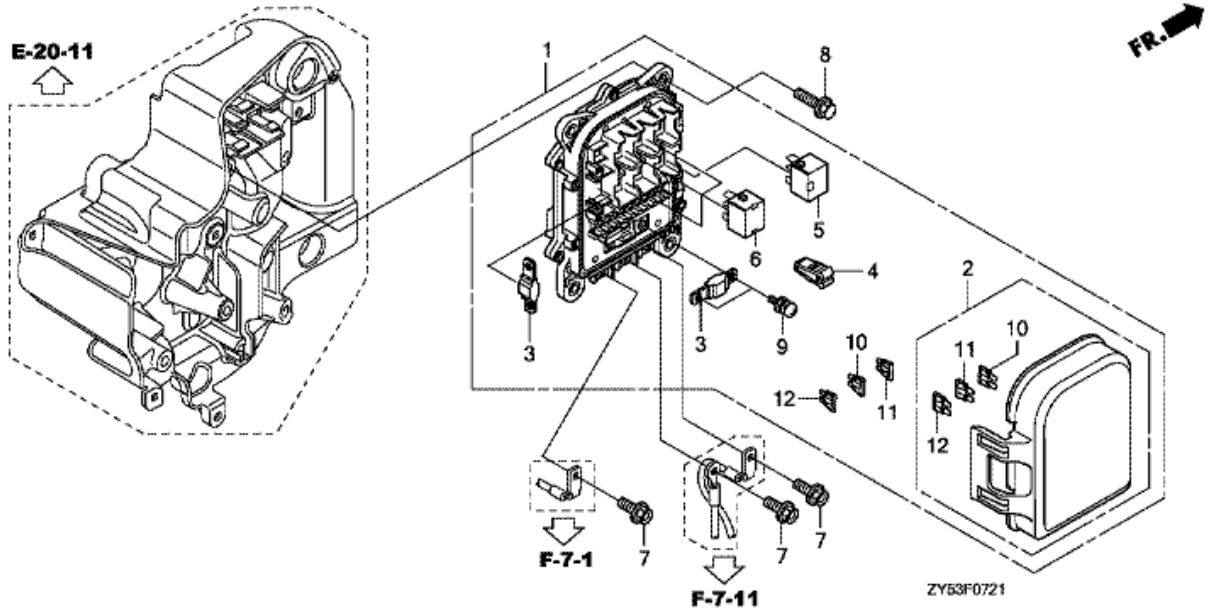
F-7-20 FUSE BOX/RELAY (1)



Refnr	Parça Numarası	Açıklama	İlk numara	Son numara	Birim Adedi	Tipler
1	30416ZY6010	CASE, ELECTRONIC PARTS			001	LD, LU, XU, XCD
1	30416ZY6010	CASE, ELECTRONIC PARTS		1000313	001	LD, LU, XU, XCD
1	30416ZY6010	CASE, ELECTRONIC PARTS		1010487	001	LD, LU, XU
1	30416ZY6010	CASE, ELECTRONIC PARTS		1001414	001	XCD
2	32102ZY6000	BRACKET B, COUPLER			001	LD, LU, XU, XCD
2	32102ZY6000	BRACKET B, COUPLER		1001414	001	XCD
2	32102ZY6000	BRACKET B, COUPLER		1010487	001	LD, LU, XU
3	32103ZY6000	BRACKET C, COUPLER			001	LD, LU, XU, XCD
3	32103ZY6000	BRACKET C, COUPLER		1010487	001	LD, LU, XU
3	32103ZY6000	BRACKET C, COUPLER		1001414	001	XCD
4	34751ZY6000	SUSPENSION, ECU UNIT			002	LD, LU, XU, XCD
4	34751ZY6000	SUSPENSION, ECU UNIT		1010487	002	LD, LU, XU
4	34751ZY6000	SUSPENSION, ECU UNIT		1001414	002	XCD
5	38201ZW5003	FUSE (90A)		1001414	002	XCD
5	38201ZW5003	FUSE (90A)			002	LD, LU, XU, XCD
5	38201ZW5003	FUSE (90A)		1010487	002	LD, LU, XU
6	38210ZY6003	BOX ASSY., FUSE (90A)			001	LD, LU, XU, XCD
6	38210ZY6003	BOX ASSY., FUSE (90A)		1010487	001	LD, LU, XU
6	38210ZY6003	BOX ASSY., FUSE (90A)		1001414	001	XCD
7	38217ZY6000	BRACKET, FUSE BOX			001	LD, LU, XU, XCD
7	38217ZY6000	BRACKET, FUSE BOX		1010487	001	LD, LU, XU
7	38217ZY6000	BRACKET, FUSE BOX		1001414	001	XCD
8	38543ZY6003	RELAY ASSY., AIR FUEL SENSOR		1001414	001	XCD
8	38543ZY6003	RELAY ASSY., AIR FUEL SENSOR			001	LD, LU, XU, XCD
8	38543ZY6003	RELAY ASSY., AIR FUEL SENSOR		1010487	001	LD, LU, XU
9	38551ZW1000	GROMMET, RELAY			002	LD, LU, XU, XCD
9	38551ZW1000	GROMMET, RELAY		1010487	002	LD, LU, XU
9	38551ZW1000	GROMMET, RELAY		1001414	002	XCD

10	40102ZV5000	GROMMET, UNDER CASE			004	LD, LU, XU, XCD
10	40102ZV5000	GROMMET, UNDER CASE		1001414	004	XCD
10	40102ZV5000	GROMMET, UNDER CASE		1010487	004	LD, LU, XU
11	80111KE5000	CLIP E, WIRE HARNESS			001	LD, LU, XU, XCD
11	80111KE5000	CLIP E, WIRE HARNESS		1010487	001	LD, LU, XU
11	80111KE5000	CLIP E, WIRE HARNESS		1001414	001	XCD
12	90014ZW9000	BOLT, FLANGE, 6X10			002	LD, LU, XU, XCD
12	90014ZW9000	BOLT, FLANGE, 6X10		1010487	002	LD, LU, XU
12	90014ZW9000	BOLT, FLANGE, 6X10		1001414	002	XCD
13	90019ZW5000	BOLT, FLANGE, 6X25		1000703	002	XCD
13	90019ZW5000	BOLT, FLANGE, 6X25		1000090	002	LD, LU, XU, XCD
13	90019ZW5000	BOLT, FLANGE, 6X25		1005297	002	LD, LU, XU
14	90108ZY3000	BOLT-WASHER, 6X16		1010487	002	LD, LU, XU
14	90108ZY3000	BOLT-WASHER, 6X16			002	LD, LU, XU, XCD
14	90108ZY3000	BOLT-WASHER, 6X16		1001414	002	XCD
15	90304ZY3000	NUT-WASHER, 6MM			001	LD, LU, XU, XCD
15	90304ZY3000	NUT-WASHER, 6MM		1010487	001	LD, LU, XU
15	90304ZY3000	NUT-WASHER, 6MM		1001414	001	XCD
16	90508ZY3000	WASHER, PLAIN, 6MM		1000703	002	XCD
16	90508ZY3000	WASHER, PLAIN, 6MM		1000090	002	LD, LU, XU, XCD
16	90508ZY3000	WASHER, PLAIN, 6MM		1005297	002	LD, LU, XU
17	90681763A01	CLIP, WIRE HARNESS			001	LD, LU, XU, XCD
17	90681763A01	CLIP, WIRE HARNESS		1010487	001	LD, LU, XU
17	90681763A01	CLIP, WIRE HARNESS		1001414	001	XCD
18	91553ZV5010	COLLAR, C.D.I. UNIT CASE			006	LD, LU, XU, XCD
18	91553ZV5010	COLLAR, C.D.I. UNIT CASE		1001414	006	XCD
18	91553ZV5010	COLLAR, C.D.I. UNIT CASE		1010487	006	LD, LU, XU
19	90013ZW1000	BOLT-WASHER, 6X25		1000313	002	LD, LU, XU, XCD
19	90013ZW1000	BOLT-WASHER, 6X25	1005298	1010487	002	LD, LU, XU
19	90013ZW1000	BOLT-WASHER, 6X25	1000704	1001414	002	XCD
20	32435ZY6000	CABLE ASSY., A.C. GENERATOR FUSE			001	LD, LU, XU, XCD
20	32435ZY6000	CABLE ASSY., A.C. GENERATOR FUSE		1010487	001	LD, LU, XU
20	32435ZY6000	CABLE ASSY., A.C. GENERATOR FUSE		1001414	001	XCD
21	90304ZY3000	NUT-WASHER, 6MM		1001414	001	XCD
21	90304ZY3000	NUT-WASHER, 6MM			001	LD, LU, XU, XCD
21	90304ZY3000	NUT-WASHER, 6MM		1010487	001	LD, LU, XU
22	91541S0A003	CLIP, HARNESS BAND (BLACK) (145MM)		1010487	001	LD, LU, XU
22	91541S0A003	CLIP, HARNESS BAND (BLACK) (145MM)			001	LD, LU, XU, XCD
22	91541S0A003	CLIP, HARNESS BAND (BLACK) (145MM)		1001414	001	XCD
23	38216ZY6003	COVER ASSY., FUSE (90A)			001	LD, LU, XU, XCD
23	38216ZY6003	COVER ASSY., FUSE (90A)		1010487	001	LD, LU, XU
23	38216ZY6003	COVER ASSY., FUSE (90A)		1001414	001	XCD
24	90105ZW5003	SCREW-WASHER, 3X7		1010487	002	LD, LU, XU
24	90105ZW5003	SCREW-WASHER, 3X7		1001414	002	XCD
24	90105ZW5003	SCREW-WASHER, 3X7			002	LD, LU, XU, XCD
25	90135ZY3003	SCREW-WASHER, 5X12			002	LD, LU, XU, XCD
25	90135ZY3003	SCREW-WASHER, 5X12		1001414	002	XCD
25	90135ZY3003	SCREW-WASHER, 5X12		1010487	002	LD, LU, XU

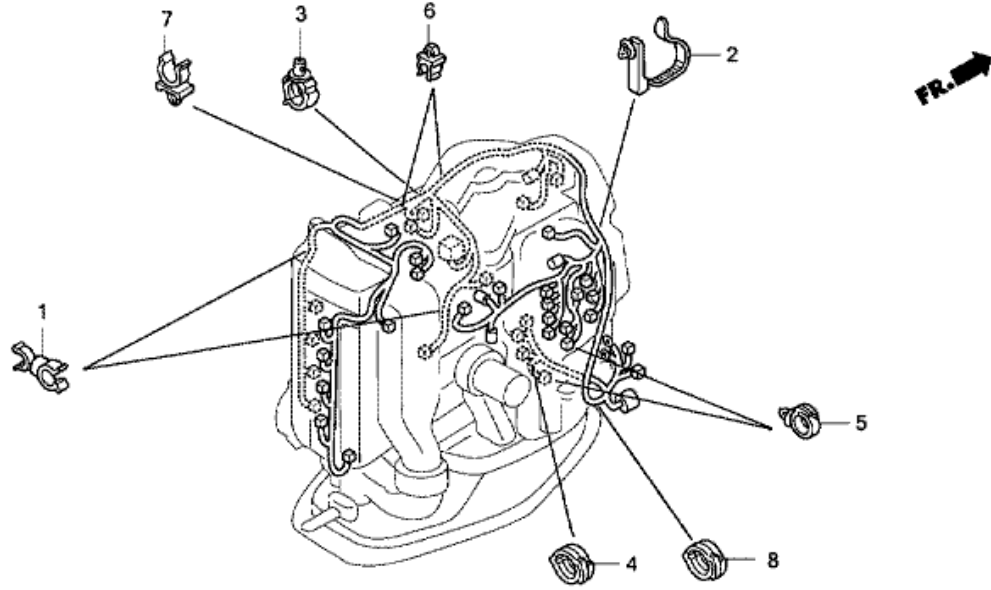
F-7-21 FUSE BOX/RELAY (2)



Refnr	Parça Numarası	Açıklama	İlk numara	Son numara	Birim Adedi	Tipler
1	32370ZY6003	BOX ASSY., JUNCTION	1000314		001	LD, LU, XU, XCD
1	32370ZY6003	BOX ASSY., JUNCTION	1010488		001	LD, LU, XU
1	32370ZY6003	BOX ASSY., JUNCTION	1001415		001	XCD
2	32371ZY6003	COVER COMP., FUSE	1000314		001	LD, LU, XU, XCD
2	32371ZY6003	COVER COMP., FUSE	1010488		001	LD, LU, XU
2	32371ZY6003	COVER COMP., FUSE	1001415		001	XCD
3	38228ZY6003	FUSE, BLOCK 100A (L TYPE)	1001415		002	XCD
3	38228ZY6003	FUSE, BLOCK 100A (L TYPE)	1000314		002	LD, LU, XU, XCD
3	38228ZY6003	FUSE, BLOCK 100A (L TYPE)	1010488		002	LD, LU, XU
4	38235ZY6003	PULLER, MINI FUSE	1000314		001	LD, LU, XU, XCD
4	38235ZY6003	PULLER, MINI FUSE	1010488		001	LD, LU, XU
4	38235ZY6003	PULLER, MINI FUSE	1001415		001	XCD
5	39794SDA004	RELAY ASSY., FUEL PUMP (DENSO)	1000314		001	LD, LU, XU, XCD
5	39794SDA004	RELAY ASSY., FUEL PUMP (DENSO)	1001415		001	XCD
5	39794SDA004	RELAY ASSY., FUEL PUMP (DENSO)	1010488		001	LD, LU, XU
6	39794ZY6003	RELAY ASSY., POWER (12V-20A) (MICRO ISO 4P)	1000314		003	LD, LU, XU, XCD
6	39794ZY6003	RELAY ASSY., POWER (12V-20A) (MICRO ISO 4P)	1010488		003	LD, LU, XU
6	39794ZY6003	RELAY ASSY., POWER (12V-20A) (MICRO ISO 4P)	1001415		003	XCD
7	90013ZW9000	BOLT, FLANGE, 6X12	1010488		003	LD, LU, XU
7	90013ZW9000	BOLT, FLANGE, 6X12	1000314		003	LD, LU, XU, XCD
7	90013ZW9000	BOLT, FLANGE, 6X12	1001415		003	XCD
8	90018ZW5000	BOLT, FLANGE, 6X20	1000314		004	LD, LU, XU, XCD
8	90018ZW5000	BOLT, FLANGE, 6X20	1001415		004	XCD
8	90018ZW5000	BOLT, FLANGE, 6X20	1010488		004	LD, LU, XU
9	90135ZY6003	SCREW-WASHER, 5X15	1000314		002	LD, LU, XU, XCD
9	90135ZY6003	SCREW-WASHER, 5X15	1010488		002	LD, LU, XU
9	90135ZY6003	SCREW-WASHER, 5X15	1001415		002	XCD
10	9820041000	FUSE, MINI (10A)	1000314		004	LD, LU, XU, XCD

10	9820041000	FUSE, MINI (10A)	1010488		004	LD, LU, XU
10	9820041000	FUSE, MINI (10A)	1001415		004	XCD
11	9820041500	FUSE, MINI (15A)	1001415		003	XCD
11	9820041500	FUSE, MINI (15A)	1000314		003	LD, LU, XU, XCD
11	9820041500	FUSE, MINI (15A)	1010488		003	LD, LU, XU
12	9820043000	FUSE, MINI (30A)	1000314		003	LD, LU, XU, XCD
12	9820043000	FUSE, MINI (30A)	1010488		003	LD, LU, XU
12	9820043000	FUSE, MINI (30A)	1001415		003	XCD

F-7-30 CLAMP

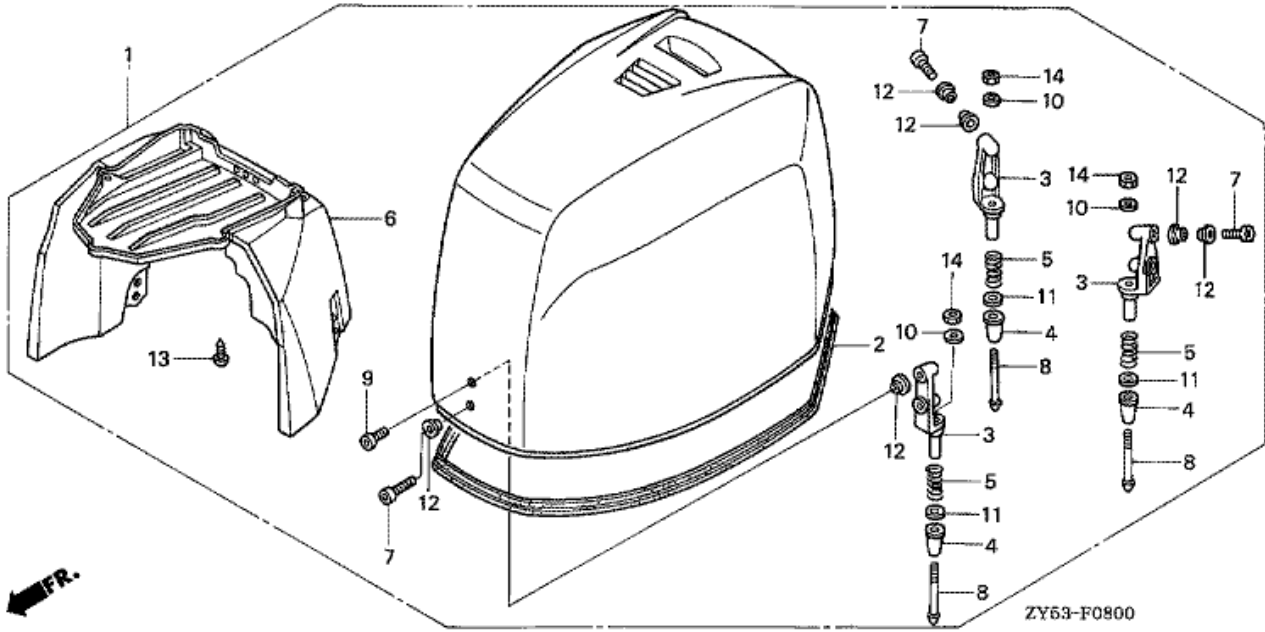


ZY53F0730A

Refnr	Parça Numarası	Açıklama	İlk numara	Son numara	Birim Adedi	Tipler
1	16965VM0771	CLAMP, HOSE			002	LD, LU, XU, XCD
2	32134SM4003	BAND, HARNESS OFFSET (10) (BROWN) (122.5MM)			001	LD, LU, XU, XCD
3	32742PK1003	CLAMP, ENGINE SUB CORD			001	LD, LU, XU, XCD
4	90683KJ2003	CLIP, WIRE HARNESS			001	LD, LU, XU, XCD
5	90683SA0003	CLIP, WIRE HARNESS, 25MM			002	LD, LU, XU, XCD
5	90683SA0003	CLIP, WIRE HARNESS, 25MM		1010487	002	LD, LU, XU
5	90683SA0003	CLIP, WIRE HARNESS, 25MM		1001414	002	XCD
6	91531SZ5003	CLIP, TUBE, 3.5			002	LD, LU, XU, XCD
7	91546SP0A01	CLAMP, 18.5MM			001	LD, LU, XU, XCD
8	90683KJ2003	CLIP, WIRE HARNESS		1001414	001	XCD
8	90683KJ2003	CLIP, WIRE HARNESS			001	LD, LU, XU, XCD
8	90683KJ2003	CLIP, WIRE HARNESS		1010487	001	LD, LU, XU



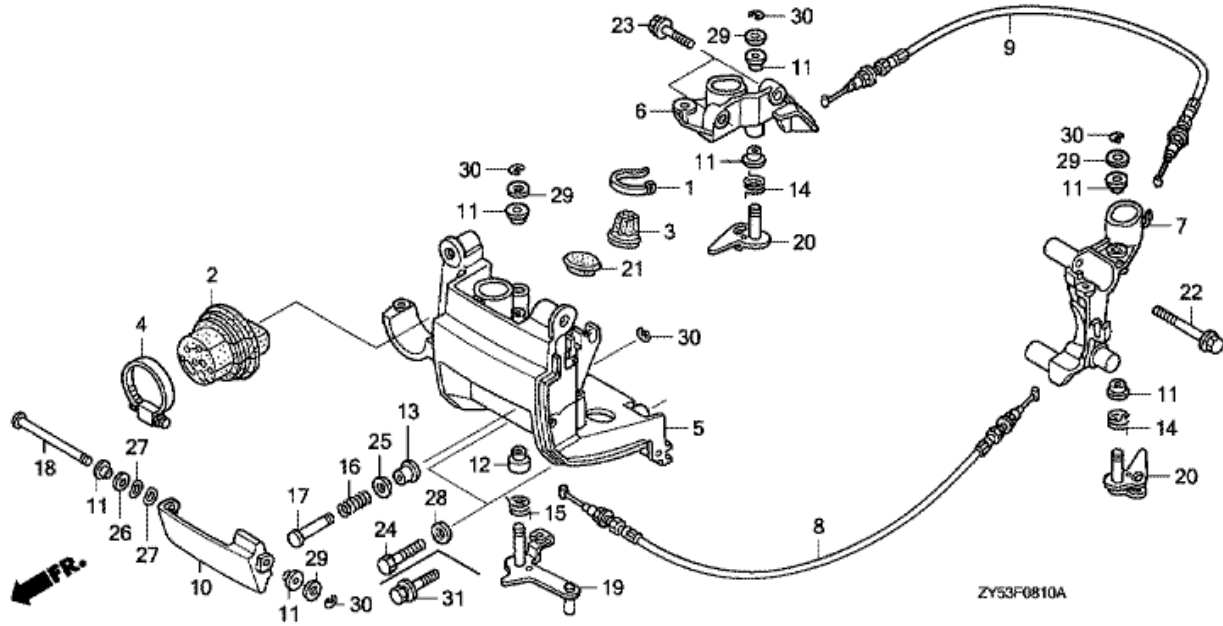
F-8 ENGINE COVER ASSY.



Refnr	Parça Numarası	Açıklama	İlk numara	Son numara	Birim Adedi	Tipler
1	63100ZY6000ZA	COVER ASSY., ENGINE *NH282MU *		1000075	001	LD, XCD
1	63100ZY6000ZA	COVER ASSY., ENGINE *NH282MU *		1000631	001	XCD
1	63100ZY6000ZA	COVER ASSY., ENGINE *NH282MU *		1004600	001	LD
1	63100ZY6010ZA	COVER ASSY., ENGINE *NH282MU *	1004601	1009702	001	LD, LU, XU, XCD
1	63100ZY6010ZA	COVER ASSY., ENGINE *NH282MU *		1009702	001	LU, XU
1	63100ZY6010ZA	COVER ASSY., ENGINE *NH282MU *	1000632	1001322	001	XCD
1	63100ZY6030ZA	COVER ASSY., ENGINE *NH282MU *	1009703		001	LD, LU, XU, XCD
1	63100ZY6030ZA	COVER ASSY., ENGINE *NH282MU *	1001323		001	XCD
2	63102ZY6000	SEAL, ENGINE COVER			001	LD, LU, XU, XCD
2	63102ZY6000	SEAL, ENGINE COVER		1009702	001	LD, LU, XU
2	63102ZY6000	SEAL, ENGINE COVER		1001322	001	XCD
2	63102ZY6010	SEAL, ENGINE COVER	1009703		001	LD, LU, XU, XCD
2	63102ZY6010	SEAL, ENGINE COVER	1001323		001	XCD
3	63107ZY3000	BRACKET, HOOK			003	LD, LU, XU, XCD
4	63108ZY3000	DAMPER, HOOK			003	LD, LU, XU, XCD
5	63119ZY3000	SPRING, LOCK ADJUSTER			003	LD, LU, XU, XCD
6	63144ZY6000	GUIDE, ENGINE COVER AIR			001	LD, LU, XU, XCD
7	90101ZY6000	BOLT, SOCKET, 6X20			005	LD, LU, XU, XCD
8	90109ZY3000	BOLT, COVER LOCK			003	LD, LU, XU, XCD
8	90109ZY3000	BOLT, COVER LOCK		1001338	003	XCD
8	90109ZY3000	BOLT, COVER LOCK		1009822	003	LD, LU, XU
8	90109ZY3010	BOLT, COVER LOCK	1009823		003	LD, LU, XU
8	90109ZY3010	BOLT, COVER LOCK	1001339		003	XCD
9	90133ZY3000	BOLT, SOCKET, 6X16			001	LD, LU, XU, XCD
10	90504921010	WASHER, PLAIN, 6MM			003	LD, LU, XU, XCD
11	90507ZY3000	WASHER, PLAIN, 12MM			003	LD, LU, XU, XCD

12	91556ZY3000	COLLAR, DISTANCE, 6.5X9X3			011	LD, LU, XU, XCD
13	93913141J0	SCREW, TAPPING, 4X10		1000050	008	LD, XCD
13	93913141J0	SCREW, TAPPING, 4X10		1000322	008	XCD
13	93913141J0	SCREW, TAPPING, 4X10		1002203	008	LD
13	93913142J0	SCREW, TAPPING, 4X12	1000528		008	LD, LU, XU, XCD
13	93913142J0	SCREW, TAPPING, 4X12	1002204		008	LD
13	93913142J0	SCREW, TAPPING, 4X12			008	LU, XU
13	93913142J0	SCREW, TAPPING, 4X12	1000323		008	XCD
14	94002064900S	NUT, HEX., 6MM			003	LD, LU, XU, XCD

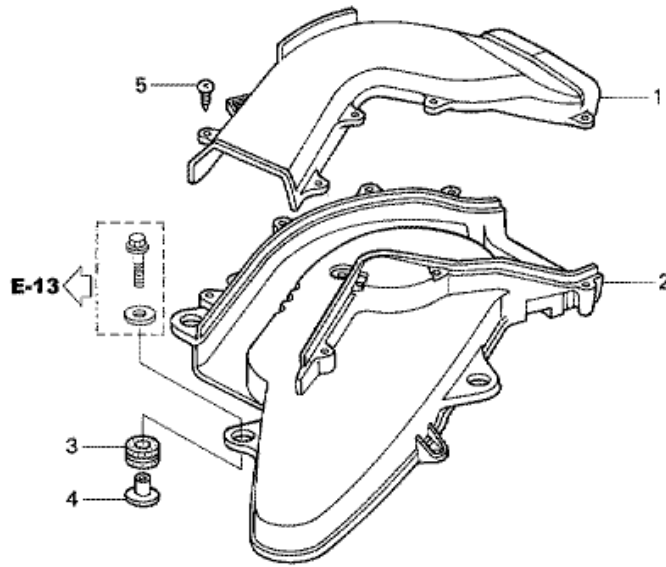
F-8-10 FR. COVER BRACKET/FR. LOCK



Refnr	Parça Numarası	Açıklama	İlk numara	Son numara	Birim Adedi	Tipler
1	35701MG9950	BAND (BLACK 3.5X140)			001	LD, LU, XU, XCD
2	40105ZY6000	GROMMET, REMOTE CONTROL CABLE		1000149	001	LD, LU, XU, XCD
2	40105ZY6000	GROMMET, REMOTE CONTROL CABLE		1006578	001	LD, LU, XU
2	40105ZY6000	GROMMET, REMOTE CONTROL CABLE		1000867	001	XCD
2	40105ZY6010	GROMMET, REMOTE CONTROL CABLE	1000868		001	LD, LU, XU, XCD
2	40105ZY6010	GROMMET, REMOTE CONTROL CABLE	1000868	1001422	001	XCD
2	40105ZY6010	GROMMET, REMOTE CONTROL CABLE	1006579	1010487	001	LD, LU, XU
2	40105ZY6020	GROMMET, REMOTE CONTROL CABLE	1010488		001	LD, LU, XU, XCD
2	40105ZY6020	GROMMET, REMOTE CONTROL CABLE	1001423		001	XCD
3	40107ZW1700	GROMMET, UNDER CASE (C)			001	LD, LU, XU, XCD
4	40119ZY3003	BAND, UNDER CASE GROMMET			001	LD, LU, XU, XCD
5	40154ZY6000ZA	BRACKET, FR. UNDER COVER *NH282MU *			001	LD, LU, XU, XCD
6	40155ZY6000	BRACKET, R. SIDE COVER	1000154		001	LD, LU, XU, XCD
6	40155ZY6000	BRACKET, R. SIDE COVER	1000896		001	LD, LU, XU, XCD
6	40155ZY6000	BRACKET, R. SIDE COVER	1006732		001	LD, LU, XU
6	40155ZY6000ZA	BRACKET, R. SIDE COVER *NH8 *		1006731	001	LD, LU, XU, XCD
6	40155ZY6000ZA	BRACKET, R. SIDE COVER *NH8 *		1000895	001	XCD
7	40157ZY6000	BRACKET, L. SIDE COVER	1000154		001	LD, LU, XU, XCD
7	40157ZY6000	BRACKET, L. SIDE COVER	1000896		001	LD, LU, XU, XCD
7	40157ZY6000	BRACKET, L. SIDE COVER	1006732		001	LD, LU, XU
7	40157ZY6000ZA	BRACKET, L. SIDE COVER *NH8 *		1006731	001	LD, LU, XU, XCD
7	40157ZY6000ZA	BRACKET, L. SIDE COVER *NH8 *		1000895	001	XCD
8	60180ZY6003	CABLE COMP. A, COVER LOCK			001	LD, LU, XU, XCD
9	60185ZY6003	CABLE COMP. B, COVER LOCK			001	LD, LU, XU, XCD

10	63201ZY3000ZA	LEVER, COVER LOCK *NH282MU *			001	LD, LU, XU, XCD
11	63205ZY3000	BUSH A, COVER LOCK			007	LD, LU, XU, XCD
12	63205ZY6000	BUSH A, COVER LOCK			001	LD, LU, XU, XCD
13	63208ZY3000	BUSH B, COVER LOCK			001	LD, LU, XU, XCD
14	63212ZY3000	SPRING, COVER LOCK HOOK			002	LD, LU, XU, XCD
15	63212ZY6000	SPRING, COVER LOCK HOOK			001	LD, LU, XU, XCD
16	63223ZY6000	SPRING, LOCK LEVER RETURN			001	LD, LU, XU, XCD
17	63224ZY3000	SHAFT, COVER OPEN			001	LD, LU, XU, XCD
18	63225ZY6000	SHAFT, FR. LOCK			001	LD, LU, XU, XCD
19	63240ZY6000	LOCK COMP., FR.			001	LD, LU, XU, XCD
20	63260ZY3000	LOCK COMP., SIDE			002	LD, LU, XU, XCD
21	63515ZC0700	CAP, L. SIDE COVER			001	LD, LU, XU, XCD
22	90001ZY6000	BOLT, FLANGE, 8X55			002	LD, LU, XU, XCD
23	90025ZY3000	BOLT, FLANGE, 6X22		1000091	002	LD, LU, XU, XCD
23	90025ZY3000	BOLT, FLANGE, 6X22		1000708	002	XCD
23	90025ZY3000	BOLT, FLANGE, 6X22		1005347	002	LD, LU, XU
23	90030ZY3000	BOLT, FLANGE, 6X22	1005348		002	LD, LU, XU, XCD
23	90030ZY3000	BOLT, FLANGE, 6X22	1000709		002	XCD
24	90102ZV4000	BOLT, HEX., 8X30		1000147	002	LD, LU, XU, XCD
24	90102ZV4000	BOLT, HEX., 8X30		1006411	002	LD, LU, XU
24	90102ZV4000	BOLT, HEX., 8X30		1000862	002	XCD
25	90501MM8610	WASHER, PLAIN, 8MM			001	LD, LU, XU, XCD
26	90502MM8610	WASHER, PLAIN, 10MM			001	LD, LU, XU, XCD
27	90506ZW9000	WASHER, WAVE, 10MM			002	LD, LU, XU, XCD
28	90507ZV4000	WASHER, PLAIN, 8MM		1000147	002	LD, LU, XU, XCD
28	90507ZV4000	WASHER, PLAIN, 8MM		1006411	002	LD, LU, XU
28	90507ZV4000	WASHER, PLAIN, 8MM		1000862	002	XCD
29	90518921000	WASHER, PLAIN, 8MM			004	LD, LU, XU, XCD
30	9454006029	E-RING, 6MM			005	LD, LU, XU, XCD
31	90105ZY6000	BOLT-WASHER, 8X30	1000148		002	LD, LU, XU, XCD
31	90105ZY6000	BOLT-WASHER, 8X30	1006412		002	LD, LU, XU
31	90105ZY6000	BOLT-WASHER, 8X30	1000863		002	XCD

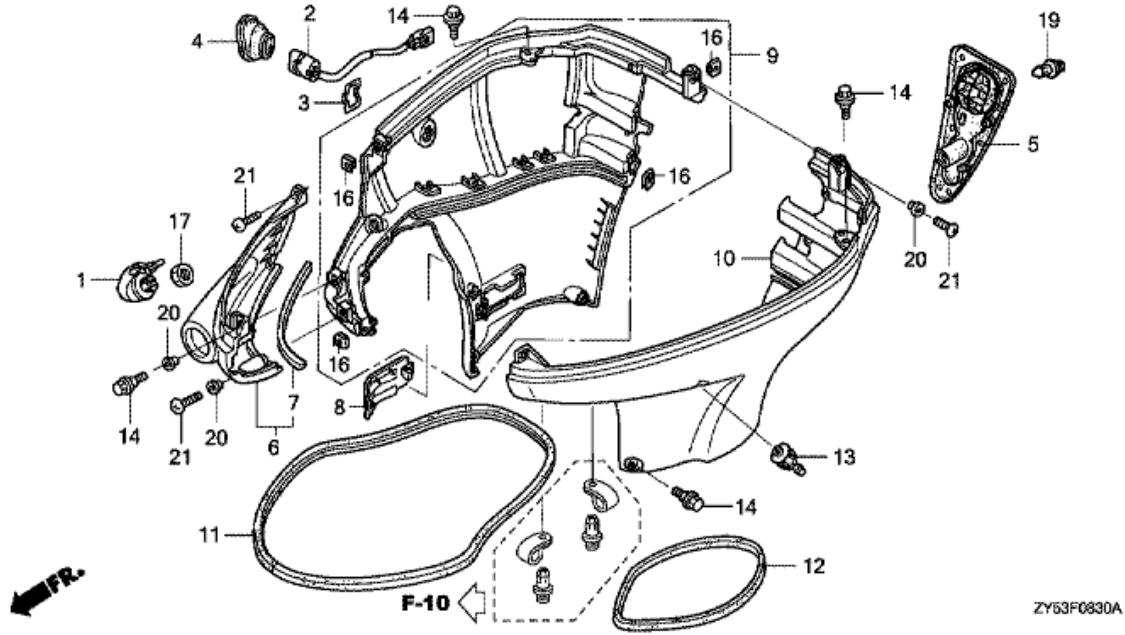
F-8-20 SILENCER DUCT



ZY63-F0820

Refnr	Parça Numarası	Açıklama	İlk numara	Son numara	Birim Adedi	Tipler
1	17431ZY6000	DUCT A, SILENCER			001	LD, LU, XU, XCD
2	17432ZY6000	DUCT B, SILENCER			001	LD, LU, XU, XCD
3	40102ZV5000	GROMMET, UNDER CASE			004	LD, LU, XU, XCD
4	91553ZV5010	COLLAR, C.D.I. UNIT CASE			004	LD, LU, XU, XCD
5	93903254G0	SCREW, TAPPING, 5X20			008	LD, LU, XU, XCD

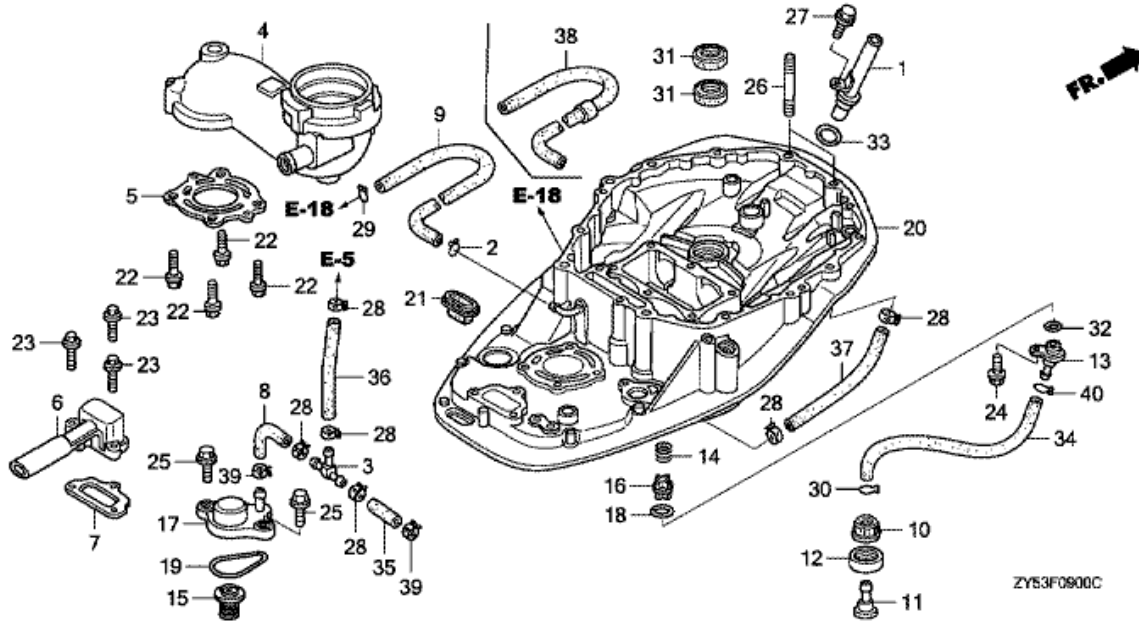
F-8-30 UNDER COVER



Refnr	Parça Numarası	Açıklama	İlk numara	Son numara	Birim Adedi	Tipler
1	19289ZY6000	CAP, WATER JOINT			001	LD, LU, XU, XCD
2	35640ZY6003	SWITCH ASSY., POWER TILT			001	LD, LU, XU, XCD
3	35645ZY3000	STAY, POWER TILT SWITCH			001	LD, LU, XU, XCD
4	40114ZY6000	GROMMET, POWER TILT SWITCH			001	LD, LU, XU, XCD
5	40116ZY6000	GROMMET, UNDER COVER			001	LD, LU, XU, XCD
6	40151ZY6000ZA	COVER, FR. SEPARATE *NH282MU *		1000152	001	LD, LU, XU, XCD
6	40151ZY6000ZA	COVER, FR. SEPARATE *NH282MU *		1006655	001	LD, LU, XU
6	40151ZY6000ZA	COVER, FR. SEPARATE *NH282MU *		1000876	001	XCD
6	40151ZY6010ZA	COVER, FR. SEPARATE *NH282MU *	1006656		001	LD, LU, XU, XCD
6	40151ZY6010ZA	COVER, FR. SEPARATE *NH282MU *	1000877		001	XCD
7	40152ZY6300	SEAL, FR. SEPARATE COVER			001	LD, LU, XU, XCD
8	40212ZY6010ZA	COVER, DRAIN PLUG *NH282MU *		1000152	001	LD, LU, XU, XCD
8	40212ZY6010ZA	COVER, DRAIN PLUG *NH282MU *		1000876	001	LD, LU, XU, XCD
8	40212ZY6010ZA	COVER, DRAIN PLUG *NH282MU *		1006655	001	LD, LU, XU
8	40212ZY6020ZA	COVER, DRAIN PLUG *NH282MU *	1006656		001	LD, LU, XU, XCD
8	40212ZY6020ZA	COVER, DRAIN PLUG *NH282MU *	1000877		001	XCD
9	63711ZY6000ZA	COVER, R. ENGINE UNDER *NH282MU *		1000152	001	LD, LU, XU, XCD
9	63711ZY6000ZA	COVER, R. ENGINE UNDER *NH282MU *		1006655	001	LD, LU, XU
9	63711ZY6000ZA	COVER, R. ENGINE UNDER *NH282MU *		1000876	001	XCD
9	63711ZY6010ZA	COVER, R. ENGINE UNDER *NH282MU *	1000877		001	LD, LU, XU, XCD
9	63711ZY6010ZA	COVER, R. ENGINE UNDER *NH282MU *	1006656		001	LD, LU, XU
10	63716ZY6000ZA	COVER, L. ENGINE UNDER *NH282MU *		1000152	001	LD, LU, XU, XCD
10	63716ZY6000ZA	COVER, L. ENGINE UNDER *NH282MU *		1006655	001	LD, LU, XU
10	63716ZY6000ZA	COVER, L. ENGINE UNDER *NH282MU *		1000876	001	XCD
10	63716ZY6010ZA	COVER, L. ENGINE UNDER *NH282MU *	1006656		001	LD, LU, XU,

						XCD
10	63716ZY6010ZA	COVER, L. ENGINE UNDER *NH282MU *	1000877		001	XCD
11	63718ZY6000	SEAL A, COVER UNDER			001	LD, LU, XU, XCD
12	63719ZY6000	SEAL B, COVER UNDER			001	LD, LU, XU, XCD
13	82873ZY6000	GROMMET, WATER CHECK			001	LD, LU, XU, XCD
14	90111ZY3000	BOLT, SPECIAL, 6X17			012	LD, LU, XU, XCD
16	90301ZY6000	NUT, CLIP			006	LD, LU, XU, XCD
17	90302921000	NUT, HEX., 16MM			001	LD, LU, XU, XCD
19	90653HC4900	CLIP, MUDGUARD			006	LD, LU, XU, XCD
20	91553ZY6000	COLLAR, DISTANCE, 6.5X9X5			006	LD, LU, XU, XCD
20	91553ZY6000	COLLAR, DISTANCE, 6.5X9X5			007	LD, XCD
21	93500060254J	SCREW, PAN, 6X25			006	LD, LU, XU, XCD

F-9 MOUNT CASE



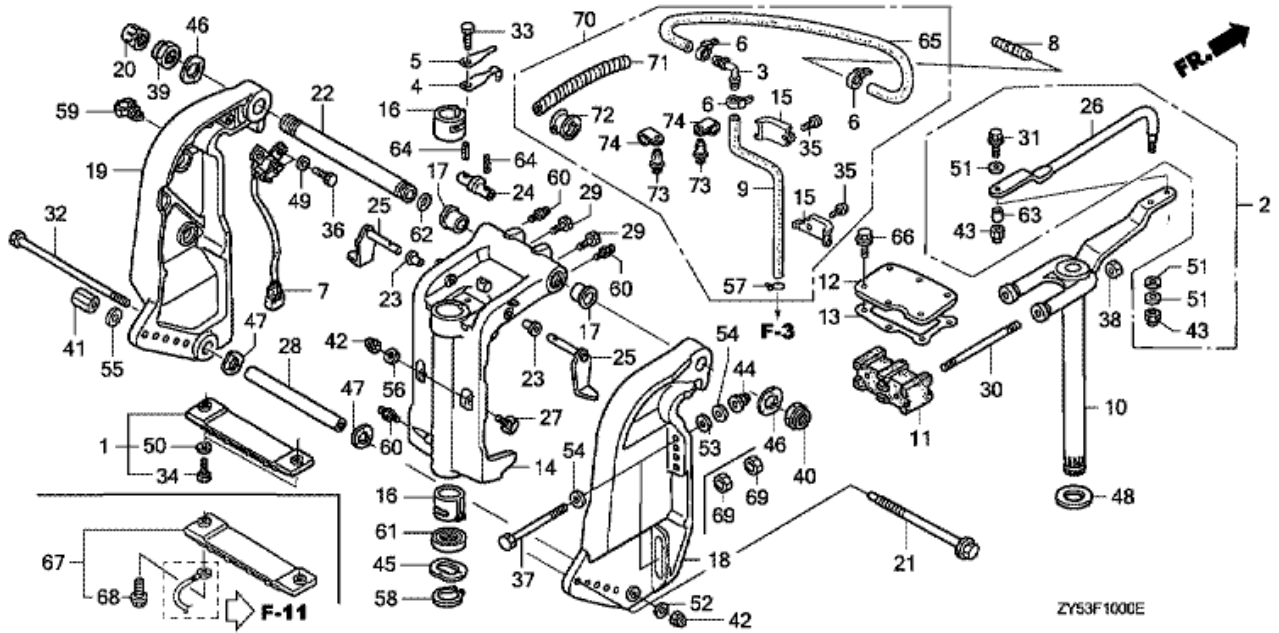
Refnr	Parça Numarası	Açıklama	İlk numara	Son numara	Birim Adedi	Tipler
1	15665ZW1020	PIPE COMP., OIL LEVEL			001	LD, LU, XU, XCD
2	16163GHB610	CLIP, TUBE			001	LD, LU, XU, XCD
3	17195MN5000	T-JOINT			001	LD, LU, XU, XCD
4	18130ZY6000ZA	GUIDE COMP., EX. *NH8 *			001	LD, LU, XU, XCD
5	18135ZY6003	GASKET, EX. GUIDE			001	LD, LU, XU, XCD
6	18211ZY6000	PORT, IDLE EXHAUST	1000150		001	LD, LU, XU, XCD
6	18211ZY6000	PORT, IDLE EXHAUST	1000871		001	LD, LU, XU, XCD
6	18211ZY6000	PORT, IDLE EXHAUST	1006585		001	LD, LU, XU
6	18211ZY6000ZA	PORT, IDLE EXHAUST *NH8 *		1000870	001	LD, LU, XU, XCD
6	18211ZY6000ZA	PORT, IDLE EXHAUST *NH8 *		1000149	001	LD, LU, XU, XCD
6	18211ZY6000ZA	PORT, IDLE EXHAUST *NH8 *		1006584	001	LD, LU, XU
7	18212ZY6000	GASKET, IDLE EX. PORT			001	LD, LU, XU, XCD
8	19256ZY6000	TUBE, WATER RELIEF			001	LD, LU, XU, XCD
9	19267ZY6000	TUBE F, WATER		1004418	001	LD
9	19267ZY6000	TUBE F, WATER		1000068	001	LD, XCD
9	19267ZY6000	TUBE F, WATER		1000608	001	XCD
10	19270ZY3000	NUT, WATER MOUTH			001	LD, LU, XU, XCD
11	19271ZY3000	JOINT, WATER HOSE			001	LD, LU, XU, XCD
12	19272ZY3000	SEAT, WATER MOUTH			001	LD, LU, XU, XCD
13	19277ZY3000ZA	COVER, FLUSH VALVE *NH8 *			001	LD, LU, XU, XCD
13	19277ZY3000ZA	COVER, FLUSH VALVE *NH8 *		1001414	001	XCD
13	19277ZY3000ZA	COVER, FLUSH VALVE *NH8 *		1010487	001	LD, LU, XU
13	19277ZZ3000	COVER, FLUSH VALVE	1003841		001	LD, LU, XU, XCD



13	19277ZZ3000	COVER, FLUSH VALVE	1001415		001	XCD
13	19277ZZ3000	COVER, FLUSH VALVE	1010488		001	LD, LU, XU
14	19279ZW9000	SPRING, FLUSH VALVE			001	LD, LU, XU, XCD
15	19290ZY6003	VALVE ASSY., RELIEF			001	LD, LU, XU, XCD
16	19291ZW9000	VALVE, FLASH			001	LD, LU, XU, XCD
17	19295ZY6000	COVER, RELIEF VALVE			001	LD, LU, XU, XCD
18	19297ZW9000	PACKING, FLASH VALVE			001	LD, LU, XU, XCD
19	19317ZW9000	O-RING, THERMOSTAT COVER			001	LD, LU, XU, XCD
20	23170ZY6000ZA	CASE COMP., MOUNT *NH8 *			001	LD, LU, XU, XCD
21	23173ZY3000	RUBBER, MOUNT CASE SEAL			001	LD, LU, XU, XCD
21	23173ZY3000	RUBBER, MOUNT CASE SEAL		1001338	001	XCD
21	23173ZY3000	RUBBER, MOUNT CASE SEAL		1009822	001	LD, LU, XU
21	23173ZY3010	RUBBER, MOUNT CASE SEAL	1009823		001	LD, LU, XU, XCD
21	23173ZY3010	RUBBER, MOUNT CASE SEAL	1001339		001	XCD
22	90014ZY6000	BOLT, FLANGE, 8X30			004	LD, LU, XU, XCD
23	90016ZW9000	BOLT, FLANGE, 6X25			003	LD, LU, XU, XCD
24	90017ZY3000	BOLT, FLANGE, 6X16			001	LD, LU, XU, XCD
25	90025ZY3000	BOLT, FLANGE, 6X22		1000708	002	XCD
25	90025ZY3000	BOLT, FLANGE, 6X22		1005347	002	LD, LU, XU
25	90025ZY3000	BOLT, FLANGE, 6X22		1000091	002	LD, LU, XU, XCD
25	90030ZY3000	BOLT, FLANGE, 6X22	1005348		002	LD, LU, XU
25	90030ZY3000	BOLT, FLANGE, 6X22	1000709		002	XCD
26	90045ZY6000	BOLT, STUD, 10X55			002	LD, LU, XU, XCD
27	90056ZY3000	BOLT, FLANGE, 6X12			001	LD, LU, XU, XCD
28	90601ZY3010	CLAMP, TUBE (D10.5)		1002435	006	LD, LU, XU, XCD
28	90601ZY3010	CLAMP, TUBE (D10.5)			006	LD, LU, XU, XCD
28	90601ZY3010	CLAMP, TUBE (D10.5)		1007418	006	LD, LU, XU
28	90601ZY3010	CLAMP, TUBE (D10.5)		1000960	006	XCD
28	90601ZY3020	CLAMP, TUBE (D10.5)	1000168	1000181	006	LD, LU, XU, XCD
28	90601ZY3020	CLAMP, TUBE (D10.5)	1007419	1007793	006	LD, LU, XU
28	90601ZY3020	CLAMP, TUBE (D10.5)	1000961	1000982	006	XCD
28	90601ZY3030	CLAMP, TUBE (D10.5)	1007794		006	LD, LU, XU, XCD
28	90601ZY3030	CLAMP, TUBE (D10.5)	1000983		006	XCD
29	90604881000	CLIP, TUBE (B12)		1000100	001	LD, LU, XU, XCD
29	90604881000	CLIP, TUBE (B12)		1005480	001	LD, LU, XU
29	90604881000	CLIP, TUBE (B12)		1000737	001	XCD
29	90604ZV0000	CLIP, TUBE (B12)	1000101		001	LD, LU, XU, XCD
29	90604ZV0000	CLIP, TUBE (B12)	1005481		001	LD, LU, XU
29	90604ZV0000	CLIP, TUBE (B12)	1000738		001	XCD
30	90651ZY6000	CLIP B1, TUBE			001	LD, LU, XU, XCD
31	91202ZW5003	SEAL, WATER, 22X35X7			002	LD, LU, XU, XCD
32	91303800000	O-RING, 16MM			001	LD, LU, XU, XCD
33	91309PJ7010	O-RING, 11.5X3.5			001	LD, LU, XU, XCD
34	950018030040	TUBE, FUEL, 8X300 (95001-80001-60M)			001	LD, LU, XU,

						XCD
35	950057004030	TUBE, 7X40 (95005-70001-30M)			001	LD, LU, XU, XCD
36	950057016030	TUBE, 7X160 (95005-70001-30M)			001	LD, LU, XU, XCD
37	950057020030	TUBE, 7X200 (95005-70001-30M)			001	LD, LU, XU, XCD
38	19267ZY6010	TUBE F, WATER			001	LD, LU, XU, XCD
38	19267ZY6010	TUBE F, WATER	1000609		001	XCD
38	19267ZY6010	TUBE F, WATER	1004419		001	LD
39	90601ZY3030	CLAMP, TUBE (D10.5)			002	LD, LU, XU, XCD
39	90601ZY3030	CLAMP, TUBE (D10.5)		1008182	002	LD, LU, XU
39	90601ZY3030	CLAMP, TUBE (D10.5)		1008132	002	XCD
39	90606ZY6003	CLAMP, TUBE (D10.5)	1008183		002	LD, LU, XU, XCD
39	90606ZY6003	CLAMP, TUBE (D10.5)	1008133		002	XCD
40	90651ZY6000	CLIP B1, TUBE			001	LD, LU, XU, XCD
40	90651ZY6000	CLIP B1, TUBE		1010487	001	LD, LU, XU
40	90651ZY6000	CLIP B1, TUBE		1001414	001	XCD

F-10 STERN BRACKET/SWIVEL CASE



Refnr	Parça Numarası	Açıklama	İlk numara	Son numara	Birim Adedi	Tipler
1	06411ZW1000	METAL KIT, ANODE		1000090	(1)	LD, LU, XU, XCD
1	06411ZW1000	METAL KIT, ANODE		1000707	(1)	LD, LU, XU
1	06411ZW1000	METAL KIT, ANODE		1000703	(1)	XCD
2	06532ZY6U00	ROD KIT, STEERING			(1)	LD, LU, XU, XCD
3	17357GE1670	JOINT A, BREATHER			001	LD, LU, XU, XCD
3	17357GE1670	JOINT A, BREATHER		1001414	001	XCD
3	17357GE1670	JOINT A, BREATHER	1010488		(1)	LD, LU, XU
3	17357GE1670	JOINT A, BREATHER		1000313	001	LD, LU, XU, XCD
3	17357GE1670	JOINT A, BREATHER		1010487	001	LD, LU, XU
3	17357GE1670	JOINT A, BREATHER	1001415		(1)	XCD
4	24210ZV1010	SPRING COMP., CLICK			001	LD, LU, XU, XCD
5	24221ZV4010	SPRING, CLICK ASSIST			001	LD, LU, XU, XCD
6	32161KM3003	BAND, WIRE		1000313	003	LD, LU, XU, XCD
6	32161KM3003	BAND, WIRE		1010487	003	LD, LU, XU
6	32161KM3003	BAND, WIRE	1010488		(3)	LD, LU, XU
6	32161KM3003	BAND, WIRE			003	LD, LU, XU, XCD
6	32161KM3003	BAND, WIRE	1001415		(3)	XCD
6	32161KM3003	BAND, WIRE		1001414	003	XCD
7	35660ZY6003	SENSOR ASSY., TRIM ANGLE			001	LD, LU, XU, XCD
7	35660ZY6003	SENSOR ASSY., TRIM ANGLE		1001414	001	XCD
7	35660ZY6003	SENSOR ASSY., TRIM ANGLE		1010487	001	LD, LU, XU
7	35660ZY6013	SENSOR ASSY., TRIM ANGLE	1010488		001	LD, LU, XU, XCD
7	35660ZY6013	SENSOR ASSY., TRIM ANGLE	1001415		001	XCD
8	41171ZV5000	END, NIPPLE			001	LD, LU, XU, XCD
8	41171ZV5000	END, NIPPLE		1010487	001	LD, LU, XU
8	41171ZV5000	END, NIPPLE		1001414	001	XCD
9	41173ZY6000	TUBE, SPEED SENSOR			001	LD, LU, XU, XCD

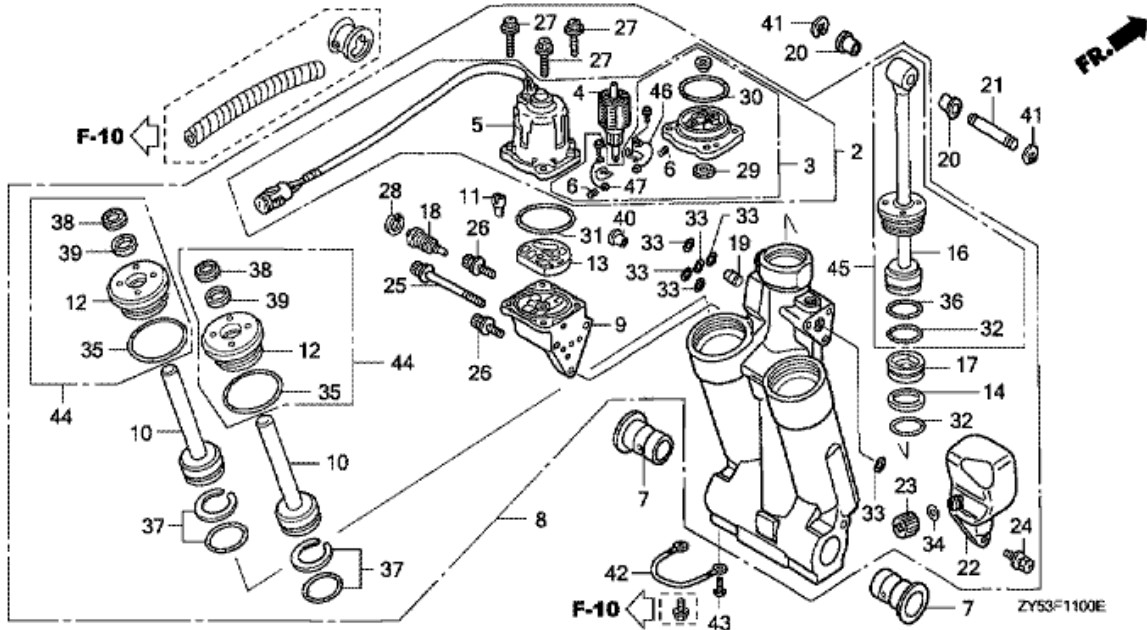
9	41173ZY6000	TUBE, SPEED SENSOR		1001414	001	XCD
9	41173ZY6000	TUBE, SPEED SENSOR	1010488		(1)	LD, LU, XU
9	41173ZY6000	TUBE, SPEED SENSOR		1000313	001	LD, LU, XU, XCD
9	41173ZY6000	TUBE, SPEED SENSOR		1010487	001	LD, LU, XU
9	41173ZY6000	TUBE, SPEED SENSOR	1001415		(1)	XCD
10	50100ZY6000	FRAME COMP., MOUNTING			001	LD, LU, XU, XCD
11	50151ZW5000	MOUNT COMP., UPPER RUBBER			001	LD, LU, XU, XCD
12	50167ZY6000	HOLDER, UPPER MOUNTING			001	LD, LU, XU, XCD
13	50168ZY6003	GASKET, UPPER MOUNTING HOLDER			001	LD, LU, XU, XCD
14	50201ZW1020ZA	CASE, SWIVEL *NH282MU *		1007550	001	LD, LU, XU
14	50201ZW1020ZA	CASE, SWIVEL *NH282MU *			001	LD, LU, XU, XCD
14	50201ZW1020ZA	CASE, SWIVEL *NH282MU *		1000960	001	XCD
14	50201ZW1030ZA	CASE, SWIVEL *NH282MU *	1007551		001	LD, LU, XU, XCD
14	50201ZW1030ZA	CASE, SWIVEL *NH282MU *	1000961		001	XCD
15	50209ZY6000	PLATE, SPEED SENSOR TUBE		1000313	002	LD, LU, XU, XCD
15	50209ZY6000	PLATE, SPEED SENSOR TUBE		1010487	002	LD, LU, XU
15	50209ZY6000	PLATE, SPEED SENSOR TUBE	1010488		(2)	LD, LU, XU
15	50209ZY6000	PLATE, SPEED SENSOR TUBE			002	LD, LU, XU, XCD
15	50209ZY6000	PLATE, SPEED SENSOR TUBE	1001415		(2)	XCD
15	50209ZY6000	PLATE, SPEED SENSOR TUBE		1001414	002	XCD
16	50211ZV5003	LINER, SWIVEL CASE			002	LD, LU, XU, XCD
17	50214ZW1000	BUSH, SWIVEL CASE			002	LD, LU, XU, XCD
18	50301ZW1040ZA	BRACKET, R. STERN *NH282MU *			001	LD, LU, XU, XCD
18	50301ZW1040ZA	BRACKET, R. STERN *NH282MU *		1007639	001	LD, LU, XU
18	50301ZW1040ZA	BRACKET, R. STERN *NH282MU *		1000968	001	XCD
18	50301ZW1050ZA	BRACKET, R. STERN *NH282MU *	1007640		001	LD, LU, XU, XCD
18	50301ZW1050ZA	BRACKET, R. STERN *NH282MU *	1000969		001	XCD
19	50311ZW1040ZA	BRACKET, L. STERN *NH282MU *		1007639	001	LD, LU, XU
19	50311ZW1040ZA	BRACKET, L. STERN *NH282MU *			001	LD, LU, XU, XCD
19	50311ZW1040ZA	BRACKET, L. STERN *NH282MU *		1000968	001	XCD
19	50311ZW1050ZA	BRACKET, L. STERN *NH282MU *	1007640		001	LD, LU, XU
19	50311ZW1050ZA	BRACKET, L. STERN *NH282MU *	1000175		001	LD, LU, XU, XCD
19	50311ZW1050ZA	BRACKET, L. STERN *NH282MU *	1000969		001	XCD
20	50331ZV5000	CAP, TILTING BOLT			001	LD, LU, XU, XCD
21	50341ZW5010	ROD, ADJUSTING			(1)	LD, LU, XU, XCD
22	50381ZY3000	SHAFT, TILTING			001	LD, LU, XU, XCD
23	50522ZV5000	BUSH, TILT ARM			002	LD, LU, XU, XCD
24	50527ZW1000	BRACKET, TILTING			001	LD, LU, XU, XCD
25	50529ZW1000	STOPPER, TILT			002	LD, LU, XU, XCD
26	53238ZW1010	ROD, STEERING			(1)	LD, LU, XU, XCD
27	56516ZW1000	RECEIVER, THRUST			002	LD, LU, XU, XCD
28	56539ZW1000	COLLAR, LOWER CYLINDER			001	LD, LU, XU, XCD
29	90102ZW1000	BOLT, 1/4-28UNF			002	LD, LU, XU, XCD
30	90102ZY6000	BOLT, STUD, 12X145			002	LD, LU, XU,

						XCD
31	90105ZW1000	BOLT, 3/8-24UNF			(1)	LD, LU, XU, XCD
32	90108ZW1000	BOLT, HEX., 10X235			001	LD, LU, XU, XCD
33	90110881000	BOLT, HEX., 6X14			001	LD, LU, XU, XCD
34	90113ZV5000	BOLT, HEX., 6X25		1000090	(2)	LD, LU, XU, XCD
34	90113ZV5000	BOLT, HEX., 6X25		1000703	(2)	XCD
34	90113ZV5000	BOLT, HEX., 6X25		1000707	(2)	LD, LU, XU
35	90119ZV5000	SCREW, PAN, 6X8		1000313	002	LD, LU, XU, XCD
35	90119ZV5000	SCREW, PAN, 6X8		1010487	002	LD, LU, XU
35	90119ZV5000	SCREW, PAN, 6X8	1010488		(2)	LD, LU, XU
35	90119ZV5000	SCREW, PAN, 6X8			002	LD, LU, XU, XCD
35	90119ZV5000	SCREW, PAN, 6X8	1001415		(2)	XCD
35	90119ZV5000	SCREW, PAN, 6X8		1001414	002	XCD
36	90105ZW9000	BOLT, FLANGE, 6X20	1000704		002	XCD
36	90105ZW9000	BOLT, FLANGE, 6X20	1000091		002	LD, LU, XU, XCD
36	90105ZW9000	BOLT, FLANGE, 6X20	1005298		002	LD, LU, XU
36	90124ZV4000	BOLT, HEX., 6X20		1005297	002	LD, LU, XU, XCD
36	90124ZV4000	BOLT, HEX., 6X20		1000703	002	XCD
37	90129ZW1010	BOLT, HEX., 12X119			006	LD, LU, XU, XCD
37	90129ZW1010	BOLT, HEX., 12X119		1001338	006	XCD
37	90129ZW1010	BOLT, HEX., 12X119		1009822	006	LD, LU, XU
37	90129ZZ3000	BOLT, HEX., 12X119	1009823		006	LD, LU, XU
37	90129ZZ3000	BOLT, HEX., 12X119	1001339		006	XCD
38	90302ZW5003	NUT, FLANGE, 12MM			002	LD, LU, XU, XCD
39	90304ZV5013	NUT, SELF-LOCK (7/8-14UNF)			001	LD, LU, XU, XCD
40	90304ZW1013	NUT, SELF-LOCK (25X2.0)			001	LD, LU, XU, XCD
41	90304ZW5000	NUT, ADJUSTER ROD			(1)	LD, LU, XU, XCD
42	90306ZV5003	NUT, SELF-LOCK, 10MM			003	LD, LU, XU, XCD
42	90306ZV5003	NUT, SELF-LOCK, 10MM		1001414	003	XCD
42	90306ZV5003	NUT, SELF-LOCK, 10MM		1010487	003	LD, LU, XU
42	90306ZW4003	NUT, FLANGE, 10MM	1010488		003	LD, LU, XU
42	90306ZW4003	NUT, FLANGE, 10MM	1003841		003	LD, LU, XU, XCD
42	90306ZW4003	NUT, FLANGE, 10MM	1001415		003	XCD
43	90307ZV5003	NUT, SELF-LOCK (3/8-24UNF)			(2)	LD, LU, XU, XCD
44	90308ZW1003	NUT, SELF-LOCK, 12MM			006	LD, LU, XU, XCD
44	90308ZW1003	NUT, SELF-LOCK, 12MM		1000973	006	XCD
44	90308ZW1003	NUT, SELF-LOCK, 12MM		1007663	006	LD, LU, XU
45	90501ZV5000	WASHER, WAVE, 40MM			001	LD, LU, XU, XCD
46	90502ZV5000	WASHER, WAVE, 26MM			002	LD, LU, XU, XCD
47	90502ZW1000	WASHER, WAVE, 32MM		1000132	002	LD, LU, XU, XCD
47	90502ZW1000	WASHER, WAVE, 32MM		1006180	002	LD, LU, XU
47	90502ZW1000	WASHER, WAVE, 32MM		1000827	002	XCD
48	90504ZV5000	WASHER, THRUST, 34MM			001	LD, LU, XU, XCD
49	90504921010	WASHER, PLAIN, 6MM		1000703	002	XCD
49	90504921010	WASHER, PLAIN, 6MM		1000090	002	LD, LU, XU, XCD
49	90504921010	WASHER, PLAIN, 6MM		1005297	002	LD, LU, XU

50	90506ZV4000	WASHER, PLAIN, 6MM		1000090	(2)	LD, LU, XU, XCD
50	90506ZV4000	WASHER, PLAIN, 6MM		1000707	(2)	LD, LU, XU
50	90506ZV4000	WASHER, PLAIN, 6MM		1000703	(2)	XCD
51	90514ZV4000	WASHER, 10MM			(3)	LD, LU, XU, XCD
52	90545ZV5000	WASHER, PLAIN, 10MM			001	LD, LU, XU, XCD
53	90552ZV5000	WASHER, PLAIN, 12MM			006	LD, LU, XU, XCD
54	90559ZV5000	WASHER, PLAIN, 12MM			012	LD, LU, XU, XCD
55	90559ZV5000	WASHER, PLAIN, 12MM			(1)	LD, LU, XU, XCD
56	90563ZV5000	WASHER, PLAIN, 10MM			002	LD, LU, XU, XCD
57	90602921000	CLIP, TUBE (B8)			001	LD, LU, XU, XCD
57	90602921000	CLIP, TUBE (B8)		1001414	001	XCD
57	90602921000	CLIP, TUBE (B8)	1010488		(1)	LD, LU, XU
57	90602921000	CLIP, TUBE (B8)		1000313	001	LD, LU, XU, XCD
57	90602921000	CLIP, TUBE (B8)		1010487	001	LD, LU, XU
57	90602921000	CLIP, TUBE (B8)	1001415		(1)	XCD
58	90651ZV5000	CIRCLIP, EXTERNAL, 39MM	1001893		001	LD, LU, XU, XCD
58	90651ZV5000	CIRCLIP, EXTERNAL, 39MM	1006378		001	LD, LU, XU
58	90651ZV5000	CIRCLIP, EXTERNAL, 39MM	1000865		001	XCD
58	90651ZW3H00	CIRCLIP, EXTERNAL, 39MM		1001892	001	LD, LU, XU, XCD
58	90651ZW3H00	CIRCLIP, EXTERNAL, 39MM		1000864	001	XCD
58	90651ZW3H00	CIRCLIP, EXTERNAL, 39MM		1006377	001	LD, LU, XU
59	90681763A01	CLIP, WIRE HARNESS			001	LD, LU, XU, XCD
60	90951ZV7010	NIPPLE, GREASE			003	LD, LU, XU, XCD
61	91256ZV5003	OIL SEAL, 39.5X52X6 (ARAI)			001	LD, LU, XU, XCD
62	91352ZV5000	O-RING, 15.54X2.26			001	LD, LU, XU, XCD
63	91560ZV5000	COLLAR, STEERING ROD			(1)	LD, LU, XU, XCD
64	9430525203	PIN, SPRING, 2.5X20			002	LD, LU, XU, XCD
65	950055095030	TUBE, 5X950 (95005-50001-30M)			001	LD, LU, XU, XCD
65	950055095030	TUBE, 5X950 (95005-50001-30M)		1000313	001	LD, LU, XU, XCD
65	950055095030	TUBE, 5X950 (95005-50001-30M)		1010487	001	LD, LU, XU
65	950055095030	TUBE, 5X950 (95005-50001-30M)	1001415		(1)	XCD
65	950055095030	TUBE, 5X950 (95005-50001-30M)		1001414	001	XCD
65	950055095030	TUBE, 5X950 (95005-50001-30M)	1010488		(1)	LD, LU, XU
66	958010803509	BOLT, FLANGE, 8X35			006	LD, LU, XU, XCD
67	06411ZW1010	METAL KIT, ANODE	1700708	1006180	(1)	LD, LU, XU
67	06411ZW1010	METAL KIT, ANODE		1000132	(1)	LD, LU, XU, XCD
67	06411ZW1010	METAL KIT, ANODE	1000704	1000827	(1)	XCD
67	06411ZW1020	METAL KIT, ANODE	1006181		(1)	LD, LU, XU
67	06411ZW1020	METAL KIT, ANODE	1000828		(1)	XCD
68	90009ZW9000	BOLT, FLANGE, 6X23			002	LD, LU, XU, XCD
68	90009ZW9000	BOLT, FLANGE, 6X23	1000704		002	XCD
68	90009ZW9000	BOLT, FLANGE, 6X23	1000708		002	LD, LU, XU
69	94001124900S	NUT, HEX., 12MM	1000177		012	LD, LU, XU, XCD
69	94001124900S	NUT, HEX., 12MM	1007664		012	LD, LU, XU
69	94001124900S	NUT, HEX., 12MM	1000974		012	XCD

70	06411ZY6000	TUBE KIT, SPEED SENSOR	1000314		(1)	LD, LU, XU, XCD
70	06411ZY6000	TUBE KIT, SPEED SENSOR	1010488		(1)	LD, LU, XU
70	06411ZY6000	TUBE KIT, SPEED SENSOR	1001415		(1)	XCD
71	36104ZV5821	TUBE, SPIRAL	1001415		001	LD, LU, XU, XCD
71	36104ZV5821	TUBE, SPIRAL	1010488		001	LD, LU, XU
71	36104ZY6003	TUBE, SPIRAL	1010488		(1)	LD, LU, XU, XCD
71	36104ZY6003	TUBE, SPIRAL	1001415		(1)	XCD
71	36104ZY6003	TUBE, SPIRAL		1010487	001	LD, LU, XU, XCD
71	36104ZY6003	TUBE, SPIRAL		1001414	001	XCD
72	56118ZV5820	BUSH, MOTOR CODE	1001415		001	LD, LU, XU, XCD
72	56118ZV5820	BUSH, MOTOR CODE	1010488		001	LD, LU, XU
72	56118ZY6000	BUSH, MOTOR CODE		1003840	001	LD, LU, XU, XCD
72	56118ZY6000	BUSH, MOTOR CODE	1010488		(1)	LD, LU, XU, XCD
72	56118ZY6000	BUSH, MOTOR CODE		1001414	001	XCD
72	56118ZY6000	BUSH, MOTOR CODE		1010487	001	LD, LU, XU
72	56118ZY6000	BUSH, MOTOR CODE	1001415		(1)	XCD
73	90127ZV5003	SCREW, RIVET, 5X10			002	LD, LU, XU, XCD
73	90127ZV5003	SCREW, RIVET, 5X10		1000313	002	LD, LU, XU, XCD
73	90127ZV5003	SCREW, RIVET, 5X10	1001415		(2)	XCD
73	90127ZV5003	SCREW, RIVET, 5X10		1001414	002	XCD
73	90127ZV5003	SCREW, RIVET, 5X10	1010488		(2)	LD, LU, XU
73	90127ZV5003	SCREW, RIVET, 5X10		1010487	002	LD, LU, XU
74	90602SB0003	CLIP, 10.7MM	1010488		002	LD, LU, XU, XCD
74	90626ZB5730	CLIP (10.7MM)	1001415		002	XCD
74	90626ZB5730	CLIP (10.7MM)	1003841		002	LD, LU, XU, XCD
74	90626ZB5730	CLIP (10.7MM)	1010488		002	LD, LU, XU
74	90628750000	CLIP (14MM)		1010487	002	LD, LU, XU
74	90628750000	CLIP (14MM)		1000313	002	LD, LU, XU, XCD
74	90628750000	CLIP (14MM)	1010488		(2)	LD, LU, XU, XCD
74	90628750000	CLIP (14MM)	1001415		(2)	XCD
74	90628750000	CLIP (14MM)		1001414	002	XCD

F-11 POWER TRIM-TILT



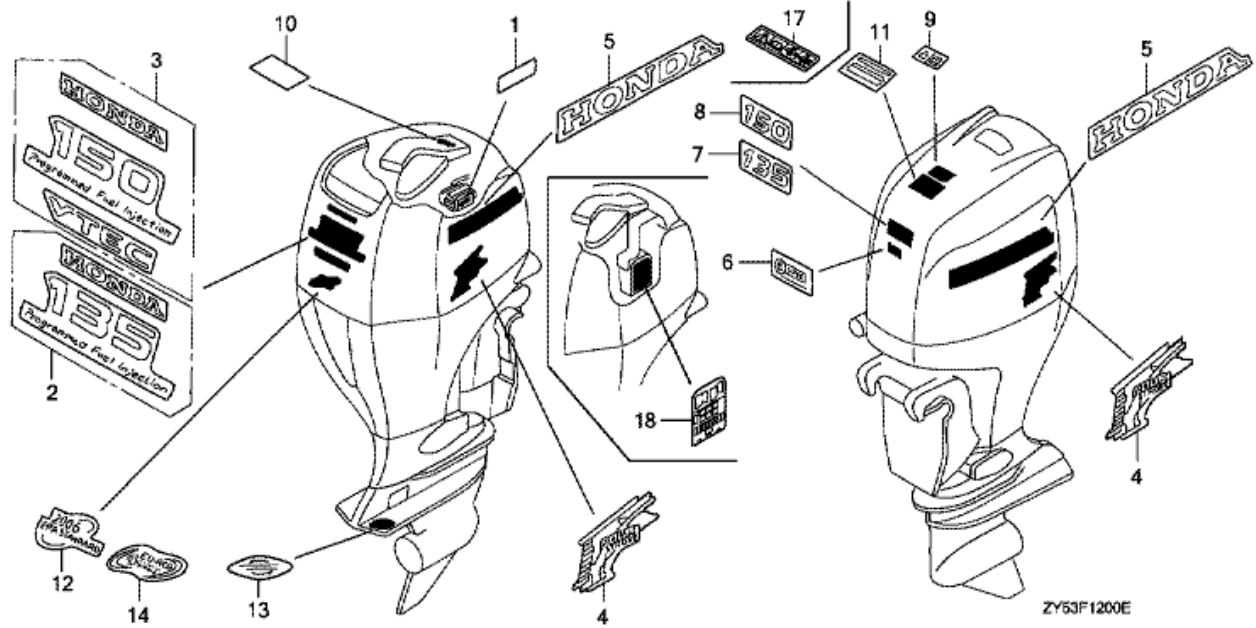
Refnr	Parça Numarası	Açıklama	İlk numara	Son numara	Birim Adedi	Tipler
2	36120ZY6003	MOTOR ASSY., POWER TILT		1000096	001	LD, LU, XU, XCD
2	36120ZY6003	MOTOR ASSY., POWER TILT		1005480	001	LD, LU, XU
2	36120ZY6003	MOTOR ASSY., POWER TILT		1000737	001	XCD
2	36120ZY6013	MOTOR ASSY., POWER TILT	1005481		001	LD, LU, XU, XCD
2	36120ZY6013	MOTOR ASSY., POWER TILT	1000738		001	XCD
3	36122ZY3003	BRACKET ASSY.		1000737	001	XCD
3	36122ZY3003	BRACKET ASSY.		1005480	001	LD, LU, XU
3	36122ZY3003	BRACKET ASSY.		1000096	001	LD, LU, XU, XCD
3	36122ZY3013	BRACKET ASSY.	1005481		001	LD, LU, XU
3	36122ZY3013	BRACKET ASSY.	1000738		001	XCD
4	36123ZY3003	ARMATURE COMP.		1000096	001	LD, LU, XU, XCD
4	36123ZY3003	ARMATURE COMP.		1000737	001	XCD
4	36123ZY3003	ARMATURE COMP.		1005480	001	LD, LU, XU
4	36123ZY3013	ARMATURE COMP.	1005481		001	LD, LU, XU, XCD
4	36123ZY3013	ARMATURE COMP.	1000738		001	XCD
5	36129ZY6003	YOKE ASSY.		1005480	001	LD, LU, XU
5	36129ZY6003	YOKE ASSY.		1000096	001	LD, LU, XU, XCD
5	36129ZY6003	YOKE ASSY.		1000737	001	XCD
5	36129ZY6013	YOKE ASSY.	1005481		001	LD, LU, XU, XCD
5	36129ZY6013	YOKE ASSY.	1000738		001	XCD
6	36136ZV5821	SPRING, MOTOR			002	LD, LU, XU, XCD
7	50214ZV5003	BUSH, SWIVEL CASE			002	LD, LU, XU, XCD
8	56000ZY6003	TRIM-TILT ASSY., POWER		1000096	001	LD, LU, XU, XCD
8	56000ZY6003	TRIM-TILT ASSY., POWER		1005480	001	LD, LU, XU
8	56000ZY6003	TRIM-TILT ASSY., POWER		1000737	001	XCD
8	56000ZY6013	TRIM-TILT ASSY., POWER	1005481	1006180	001	LD, LU, XU, XCD
8	56000ZY6013	TRIM-TILT ASSY., POWER	1000738	1000827	001	XCD



8	56000ZY6023	TRIM-TILT ASSY., POWER	1000828	1000968	001	LD, LU, XU, XCD
8	56000ZY6023	TRIM-TILT ASSY., POWER	1006181	1007640	001	LD, LU, XU
8	56000ZY6033	TRIM-TILT ASSY., POWER	1007641		001	LD, LU, XU, XCD
8	56000ZY6033	TRIM-TILT ASSY., POWER	1000969		001	XCD
9	56100ZY6003	PUMP ASSY.			001	LD, LU, XU, XCD
10	56110ZW1701	ROD COMP., PISTON (B)			002	LD, LU, XU, XCD
11	56113ZW1701	JOINT, DRIVE			001	LD, LU, XU, XCD
12	56115ZW1703	GUIDE COMP., ROD	1000133		002	LD, LU, XU, XCD
12	56115ZW1703	GUIDE COMP., ROD	1000133	1000174	002	LD, LU, XU, XCD
12	56115ZW1703	GUIDE COMP., ROD	1000828	1000968	002	XCD
12	56115ZW1703	GUIDE COMP., ROD	1006181	1007640	002	LD, LU, XU
12	56115ZY9003	GUIDE COMP., ROD	1007641		002	LD, LU, XU
12	56115ZY9003	GUIDE COMP., ROD	1000969		002	XCD
13	56116ZW1701	FILTER B			001	LD, LU, XU, XCD
14	56117ZV5821	RING, BACK UP			001	LD, LU, XU, XCD
16	56120ZW1703	ROD COMP., PISTON	1000133		001	LD, LU, XU, XCD
16	56120ZW1703	ROD COMP., PISTON	1000133	1000190	001	LD, LU, XU, XCD
16	56120ZW1703	ROD COMP., PISTON	1000828	1001015	001	XCD
16	56120ZW1703	ROD COMP., PISTON	1006181	1007793	001	LD, LU, XU
16	56120ZY9003	ROD COMP., PISTON	1007794		001	LD, LU, XU, XCD
16	56120ZY9003	ROD COMP., PISTON	1001016		001	XCD
17	56130ZW1702	PISTON COMP., FREE			001	LD, LU, XU, XCD
18	56170ZY3013	VALVE COMP., MANUAL			001	LD, LU, XU, XCD
19	56180ZW1701	VALVE COMP., RESERVOIR			001	LD, LU, XU, XCD
20	56513ZV5000	BUSH, LOWER CYLINDER			002	LD, LU, XU, XCD
21	56532ZW1000	PIN, UPPER CYLINDER			001	LD, LU, XU, XCD
22	56851ZW1703	TANK, OIL			001	LD, LU, XU, XCD
23	56860ZW1701	CAP COMP., OIL TANK			001	LD, LU, XU, XCD
24	90113ZW1702	BOLT, RECESSED			003	LD, LU, XU, XCD
25	90114ZW1702	BOLT, SOCKET (A)			001	LD, LU, XU, XCD
26	90115ZW1702	BOLT, SOCKET (B)			002	LD, LU, XU, XCD
27	90116ZW1702	BOLT, HEX.			004	LD, LU, XU, XCD
28	90652ZW1702	CIRCLIP, INTERNAL			001	LD, LU, XU, XCD
29	91203ZV5821	OIL SEAL			001	LD, LU, XU, XCD
30	91207ZW1003	O-RING, 2.0X70.5		1000096	001	LD, LU, XU, XCD
30	91207ZW1003	O-RING, 2.0X70.5		1005480	001	LD, LU, XU
30	91207ZW1003	O-RING, 2.0X70.5		1000737	001	XCD
30	91207ZW1013	O-RING, 2.0X70.5	1001295		001	LD, LU, XU, XCD
30	91207ZW1013	O-RING, 2.0X70.5	1005481		001	LD, LU, XU
30	91207ZW1013	O-RING, 2.0X70.5	1000738		001	XCD
31	91302ZV5821	O-RING, 1.8X69.6			001	LD, LU, XU, XCD

32	91316ZV5821	O-RING, 3.5X38.7			002	LD, LU, XU, XCD
33	91352ZW1702	O-RING, 1.8X7.7			006	LD, LU, XU, XCD
34	91353ZW1703	O-RING, 1.9X11			001	LD, LU, XU, XCD
35	91354ZW1701	O-RING, 3.5X35.7			002	LD, LU, XU, XCD
36	91355ZW1701	O-RING, 3.5X41.7			001	LD, LU, XU, XCD
37	91357ZW1701	O-RING SET, 3.5X31.7			002	LD, LU, XU, XCD
38	91358ZW1701	SEAL, WATER			002	LD, LU, XU, XCD
39	91361ZW1701	PACKING			002	LD, LU, XU, XCD
40	91557ZW1701	COLLAR, ORIFICE			001	LD, LU, XU, XCD
41	9454015029	E-RING, 15MM			002	LD, LU, XU, XCD
42	40219ZY3013	WIRE, LEAD (1.5X116MM)	1006181		001	LD, LU, XU
42	40219ZY3013	WIRE, LEAD (1.5X116MM)	1000828		001	XCD
42	40219ZY3013	WIRE, LEAD (1.5X116MM)	1000133		001	LD, LU, XU, XCD
43	90119ZV5000	SCREW, PAN, 6X8	1000828		001	XCD
43	90119ZV5000	SCREW, PAN, 6X8	1000133		001	LD, LU, XU, XCD
43	90119ZV5000	SCREW, PAN, 6X8	1006181		001	LD, LU, XU
44	56115ZW1305	GUIDE COMP., ROD			002	LD, LU, XU, XCD
45	56120ZW1305	ROD COMP., PISTON			001	LD, LU, XU, XCD
46	30280ZY3003	BREAKER ASSY.			001	LD, LU, XU, XCD
47	31106ZY3003	BRUSH ASSY.			001	LD, LU, XU, XCD

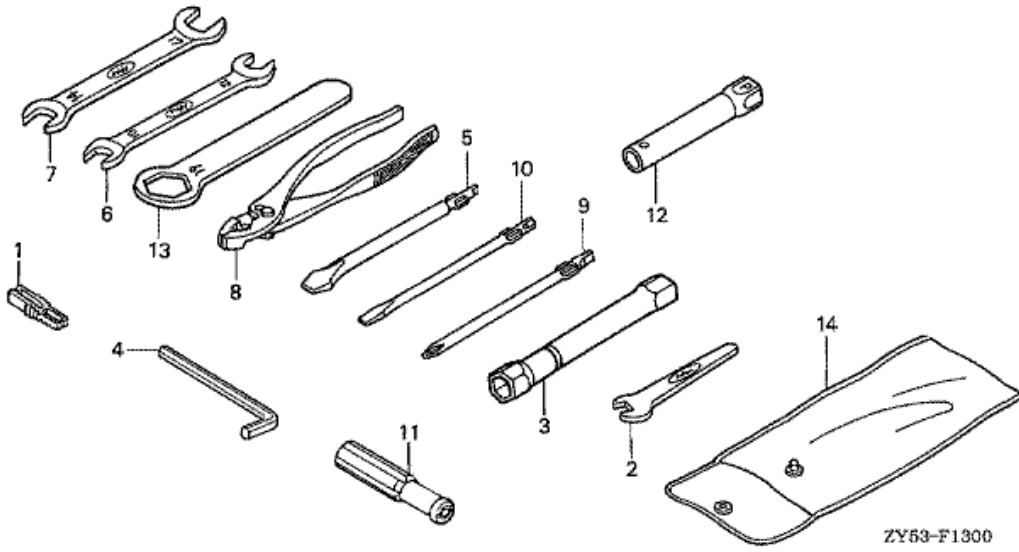
F-12 LABELS



Refnr	Parça Numarası	Açıklama	İlk numara	Son numara	Birim Adedi	Tipler
1	87117ZY6000	LABEL, FUZE			001	LD, LU, XU, XCD
1	87117ZY6000	LABEL, FUZE		1010487	001	LU, XU
1	87117ZY6000	LABEL, FUZE		1010511	001	LD
1	87117ZY6000	LABEL, FUZE		1001414	001	XCD
3	87121ZY6000	MARK, RR. (150)			001	LD, LU, XU, XCD
4	87131ZW1N00	MARK, SIDE			002	LD, LU, XU, XCD
5	87132ZY6000	MARK, SIDE STRIPE			002	LD, LU, XU, XCD
6	87135ZW5000	MARK (E-SPEC)		1000103	001	LD, LU, XU, XCD
6	87135ZW5000	MARK (E-SPEC)		1005630	001	LD, LU, XU
6	87135ZW5000	MARK (E-SPEC)		1000764	001	XCD
8	87301ZY6000	MARK, FR. EMBLEM (150)			001	LD, LU, XU, XCD
9	87516VA9B50	MARK, OPERATOR CAUTION			001	LD, LU, XU, XCD
9	87516VA9B50	MARK, OPERATOR CAUTION		1009927	001	LU, XU
10	87531ZY6620	LABEL, OIL CAUTION (EF)			001	LD, LU, XU, XCD
11	87538ZW1720	LABEL, WARNING OPERATOR (EC)		1000145	001	LD, LU, XU, XCD
11	87538ZW1720	LABEL, WARNING OPERATOR (EC)		1000853	001	XCD
11	87538ZW1720	LABEL, WARNING OPERATOR (EC)		1006382	001	LD, LU, XU
11	87538ZW1721	LABEL, WARNING OPERATOR (EC)	1000854		001	XCD
11	87538ZW1721	LABEL, WARNING OPERATOR (EC)	1006383		001	LD, LU, XU, XCD
11	87538ZW1721	LABEL, WARNING OPERATOR (EC)	1006383	1009927	001	LU, XU
12	87634ZW1N01	MARK, ENVIRONMENT (ULTRA LOW EMISSION) (3-STAR)			001	LD, XCD
13	87801ZY3710	MARK, COUNTER ROTATION			001	XCD
14	87634ZY6U80	MARK, ENVIRONMENT (RCD)			001	LU, XU
17	87538ZY9U80	LABEL, WARNING OPERATOR (EU)	1000284		001	LU, XU
17	87538ZY9U80	LABEL, WARNING OPERATOR (EU)	1009928		001	LU, XU
18	87117ZY6000	LABEL, FUZE	1010512		001	LD
18	87117ZY6000	LABEL, FUZE	1000314		001	LD, XCD

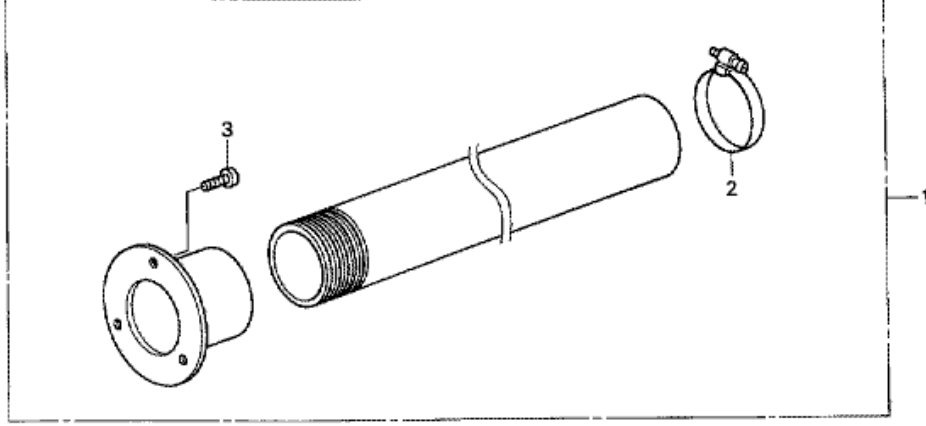
18	87117ZY6000	LABEL, FUSE	1001415		001	XCD
18	87117ZY6U80	LABEL, FUSE (EU)	1010512		001	LD, LU, XU
18	87117ZY6U80	LABEL, FUSE (EU)	1010488		001	LU, XU

F-13 TOOLS



Refnr	Parça Numarası	Açıklama	İlk numara	Son numara	Birim Adedi	Tipler
1	38235S04003	PULLER, MINI FUSE (SUMITOMO)			001	LD, LU, XU, XCD
1	38235S04003	PULLER, MINI FUSE (SUMITOMO)		1010534	001	LD, LU, XU
1	38235S04003	PULLER, MINI FUSE (SUMITOMO)		1001422	001	XCD
2	89203836000	SPANNER, 8MM			001	LD, LU, XU, XCD
3	89216ZY6000	WRENCH, PLUG			001	LD, LU, XU, XCD
4	89221460840	WRENCH, HEX., 6MM			001	LD, LU, XU, XCD
5	89301921010	DRIVER, CHECK BOLT			001	LD, LU, XU, XCD
6	9900110120	SPANNER, 10X12			001	LD, LU, XU, XCD
7	9900114170	SPANNER, 14X17			001	LD, LU, XU, XCD
8	9900213500	PLIERS, 135		1000321	001	LD, LU, XU, XCD
8	9900213500	PLIERS, 135		1010534	001	LD, LU, XU
8	9900213500	PLIERS, 135	1010535		001	LD, LU, XU
8	9900213500	PLIERS, 135			001	LD, LU, XU, XCD
8	9900213500	PLIERS, 135	1001423		001	XCD
8	9900213500	PLIERS, 135		1001422	001	XCD
9	9900310000	DRIVER 1, PLUS SCREW (NO.2)			001	LD, LU, XU, XCD
10	9900330000	DRIVER 3, MINUS SCREW (NO.2)			001	LD, LU, XU, XCD
11	9900350000	GRIP, SCREW DRIVER			001	LD, LU, XU, XCD
12	9900416170	WRENCH, BOX (P16X17)			001	LD, LU, XU, XCD
13	9900619000	WRENCH, EYE, 19MM			001	LD, LU, XU, XCD
14	9900802300	BAG, TOOL, 230MM			001	LD, LU, XU, XCD

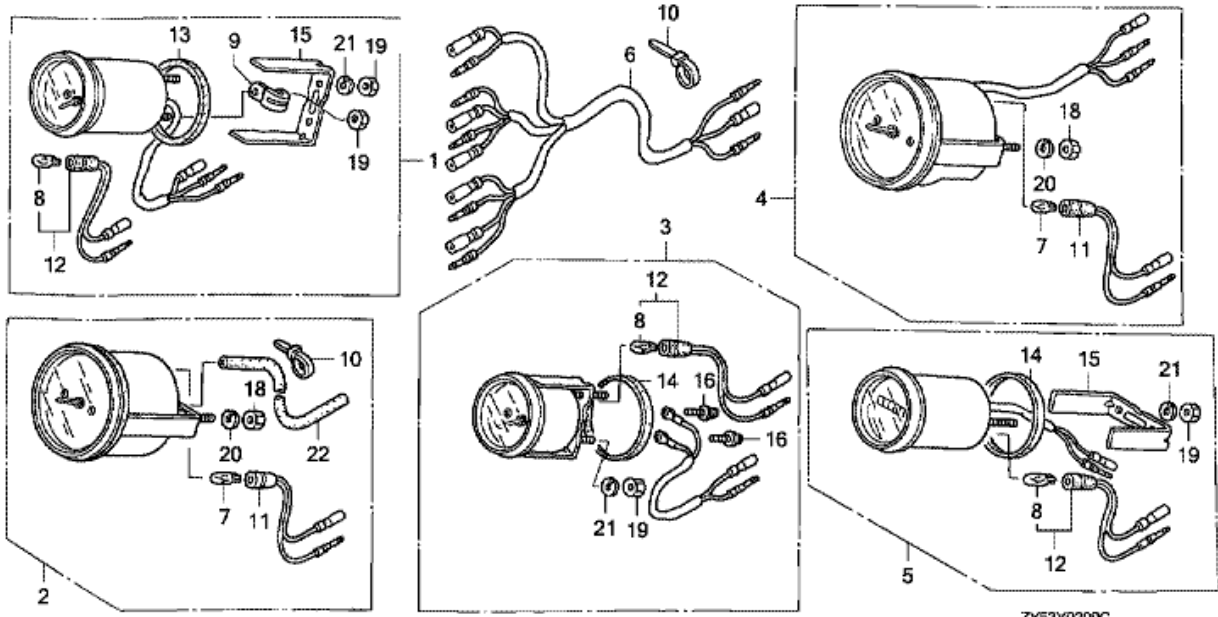
FOP-1 RIGGING HOSE KIT



ZY53-Y0100

Refnr	Parça Numarası	Açıklama	İlk numara	Son numara	Birim Adedi	Tipler
1	06177ZY3U02	HOSE KIT, RIGGING			(1)	LD, LU, XU, XCD
2	17748ZY3U01	CLAMP			(1)	LD, LU, XU, XCD
3	17749ZY3U01	SCREW, TAPPING			(3)	LD, LU, XU, XCD

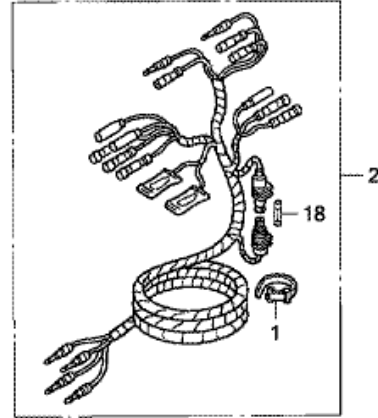
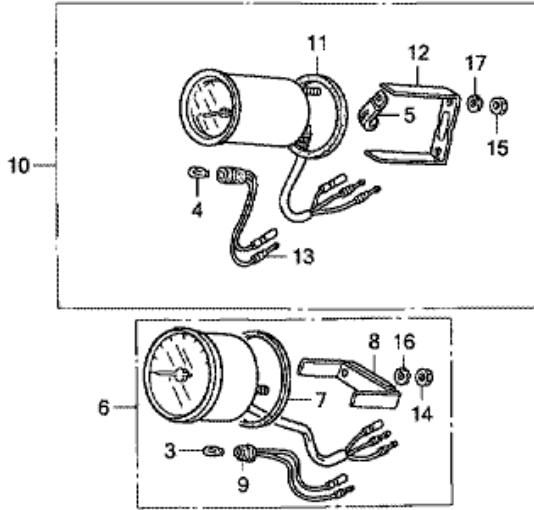
FOP-2 METER (1)



Refnr	Parça Numarası	Açıklama	İlk numara	Son numara	Birim Adedi	Tipler
1	06372ZW5U00	METER KIT, TRIM		1000106	(1)	LD, LU, XU, XCD
1	06372ZW5U00	METER KIT, TRIM		1005972	(1)	LD, LU, XU
1	06372ZW5U00	METER KIT, TRIM		1000805	(1)	XCD
1	06372ZW5U01	METER KIT, TRIM	1005973		(1)	LD, LU, XU, XCD
1	06372ZW5U01	METER KIT, TRIM	1000806		(1)	XCD
1	06372ZW5U10	METER KIT, TRIM (B)		1005972	(1)	LD, LU, XU, XCD
1	06372ZW5U10	METER KIT, TRIM (B)		1000805	(1)	XCD
1	06372ZW5U11	METER KIT, TRIM (B)	1000107		(1)	LD, LU, XU, XCD
1	06372ZW5U11	METER KIT, TRIM (B)	1000806		(1)	XCD
1	06372ZW5U11	METER KIT, TRIM (B)	1005973		(1)	LD, LU, XU
2	06373ZW5U01	SPEEDOMETER KIT			(1)	LD, LU, XU, XCD
2	06373ZW5U11	SPEEDOMETER KIT (B)			(1)	LD, LU, XU, XCD
3	06374ZW5U00	METER KIT, VOLT			(1)	LD, LU, XU, XCD
3	06374ZW5U10	METER KIT, VOLT (B)			(1)	LD, LU, XU, XCD
4	06375ZW5U01	METER KIT, TACHO			(1)	LD, LU, XU, XCD
4	06375ZW5U11	METER KIT, TACHO (B)			(1)	LD, LU, XU, XCD
5	06397ZW5U00	METER KIT, HOUR			(1)	LD, LU, XU, XCD
5	06397ZW5U10	METER KIT, HOUR (B)			(1)	LD, LU, XU, XCD
6	32550ZW5U00	HARNESS ASSY., METER (B)			(1)	LD, LU, XU, XCD
7	34908MB9871	BULB, WEDGE BASE (T10) (12V 1.7W) (STANLEY)			(2)	LD, LU, XU, XCD
8	34908MG9951	BULB, WEDGE BASE (12V 1.7W)			(3)	LD, LU, XU, XCD
9	37215KM1670	CLAMP			(1)	LD, LU, XU, XCD
10	37226MZ5008	BAND, SELF LOCK			(2)	LD, LU, XU, XCD

11	37258ZV5U01	SOCKET COMP.			(2)	LD, LU, XU, XCD
12	37258ZW5U01	SOCKET COMP.			(3)	LD, LU, XU, XCD
13	37263ZV5821	PACKING			(1)	LD, LU, XU, XCD
14	37264ZV5821	PACKING			(2)	LD, LU, XU, XCD
15	37266ZV5821	BRACKET			(2)	LD, LU, XU, XCD
16	37305KE5008	SCREW-WASHER, 3X22			(2)	LD, LU, XU, XCD
18	90309ZV5821	NUT, HEX., 5MM			(4)	LD, LU, XU, XCD
19	90310ZV5821	NUT, HEX., 4MM			(7)	LD, LU, XU, XCD
20	90550ZV5821	WASHER, SPRING, 5MM			(4)	LD, LU, XU, XCD
21	90560ZV5821	WASHER, SPRING, 4MM			(6)	LD, LU, XU, XCD
22	37202ZW5U01	TUBE, SPEED METER (4X7X8000)			(1)	LD, LU, XU, XCD



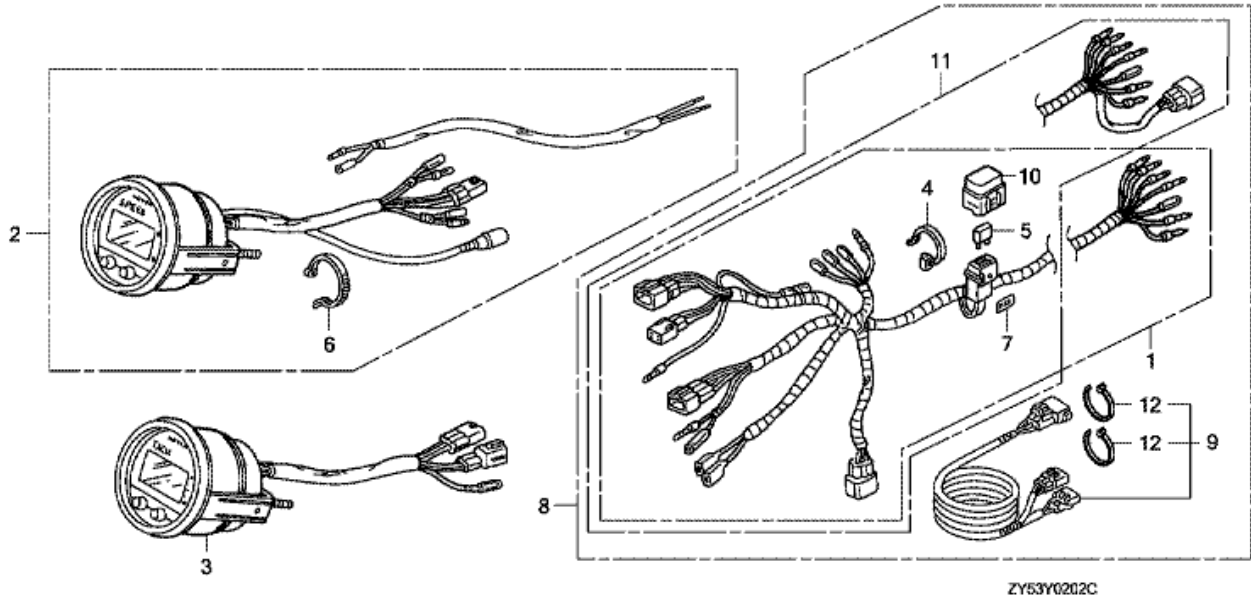


ZY53Y0201A

Refnr	Parça Numarası	Açıklama	İlk numara	Son numara	Birim Adedi	Tipler
1	32161404000	BAND B1, WIRE			(1)	LD, LU, XU, XCD
2	32540ZV5911	HARNESS ASSY., METER (A)			(1)	LD, LU, XU, XCD
3	34908MB9871	BULB, WEDGE BASE (T10) (12V 1.7W) (STANLEY)			(1)	LD, LU, XU, XCD
4	34908MG9951	BULB, WEDGE BASE (12V 1.7W)			(1)	LD, LU, XU, XCD
5	37215KM1670	CLAMP			(1)	LD, LU, XU, XCD
6	37250ZV7913	TACHOMETER ASSY.			(1)	LD, LU, XU, XCD
7	37253ZV5821	PACKING			(1)	LD, LU, XU, XCD
8	37256ZV5821	BRACKET			(1)	LD, LU, XU, XCD
9	37258ZV5821	SOCKET COMP.			(1)	LD, LU, XU, XCD
10	37260ZV5821	METER ASSY., TRIM		1005972	(1)	LD, LU, XU
10	37260ZV5821	METER ASSY., TRIM			(1)	LD, LU, XU, XCD
10	37260ZV5821	METER ASSY., TRIM		1000805	(1)	XCD
10	37260ZV5822	METER ASSY., TRIM	1005973		(1)	LD, LU, XU
10	37260ZV5822	METER ASSY., TRIM	1000806		(1)	XCD
11	37263ZV5821	PACKING			(1)	LD, LU, XU, XCD
12	37266ZV5821	BRACKET			(1)	LD, LU, XU, XCD
13	37268ZV5821	SOCKET COMP.			(1)	LD, LU, XU, XCD
14	90309ZV5821	NUT, HEX., 5MM			(2)	LD, LU, XU, XCD
15	90310ZV5821	NUT, HEX., 4MM			(2)	LD, LU, XU, XCD
16	90550ZV5821	WASHER, SPRING, 5MM			(2)	LD, LU, XU, XCD
17	90560ZV5821	WASHER, SPRING, 4MM			(2)	LD, LU, XU, XCD
18	9820011000	FUSE A (10A)			(1)	LD, LU, XU, XCD



FOP-2-2 METER (3)



Refnr	Parça Numarası	Açıklama	İlk numara	Son numara	Birim Adedi	Tipler
1	32540ZY3801	HARNESS ASSY., METER (A) (DIGITAL)			(1)	LD, LU, XU, XCD
2	06373ZY3810	SPEEDOMETER KIT (DIGITAL) (USE FOR 32540-ZY3-800/801)			(1)	LD, LU, XU, XCD
2	06373ZY3811	SPEEDOMETER KIT (DIGITAL)			(1)	LD, LU, XU, XCD
3	06375ZY3810	METER KIT, TACHO (DIGITAL) (USE FOR 32540-ZY3-800/801)			(1)	LD, LU, XU, XCD
3	06375ZY3812	METER KIT, TACHO (DIGITAL) (USE FOR 32540-ZY3-802)			(1)	LD, LU, XU, XCD
4	90650ZY1003	TIE, CABLE			(1)	LD, LU, XU, XCD
4	90650ZY1003	TIE, CABLE		1010487	(1)	LD, LU, XU
4	90650ZY1003	TIE, CABLE		1001414	(1)	XCD
5	9820030750	FUSE, BLADE (7.5A)		1000313	(2)	LD, LU, XU, XCD
5	9820030750	FUSE, BLADE (7.5A)		1010487	(2)	LD, LU, XU
5	9820030750	FUSE, BLADE (7.5A)			(2)	LD, LU, XU, XCD
5	9820030750	FUSE, BLADE (7.5A)		1001414	(2)	XCD
6	35701MG9950	BAND (BLACK 3.5X140)			(3)	LD, LU, XU, XCD
7	87117ZY3800	MARK, FUSE (7.5A)			(1)	LD, LU, XU, XCD
7	87117ZY3800	MARK, FUSE (7.5A)		1010487	(1)	LD, LU, XU
7	87117ZY3800	MARK, FUSE (7.5A)		1001414	(1)	XCD
8	06326ZY3801	HARNESS KIT, METER (DIGITAL) (INCLUDE 32540-ZY3-801)			(1)	LD, LU, XU, XCD
8	06326ZY3802	HARNESS KIT, METER (DIGITAL) (INCLUDE 32540-ZY3-802)		1000313	(1)	LD, LU, XU, XCD
8	06326ZY3802	HARNESS KIT, METER (DIGITAL) (INCLUDE 32540-ZY3-802)		1010487	(1)	LD, LU, XU
8	06326ZY3802	HARNESS KIT, METER (DIGITAL) (INCLUDE 32540-ZY3-802)			(1)	LD, LU, XU, XCD
8	06326ZY3802	HARNESS KIT, METER (DIGITAL) (INCLUDE 32540-ZY3-802)		1001414	(1)	XCD
9	32185ZY6000	CORD ASSY., INDICATOR (DIGITAL)			(1)	LD, LU, XU, XCD
9	32185ZY6000	CORD ASSY., INDICATOR (DIGITAL)		1010487	(1)	LD, LU, XU

9	32185ZY6000	CORD ASSY., INDICATOR (DIGITAL)		1001414	(1)	XCD
10	38216ZY3801	COVER ASSY., FUSE (7.5A)		1001414	(1)	XCD
10	38216ZY3801	COVER ASSY., FUSE (7.5A)			(1)	LD, LU, XU, XCD
10	38216ZY3801	COVER ASSY., FUSE (7.5A)		1010487	(1)	LD, LU, XU
11	32540ZY3802	HARNESS ASSY., METER (A) (DIGITAL)			(1)	LD, LU, XU, XCD
11	32540ZZ3740	HARNESS ASSY., METER (A) (DIGITAL)		1000313	(1)	LD, LU, XU, XCD
11	32540ZZ3740	HARNESS ASSY., METER (A) (DIGITAL)		1010487	(1)	LD, LU, XU
11	32540ZZ3740	HARNESS ASSY., METER (A) (DIGITAL)		1001414	(1)	XCD
12	32901952770	TIE, CABLE (2.4X92) (NATURAL)			(2)	LD, LU, XU, XCD
12	32901952770	TIE, CABLE (2.4X92) (NATURAL)		1001414	(2)	XCD
12	32901952770	TIE, CABLE (2.4X92) (NATURAL)		1010487	(2)	LD, LU, XU

BF150A4 (ZY6A2 04;13ZY5401,extZY6A2 04;13ZY5401,ZY6A2 09;13ZY5401,extZY6A2 09;13ZY5401,ZY6A2 08;13ZY5401,extZY6A2 08;13ZY5401,ZY6A2 15;13ZY5401,extZY6A2 15;13ZY5401)

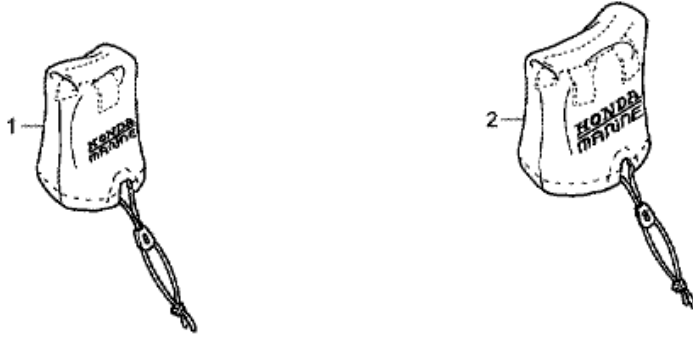
FOP-3 ENGINE COVER



ZY53-Y0300

Refnr	Parça Numarası	Açıklama	İlk numara	Son numara	Birim Adedi	Tipler
1	88163ZY6U00	COVER, ENGINE			(1)	LD, LU, XU, XCD

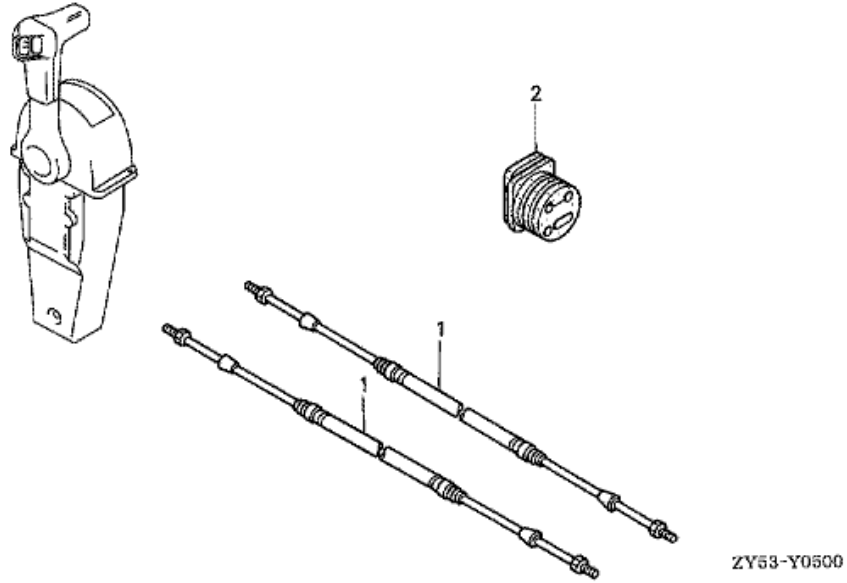
FOP-4 REMOTE CONTROL COVER KIT



ZY53Y0400A

Refnr	Parça Numarası	Açıklama	İlk numara	Son numara	Birim Adedi	Tipler
1	06881ZW5U01	COVER KIT, REMOTE CONTROL BOX (TOP MOUNT SINGLE)			(1)	LD, LU, XU, XCD
2	06881ZW5U11	COVER KIT, REMOTE CONTROL BOX (TOP MOUNT DUAL)			(1)	LD, LU, XU, XCD

FOP-5 CABLE (SINGLE)

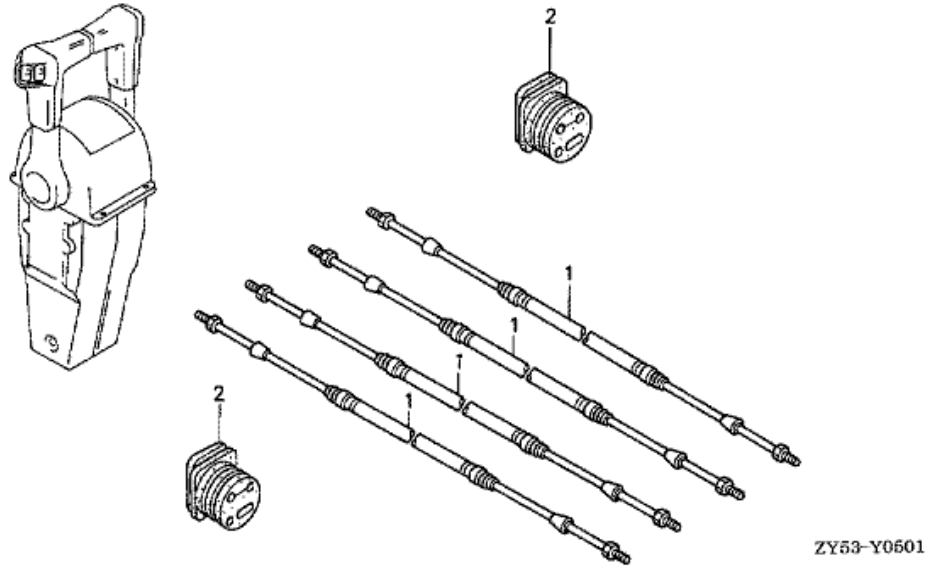


Refnr	Parça Numarası	Açıklama	İlk numara	Son numara	Birim Adedi	Tipler
1	24911ZW7U01	CABLE ASSY., PUSH-PULL (33C-5FT)			(2)	LD, LU, XU, XCD
1	24912ZW7U01	CABLE ASSY., PUSH-PULL (33C-6FT)			(2)	LD, LU, XU, XCD
1	24913ZW7U01	CABLE ASSY., PUSH-PULL (33C-7FT)			(2)	LD, LU, XU, XCD
1	24914ZW7U01	CABLE ASSY., PUSH-PULL (33C-8FT)			(2)	LD, LU, XU, XCD
1	24915ZW7U01	CABLE ASSY., PUSH-PULL (33C-9FT)			(2)	LD, LU, XU, XCD
1	24916ZW7U01	CABLE ASSY., PUSH-PULL (33C-10FT)			(2)	LD, LU, XU, XCD
1	24917ZW7U01	CABLE ASSY., PUSH-PULL (33C-11FT)			(2)	LD, LU, XU, XCD
1	24918ZW7U01	CABLE ASSY., PUSH-PULL (33C-12FT)			(2)	LD, LU, XU, XCD
1	24919ZW7U01	CABLE ASSY., PUSH-PULL (33C-13FT)			(2)	LD, LU, XU, XCD
1	24920ZW7U01	CABLE ASSY., PUSH-PULL (33C-14FT)			(2)	LD, LU, XU, XCD
1	24921ZW7U01	CABLE ASSY., PUSH-PULL (33C-15FT)			(2)	LD, LU, XU, XCD
1	24922ZW7U01	CABLE ASSY., PUSH-PULL (33C-16FT)			(2)	LD, LU, XU, XCD
1	24923ZW7U01	CABLE ASSY., PUSH-PULL (33C-17FT)			(2)	LD, LU, XU, XCD
1	24924ZW7U01	CABLE ASSY., PUSH-PULL (33C-18FT)			(2)	LD, LU, XU, XCD
1	24925ZW7U01	CABLE ASSY., PUSH-PULL (33C-19FT)			(2)	LD, LU, XU, XCD
1	24926ZW7U01	CABLE ASSY., PUSH-PULL (33C-20FT)			(2)	LD, LU, XU, XCD
1	24927ZW7U01	CABLE ASSY., PUSH-PULL (33C-21FT)			(2)	LD, LU, XU, XCD
1	24928ZW7U01	CABLE ASSY., PUSH-PULL (33C-22FT)			(2)	LD, LU, XU, XCD
1	24929ZW7U01	CABLE ASSY., PUSH-PULL (33C-23FT)			(2)	LD, LU, XU, XCD
1	24930ZW7U01	CABLE ASSY., PUSH-PULL (33C-24FT)			(2)	LD, LU, XU, XCD

1	24931ZW7U01	CABLE ASSY., PUSH-PULL (33C-25FT)			(2)	LD, LU, XU, XCD
1	24932ZW7U01	CABLE ASSY., PUSH-PULL (33C-26FT)			(2)	LD, LU, XU, XCD
1	24933ZW7U01	CABLE ASSY., PUSH-PULL (33C-27FT)			(2)	LD, LU, XU, XCD
1	24934ZW7U01	CABLE ASSY., PUSH-PULL (33C-28FT)			(2)	LD, LU, XU, XCD
1	24935ZW7U01	CABLE ASSY., PUSH-PULL (33C-29FT)			(2)	LD, LU, XU, XCD
1	24936ZW7U01	CABLE ASSY., PUSH-PULL (33C-30FT)			(2)	LD, LU, XU, XCD
1	24937ZW7U01	CABLE ASSY., PUSH-PULL (33C-31FT)			(2)	LD, LU, XU, XCD
1	24938ZW7U01	CABLE ASSY., PUSH-PULL (33C-32FT)			(2)	LD, LU, XU, XCD
2	40106ZW7U00	GROMMET, UNDER CASE (B)			(1)	LD, LU, XU, XCD



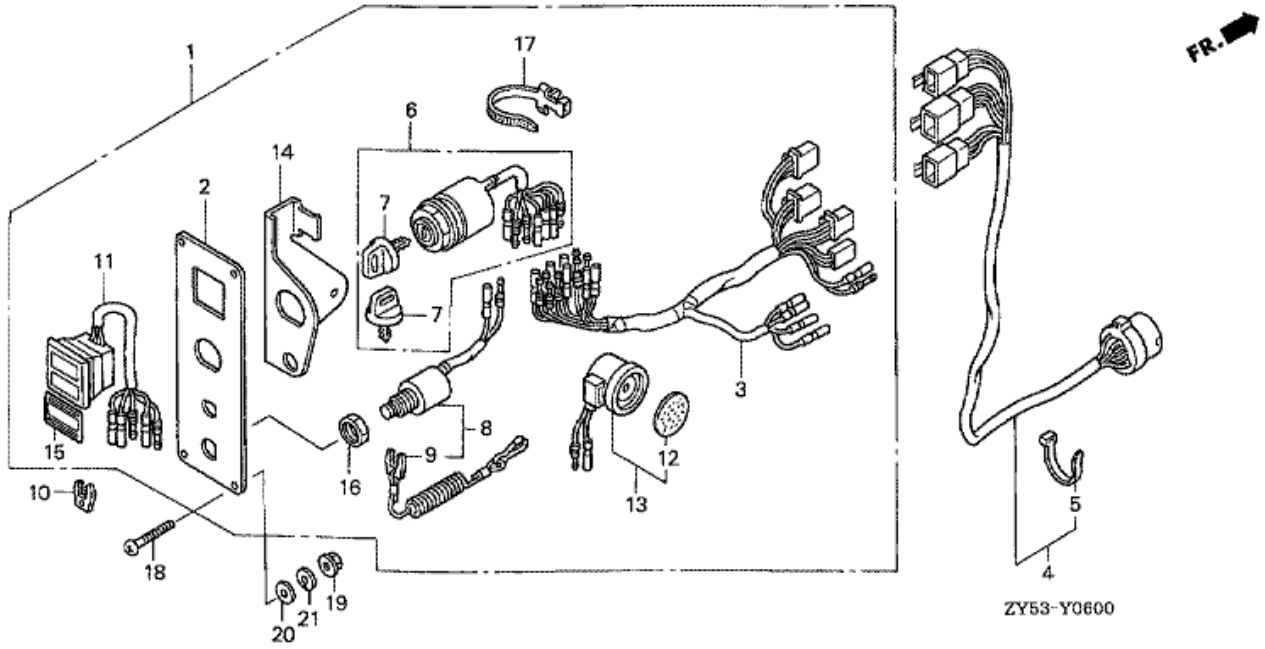
FOP-5-1 CABLE (DUAL)



Refnr	Parça Numarası	Açıklama	İlk numara	Son numara	Birim Adedi	Tipler
1	24911ZW7U01	CABLE ASSY., PUSH-PULL (33C-5FT)			(4)	LD, LU, XU, XCD
1	24912ZW7U01	CABLE ASSY., PUSH-PULL (33C-6FT)			(4)	LD, LU, XU, XCD
1	24913ZW7U01	CABLE ASSY., PUSH-PULL (33C-7FT)			(4)	LD, LU, XU, XCD
1	24914ZW7U01	CABLE ASSY., PUSH-PULL (33C-8FT)			(4)	LD, LU, XU, XCD
1	24915ZW7U01	CABLE ASSY., PUSH-PULL (33C-9FT)			(4)	LD, LU, XU, XCD
1	24916ZW7U01	CABLE ASSY., PUSH-PULL (33C-10FT)			(4)	LD, LU, XU, XCD
1	24917ZW7U01	CABLE ASSY., PUSH-PULL (33C-11FT)			(4)	LD, LU, XU, XCD
1	24918ZW7U01	CABLE ASSY., PUSH-PULL (33C-12FT)			(4)	LD, LU, XU, XCD
1	24919ZW7U01	CABLE ASSY., PUSH-PULL (33C-13FT)			(4)	LD, LU, XU, XCD
1	24920ZW7U01	CABLE ASSY., PUSH-PULL (33C-14FT)			(4)	LD, LU, XU, XCD
1	24921ZW7U01	CABLE ASSY., PUSH-PULL (33C-15FT)			(4)	LD, LU, XU, XCD
1	24922ZW7U01	CABLE ASSY., PUSH-PULL (33C-16FT)			(4)	LD, LU, XU, XCD
1	24923ZW7U01	CABLE ASSY., PUSH-PULL (33C-17FT)			(4)	LD, LU, XU, XCD
1	24924ZW7U01	CABLE ASSY., PUSH-PULL (33C-18FT)			(4)	LD, LU, XU, XCD
1	24925ZW7U01	CABLE ASSY., PUSH-PULL (33C-19FT)			(4)	LD, LU, XU, XCD
1	24926ZW7U01	CABLE ASSY., PUSH-PULL (33C-20FT)			(4)	LD, LU, XU, XCD
1	24927ZW7U01	CABLE ASSY., PUSH-PULL (33C-21FT)			(4)	LD, LU, XU, XCD
1	24928ZW7U01	CABLE ASSY., PUSH-PULL (33C-22FT)			(4)	LD, LU, XU, XCD
1	24929ZW7U01	CABLE ASSY., PUSH-PULL (33C-23FT)			(4)	LD, LU, XU, XCD
1	24930ZW7U01	CABLE ASSY., PUSH-PULL (33C-24FT)			(4)	LD, LU, XU, XCD

1	24931ZW7U01	CABLE ASSY., PUSH-PULL (33C-25FT)			(4)	LD, LU, XU, XCD
1	24932ZW7U01	CABLE ASSY., PUSH-PULL (33C-26FT)			(4)	LD, LU, XU, XCD
1	24933ZW7U01	CABLE ASSY., PUSH-PULL (33C-27FT)			(4)	LD, LU, XU, XCD
1	24934ZW7U01	CABLE ASSY., PUSH-PULL (33C-28FT)			(4)	LD, LU, XU, XCD
1	24935ZW7U01	CABLE ASSY., PUSH-PULL (33C-29FT)			(4)	LD, LU, XU, XCD
1	24936ZW7U01	CABLE ASSY., PUSH-PULL (33C-30FT)			(4)	LD, LU, XU, XCD
1	24937ZW7U01	CABLE ASSY., PUSH-PULL (33C-31FT)			(4)	LD, LU, XU, XCD
1	24938ZW7U01	CABLE ASSY., PUSH-PULL (33C-32FT)			(4)	LD, LU, XU, XCD
2	40106ZW7U00	GROMMET, UNDER CASE (B)			(2)	LD, LU, XU, XCD

FOP-6 CONTROL PANEL (1)

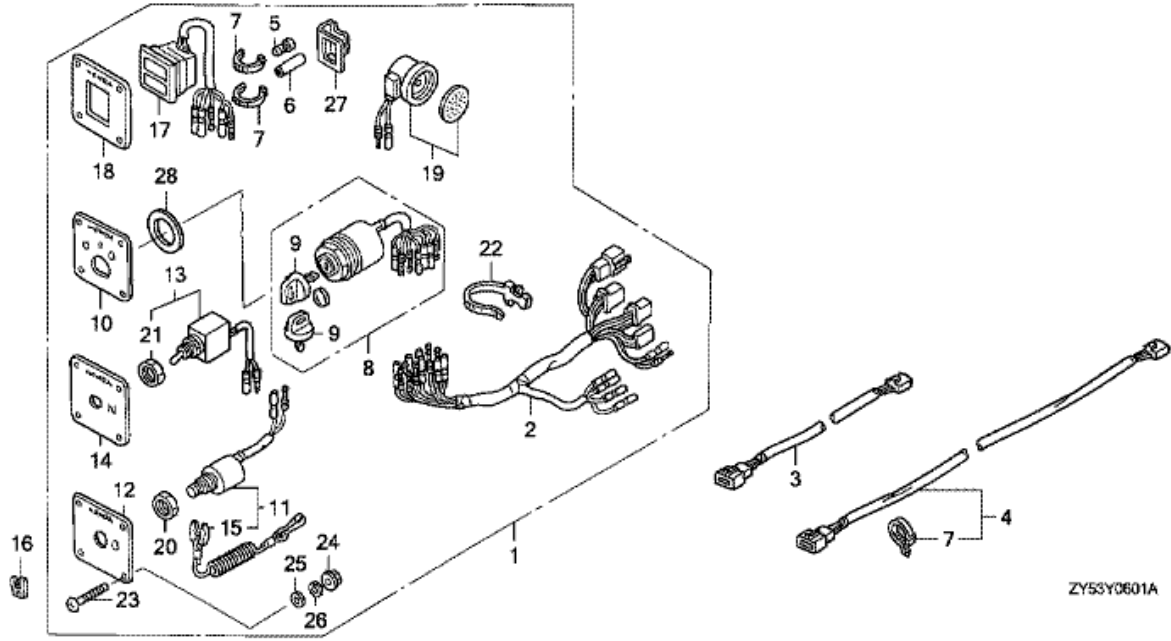


Refnr	Parça Numarası	Açıklama	İlk numara	Son numara	Birim Adedi	Tipler
1	32340ZW5043	PANEL ASSY., CONTROL (2-LED)		1001154	(1)	LD, LU, XU, XCD
1	32340ZW5043	PANEL ASSY., CONTROL (2-LED)		1008815	(1)	LD, LU, XU
1	32340ZW5063	PANEL ASSY., CONTROL (2-LED)	1008816	1010487	(1)	LD, LU, XU, XCD
1	32340ZW5063	PANEL ASSY., CONTROL (2-LED)	1001155		(1)	LD, LU, XU, XCD
1	32340ZW5063	PANEL ASSY., CONTROL (2-LED)	1001155	1001414	(1)	XCD
2	32346ZW1V04	PANEL, CONTROL			(1)	LD, LU, XU, XCD
2	32346ZW1V04	PANEL, CONTROL		1000313	(1)	LD, LU, XU, XCD
2	32346ZW1V04	PANEL, CONTROL		1001414	(1)	XCD
2	32346ZW1V04	PANEL, CONTROL		1010487	(1)	LD, LU, XU
3	32545ZW1V03	HARNESS ASSY., SWITCH PANEL			(1)	LD, LU, XU, XCD
3	32545ZW1V03	HARNESS ASSY., SWITCH PANEL		1000313	(1)	LD, LU, XU, XCD
3	32545ZW1V03	HARNESS ASSY., SWITCH PANEL		1010487	(1)	LD, LU, XU
3	32545ZW1V03	HARNESS ASSY., SWITCH PANEL		1001414	(1)	XCD
4	32580ZY3000	CABLE ASSY., SWITCH PANEL		1010487	(1)	LD, LU, XU
4	32580ZY3000	CABLE ASSY., SWITCH PANEL			(1)	LD, LU, XU, XCD
4	32580ZY3000	CABLE ASSY., SWITCH PANEL		1001414	(1)	XCD
5	32901952770	TIE, CABLE (2.4X92) (NATURAL)		1001414	(3)	XCD
5	32901952770	TIE, CABLE (2.4X92) (NATURAL)			(3)	LD, LU, XU, XCD
5	32901952770	TIE, CABLE (2.4X92) (NATURAL)		1010487	(3)	LD, LU, XU
6	35100ZV5003	SWITCH ASSY., COMBINATION			(1)	LD, LU, XU, XCD
6	35100ZV5003	SWITCH ASSY., COMBINATION		1008815	(1)	LD, LU, XU
6	35100ZV5003	SWITCH ASSY., COMBINATION		1001154	(1)	XCD
6	35100ZV5013	SWITCH ASSY., COMBINATION	1008816	1010487	(1)	LD, LU, XU, XCD
6	35100ZV5013	SWITCH ASSY., COMBINATION	1001155	1001414	(1)	XCD
7	35110ZV5003	KEY ASSY., COMBINATION SWITCH			(2)	LD, LU, XU, XCD
7	35110ZV5003	KEY ASSY., COMBINATION SWITCH		1008815	(2)	LD, LU, XU

7	35110ZV5003	KEY ASSY., COMBINATION SWITCH		1001154	(2)	XCD
8	36180ZV5023	SWITCH ASSY., EMERGENCY STOP			(1)	LD, LU, XU, XCD
8	36180ZV5023	SWITCH ASSY., EMERGENCY STOP		1000313	(1)	LD, LU, XU, XCD
8	36180ZV5023	SWITCH ASSY., EMERGENCY STOP		1001414	(1)	XCD
8	36180ZV5023	SWITCH ASSY., EMERGENCY STOP		1010487	(1)	LD, LU, XU
9	36182ZV4651	CORD COMP., EMERGENCY			(1)	LD, LU, XU, XCD
9	36182ZV4651	CORD COMP., EMERGENCY		1000313	(1)	LD, LU, XU, XCD
9	36182ZV4651	CORD COMP., EMERGENCY		1010487	(1)	LD, LU, XU
9	36182ZV4651	CORD COMP., EMERGENCY		1001414	(1)	XCD
10	36187ZV4652	CLIP, EMERGENCY LOCK			(1)	LD, LU, XU, XCD
10	36187ZV4652	CLIP, EMERGENCY LOCK		1000313	(1)	LD, LU, XU, XCD
10	36187ZV4652	CLIP, EMERGENCY LOCK		1001414	(1)	XCD
10	36187ZV4652	CLIP, EMERGENCY LOCK		1010487	(1)	LD, LU, XU
11	37210ZW1702	LAMP ASSY., INDICATION (2-LED)			(1)	LD, LU, XU, XCD
11	37210ZW1702	LAMP ASSY., INDICATION (2-LED)		1010487	(1)	LD, LU, XU
11	37210ZW1702	LAMP ASSY., INDICATION (2-LED)		1001414	(1)	XCD
12	38403341672	PLATE, WINKER BUZZER			(1)	LD, LU, XU, XCD
12	38403341672	PLATE, WINKER BUZZER		1010487	(1)	LD, LU, XU
12	38403341672	PLATE, WINKER BUZZER		1001414	(1)	XCD
13	38410ZV5003	BUZZER COMP., WARNING		1001414	(1)	XCD
13	38410ZV5003	BUZZER COMP., WARNING			(1)	LD, LU, XU, XCD
13	38410ZV5003	BUZZER COMP., WARNING		1010487	(1)	LD, LU, XU
14	38414ZW1V02	BRACKET, BUZZER			(1)	LD, LU, XU, XCD
14	38414ZW1V02	BRACKET, BUZZER		1010487	(1)	LD, LU, XU
14	38414ZW1V02	BRACKET, BUZZER		1001414	(1)	XCD
15	87120ZW5000	MARK, SWITCH PANEL			(1)	LD, LU, XU, XCD
15	87120ZW5000	MARK, SWITCH PANEL		1001414	(1)	XCD
15	87120ZW5000	MARK, SWITCH PANEL		1010487	(1)	LD, LU, XU
16	90302921000	NUT, HEX., 16MM			(1)	LD, LU, XU, XCD
16	90302921000	NUT, HEX., 16MM		1010487	(1)	LD, LU, XU
16	90302921000	NUT, HEX., 16MM		1001414	(1)	XCD
17	90649SC2003	BAND, WIRE HARNESS (NATURAL) (150MM)		1010487	(1)	LD, LU, XU
17	90649SC2003	BAND, WIRE HARNESS (NATURAL) (150MM)			(1)	LD, LU, XU, XCD
17	90649SC2003	BAND, WIRE HARNESS (NATURAL) (150MM)		1001414	(1)	XCD
18	90109ZW5000	SCREW, PAN, 5X40			(4)	LD, LU, XU, XCD
18	90109ZW5000	SCREW, PAN, 5X40		1001414	(4)	XCD
18	90109ZW5000	SCREW, PAN, 5X40		1000313	(4)	LD, LU, XU, XCD
18	90109ZW5000	SCREW, PAN, 5X40		1010487	(4)	LD, LU, XU
19	18334MT8770	NUT, FLANGE, 5MM			(4)	LD, LU, XU, XCD
19	18334MT8770	NUT, FLANGE, 5MM		1001414	(4)	XCD
19	18334MT8770	NUT, FLANGE, 5MM		1000313	(4)	LD, LU, XU, XCD
19	18334MT8770	NUT, FLANGE, 5MM		1010487	(4)	LD, LU, XU
20	9410305400	WASHER, PLAIN, 5MM			(4)	LD, LU, XU, XCD
20	9410305400	WASHER, PLAIN, 5MM		1000313	(4)	LD, LU, XU, XCD
20	9410305400	WASHER, PLAIN, 5MM		1010487	(4)	LD, LU, XU
20	9410305400	WASHER, PLAIN, 5MM		1001414	(4)	XCD
21	9411105400	WASHER, SPRING, 5MM		1001414	(4)	XCD
21	9411105400	WASHER, SPRING, 5MM			(4)	LD, LU, XU,

						XCD
21	9411105400	WASHER, SPRING, 5MM		1010487	(4)	LD, LU, XU

FOP-6-1 CONTROL PANEL (2)



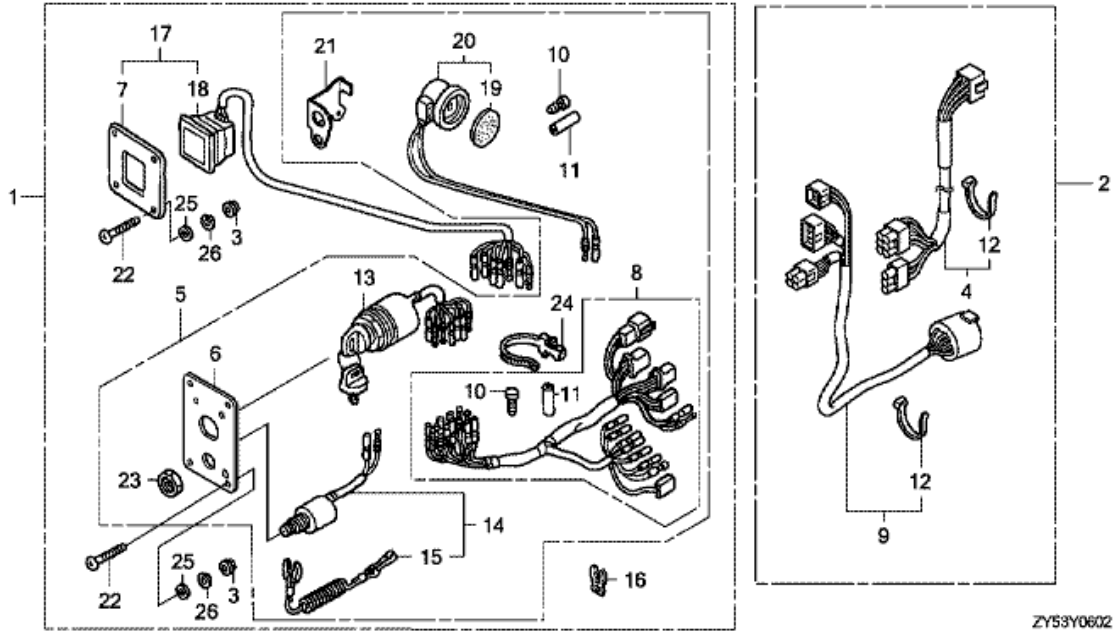
Refnr	Parça Numarası	Açıklama	İlk numara	Son numara	Birim Adedi	Tipler
1	06323ZW5U14	PANEL KIT, CONTROL (A)		1001154	(1)	LD, LU, XU, XCD
1	06323ZW5U14	PANEL KIT, CONTROL (A)		1008815	(1)	LD, LU, XU
1	06323ZW5U16	PANEL KIT, CONTROL (A) (2-LED)	1001155	1001414	(1)	LD, LU, XU, XCD
1	06323ZW5U16	PANEL KIT, CONTROL (A) (2-LED)	1008816	1010487	(1)	LD, LU, XU
1	06323ZW5U16	PANEL KIT, CONTROL (A) (2-LED)	1003140	1003840	(1)	LD, LU, XU, XCD
2	32545ZW1V03	HARNESS ASSY., SWITCH PANEL			(1)	LD, LU, XU, XCD
2	32545ZW1V03	HARNESS ASSY., SWITCH PANEL		1001414	(1)	LD, LU, XU, XCD
2	32545ZW1V03	HARNESS ASSY., SWITCH PANEL		1010487	(1)	LD, LU, XU
3	32570ZW5U00	CABLE ASSY., EXTENSION (3P 7FT)			(1)	LD, LU, XU, XCD
3	32570ZW5U00	CABLE ASSY., EXTENSION (3P 7FT)		1010487	(1)	LD, LU, XU
3	32570ZW5U00	CABLE ASSY., EXTENSION (3P 7FT)		1001414	(1)	XCD
4	32570ZW5U10	CABLE ASSY., EXTENSION (3P 30FT)			(1)	LD, LU, XU, XCD
4	32570ZW5U10	CABLE ASSY., EXTENSION (3P 30FT)		1001414	(1)	XCD
4	32570ZW5U10	CABLE ASSY., EXTENSION (3P 30FT)		1010487	(1)	LD, LU, XU
5	32823ZV5003	PLUG, INNER CONNECTOR		1001414	(1)	XCD
5	32823ZV5003	PLUG, INNER CONNECTOR			(1)	LD, LU, XU, XCD
5	32823ZV5003	PLUG, INNER CONNECTOR		1010487	(1)	LD, LU, XU
6	32824ZV5003	PLUG, OUTER CONNECTOR			(1)	LD, LU, XU, XCD
6	32824ZV5003	PLUG, OUTER CONNECTOR		1010487	(1)	LD, LU, XU
6	32824ZV5003	PLUG, OUTER CONNECTOR		1001414	(1)	XCD
7	32901952770	TIE, CABLE (2.4X92) (NATURAL)			(6)	LD, LU, XU, XCD
7	32901952770	TIE, CABLE (2.4X92) (NATURAL)		1001414	(6)	XCD
7	32901952770	TIE, CABLE (2.4X92) (NATURAL)		1010487	(6)	LD, LU, XU
8	35100ZV5003	SWITCH ASSY., COMBINATION			(1)	LD, LU, XU, XCD
8	35100ZV5003	SWITCH ASSY., COMBINATION		1008815	(1)	LD, LU, XU
8	35100ZV5003	SWITCH ASSY., COMBINATION		1001154	(1)	XCD
8	35100ZV5013	SWITCH ASSY., COMBINATION	1003140	1003840	(1)	LD, LU, XU, XCD

8	35100ZV5013	SWITCH ASSY., COMBINATION	1008816	1010487	(1)	LD, LU, XU
8	35100ZV5013	SWITCH ASSY., COMBINATION	1001155	1001414	(1)	XCD
9	35110ZV5003	KEY ASSY., COMBINATION SWITCH		1001154	(2)	XCD
9	35110ZV5003	KEY ASSY., COMBINATION SWITCH			(2)	LD, LU, XU, XCD
9	35110ZV5003	KEY ASSY., COMBINATION SWITCH		1008815	(2)	LD, LU, XU
10	35118ZW5U02	PANEL, SWITCH			(1)	LD, LU, XU, XCD
10	35118ZW5U02	PANEL, SWITCH		1001414	(1)	LD, LU, XU, XCD
10	35118ZW5U02	PANEL, SWITCH		1010487	(1)	LD, LU, XU
11	35180ZV7023	SWITCH ASSY., EMERGENCY STOP		1000313	(1)	LD, LU, XU, XCD
11	35180ZV7023	SWITCH ASSY., EMERGENCY STOP		1010487	(1)	LD, LU, XU
11	35180ZV7023	SWITCH ASSY., EMERGENCY STOP			(1)	LD, LU, XU, XCD
11	35180ZV7023	SWITCH ASSY., EMERGENCY STOP		1001414	(1)	XCD
12	35184ZW5U02	PANEL, EMERGENCY STOP SWITCH			(1)	LD, LU, XU, XCD
12	35184ZW5U02	PANEL, EMERGENCY STOP SWITCH		1001414	(1)	LD, LU, XU, XCD
12	35184ZW5U02	PANEL, EMERGENCY STOP SWITCH		1010487	(1)	LD, LU, XU
13	35630ZW5U11	SWITCH ASSY., SOLENOID			(1)	LD, LU, XU, XCD
13	35630ZW5U11	SWITCH ASSY., SOLENOID		1010487	(1)	LD, LU, XU
13	35630ZW5U11	SWITCH ASSY., SOLENOID		1001414	(1)	XCD
14	35634ZW5U12	PANEL, SOLENOID			(1)	LD, LU, XU, XCD
14	35634ZW5U12	PANEL, SOLENOID		1010487	(1)	LD, LU, XU
14	35634ZW5U12	PANEL, SOLENOID		1001414	(1)	LD, LU, XU, XCD
15	36182ZV4651	CORD COMP., EMERGENCY			(1)	LD, LU, XU, XCD
15	36182ZV4651	CORD COMP., EMERGENCY		1000313	(1)	LD, LU, XU, XCD
15	36182ZV4651	CORD COMP., EMERGENCY		1001414	(1)	XCD
15	36182ZV4651	CORD COMP., EMERGENCY		1010487	(1)	LD, LU, XU
16	36187ZV4652	CLIP, EMERGENCY LOCK			(1)	LD, LU, XU, XCD
16	36187ZV4652	CLIP, EMERGENCY LOCK		1000313	(1)	LD, LU, XU, XCD
16	36187ZV4652	CLIP, EMERGENCY LOCK		1010487	(1)	LD, LU, XU
16	36187ZV4652	CLIP, EMERGENCY LOCK		1001414	(1)	XCD
17	37210ZW5U01	LAMP ASSY., INDICATOR (2-LED)			(1)	LD, LU, XU, XCD
17	37210ZW5U01	LAMP ASSY., INDICATOR (2-LED)		1010487	(1)	LD, LU, XU
17	37210ZW5U01	LAMP ASSY., INDICATOR (2-LED)		1001414	(1)	XCD
18	37214ZW5U02	PANEL, INDICATOR		1000313	(1)	LD, LU, XU, XCD
18	37214ZW5U02	PANEL, INDICATOR		1010487	(1)	LD, LU, XU
18	37214ZW5U02	PANEL, INDICATOR			(1)	LD, LU, XU, XCD
18	37214ZW5U02	PANEL, INDICATOR		1001414	(1)	XCD
19	38410ZW5U01	BUZZER COMP., WARNING		1001414	(1)	XCD
19	38410ZW5U01	BUZZER COMP., WARNING			(1)	LD, LU, XU, XCD
19	38410ZW5U01	BUZZER COMP., WARNING		1010487	(1)	LD, LU, XU
20	90302921000	NUT, HEX., 16MM			(1)	LD, LU, XU, XCD
20	90302921000	NUT, HEX., 16MM		1010487	(1)	LD, LU, XU
20	90302921000	NUT, HEX., 16MM		1001414	(1)	XCD
21	90305ZW1V01	NUT, HEX., 12MM			(1)	LD, LU, XU, XCD
21	90305ZW1V01	NUT, HEX., 12MM		1001414	(1)	XCD
21	90305ZW1V01	NUT, HEX., 12MM		1010487	(1)	LD, LU, XU
22	90649SC2003	BAND, WIRE HARNESS (NATURAL) (150MM)			(1)	LD, LU, XU, XCD
22	90649SC2003	BAND, WIRE HARNESS (NATURAL) (150MM)		1010487	(1)	LD, LU, XU

22	90649SC2003	BAND, WIRE HARNESS (NATURAL) (150MM)		1001414	(1)	XCD
23	90109ZW5000	SCREW, PAN, 5X40			(16)	LD, LU, XU, XCD
23	90109ZW5000	SCREW, PAN, 5X40		1000313	(16)	LD, LU, XU, XCD
23	90109ZW5000	SCREW, PAN, 5X40		1001414	(16)	XCD
23	90109ZW5000	SCREW, PAN, 5X40		1010487	(16)	LD, LU, XU
24	18334MT8770	NUT, FLANGE, 5MM		1010487	(16)	LD, LU, XU
24	18334MT8770	NUT, FLANGE, 5MM			(16)	LD, LU, XU, XCD
24	18334MT8770	NUT, FLANGE, 5MM		1000313	(16)	LD, LU, XU, XCD
24	18334MT8770	NUT, FLANGE, 5MM		1001414	(16)	XCD
25	9410305400	WASHER, PLAIN, 5MM			(16)	LD, LU, XU, XCD
25	9410305400	WASHER, PLAIN, 5MM		1000313	(16)	LD, LU, XU, XCD
25	9410305400	WASHER, PLAIN, 5MM		1001414	(16)	XCD
25	9410305400	WASHER, PLAIN, 5MM		1010487	(16)	LD, LU, XU
26	9411105400	WASHER, SPRING, 5MM			(16)	LD, LU, XU, XCD
26	9411105400	WASHER, SPRING, 5MM		1010487	(16)	LD, LU, XU
26	9411105400	WASHER, SPRING, 5MM		1001414	(16)	XCD
27	38414ZW5U00	BRACKET, BUZZER			(1)	LD, LU, XU, XCD
27	38414ZW5U00	BRACKET, BUZZER		1010487	(1)	LD, LU, XU
27	38414ZW5U00	BRACKET, BUZZER		1001414	(1)	XCD
28	90513ZW5U00	WASHER, PLAIN		1001414	(1)	XCD
28	90513ZW5U00	WASHER, PLAIN			(1)	LD, LU, XU, XCD
28	90513ZW5U00	WASHER, PLAIN		1010487	(1)	LD, LU, XU



FOP-6-2 CONTROL PANEL (3)



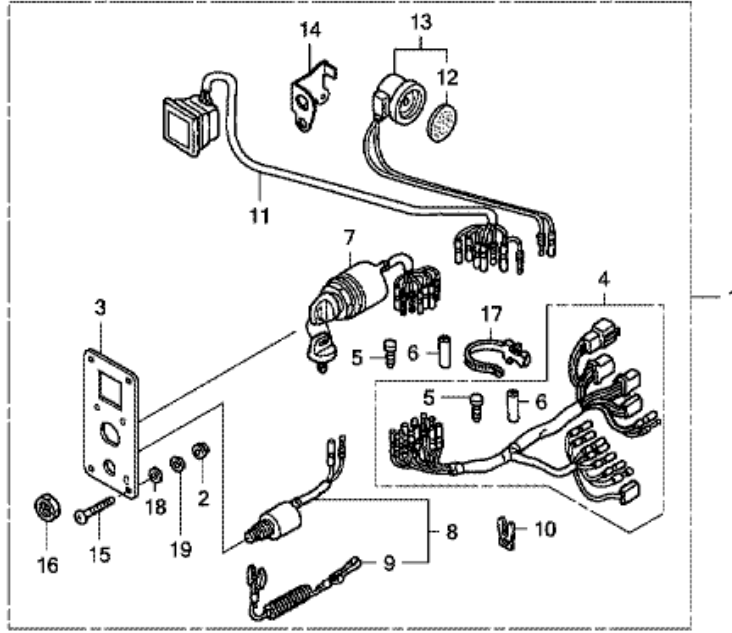
ZY53Y0602

Refnr	Parça Numarası	Açıklama	İlk numara	Son numara	Birim Adedi	Tipler
1	06323ZZ5662	PANEL KIT, SWITCH (B) (4-LED)	1000314		(1)	LD, XCD
1	06323ZZ5662	PANEL KIT, SWITCH (B) (4-LED)	1010488		(1)	LD
1	06323ZZ5662	PANEL KIT, SWITCH (B) (4-LED)	1001415		(1)	XCD
1	06323ZZ5791	PANEL KIT, SWITCH (B) (4-LED)	1010488		(1)	LU, XU
2	06325ZZ5600	CABLE SET, PANEL INDICATOR (20FT)	1000314		(1)	LD, LU, XU, XCD
2	06325ZZ5600	CABLE SET, PANEL INDICATOR (20FT)	1010488		(1)	LD, LU, XU
2	06325ZZ5600	CABLE SET, PANEL INDICATOR (20FT)	1001415		(1)	XCD
2	06325ZZ5700	CABLE SET, PANEL INDICATOR (25FT)	1010488		(1)	LD, LU, XU, XCD
2	06325ZZ5700	CABLE SET, PANEL INDICATOR (25FT)	1001415		(1)	XCD
2	06325ZZ5800	CABLE SET, PANEL INDICATOR (30FT)	1003841		(1)	LD, LU, XU, XCD
2	06325ZZ5800	CABLE SET, PANEL INDICATOR (30FT)	1010488		(1)	LD, LU, XU
2	06325ZZ5800	CABLE SET, PANEL INDICATOR (30FT)	1001415		(1)	XCD
3	18334MT8770	NUT, FLANGE, 5MM	1000314		(8)	LD, LU, XU, XCD
3	18334MT8770	NUT, FLANGE, 5MM	1001415		(8)	XCD
3	18334MT8770	NUT, FLANGE, 5MM	1010488		(8)	LD, LU, XU
4	32185ZZ5600	CORD ASSY., INDICATOR (20FT)	1000314		(1)	LD, LU, XU, XCD
4	32185ZZ5600	CORD ASSY., INDICATOR (20FT)	1010488		(1)	LD, LU, XU
4	32185ZZ5600	CORD ASSY., INDICATOR (20FT)	1001415		(1)	XCD
4	32185ZZ5700	CORD ASSY., INDICATOR (25FT)	1000314		(1)	LD, LU, XU, XCD
4	32185ZZ5700	CORD ASSY., INDICATOR (25FT)	1001415		(1)	XCD
4	32185ZZ5700	CORD ASSY., INDICATOR (25FT)	1010488		(1)	LD, LU, XU
4	32185ZZ5800	CORD ASSY., INDICATOR (30FT)	1010488		(1)	LD, LU, XU, XCD
4	32185ZZ5800	CORD ASSY., INDICATOR (30FT)	1001415		(1)	XCD
5	32341ZZ5762	PANEL ASSY., SWITCH	1010488		(1)	LD
5	32341ZZ5762	PANEL ASSY., SWITCH	1001415		(1)	XCD
5	32341ZZ5762	PANEL ASSY., SWITCH	1000314		(1)	LD, XCD
5	32341ZZ5791	PANEL ASSY., SWITCH	1010488		(1)	LU, XU
6	32346ZZ5761	PANEL, CONTROL	1010488		(1)	LD
6	32346ZZ5761	PANEL, CONTROL	1001415		(1)	XCD
6	32346ZZ5761	PANEL, CONTROL	1000314		(1)	LD, XCD

6	32346ZZ5791	PANEL, CONTROL	1000314	(1)	LU, XU
6	32346ZZ5791	PANEL, CONTROL	1010488	(1)	LU, XU
7	32347ZZ5761	PANEL, CONTROL	1000314	(1)	LD, LU, XU, XCD
7	32347ZZ5761	PANEL, CONTROL	1010488	(1)	LD, LU, XU
7	32347ZZ5761	PANEL, CONTROL	1001415	(1)	XCD
8	32545ZZ5000	HARNESS ASSY., SWITCH PANEL	1000314	(1)	LD, LU, XU, XCD
8	32545ZZ5000	HARNESS ASSY., SWITCH PANEL	1001415	(1)	XCD
8	32545ZZ5000	HARNESS ASSY., SWITCH PANEL	1010488	(1)	LD, LU, XU
9	32580ZZ5600	CABLE ASSY., SWITCH PANEL (20FT)	1000314	(1)	LD, LU, XU, XCD
9	32580ZZ5600	CABLE ASSY., SWITCH PANEL (20FT)	1010488	(1)	LD, LU, XU
9	32580ZZ5600	CABLE ASSY., SWITCH PANEL (20FT)	1001415	(1)	XCD
9	32580ZZ5700	CABLE ASSY., SWITCH PANEL (25FT)	1010488	(1)	LD, LU, XU, XCD
9	32580ZZ5700	CABLE ASSY., SWITCH PANEL (25FT)	1001415	(1)	XCD
9	32580ZZ5800	CABLE ASSY., SWITCH PANEL (30FT)	1000314	(1)	LD, LU, XU, XCD
9	32580ZZ5800	CABLE ASSY., SWITCH PANEL (30FT)	1010488	(1)	LD, LU, XU
9	32580ZZ5800	CABLE ASSY., SWITCH PANEL (30FT)	1001415	(1)	XCD
10	32823ZV5003	PLUG, INNER CONNECTOR	1000314	(8)	LD, LU, XU, XCD
10	32823ZV5003	PLUG, INNER CONNECTOR	1001415	(8)	XCD
10	32823ZV5003	PLUG, INNER CONNECTOR	1010488	(8)	LD, LU, XU
11	32824ZV5003	PLUG, OUTER CONNECTOR	1000314	(3)	LD, LU, XU, XCD
11	32824ZV5003	PLUG, OUTER CONNECTOR	1010488	(3)	LD, LU, XU
11	32824ZV5003	PLUG, OUTER CONNECTOR	1001415	(3)	XCD
12	32901952770	TIE, CABLE (2.4X92) (NATURAL)	1000314	(5)	LD, LU, XU, XCD
12	32901952770	TIE, CABLE (2.4X92) (NATURAL)	1010488	(5)	LD, LU, XU
12	32901952770	TIE, CABLE (2.4X92) (NATURAL)	1001415	(5)	XCD
13	35100ZV5013	SWITCH ASSY., COMBINATION	1000314	(1)	LD, LU, XU, XCD
13	35100ZV5013	SWITCH ASSY., COMBINATION	1001415	(1)	XCD
13	35100ZV5013	SWITCH ASSY., COMBINATION	1010488	(1)	LD, LU, XU
14	36180ZV5023	SWITCH ASSY., EMERGENCY STOP	1000314	(1)	LD, LU, XU, XCD
14	36180ZV5023	SWITCH ASSY., EMERGENCY STOP	1010488	(1)	LD, LU, XU
14	36180ZV5023	SWITCH ASSY., EMERGENCY STOP	1001415	(1)	XCD
15	36182ZV4651	CORD COMP., EMERGENCY	1001415	(1)	XCD
15	36182ZV4651	CORD COMP., EMERGENCY	1000314	(1)	LD, LU, XU, XCD
15	36182ZV4651	CORD COMP., EMERGENCY	1010488	(1)	LD, LU, XU
16	36187ZV4652	CLIP, EMERGENCY LOCK	1000314	(1)	LD, LU, XU, XCD
16	36187ZV4652	CLIP, EMERGENCY LOCK	1010488	(1)	LD, LU, XU
16	36187ZV4652	CLIP, EMERGENCY LOCK	1001415	(1)	XCD
17	37205ZZ5762	PANEL ASSY., INDICATOR	1000314	(1)	LD, LU, XU, XCD
17	37205ZZ5762	PANEL ASSY., INDICATOR	1001415	(1)	XCD
17	37205ZZ5762	PANEL ASSY., INDICATOR	1010488	(1)	LD, LU, XU
18	37210ZZ5762	LAMP ASSY., INDICATION	1000314	(1)	LD, LU, XU, XCD
18	37210ZZ5762	LAMP ASSY., INDICATION	1010488	(1)	LD, LU, XU
18	37210ZZ5762	LAMP ASSY., INDICATION	1001415	(1)	XCD
19	38403341672	PLATE, WINKER BUZZER	1000314	(1)	LD, LU, XU, XCD
19	38403341672	PLATE, WINKER BUZZER	1010488	(1)	LD, LU, XU
19	38403341672	PLATE, WINKER BUZZER	1001415	(1)	XCD
20	38410ZV5003	BUZZER COMP., WARNING	1001415	(1)	XCD
20	38410ZV5003	BUZZER COMP., WARNING	1000314	(1)	LD, LU, XU, XCD
20	38410ZV5003	BUZZER COMP., WARNING	1010488	(1)	LD, LU, XU
21	38414ZZ5003	BRACKET, BUZZER	1000314	(1)	LD, LU, XU, XCD

21	38414ZZ5003	BRACKET, BUZZER	1010488		(1)	LD, LU, XU
21	38414ZZ5003	BRACKET, BUZZER	1001415		(1)	XCD
22	90109ZW5000	SCREW, PAN, 5X40	1000314		(8)	LD, LU, XU, XCD
22	90109ZW5000	SCREW, PAN, 5X40	1010488		(8)	LD, LU, XU
22	90109ZW5000	SCREW, PAN, 5X40	1001415		(8)	XCD
23	90302921000	NUT, HEX., 16MM	1001415		(1)	XCD
23	90302921000	NUT, HEX., 16MM	1000314		(1)	LD, LU, XU, XCD
23	90302921000	NUT, HEX., 16MM	1010488		(1)	LD, LU, XU
24	90649SC2003	BAND, WIRE HARNESS (NATURAL) (150MM)	1000314		(1)	LD, LU, XU, XCD
24	90649SC2003	BAND, WIRE HARNESS (NATURAL) (150MM)	1010488		(1)	LD, LU, XU
24	90649SC2003	BAND, WIRE HARNESS (NATURAL) (150MM)	1001415		(1)	XCD
25	9410305400	WASHER, PLAIN, 5MM	1000314		(8)	LD, LU, XU, XCD
25	9410305400	WASHER, PLAIN, 5MM	1001415		(8)	XCD
25	9410305400	WASHER, PLAIN, 5MM	1010488		(8)	LD, LU, XU
26	9411105400	WASHER, SPRING, 5MM	1000314		(8)	LD, LU, XU, XCD
26	9411105400	WASHER, SPRING, 5MM	1010488		(8)	LD, LU, XU
26	9411105400	WASHER, SPRING, 5MM	1001415		(8)	XCD

FOP-6-3 CONTROL PANEL (4)

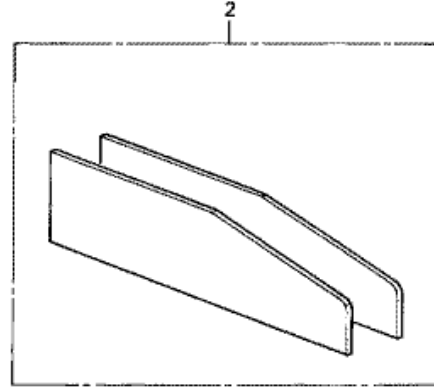
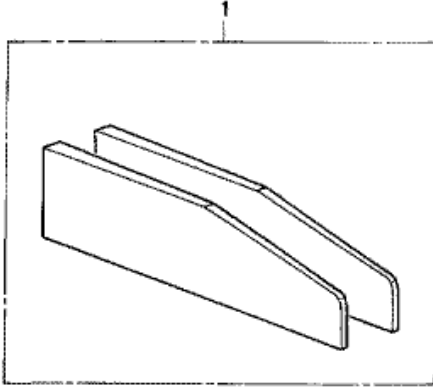


ZY53Y0603

Refnr	Parça Numarası	Açıklama	İlk numara	Son numara	Birim Adedi	Tipler
1	06323ZZ5762	PANEL KIT, SWITCH (4-LED)	1000314		(1)	LD, XCD
1	06323ZZ5762	PANEL KIT, SWITCH (4-LED)	1010488		(1)	LD
1	06323ZZ5762	PANEL KIT, SWITCH (4-LED)	1001415		(1)	XCD
1	06323ZZ5781	PANEL KIT, SWITCH (4-LED)	1010488		(1)	LU, XU
2	18334MT8770	NUT, FLANGE, 5MM	1000314		(4)	LD, LU, XU, XCD
2	18334MT8770	NUT, FLANGE, 5MM	1010488		(4)	LD, LU, XU
2	18334MT8770	NUT, FLANGE, 5MM	1001415		(4)	XCD
3	32346ZZ5003	PANEL, CONTROL	1010488		(1)	LD
3	32346ZZ5003	PANEL, CONTROL	1001415		(1)	XCD
3	32346ZZ5003	PANEL, CONTROL	1000314		(1)	LD, XCD
3	32346ZZ5781	PANEL, CONTROL	1003841		(1)	LU, XU
3	32346ZZ5781	PANEL, CONTROL	1010488		(1)	LU, XU
4	32545ZZ5000	HARNESS ASSY., SWITCH PANEL	1000314		(1)	LD, LU, XU, XCD
4	32545ZZ5000	HARNESS ASSY., SWITCH PANEL	1010488		(1)	LD, LU, XU
4	32545ZZ5000	HARNESS ASSY., SWITCH PANEL	1001415		(1)	XCD
5	32823ZV5003	PLUG, INNER CONNECTOR	1001415		(8)	XCD
5	32823ZV5003	PLUG, INNER CONNECTOR	1000314		(8)	LD, LU, XU, XCD
5	32823ZV5003	PLUG, INNER CONNECTOR	1010488		(8)	LD, LU, XU
6	32824ZV5003	PLUG, OUTER CONNECTOR	1000314		(3)	LD, LU, XU, XCD
6	32824ZV5003	PLUG, OUTER CONNECTOR	1010488		(3)	LD, LU, XU
6	32824ZV5003	PLUG, OUTER CONNECTOR	1001415		(3)	XCD
7	35100ZV5013	SWITCH ASSY., COMBINATION	1000314		(1)	LD, LU, XU, XCD
7	35100ZV5013	SWITCH ASSY., COMBINATION	1010488		(1)	LD, LU, XU
7	35100ZV5013	SWITCH ASSY., COMBINATION	1001415		(1)	XCD
8	36180ZV5023	SWITCH ASSY., EMERGENCY STOP	1001415		(1)	XCD
8	36180ZV5023	SWITCH ASSY., EMERGENCY STOP	1000314		(1)	LD, LU, XU, XCD
8	36180ZV5023	SWITCH ASSY., EMERGENCY STOP	1010488		(1)	LD, LU, XU
9	36182ZV4651	CORD COMP., EMERGENCY	1000314		(1)	LD, LU, XU, XCD
9	36182ZV4651	CORD COMP., EMERGENCY	1010488		(1)	LD, LU, XU
9	36182ZV4651	CORD COMP., EMERGENCY	1001415		(1)	XCD

10	36187ZV4652	CLIP, EMERGENCY LOCK	1000314		(1)	LD, LU, XU, XCD
10	36187ZV4652	CLIP, EMERGENCY LOCK	1001415		(1)	XCD
10	36187ZV4652	CLIP, EMERGENCY LOCK	1010488		(1)	LD, LU, XU
11	37210ZZ5712	LAMP ASSY., INDICATION	1000314		(1)	LD, LU, XU, XCD
11	37210ZZ5712	LAMP ASSY., INDICATION	1010488		(1)	LD, LU, XU
11	37210ZZ5712	LAMP ASSY., INDICATION	1001415		(1)	XCD
12	38403341672	PLATE, WINKER BUZZER	1000314		(1)	LD, LU, XU, XCD
12	38403341672	PLATE, WINKER BUZZER	1010488		(1)	LD, LU, XU
12	38403341672	PLATE, WINKER BUZZER	1001415		(1)	XCD
13	38410ZV5003	BUZZER COMP., WARNING	1001415		(1)	XCD
13	38410ZV5003	BUZZER COMP., WARNING	1000314		(1)	LD, LU, XU, XCD
13	38410ZV5003	BUZZER COMP., WARNING	1010488		(1)	LD, LU, XU
14	38414ZZ5003	BRACKET, BUZZER	1010488		(1)	LD, LU, XU
14	38414ZZ5003	BRACKET, BUZZER	1000314		(1)	LD, LU, XU, XCD
14	38414ZZ5003	BRACKET, BUZZER	1001415		(1)	XCD
15	90109ZW5000	SCREW, PAN, 5X40	1000314		(4)	LD, LU, XU, XCD
15	90109ZW5000	SCREW, PAN, 5X40	1010488		(4)	LD, LU, XU
15	90109ZW5000	SCREW, PAN, 5X40	1001415		(4)	XCD
16	90302921000	NUT, HEX., 16MM	1001415		(1)	XCD
16	90302921000	NUT, HEX., 16MM	1000314		(1)	LD, LU, XU, XCD
16	90302921000	NUT, HEX., 16MM	1010488		(1)	LD, LU, XU
17	90649SC2003	BAND, WIRE HARNESS (NATURAL) (150MM)	1000314		(1)	LD, LU, XU, XCD
17	90649SC2003	BAND, WIRE HARNESS (NATURAL) (150MM)	1010488		(1)	LD, LU, XU
17	90649SC2003	BAND, WIRE HARNESS (NATURAL) (150MM)	1001415		(1)	XCD
18	9410305400	WASHER, PLAIN, 5MM	1000314		(4)	LD, LU, XU, XCD
18	9410305400	WASHER, PLAIN, 5MM	1001415		(4)	XCD
18	9410305400	WASHER, PLAIN, 5MM	1010488		(4)	LD, LU, XU
19	9411105400	WASHER, SPRING, 5MM	1000314		(4)	LD, LU, XU, XCD
19	9411105400	WASHER, SPRING, 5MM	1010488		(4)	LD, LU, XU
19	9411105400	WASHER, SPRING, 5MM	1001415		(4)	XCD

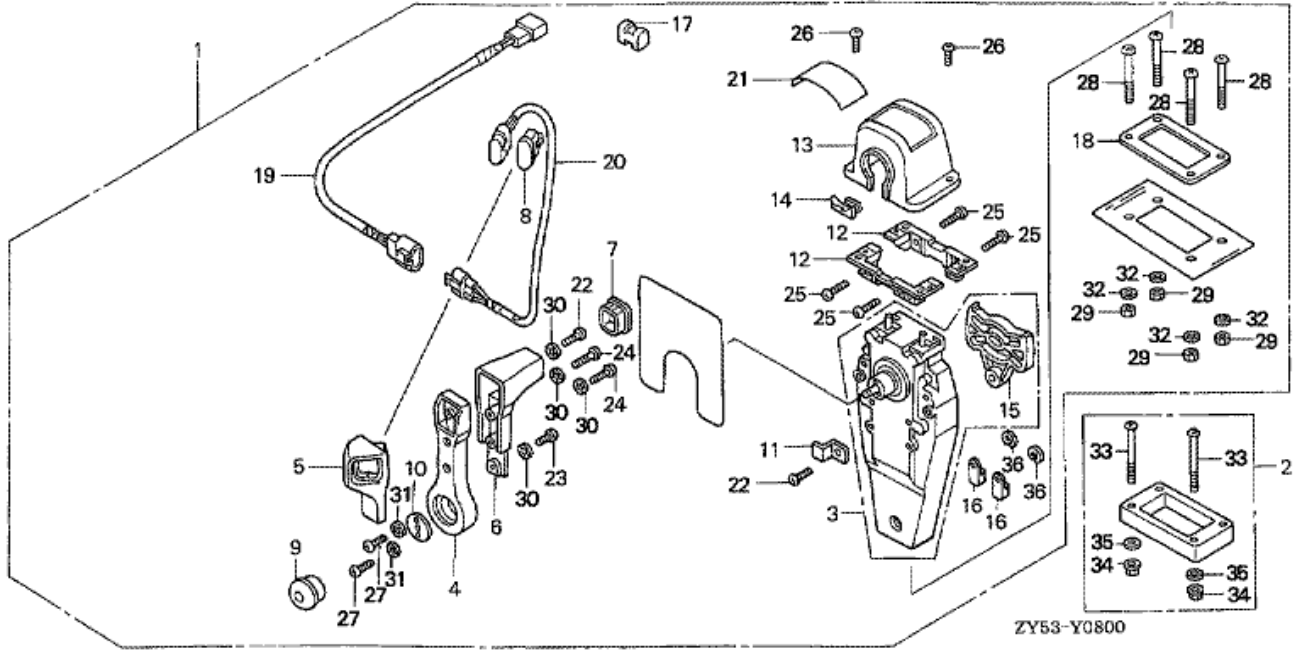
FOP-7 TRIM ADJUST PLATE SET



ZY53-Y0700

Refnr	Parça Numarası	Açıklama	İlk numara	Son numara	Birim Adedi	Tipler
1	50388ZY3U00	PLATE SET, TRIM ADJUST (15MM TAPER)			(1)	LD, LU, XU, XCD
2	50388ZY3U10	PLATE SET, TRANSOM (5.5MM FLAT)			(1)	LD, LU, XU, XCD

FOP-8 REMOTE CONTROL (TOP MOUNT SINGLE TYPE) (RIGHT)

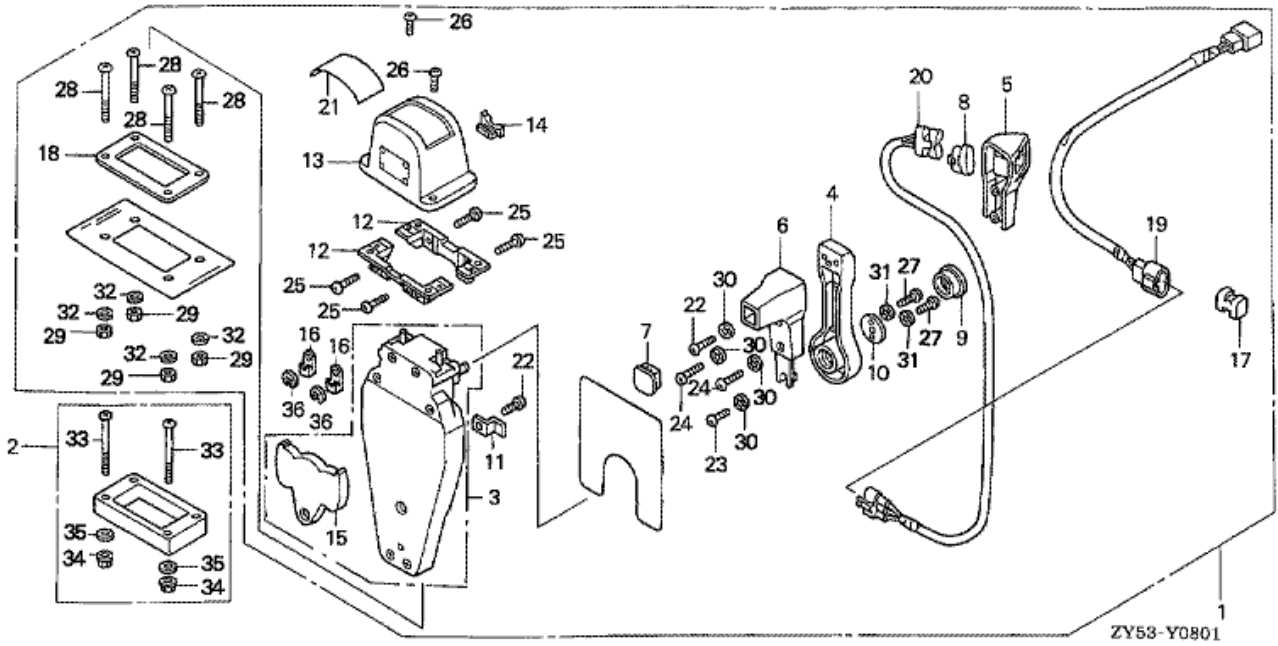


Refnr	Parça Numarası	Açıklama	İlk numara	Son numara	Birim Adedi	Tipler
1	06240ZW5U00	BOX KIT, REMOTE CONTROL (TOP MOUNT SINGLE) (R.)			(1)	LD, LU, XU, XCD
2	06241ZW5U00	SPACER KIT, REMOTE CONTROL BOX (TOP MOUNT SINGLE)			(1)	LD, LU, XU, XCD
3	24810ZW5U01	HOUSING ASSY., L. INNER (TOP MOUNT)			(1)	LD, LU, XU, XCD
4	24811ZW5U01	HANDLE, REMOTE CONTROL			(1)	LD, LU, XU, XCD
5	24812ZW5U01	COVER, L. GRIP			(1)	LD, LU, XU, XCD
6	24813ZW5U01	GRIP, REMOTE CONTROL HANDLE			(1)	LD, LU, XU, XCD
7	24814ZW5U01	CAP, GRIP			(1)	LD, LU, XU, XCD
8	24815ZW5U01	CAP, SWITCH			(1)	LD, LU, XU, XCD
9	24816ZW5U01	BUTTON, THROTTLE			(1)	LD, LU, XU, XCD
10	24817ZW5U01	PLATE, HANDLE			(1)	LD, LU, XU, XCD
11	24818ZW5U01	PLATE, CABLE CLAMP			(1)	LD, LU, XU, XCD
12	24819ZW5U01	BRACKET, REMOTE CONTROL HOUSING			(2)	LD, LU, XU, XCD
13	24820ZW5U01	HOUSING COMP., REMOTE CONTROL BOX			(1)	LD, LU, XU, XCD
14	24825ZW5U01	HOUSING, LEAD			(1)	LD, LU, XU, XCD
15	24826ZW5U01	PLATE, DWELL			(1)	LD, LU, XU, XCD
16	24831ZW5U01	TERMINAL, CABLE			(2)	LD, LU, XU, XCD
17	24832ZW5U01	SPACER, CABLE CLAMP			(1)	LD, LU, XU, XCD
18	24834ZW5U01	PACKING, SINGLE			(1)	LD, LU, XU, XCD
19	32530ZW7U00	SUB HARNESS ASSY., POWER TRIM-TILT (A)			(1)	LD, LU, XU, XCD
20	35370ZW5U02	SWITCH ASSY., POWER TRIM-TILT (A)			(1)	LD, LU, XU, XCD

21	87703ZW5U01	MARK, REMOTE CONTROL (SINGLE)		1000068	(1)	LD, XCD
21	87703ZW5U01	MARK, REMOTE CONTROL (SINGLE)		1000608	(1)	XCD
21	87703ZW5U01	MARK, REMOTE CONTROL (SINGLE)		1004562	(1)	LD
21	87703ZW5U02	MARK, REMOTE CONTROL (SINGLE)	1004563		(1)	LD, LU, XU, XCD
21	87703ZW5U02	MARK, REMOTE CONTROL (SINGLE)	1000609		(1)	XCD
21	87703ZW5U02	MARK, REMOTE CONTROL (SINGLE)			(1)	LU, XU
22	90101ZW5U00	SCREW, PAN, 5X16			(2)	LD, LU, XU, XCD
23	90102ZW5U00	SCREW, PAN, 5X10			(1)	LD, LU, XU, XCD
24	90103ZW5U01	SCREW, PAN, 5X20			(2)	LD, LU, XU, XCD
25	90104ZW5U00	SCREW, PAN, 5X18			(4)	LD, LU, XU, XCD
26	90105ZW5U01	SCREW, PAN, 4X10			(2)	LD, LU, XU, XCD
27	90106ZW5U00	SCREW, PAN, 6X18			(2)	LD, LU, XU, XCD
28	90107ZW5U00	SCREW, PAN, 5X40			(4)	LD, LU, XU, XCD
29	90301ZW5U00	NUT, HEX., 5MM			(4)	LD, LU, XU, XCD
30	90501ZW5U00	WASHER, LOCK, 5MM			(4)	LD, LU, XU, XCD
31	90502ZW5U00	WASHER, LOCK, 6MM			(2)	LD, LU, XU, XCD
32	90503ZW5U00	WASHER, PLAIN, 5MM			(4)	LD, LU, XU, XCD
33	93500050654J	SCREW, PAN, 5X65			(4)	LD, LU, XU, XCD
34	94001054900S	NUT, HEX., 5MM			(4)	LD, LU, XU, XCD
35	90502ZV4000	WASHER, PLAIN, 5MM			(4)	LD, LU, XU, XCD
36	9454006029	E-RING, 6MM			(2)	LD, LU, XU, XCD



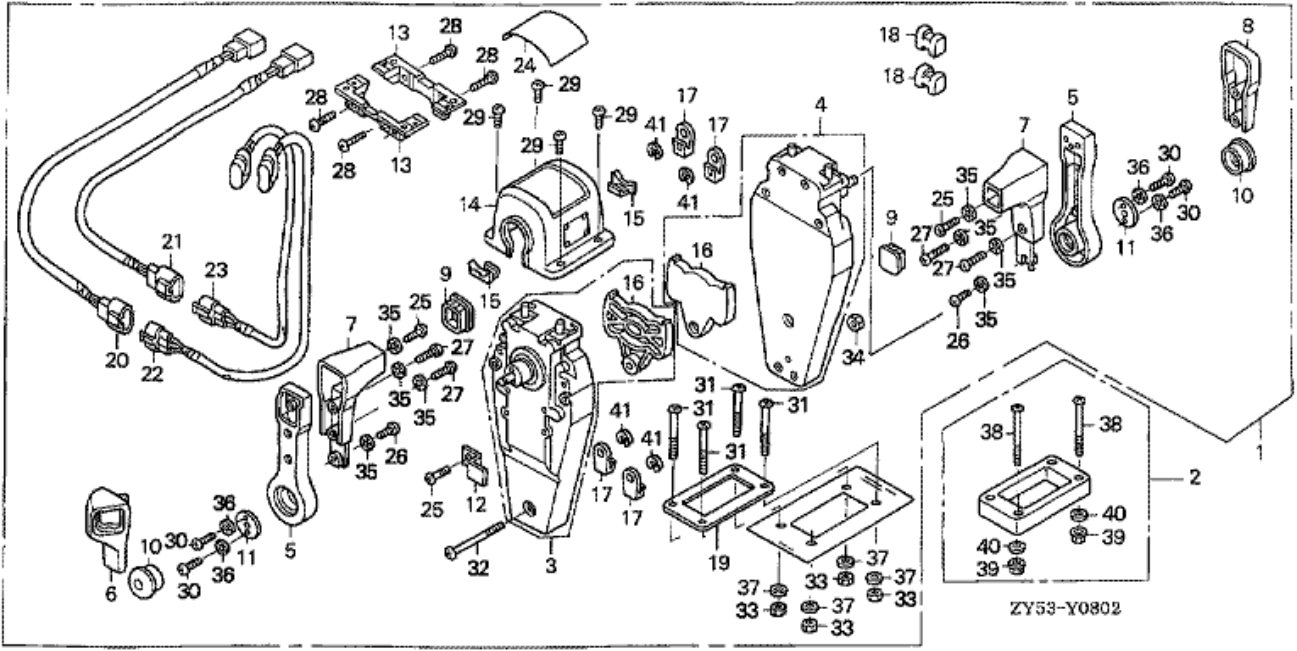
FOP-8-1 REMOTE CONTROL (TOP MOUNT SINGLE TYPE) (LEFT)



Refnr	Parça Numarası	Açıklama	İlk numara	Son numara	Birim Adedi	Tipler
1	06240ZW5U10	BOX KIT, REMOTE CONTROL (TOP MOUNT SINGLE) (L.)			(1)	LD, LU, XU, XCD
2	06241ZW5U00	SPACER KIT, REMOTE CONTROL BOX (TOP MOUNT SINGLE)			(1)	LD, LU, XU, XCD
3	24810ZW5U11	HOUSING ASSY., R. INNER (TOP MOUNT)			(1)	LD, LU, XU, XCD
4	24811ZW5U01	HANDLE, REMOTE CONTROL			(1)	LD, LU, XU, XCD
5	24812ZW5U11	COVER, R. GRIP			(1)	LD, LU, XU, XCD
6	24813ZW5U01	GRIP, REMOTE CONTROL HANDLE			(1)	LD, LU, XU, XCD
7	24814ZW5U01	CAP, GRIP			(1)	LD, LU, XU, XCD
8	24815ZW5U01	CAP, SWITCH			(1)	LD, LU, XU, XCD
9	24816ZW5U01	BUTTON, THROTTLE			(1)	LD, LU, XU, XCD
10	24817ZW5U01	PLATE, HANDLE			(1)	LD, LU, XU, XCD
11	24818ZW5U01	PLATE, CABLE CLAMP			(1)	LD, LU, XU, XCD
12	24819ZW5U01	BRACKET, REMOTE CONTROL HOUSING			(2)	LD, LU, XU, XCD
13	24820ZW5U01	HOUSING COMP., REMOTE CONTROL BOX			(1)	LD, LU, XU, XCD
14	24825ZW5U01	HOUSING, LEAD			(1)	LD, LU, XU, XCD
15	24826ZW5U01	PLATE, DWELL			(1)	LD, LU, XU, XCD
16	24831ZW5U01	TERMINAL, CABLE			(2)	LD, LU, XU, XCD
17	24832ZW5U01	SPACER, CABLE CLAMP			(1)	LD, LU, XU, XCD
18	24834ZW5U01	PACKING, SINGLE			(1)	LD, LU, XU, XCD
19	32530ZW7U10	SUB HARNESS ASSY., POWER TRIM-TILT (B)			(1)	LD, LU, XU, XCD
20	35370ZW5U12	SWITCH ASSY., POWER TRIM-TILT (B)			(1)	LD, LU, XU, XCD

21	87703ZW5U01	MARK, REMOTE CONTROL (SINGLE)		1000068	(1)	LD, XCD
21	87703ZW5U01	MARK, REMOTE CONTROL (SINGLE)		1000608	(1)	XCD
21	87703ZW5U01	MARK, REMOTE CONTROL (SINGLE)		1004562	(1)	LD
21	87703ZW5U02	MARK, REMOTE CONTROL (SINGLE)	1004563		(1)	LD, LU, XU, XCD
21	87703ZW5U02	MARK, REMOTE CONTROL (SINGLE)	1000609		(1)	XCD
21	87703ZW5U02	MARK, REMOTE CONTROL (SINGLE)			(1)	LU, XU
22	90101ZW5U00	SCREW, PAN, 5X16			(2)	LD, LU, XU, XCD
23	90102ZW5U00	SCREW, PAN, 5X10			(1)	LD, LU, XU, XCD
24	90103ZW5U01	SCREW, PAN, 5X20			(2)	LD, LU, XU, XCD
25	90104ZW5U00	SCREW, PAN, 5X18			(4)	LD, LU, XU, XCD
26	90105ZW5U01	SCREW, PAN, 4X10			(2)	LD, LU, XU, XCD
27	90106ZW5U00	SCREW, PAN, 6X18			(2)	LD, LU, XU, XCD
28	90107ZW5U00	SCREW, PAN, 5X40			(4)	LD, LU, XU, XCD
29	90301ZW5U00	NUT, HEX., 5MM			(4)	LD, LU, XU, XCD
30	90501ZW5U00	WASHER, LOCK, 5MM			(4)	LD, LU, XU, XCD
31	90502ZW5U00	WASHER, LOCK, 6MM			(2)	LD, LU, XU, XCD
32	90503ZW5U00	WASHER, PLAIN, 5MM			(4)	LD, LU, XU, XCD
33	93500050654J	SCREW, PAN, 5X65			(4)	LD, LU, XU, XCD
34	94001054900S	NUT, HEX., 5MM			(4)	LD, LU, XU, XCD
35	90502ZV4000	WASHER, PLAIN, 5MM			(4)	LD, LU, XU, XCD
36	9454006029	E-RING, 6MM			(2)	LD, LU, XU, XCD

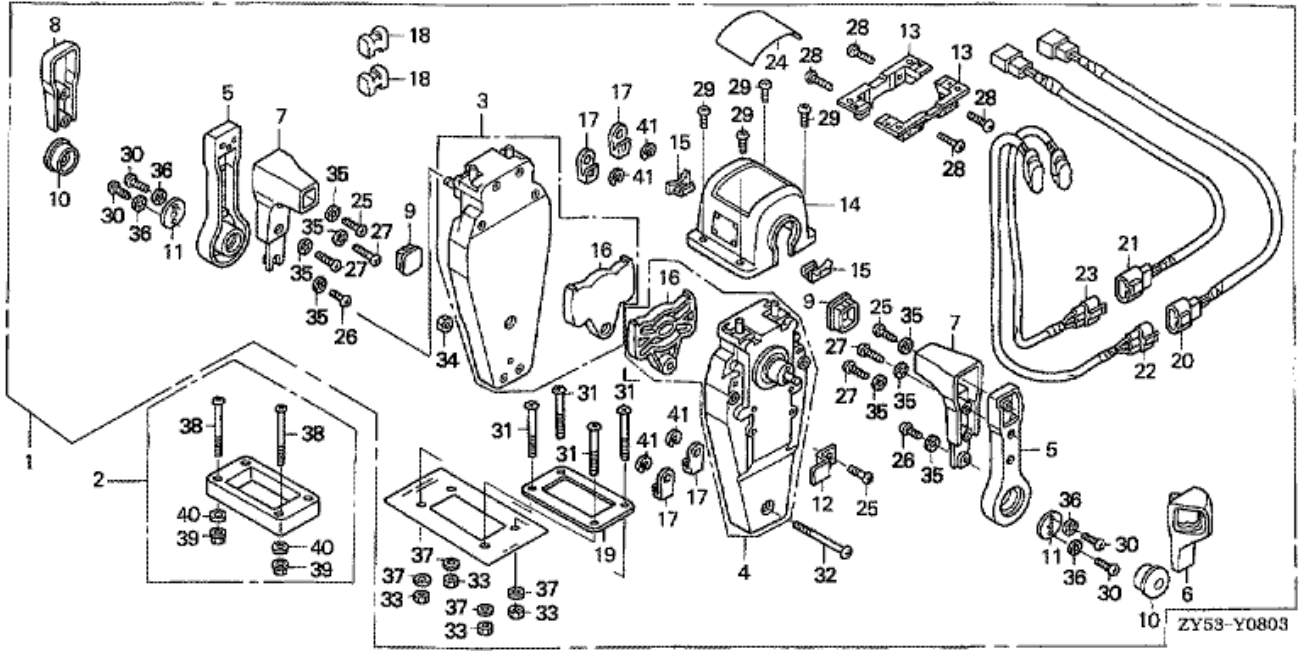
FOP-8-2 REMOTE CONTROL (TOP MOUNT DUAL TYPE) (RIGHT)



Refnr	Parça Numarası	Açıklama	İlk numara	Son numara	Birim Adedi	Tipler
1	06240ZW5U20	BOX KIT, REMOTE CONTROL (TOP MOUNT DUAL) (R.)			(1)	LD, LU, XU, XCD
2	06241ZW5U10	SPACER KIT, REMOTE CONTROL BOX (TOP MOUNT DUAL)			(1)	LD, LU, XU, XCD
3	24810ZW5U01	HOUSING ASSY., L. INNER (TOP MOUNT)			(1)	LD, LU, XU, XCD
4	24810ZW5U11	HOUSING ASSY., R. INNER (TOP MOUNT)			(1)	LD, LU, XU, XCD
5	24811ZW5U01	HANDLE, REMOTE CONTROL			(2)	LD, LU, XU, XCD
6	24812ZW5U01	COVER, L. GRIP			(1)	LD, LU, XU, XCD
7	24813ZW5U01	GRIP, REMOTE CONTROL HANDLE			(2)	LD, LU, XU, XCD
8	24813ZW5U21	COVER, DUAL GRIP			(1)	LD, LU, XU, XCD
9	24814ZW5U01	CAP, GRIP			(2)	LD, LU, XU, XCD
10	24816ZW5U01	BUTTON, THROTTLE			(2)	LD, LU, XU, XCD
11	24817ZW5U01	PLATE, HANDLE			(2)	LD, LU, XU, XCD
12	24818ZW5U01	PLATE, CABLE CLAMP			(1)	LD, LU, XU, XCD
13	24819ZW5U01	BRACKET, REMOTE CONTROL HOUSING			(2)	LD, LU, XU, XCD
14	24820ZW5U21	HOUSING COMP., DUAL REMOTE CONTROL BOX			(1)	LD, LU, XU, XCD
15	24825ZW5U01	HOUSING, LEAD			(2)	LD, LU, XU, XCD
16	24826ZW5U01	PLATE, DWELL			(2)	LD, LU, XU, XCD
17	24831ZW5U01	TERMINAL, CABLE			(4)	LD, LU, XU, XCD
18	24832ZW5U01	SPACER, CABLE CLAMP			(2)	LD, LU, XU, XCD
19	24834ZW5U21	PACKING, DUAL			(1)	LD, LU, XU, XCD
20	32530ZW7U00	SUB HARNESS ASSY., POWER TRIM-TILT (A)			(1)	LD, LU, XU, XCD

21	32530ZW7U10	SUB HARNESS ASSY., POWER TRIM-TILT (B)			(1)	LD, LU, XU, XCD
22	35370ZW5U02	SWITCH ASSY., POWER TRIM-TILT (A)			(1)	LD, LU, XU, XCD
23	35370ZW5U12	SWITCH ASSY., POWER TRIM-TILT (B)			(1)	LD, LU, XU, XCD
24	87703ZW5U21	MARK, REMOTE CONTROL (DUAL)			(1)	LD, XCD
24	87703ZW5U22	MARK, REMOTE CONTROL (DUAL)			(1)	LU, XU
25	90101ZW5U00	SCREW, PAN, 5X16			(3)	LD, LU, XU, XCD
26	90102ZW5U00	SCREW, PAN, 5X10			(2)	LD, LU, XU, XCD
27	90103ZW5U01	SCREW, PAN, 5X20			(4)	LD, LU, XU, XCD
28	90104ZW5U00	SCREW, PAN, 5X18			(4)	LD, LU, XU, XCD
29	90105ZW5U01	SCREW, PAN, 4X10			(4)	LD, LU, XU, XCD
30	90106ZW5U00	SCREW, PAN, 6X18			(4)	LD, LU, XU, XCD
31	90107ZW5U00	SCREW, PAN, 5X40			(4)	LD, LU, XU, XCD
32	90108ZW5U00	SCREW, PAN, 5X55			(1)	LD, LU, XU, XCD
33	90301ZW5U00	NUT, HEX., 5MM			(4)	LD, LU, XU, XCD
34	90302ZW5U21	NUT, HEX., 5MM			(1)	LD, LU, XU, XCD
35	90501ZW5U00	WASHER, LOCK, 5MM			(8)	LD, LU, XU, XCD
36	90502ZW5U00	WASHER, LOCK, 6MM			(4)	LD, LU, XU, XCD
37	90503ZW5U00	WASHER, PLAIN, 5MM			(4)	LD, LU, XU, XCD
38	93500050654J	SCREW, PAN, 5X65			(4)	LD, LU, XU, XCD
39	94001054900S	NUT, HEX., 5MM			(4)	LD, LU, XU, XCD
40	90502ZV4000	WASHER, PLAIN, 5MM			(4)	LD, LU, XU, XCD
41	9454006029	E-RING, 6MM			(4)	LD, LU, XU, XCD

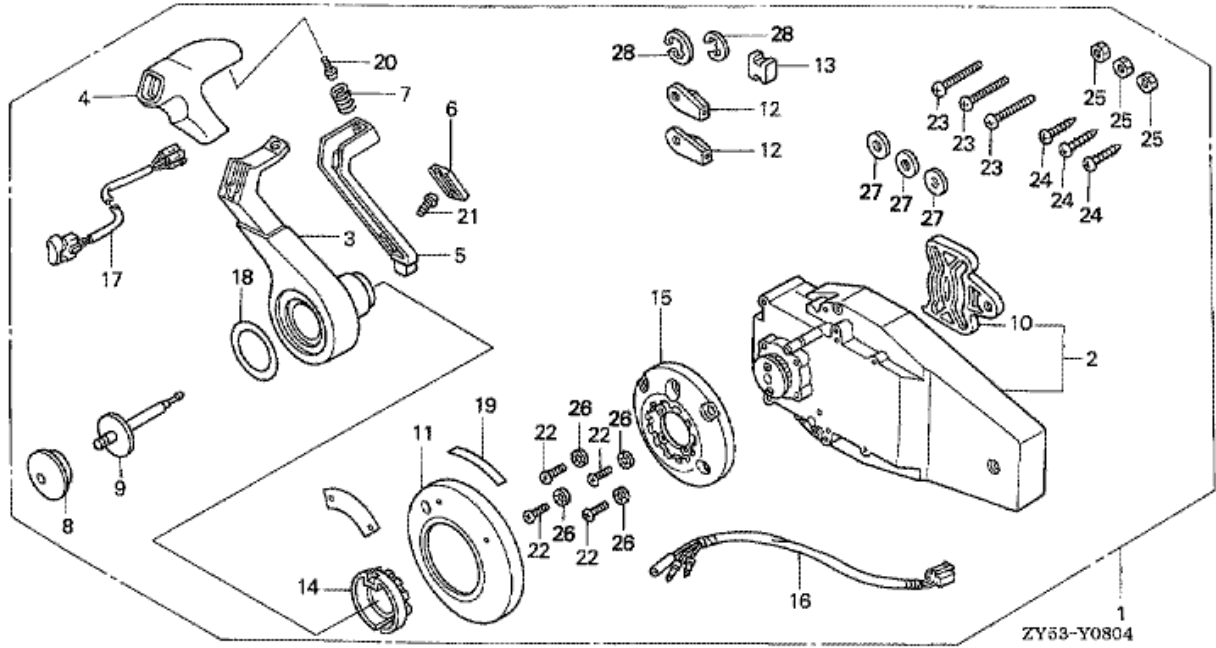
FOP-8-3 REMOTE CONTROL (TOP MOUNT DUAL TYPE) (LEFT)



Refnr	Parça Numarası	Açıklama	İlk numara	Son numara	Birim Adedi	Tipler
1	06240ZW5U30	BOX KIT, REMOTE CONTROL (TOP MOUNT DUAL) (L.)			(1)	LD, LU, XU, XCD
2	06241ZW5U10	SPACER KIT, REMOTE CONTROL BOX (TOP MOUNT DUAL)			(1)	LD, LU, XU, XCD
3	24810ZW5U01	HOUSING ASSY., L. INNER (TOP MOUNT)			(1)	LD, LU, XU, XCD
4	24810ZW5U11	HOUSING ASSY., R. INNER (TOP MOUNT)			(1)	LD, LU, XU, XCD
5	24811ZW5U01	HANDLE, REMOTE CONTROL			(2)	LD, LU, XU, XCD
6	24812ZW5U01	COVER, L. GRIP			(1)	LD, LU, XU, XCD
7	24813ZW5U01	GRIP, REMOTE CONTROL HANDLE			(2)	LD, LU, XU, XCD
8	24813ZW5U21	COVER, DUAL GRIP			(1)	LD, LU, XU, XCD
9	24814ZW5U01	CAP, GRIP			(2)	LD, LU, XU, XCD
10	24816ZW5U01	BUTTON, THROTTLE			(2)	LD, LU, XU, XCD
11	24817ZW5U01	PLATE, HANDLE			(2)	LD, LU, XU, XCD
12	24818ZW5U01	PLATE, CABLE CLAMP			(1)	LD, LU, XU, XCD
13	24819ZW5U01	BRACKET, REMOTE CONTROL HOUSING			(2)	LD, LU, XU, XCD
14	24820ZW5U21	HOUSING COMP., DUAL REMOTE CONTROL BOX			(1)	LD, LU, XU, XCD
15	24825ZW5U01	HOUSING, LEAD			(2)	LD, LU, XU, XCD
16	24826ZW5U01	PLATE, DWELL			(2)	LD, LU, XU, XCD
17	24831ZW5U01	TERMINAL, CABLE			(4)	LD, LU, XU, XCD
18	24832ZW5U01	SPACER, CABLE CLAMP			(2)	LD, LU, XU, XCD
19	24834ZW5U21	PACKING, DUAL			(1)	LD, LU, XU, XCD
20	32530ZW7U00	SUB HARNESS ASSY., POWER TRIM-TILT (A)			(1)	LD, LU, XU, XCD

21	32530ZW7U10	SUB HARNESS ASSY., POWER TRIM-TILT (B)			(1)	LD, LU, XU, XCD
22	35370ZW5U02	SWITCH ASSY., POWER TRIM-TILT (A)			(1)	LD, LU, XU, XCD
23	35370ZW5U12	SWITCH ASSY., POWER TRIM-TILT (B)			(1)	LD, LU, XU, XCD
24	87703ZW5U21	MARK, REMOTE CONTROL (DUAL)			(1)	LD, XCD
24	87703ZW5U22	MARK, REMOTE CONTROL (DUAL)			(1)	LU, XU
25	90101ZW5U00	SCREW, PAN, 5X16			(3)	LD, LU, XU, XCD
26	90102ZW5U00	SCREW, PAN, 5X10			(2)	LD, LU, XU, XCD
27	90103ZW5U01	SCREW, PAN, 5X20			(4)	LD, LU, XU, XCD
28	90104ZW5U00	SCREW, PAN, 5X18			(4)	LD, LU, XU, XCD
29	90105ZW5U01	SCREW, PAN, 4X10			(4)	LD, LU, XU, XCD
30	90106ZW5U00	SCREW, PAN, 6X18			(4)	LD, LU, XU, XCD
31	90107ZW5U00	SCREW, PAN, 5X40			(4)	LD, LU, XU, XCD
32	90108ZW5U00	SCREW, PAN, 5X55			(1)	LD, LU, XU, XCD
33	90301ZW5U00	NUT, HEX., 5MM			(4)	LD, LU, XU, XCD
34	90302ZW5U21	NUT, HEX., 5MM			(1)	LD, LU, XU, XCD
35	90501ZW5U00	WASHER, LOCK, 5MM			(8)	LD, LU, XU, XCD
36	90502ZW5U00	WASHER, LOCK, 6MM			(4)	LD, LU, XU, XCD
37	90503ZW5U00	WASHER, PLAIN, 5MM			(4)	LD, LU, XU, XCD
38	93500050654J	SCREW, PAN, 5X65			(4)	LD, LU, XU, XCD
39	94001054900S	NUT, HEX., 5MM			(4)	LD, LU, XU, XCD
40	90502ZV4000	WASHER, PLAIN, 5MM			(4)	LD, LU, XU, XCD
41	9454006029	E-RING, 6MM			(4)	LD, LU, XU, XCD

FOP-8-4 REMOTE CONTROL (FLUSH MOUNT TYPE) (RIGHT)

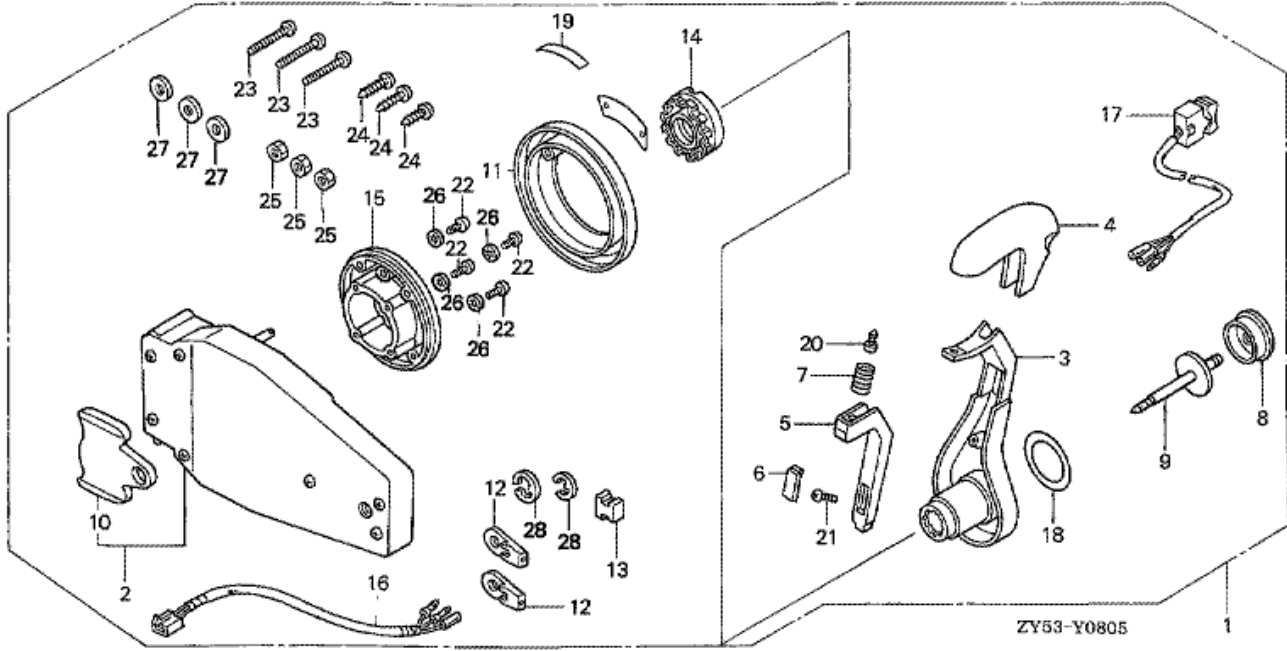


Refnr	Parça Numarası	Açıklama	İlk numara	Son numara	Birim Adedi	Tipler
1	06240ZW7U00	BOX KIT, REMOTE CONTROL (FLUSH MOUNT) (R.)			(1)	LD, LU, XU, XCD
2	24810ZW7U01	HOUSING ASSY., R. INNER (FLUSH MOUNT)			(1)	LD, LU, XU, XCD
3	24811ZW7U01	HANDLE, REMOTE CONTROL			(1)	LD, LU, XU, XCD
4	24812ZW7U01	COVER, GRIP			(1)	LD, LU, XU, XCD
5	24813ZW7U01	ARM, NEUTRAL LOCK			(1)	LD, LU, XU, XCD
6	24814ZW7U01	COVER, LOCK ARM			(1)	LD, LU, XU, XCD
7	24815ZW7U01	SPRING, NEUTRAL LOCK ARM			(1)	LD, LU, XU, XCD
8	24816ZW5U01	BUTTON, THROTTLE			(1)	LD, LU, XU, XCD
9	24817ZW7U01	SHAFT, THROTTLE BUTTON			(1)	LD, LU, XU, XCD
10	24826ZW5U01	PLATE, DWELL			(1)	LD, LU, XU, XCD
11	24830ZW7U01	COVER ASSY.			(1)	LD, LU, XU, XCD
12	24831ZW5U01	TERMINAL, CABLE			(2)	LD, LU, XU, XCD
13	24832ZW5U01	SPACER, CABLE CLAMP			(1)	LD, LU, XU, XCD
14	24832ZW7U01	HOLDER, NEUTRAL LOCK			(1)	LD, LU, XU, XCD
15	24833ZW7U01	BASE			(1)	LD, LU, XU, XCD
16	32530ZW7U20	SUB HARNESS ASSY., POWER TRIM-TILT (C)			(1)	LD, LU, XU, XCD
17	35370ZW7U02	SWITCH ASSY., POWER TRIM-TILT (C)			(1)	LD, LU, XU, XCD
18	87701ZW7U00	MARK, HANDLE FLUSH MOUNT		1000608	(1)	XCD
18	87701ZW7U00	MARK, HANDLE FLUSH MOUNT		1004562	(1)	LD
18	87701ZW7U00	MARK, HANDLE FLUSH MOUNT		1000068	(1)	LD, XCD
18	87701ZW7U01	MARK, HANDLE FLUSH MOUNT	1004563		(1)	LD, LU, XU, XCD
18	87701ZW7U01	MARK, HANDLE FLUSH MOUNT			(1)	LU, XU

18	87701ZW7U01	MARK, HANDLE FLUSH MOUNT	1000609		(1)	XCD
19	87703ZW7U00	MARK, FLUSH MOUNT			(1)	LD, LU, XU, XCD
20	90101ZW5U00	SCREW, PAN, 5X16			(1)	LD, LU, XU, XCD
21	90101ZW7U01	SCREW, TRUSS, 4X12			(1)	LD, LU, XU, XCD
22	90102ZW7U01	SCREW, PAN, 5X30			(4)	LD, LU, XU, XCD
23	90103ZW7U01	SCREW, PAN, 6X35			(3)	LD, LU, XU, XCD
24	90104ZW7U01	SCREW, TAPPING, 6X30			(3)	LD, LU, XU, XCD
25	90301ZW7U01	NUT, HEX., 6MM			(3)	LD, LU, XU, XCD
26	90501ZW5U00	WASHER, LOCK, 5MM			(4)	LD, LU, XU, XCD
27	90502ZW7U00	WASHER, PLAIN, 6MM			(3)	LD, LU, XU, XCD
28	9454006029	E-RING, 6MM			(2)	LD, LU, XU, XCD



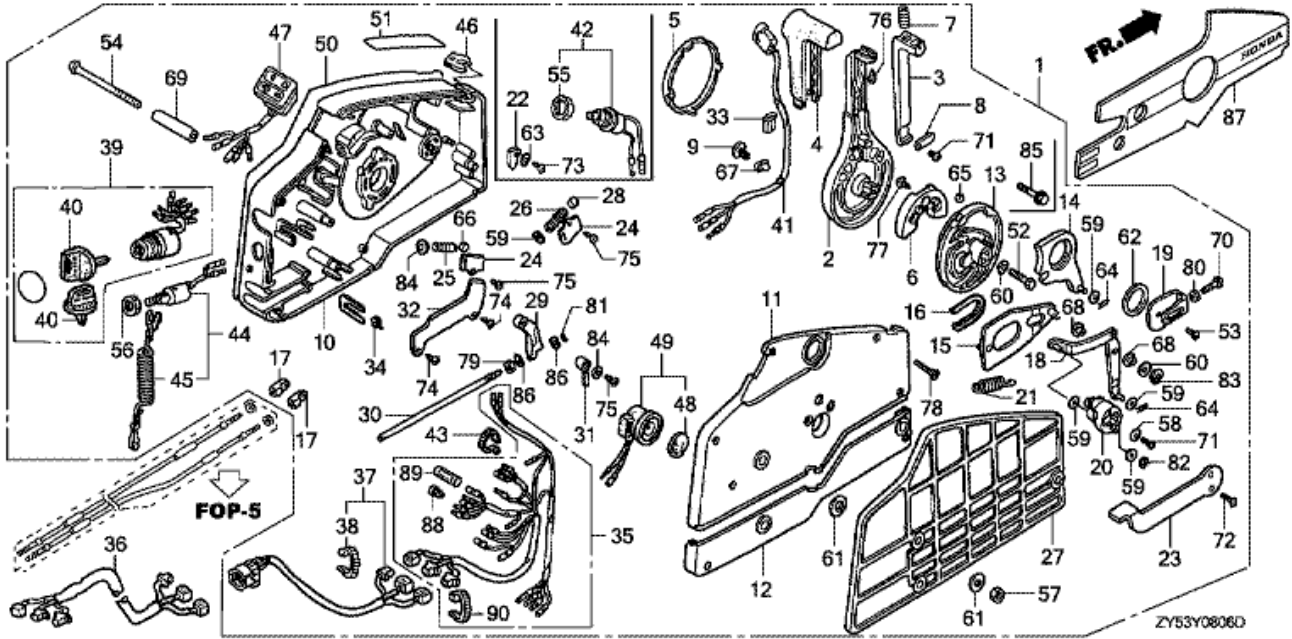
FOP-8-5 REMOTE CONTROL (FLUSH MOUNT TYPE) (LEFT)



Refnr	Parça Numarası	Açıklama	İlk numara	Son numara	Birim Adedi	Tipler
1	06240ZW7U10	BOX KIT, REMOTE CONTROL (FLUSH MOUNT) (L.)			(1)	LD, LU, XU, XCD
2	24810ZW7U11	HOUSING ASSY., L. INNER (FLUSH MOUNT)			(1)	LD, LU, XU, XCD
3	24811ZW7U01	HANDLE, REMOTE CONTROL			(1)	LD, LU, XU, XCD
4	24812ZW7U01	COVER, GRIP			(1)	LD, LU, XU, XCD
5	24813ZW7U01	ARM, NEUTRAL LOCK			(1)	LD, LU, XU, XCD
6	24814ZW7U01	COVER, LOCK ARM			(1)	LD, LU, XU, XCD
7	24815ZW7U01	SPRING, NEUTRAL LOCK ARM			(1)	LD, LU, XU, XCD
8	24816ZW5U01	BUTTON, THROTTLE			(1)	LD, LU, XU, XCD
9	24817ZW7U01	SHAFT, THROTTLE BUTTON			(1)	LD, LU, XU, XCD
10	24826ZW5U01	PLATE, DWELL			(1)	LD, LU, XU, XCD
11	24830ZW7U01	COVER ASSY.			(1)	LD, LU, XU, XCD
12	24831ZW5U01	TERMINAL, CABLE			(2)	LD, LU, XU, XCD
13	24832ZW5U01	SPACER, CABLE CLAMP			(1)	LD, LU, XU, XCD
14	24832ZW7U01	HOLDER, NEUTRAL LOCK			(1)	LD, LU, XU, XCD
15	24833ZW7U01	BASE			(1)	LD, LU, XU, XCD
16	32530ZW7U20	SUB HARNESS ASSY., POWER TRIM-TILT (C)			(1)	LD, LU, XU, XCD
17	35370ZW7U02	SWITCH ASSY., POWER TRIM-TILT (C)			(1)	LD, LU, XU, XCD
18	87701ZW7U00	MARK, HANDLE FLUSH MOUNT		1000608	(1)	XCD
18	87701ZW7U00	MARK, HANDLE FLUSH MOUNT		1004562	(1)	LD
18	87701ZW7U00	MARK, HANDLE FLUSH MOUNT		1000068	(1)	LD, XCD
18	87701ZW7U01	MARK, HANDLE FLUSH MOUNT	1001008		(1)	LD, LU, XU, XCD
18	87701ZW7U01	MARK, HANDLE FLUSH MOUNT			(1)	LU, XU

18	87701ZW7U01	MARK, HANDLE FLUSH MOUNT	1000609		(1)	XCD
18	87701ZW7U01	MARK, HANDLE FLUSH MOUNT	1004563		(1)	LD
19	87703ZW7U00	MARK, FLUSH MOUNT			(1)	LD, LU, XU, XCD
20	90101ZW5U00	SCREW, PAN, 5X16			(1)	LD, LU, XU, XCD
21	90101ZW7U01	SCREW, TRUSS, 4X12			(1)	LD, LU, XU, XCD
22	90102ZW7U01	SCREW, PAN, 5X30			(4)	LD, LU, XU, XCD
23	90103ZW7U01	SCREW, PAN, 6X35			(3)	LD, LU, XU, XCD
24	90104ZW7U01	SCREW, TAPPING, 6X30			(3)	LD, LU, XU, XCD
25	90301ZW7U01	NUT, HEX., 6MM			(3)	LD, LU, XU, XCD
26	90501ZW5U00	WASHER, LOCK, 5MM			(4)	LD, LU, XU, XCD
27	90502ZW7U00	WASHER, PLAIN, 6MM			(3)	LD, LU, XU, XCD
28	9454006029	E-RING, 6MM			(2)	LD, LU, XU, XCD

FOP-8-6 REMOTE CONTROL



Refnr	Parça Numarası	Açıklama	İlk numara	Son numara	Birim Adedi	Tipler
1	24800ZW2U80	BOX ASSY., REMOTE CONTROL (EU)	1000284	1000313	(1)	LU, XU
1	24800ZW2U80	BOX ASSY., REMOTE CONTROL (EU)	1009928	1010487	(1)	LU, XU
1	24800ZW2U80	BOX ASSY., REMOTE CONTROL (EU)	1001363	1001414	(1)	LU, XU
1	24800ZW4H12	BOX ASSY., REMOTE CONTROL (P/T)		1007473	(1)	LD, LU, XU, XCD
1	24800ZW4H12	BOX ASSY., REMOTE CONTROL (P/T)		1000955	(1)	XCD
1	24800ZW4H13	BOX ASSY., REMOTE CONTROL (P/T)	1007474	1008815	(1)	LD, LU, XU, XCD
1	24800ZW4H13	BOX ASSY., REMOTE CONTROL (P/T)	1000956	1001154	(1)	XCD
1	24800ZW4H14	BOX ASSY., REMOTE CONTROL (P/T) (2-LED)	1003140	1003840	(1)	LD, LU, XU, XCD
1	24800ZW4H14	BOX ASSY., REMOTE CONTROL (P/T) (2-LED)	1008816	1010487	(1)	LD, LU, XU, XCD
1	24800ZW4H14	BOX ASSY., REMOTE CONTROL (P/T) (2-LED)	1001155	1001414	(1)	XCD
1	24800ZW4H14	BOX ASSY., REMOTE CONTROL (P/T) (2-LED)	1008816	1009927	(1)	LU, XU
1	24800ZZ5030	BOX ASSY., REMOTE CONTROL	1010488		(1)	LD, XCD
1	24800ZZ5030	BOX ASSY., REMOTE CONTROL	1001415		(1)	XCD
1	24800ZZ5781	BOX ASSY., REMOTE CONTROL (EU)	1010488		(1)	LU, XU
2	24811ZV5000	HANDLE, REMOTE CONTROL			(1)	LD, LU, XU, XCD
2	24811ZV5000	HANDLE, REMOTE CONTROL		1007473	(1)	LD, LU, XU
2	24811ZV5000	HANDLE, REMOTE CONTROL		1000955	(1)	XCD
2	24811ZV5010	HANDLE, REMOTE CONTROL	1007474		(1)	LD, LU, XU, XCD
2	24811ZV5010	HANDLE, REMOTE CONTROL	1000956		(1)	XCD
3	24812ZV5000	LEVER, HANDLE LOCK			(1)	LD, LU, XU, XCD
4	24813ZV5000	GRIP, REMOTE CONTROL HANDLE			(1)	LD, LU, XU, XCD
5	24814ZV5010	CAP, HANDLE			(1)	LD, LU, XU, XCD
6	24815ZV5000	BLOCK, NEUTRAL LOCK			(1)	LD, LU, XU, XCD
6	24815ZV5000	BLOCK, NEUTRAL LOCK		1000955	(1)	XCD
6	24815ZV5000	BLOCK, NEUTRAL LOCK		1007473	(1)	LD, LU, XU
6	24815ZV5010	BLOCK, NEUTRAL LOCK	1002543		(1)	LD, LU, XU, XCD
6	24815ZV5010	BLOCK, NEUTRAL LOCK	1000956		(1)	XCD

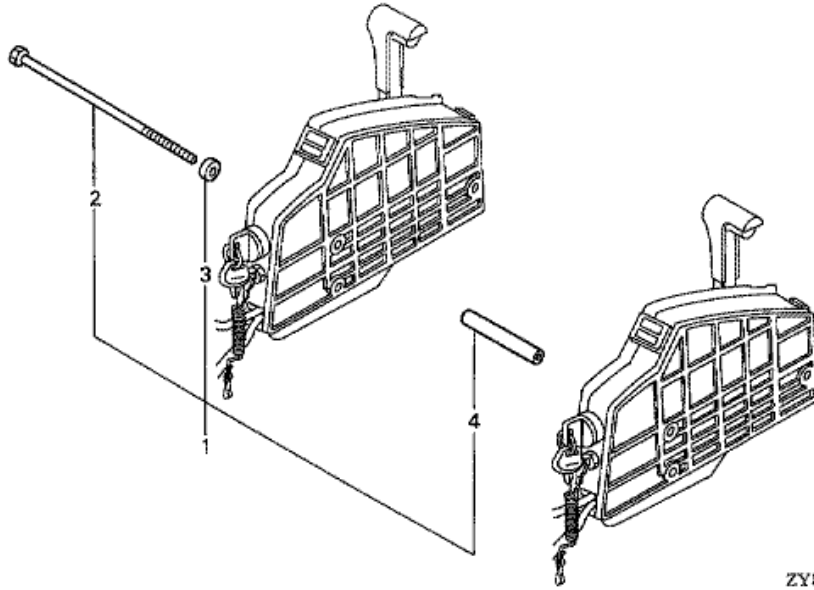
6	24815ZV5010	BLOCK, NEUTRAL LOCK	1007474		(1)	LD, LU, XU
7	24816ZV5000	SPRING, REMOTE CONTROL HANDLE			(1)	LD, LU, XU, XCD
8	24817ZV5000	PLATE, LEVER SETTING			(1)	LD, LU, XU, XCD
9	24818ZV5003	CLAMP, HARNESS			(1)	LD, LU, XU, XCD
10	24820ZV5000	HOUSING COMP., REMOTE CONTROL BOX (A)			(1)	LD, LU, XU, XCD
10	24820ZV5000	HOUSING COMP., REMOTE CONTROL BOX (A)		1000955	(1)	XCD
10	24820ZV5000	HOUSING COMP., REMOTE CONTROL BOX (A)		1007473	(1)	LD, LU, XU
10	24820ZV5010	HOUSING COMP., REMOTE CONTROL BOX (A)	1007474		(1)	LD, LU, XU
10	24820ZV5010	HOUSING COMP., REMOTE CONTROL BOX (A)	1000175		(1)	LD, LU, XU, XCD
10	24820ZV5010	HOUSING COMP., REMOTE CONTROL BOX (A)	1000956		(1)	XCD
11	24830ZV5010	HOUSING COMP., REMOTE CONTROL BOX (B)			(1)	LD, LU, XU, XCD
12	24836ZV5000	HOUSING, REMOTE CONTROL BOX (C)			(1)	LD, LU, XU, XCD
13	24841ZV5000	WHEEL, CONTROL			(1)	LD, LU, XU, XCD
14	24845ZV5000	ARM COMP., SHIFT LINK			(1)	LD, LU, XU, XCD
15	24850ZV5000	PLATE COMP., SLIDING			(1)	LD, LU, XU, XCD
16	24854ZV5000	COLLAR, SLIDING PLATE			(1)	LD, LU, XU, XCD
17	24855ZV5000	PIVOT, SHIFT			(2)	LD, LU, XU, XCD
18	24860ZV5000	ARM COMP., LINK JOINT			(1)	LD, LU, XU, XCD
19	24865ZV5000	BRACKET, LINK JOINT			(1)	LD, LU, XU, XCD
20	24875ZV5000	WHEEL, ACCELERATOR			(1)	LD, LU, XU, XCD
21	24876ZV5000	SPRING, ACCELERATOR WHEEL			(1)	LD, LU, XU, XCD
22	24877ZV5000	CAM, STARTER SWITCH			(1)	LD, LU, XU, XCD
23	24878ZV5000	LEVER, IDLE			(1)	LD, LU, XU, XCD
24	24881ZV5000	PLATE, SPRING SETTING			(2)	LD, LU, XU, XCD
25	24883ZV5000	SPRING, SHIFT CLICK			(1)	LD, LU, XU, XCD
26	24884ZV5000	SPRING, CHOKE RETURN			(1)	LD, LU, XU, XCD
27	24885ZV5000	SPACER, REMOTE CONTROL BOX			(1)	LD, LU, XU, XCD
28	24887ZV5000	SPACER, CLICK SPRING			(1)	LD, LU, XU, XCD
29	24891ZV5000	BLOCK, THROTTLE FRICTION			(1)	LD, LU, XU, XCD
30	24892ZV5000	BOLT, FRICTION			(1)	LD, LU, XU, XCD
31	24894ZV5000	SPACER, NEUTRAL SWITCH			(1)	LD, LU, XU, XCD
32	24895ZV5000	CLAMP, POWER TILT CORD			(1)	LD, LU, XU, XCD
33	24897ZV5000	PIPE, HARNESS GUIDE			(1)	LD, LU, XU, XCD
34	24898ZV5000	SPACER, CABLE CLAMP			(1)	LD, LU, XU, XCD
35	32530ZY3010	CABLE ASSY., REMOTE CONTROL (B)			(1)	LD, LU, XU, XCD
35	32530ZY3010	CABLE ASSY., REMOTE CONTROL (B)		1000313	(1)	LD, LU, XU, XCD
35	32530ZY3010	CABLE ASSY., REMOTE CONTROL (B)		1001414	(1)	XCD
35	32530ZY3010	CABLE ASSY., REMOTE CONTROL (B)		1010487	(1)	LD, LU, XU
35	32530ZZ5000	CABLE ASSY., REMOTE CONTROL (B)	1010488		(1)	LD, LU, XU

35	32530ZZ5000	CABLE ASSY., REMOTE CONTROL (B)	1001415		(1)	XCD
36	32570ZY3900	CABLE ASSY., REMOTE CONTROL EXTENSION			(1)	LD, LU, XU, XCD
36	32570ZY3900	CABLE ASSY., REMOTE CONTROL EXTENSION		1010487	(1)	LD, LU, XU
36	32570ZY3900	CABLE ASSY., REMOTE CONTROL EXTENSION		1001414	(1)	XCD
37	32580ZY3000	CABLE ASSY., SWITCH PANEL		1001414	(1)	XCD
37	32580ZY3000	CABLE ASSY., SWITCH PANEL			(1)	LD, LU, XU, XCD
37	32580ZY3000	CABLE ASSY., SWITCH PANEL		1010487	(1)	LD, LU, XU
38	32901952770	TIE, CABLE (2.4X92) (NATURAL)			(3)	LD, LU, XU, XCD
38	32901952770	TIE, CABLE (2.4X92) (NATURAL)		1000313	(3)	LD, LU, XU, XCD
38	32901952770	TIE, CABLE (2.4X92) (NATURAL)		1010487	(3)	LD, LU, XU
38	32901952770	TIE, CABLE (2.4X92) (NATURAL)		1001414	(3)	XCD
39	35100ZV5003	SWITCH ASSY., COMBINATION		1001154	(1)	XCD
39	35100ZV5003	SWITCH ASSY., COMBINATION		1008815	(1)	LD, LU, XU
39	35100ZV5003	SWITCH ASSY., COMBINATION			(1)	LD, LU, XU, XCD
39	35100ZV5013	SWITCH ASSY., COMBINATION	1008816		(1)	LD, LU, XU
39	35100ZV5013	SWITCH ASSY., COMBINATION	1001155		(1)	XCD
40	35110ZV5003	KEY ASSY., COMBINATION SWITCH			(2)	LD, LU, XU, XCD
40	35110ZV5003	KEY ASSY., COMBINATION SWITCH		1008815	(2)	LD, LU, XU
40	35110ZV5003	KEY ASSY., COMBINATION SWITCH		1001154	(2)	XCD
41	35370ZV5823	SWITCH ASSY., POWER TRIM-TILT			(1)	LD, LU, XU, XCD
42	35630ZV5003	SWITCH ASSY., SOLENOID			(1)	LD, LU, XU, XCD
43	35701MG9950	BAND (BLACK 3.5X140)			(1)	LD, LU, XU, XCD
44	36180ZV5023	SWITCH ASSY., EMERGENCY STOP			(1)	LD, LU, XU, XCD
45	36182ZV4651	CORD COMP., EMERGENCY			(1)	LD, LU, XU, XCD
46	36187ZV4652	CLIP, EMERGENCY LOCK			(1)	LD, LU, XU, XCD
47	37210ZV5013	LAMP ASSY., INDICATION (2-LED)		1010487	(1)	LD, LU, XU
47	37210ZV5013	LAMP ASSY., INDICATION (2-LED)			(1)	LD, LU, XU, XCD
47	37210ZV5013	LAMP ASSY., INDICATION (2-LED)		1001414	(1)	XCD
47	37210ZZ5013	LAMP ASSY., INDICATION	1010488		(1)	LD, LU, XU, XCD
47	37210ZZ5013	LAMP ASSY., INDICATION	1001415		(1)	XCD
48	38403341672	PLATE, WINKER BUZZER			(1)	LD, LU, XU, XCD
49	38410ZV5003	BUZZER COMP., WARNING			(1)	LD, LU, XU, XCD
50	87701ZV5010	PLATE, REMOTE CONTROL (CAUTION=SILVER)			(1)	LD, LU, XU, XCD
50	87701ZV5010	PLATE, REMOTE CONTROL (CAUTION=SILVER)		1009927	(1)	LU, XU
50	87701ZZ5780	PLATE, REMOTE CONTROL (EU)	1009928		(1)	LU, XU
51	87702ZW5620	MARK, FAST IDLE			(1)	LD, LU, XU, XCD
52	90009ZV5000	BOLT, HEX., 8X35			(1)	LD, LU, XU, XCD
53	90105MM4000	SCREW, PAN, 6X10			(1)	LD, LU, XU, XCD
54	90125ZV5000	SCREW, 6X95			(3)	LD, LU, XU, XCD
55	90302ZV5003	NUT, HEX., 20MM			(1)	LD, LU, XU, XCD
56	90302921000	NUT, HEX., 16MM			(1)	LD, LU, XU, XCD
57	90304ZV4000	NUT, HEX., 6MM			(3)	LD, LU, XU, XCD
58	90502ZV4000	WASHER, PLAIN, 5MM			(1)	LD, LU, XU, XCD
59	90504921010	WASHER, PLAIN, 6MM			(5)	LD, LU, XU,

						XCD
60	90518921000	WASHER, PLAIN, 8MM			(2)	LD, LU, XU, XCD
61	90512921010	WASHER, 6MM			(6)	LD, LU, XU, XCD
62	90557ZV5000	WASHER, 28MM			(1)	LD, LU, XU, XCD
63	90561ZV5000	WASHER, PLAIN, 4MM			(1)	LD, LU, XU, XCD
64	90751ZV5000	PIN, LOCK, 6MM			(2)	LD, LU, XU, XCD
65	90772ZV5000	PIN, 6X6			(1)	LD, LU, XU, XCD
66	91151ZV5000	ROLLER, CLICK			(1)	LD, LU, XU, XCD
67	91475SB6000	CLIP, WIRE HARNESS (6.3MM)			(1)	LD, LU, XU, XCD
68	91567ZV5000	COLLAR, LINK JOINT			(2)	LD, LU, XU, XCD
69	91570ZV5000	COLLAR, DISTANCE, 6X10X43.5			(3)	LD, LU, XU, XCD
70	92101050164J	BOLT, HEX., 5X16			(1)	LD, LU, XU, XCD
71	93500050104J	SCREW, PAN, 5X10			(2)	LD, LU, XU, XCD
72	90108ZW4000	SCREW, FLAT, 5X12			(2)	LD, LU, XU, XCD
73	93901242J0	SCREW, TAPPING, 4X10			(1)	LD, LU, XU, XCD
74	93901250J0	SCREW, TAPPING, 5X8			(2)	LD, LU, XU, XCD
75	93901251J0	SCREW, TAPPING, 5X10			(3)	LD, LU, XU, XCD
76	93901252J0	SCREW, TAPPING, 5X12			(1)	LD, LU, XU, XCD
77	93903262J0	SCREW, TAPPING, 6X16			(2)	LD, LU, XU, XCD
78	93905255J0	SCREW, TAPPING, 5X25			(7)	LD, LU, XU, XCD
79	94001064900S	NUT, HEX., 6MM			(1)	LD, LU, XU, XCD
80	94002054900S	NUT, HEX., 5MM			(1)	LD, LU, XU, XCD
81	9454003029	E-RING, 3MM			(1)	LD, LU, XU, XCD
82	9454004029	E-RING, 4MM			(1)	LD, LU, XU, XCD
83	9454007029	E-RING, 7MM			(1)	LD, LU, XU, XCD
84	90402ZW4000	WASHER, PLAIN, 5MM			(2)	LD, LU, XU, XCD
85	90008ZW9000	BOLT, FLANGE, 8X35			(1)	LD, LU, XU, XCD
86	90401ZW4000	WASHER, PLAIN, 4MM			(2)	LD, LU, XU, XCD
87	87701ZZ5790	PLATE, REMOTE CONTROL (REVERSE)			(1)	LD, LU, XU, XCD
88	32823ZV5003	PLUG, INNER CONNECTOR		1010487	(6)	LD, LU, XU
88	32823ZV5003	PLUG, INNER CONNECTOR			(6)	LD, LU, XU, XCD
88	32823ZV5003	PLUG, INNER CONNECTOR		1000313	(6)	LD, LU, XU, XCD
88	32823ZV5003	PLUG, INNER CONNECTOR	1001415		(7)	XCD
88	32823ZV5003	PLUG, INNER CONNECTOR		1001414	(6)	XCD
88	32823ZV5003	PLUG, INNER CONNECTOR	1010488		(7)	LD, LU, XU
89	32824ZV5003	PLUG, OUTER CONNECTOR			(1)	LD, LU, XU, XCD
90	32901952770	TIE, CABLE (2.4X92) (NATURAL)			(1)	LD, LU, XU, XCD



FOP-9 BOLT KIT

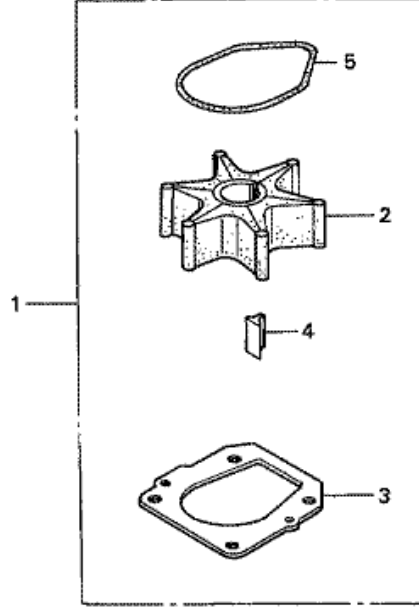


ZY53-Y0900

Refnr	Parça Numarası	Açıklama	İlk numara	Son numara	Birim Adedi	Tipler
1	06900ZW5U00	BOLT KIT, SIDE REMOTE CONTROL			(1)	LD, LU, XU, XCD
2	90021ZW5U00	BOLT, SPECIAL, 6X220			(3)	LD, LU, XU, XCD
3	90511ZW5U00	COLLAR, DISTANCE (A)			(3)	LD, LU, XU, XCD
4	90512ZW5U00	COLLAR, DISTANCE (B)			(3)	LD, LU, XU, XCD



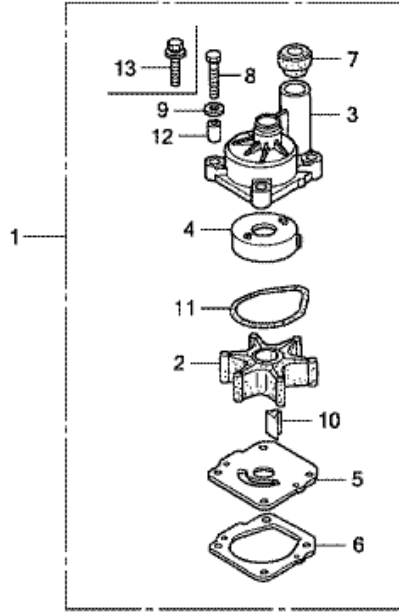
FOP-10 WATER PUMP IMPELLER KIT (1)



ZY53-Y1000

Refnr	Parça Numarası	Açıklama	İlk numara	Son numara	Birim Adedi	Tipler
1	06192ZY6000	PUMP KIT, IMPELLER			(1)	LD, LU, XU, XCD
2	19210ZW1B04	IMPELLER, PUMP			(1)	LD, LU, XU, XCD
3	19234ZY6000	GASKET B, IMPELLER			(1)	LD, LU, XU, XCD
4	90752ZW1B02	KEY, WOODRUFF			(1)	LD, LU, XU, XCD
5	91356ZW1B00	O-RING, WATER PUMP			(1)	LD, LU, XU, XCD

FOP-10-1 WATER PUMP IMPELLER KIT (2)

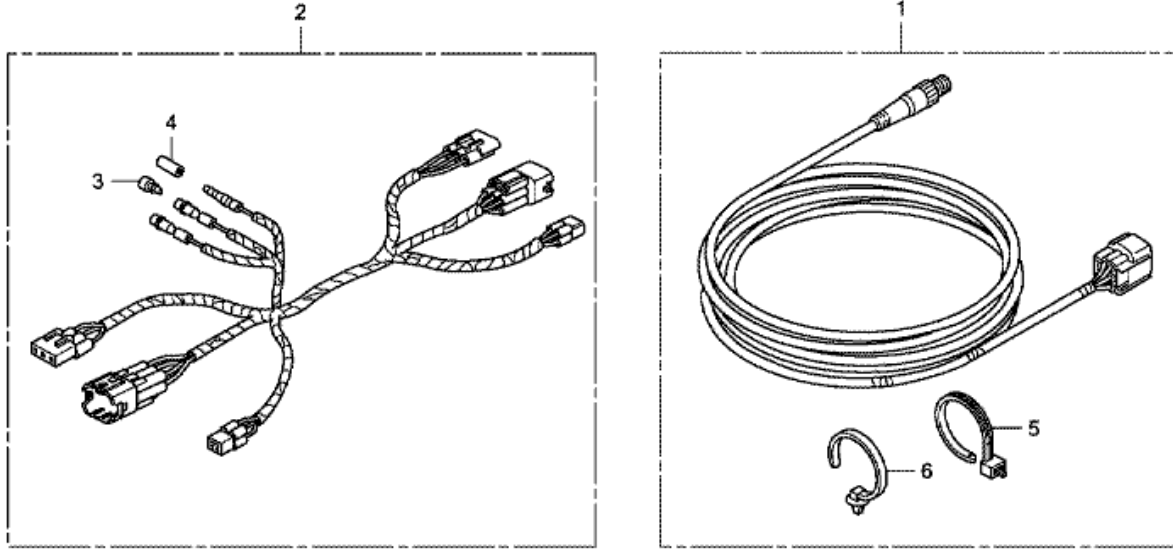


ZY53Y1001A

Refnr	Parça Numarası	Açıklama	İlk numara	Son numara	Birim Adedi	Tipler
1	06193ZY6000	PUMP KIT, IMPELLER		1000281	(1)	LD, LU, XU, XCD
1	06193ZY6000	PUMP KIT, IMPELLER		1009895	(1)	LD, LU, XU
1	06193ZY6000	PUMP KIT, IMPELLER		1001354	(1)	XCD
1	06193ZY6A00	PUMP KIT, IMPELLER	1000282		(1)	LD, LU, XU, XCD
1	06193ZY6A00	PUMP KIT, IMPELLER	1001355	1001414	(1)	XCD
1	06193ZY6A00	PUMP KIT, IMPELLER	1009896	1010487	(1)	LD, LU, XU
1	06193ZY6A01	PUMP KIT, IMPELLER	1010488		(1)	LD, LU, XU, XCD
1	06193ZY6A01	PUMP KIT, IMPELLER	1001415		(1)	XCD
2	19210ZW1B04	IMPELLER, PUMP			(1)	LD, LU, XU, XCD
3	19221ZY6000	HOUSING, IMPELLER			(1)	LD, LU, XU, XCD
3	19221ZY6000	HOUSING, IMPELLER		1001354	(1)	XCD
3	19221ZY6000	HOUSING, IMPELLER		1009895	(1)	LD, LU, XU
3	19221ZY6A00	HOUSING, IMPELLER	1009896		(1)	LD, LU, XU, XCD
3	19221ZY6A00	HOUSING, IMPELLER	1001355		(1)	XCD
4	19223ZW1B00	LINER, PUMP			(1)	LD, LU, XU, XCD
5	19231ZY6000	COVER, IMPELLER			(1)	LD, LU, XU, XCD
6	19234ZY6000	GASKET B, IMPELLER			(1)	LD, LU, XU, XCD
7	19253ZW1B01	RING, WATER TUBE SEAL			(1)	LD, LU, XU, XCD
8	90116881000	BOLT, HEX., 8X40		1001414	(4)	XCD
8	90116881000	BOLT, HEX., 8X40			(4)	LD, LU, XU, XCD
8	90116881000	BOLT, HEX., 8X40		1010487	(4)	LD, LU, XU
9	90514921000	WASHER, 8MM			(4)	LD, LU, XU, XCD
9	90514921000	WASHER, 8MM		1010487	(4)	LD, LU, XU
9	90514921000	WASHER, 8MM		1001414	(4)	XCD
10	90752ZW1B02	KEY, WOODRUFF			(1)	LD, LU, XU, XCD
11	91356ZW1B00	O-RING, WATER PUMP			(1)	LD, LU, XU,

						XCD
12	91552ZY6000	COLLAR, DISTANCE			(4)	LD, LU, XU, XCD
13	90116ZY6000	BOLT-WASHER, 8X40	1000314		(4)	LD, LU, XU, XCD
13	90116ZY6000	BOLT-WASHER, 8X40	1010488		(4)	LD, LU, XU
13	90116ZY6000	BOLT-WASHER, 8X40	1001415		(4)	XCD

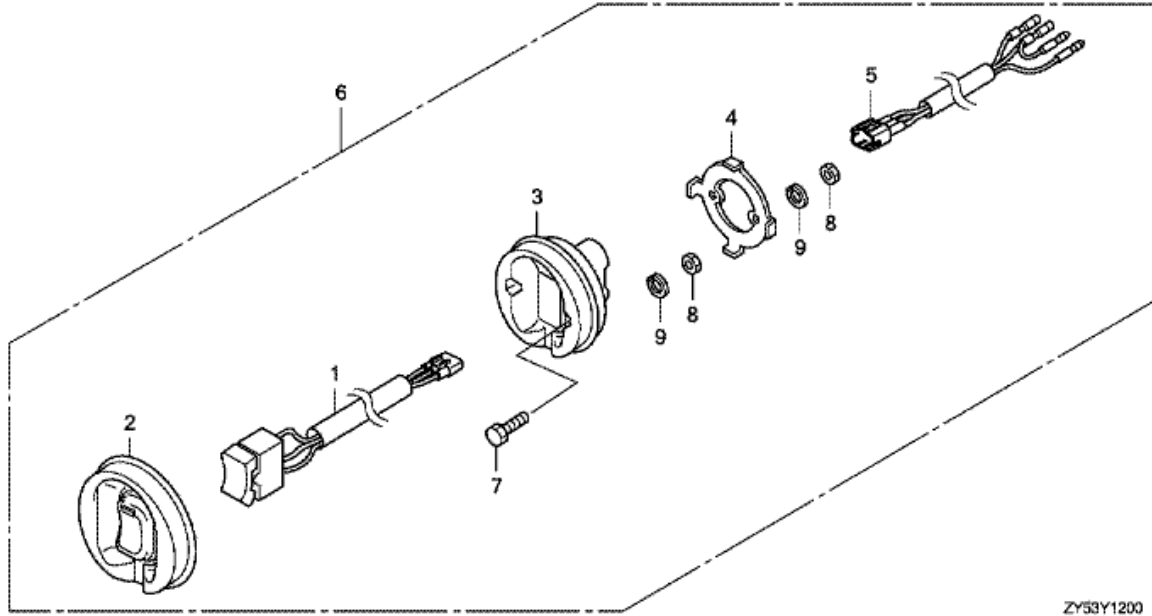
FOP-11 INTERFACE CABLE KIT



ZY53Y1100

Refnr	Parça Numarası	Açıklama	İlk numara	Son numara	Birim Adedi	Tipler
1	06328ZZ3761	KIT, CABLE (NMEA) (6FT)	1000314		(1)	LD, LU, XU, XCD
1	06328ZZ3761	KIT, CABLE (NMEA) (6FT)	1010488		(1)	LD, LU, XU
1	06328ZZ3761	KIT, CABLE (NMEA) (6FT)	1001415		(1)	XCD
2	32186ZZ3000	HARNESS ASSY., REMOTE CONTROL SUB	1000314		(1)	LD, LU, XU, XCD
2	32186ZZ3000	HARNESS ASSY., REMOTE CONTROL SUB	1010488		(1)	LD, LU, XU
2	32186ZZ3000	HARNESS ASSY., REMOTE CONTROL SUB	1001415		(1)	XCD
3	32823ZV5003	PLUG, INNER CONNECTOR	1001415		(2)	XCD
3	32823ZV5003	PLUG, INNER CONNECTOR	1000314		(2)	LD, LU, XU, XCD
3	32823ZV5003	PLUG, INNER CONNECTOR	1010488		(2)	LD, LU, XU
4	32824ZV5003	PLUG, OUTER CONNECTOR	1000314		(1)	LD, LU, XU, XCD
4	32824ZV5003	PLUG, OUTER CONNECTOR	1010488		(1)	LD, LU, XU
4	32824ZV5003	PLUG, OUTER CONNECTOR	1001415		(1)	XCD
5	90650ZY1003	TIE, CABLE	1000314		(2)	LD, LU, XU, XCD
5	90650ZY1003	TIE, CABLE	1001415		(2)	XCD
5	90650ZY1003	TIE, CABLE	1010488		(2)	LD, LU, XU
6	91540STK003	CLIP, HARNESS BAND (BLACK) (155.3MM)	1000314		(2)	LD, LU, XU, XCD
6	91540STK003	CLIP, HARNESS BAND (BLACK) (155.3MM)	1010488		(2)	LD, LU, XU
6	91540STK003	CLIP, HARNESS BAND (BLACK) (155.3MM)	1001415		(2)	XCD

FOP-12 TROLLING CONTROL SWITCH



ZY53Y1200

Refnr	Parça Numarası	Açıklama	İlk numara	Son numara	Birim Adedi	Tipler
1	35340ZZ3741	SWITCH ASSY., TROLLING CONTROL	1000314		(1)	LD, LU, XU, XCD
1	35340ZZ3741	SWITCH ASSY., TROLLING CONTROL	1010488		(1)	LD, LU, XU
1	35340ZZ3741	SWITCH ASSY., TROLLING CONTROL	1001415		(1)	XCD
2	35341ZZ3740	RUBBER, TROLLING CONTROL SWITCH PANEL	1000314		(1)	LD, LU, XU, XCD
2	35341ZZ3740	RUBBER, TROLLING CONTROL SWITCH PANEL	1010488		(1)	LD, LU, XU
2	35341ZZ3740	RUBBER, TROLLING CONTROL SWITCH PANEL	1001415		(1)	XCD
3	35342ZZ3740	BODY, TROLLING CONTROL SWITCH PANEL	1001415		(1)	XCD
3	35342ZZ3740	BODY, TROLLING CONTROL SWITCH PANEL	1000314		(1)	LD, LU, XU, XCD
3	35342ZZ3740	BODY, TROLLING CONTROL SWITCH PANEL	1010488		(1)	LD, LU, XU
4	35343ZZ3740	BRACKET, TROLLING CONTROL SWITCH PANEL	1000314		(1)	LD, LU, XU, XCD
4	35343ZZ3740	BRACKET, TROLLING CONTROL SWITCH PANEL	1010488		(1)	LD, LU, XU
4	35343ZZ3740	BRACKET, TROLLING CONTROL SWITCH PANEL	1001415		(1)	XCD
5	35344ZZ3740	HARNESS, TROLLING CONTROL SWITCH PANEL	1000314		(1)	LD, LU, XU, XCD
5	35344ZZ3740	HARNESS, TROLLING CONTROL SWITCH PANEL	1001415		(1)	XCD
5	35344ZZ3740	HARNESS, TROLLING CONTROL SWITCH PANEL	1010488		(1)	LD, LU, XU
6	35345ZZ3741	PANEL ASSY., TROLLING CONTROL	1000314		(1)	LD, LU, XU, XCD
6	35345ZZ3741	PANEL ASSY., TROLLING CONTROL	1010488		(1)	LD, LU, XU
6	35345ZZ3741	PANEL ASSY., TROLLING CONTROL	1001415		(1)	XCD
7	92101040204J	BOLT, HEX., 4X20	1010488		(2)	LD, LU, XU
7	92101040204J	BOLT, HEX., 4X20	1000314		(2)	LD, LU, XU, XCD
7	92101040204J	BOLT, HEX., 4X20	1001415		(2)	XCD
8	94001044900S	NUT, HEX., 4MM	1000314		(4)	LD, LU, XU, XCD
8	94001044900S	NUT, HEX., 4MM	1001415		(4)	XCD
8	94001044900S	NUT, HEX., 4MM	1010488		(4)	LD, LU, XU
9	94001044900S	NUT, HEX., 4MM	1000314		(4)	LD, LU, XU, XCD
9	94001044900S	NUT, HEX., 4MM	1010488		(4)	LD, LU, XU
9	94001044900S	NUT, HEX., 4MM	1001415		(4)	XCD
9	9411104500	WASHER, SPRING, 4MM	1010488		(4)	LD, LU, XU, XCD

