



SUZUKI
MARINE

Parts Book
DT 2 (77-79)

PREFACE

This parts catalogue has been arranged to include all prior modification as the final edition.
 No revised edition will be issued any more and be sure to make use of this in good keeping.
 Upon receipt of this final edition, the old catalogue should be thrown away.
 This parts catalogue covers the list of all service parts for SUZUKI DT2~DT9 (C, D, F).

A. INSTRUCTIONS FOR QUOTING THE CATALOGUE

1. DIMENSIONS

Dimensions of the parts in this catalogue are indicated in unit millimeters.

2. ABBREVIATIONS

Abbreviations used in this catalogue are as follows:

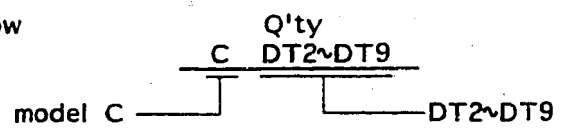
- | | |
|------------------------------|--------------------------|
| AR : As required | NT : Number of teeth |
| ASSY : Assembly | OPT : Optional |
| E.No. : Engine Number | OS : Over Size |
| F.No. : Frame Number | STD : Standard |
| d : Diameter of material | T : Thickness |
| ID : Inside diameter | US : Under size |
| OD : Outside diameter | W : Width |
| L : Length | S,L,UL,LL : Transom type |
| LH : Left hand side | |
| RH : Right hand side | |
| ~100045 : Up to F.No.-100045 | |
| 100046~ : From F.No.-100046 | |

12 x 34 x 5.6Figures in the description column show the dimensions of parts.
 | | |
 ID OD T(or W,L)

To 12340-56781 (Parts No.) : indicates that the parts number was changed to 12345-56781 and the new parts are interchangeable with the former ones but the former ones are not interchangeable with new ones.

From 12345-56781 (Parts No.) : indicates that the former and new parts are interchangeable with each other and both are usable.

The number of letter shown below Q'ty indicate the MODEL NAME as shown right side.



3. INNER PARTS OF ASSEMBLY

Parts number that have a period (.) mark in front of the part description on a text page are separately serviced parts of the assembly.

4. MODIFICATION NOTICE

A parts bulletin will be sent to you on all occasions when changes in parts occur, including interchangeable modifications between new parts and old ones.

5. NOTE

5-1. There are some different parts from those of production models among spare parts for the administrative reasons and common use of them with other models.

5-2. In respect of rubber hoses and vinyl tubes, please be sure to use them by cutting off according to the length mentioned on parts catalogue or what is actually required on the vehicle.

5-3. Note that the drawings on the illustration page are for ready reference of spare parts number, not to be used as an assembly manual.
 When assembling, use "SUZUKI SERVICE MANUAL".

6. SPECIFICATION CODE

This catalogue contains the parts for the model designed for the following spec. ;
 spec. code: DT2C (E1, E28), DT2D (E1), DT2F (E1), DT3.5F (E1, E16)
 DT4.5C (E1, E28), DT4D (E1), DT5D (E1, E3, E13),
 DT5F (E1, E3, E13)
 DT7.5C (E1, E13, E28), DT7.5D (E1, E13),
 DT7.5F (E1, E9, E13)
 DT9C (E1, E13, E28, E37), DT9D (E1, E13),
 DT9F (E1, E9, E13)

7. SERIAL FRAME NUMBER

C-10001~, D-10001~, F-10001~

FIG.1

B - 3

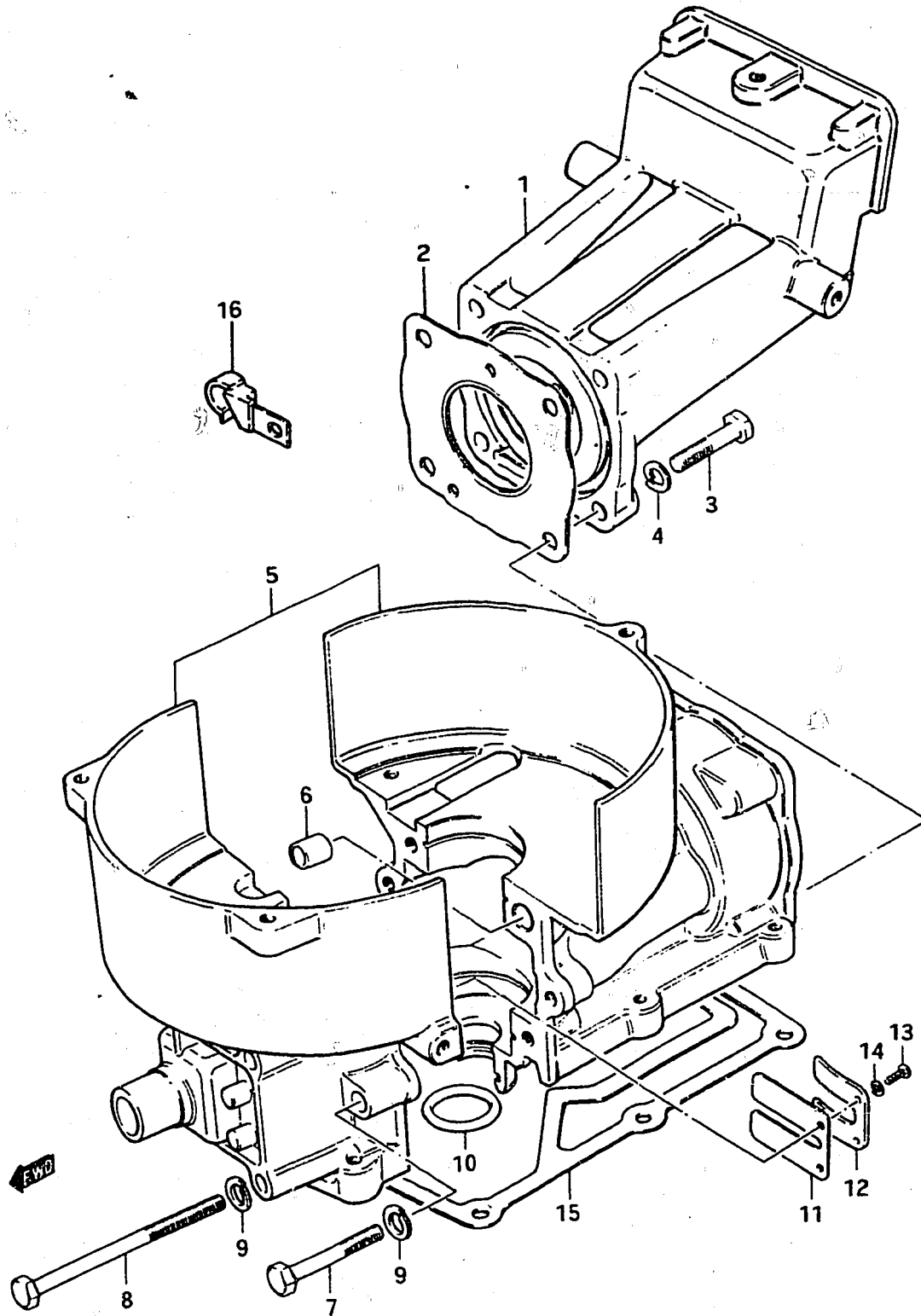


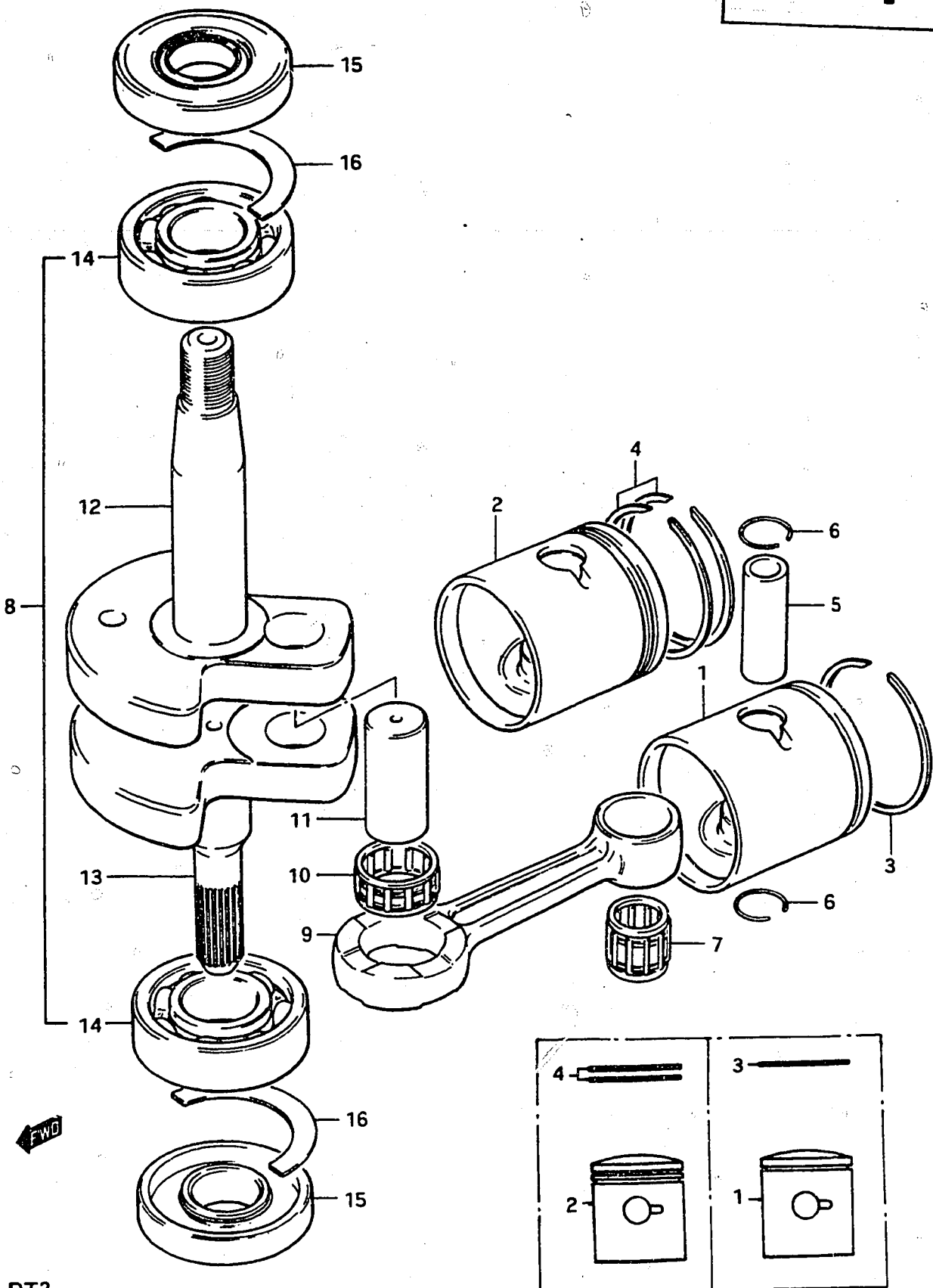
FIG.1 CYLINDER

Ref. No.	Part No.	Description	Q'ty			Remarks
			C	D	F	
1-1	11111-98400-01J	CYLINDER HEAD	1	1	-	to 11111-98401-01J
1-2	11111-98401-01J	CYLINDER HEAD	-	-	1	to 11111-98402-01J
2	11141-98400	GASKET, cylinder head	1	1	1	
3	01107-06308	BOLT	4	4	4	
4	08321-21068	LOCK WASHER	4	4	4	
5-1	11300-98840-01J	CYLINDER/CRANKCASE ASSY	1	1	-	to 11300-98841-01J
5-2	11300-98841-01J	CYLINDER/CRANKCASE ASSY	-	-	1	to 11300-98842-01J
5-3	11300-98842-01J	CYLINDER/CRANKCASE ASSY	-	-	1	to 11300-98400-01J
6	04211-09109	·DOWEL PIN	2	2	2	
7	01107-06358	·BOLT	2	2	2	
8	09100-06062	·BOLT (6x70)	4	4	4	
9	08321-21068	·LOCK WASHER	6	6	6	
10	09280-20002	O RING, cylinder	1	1	1	ID:19.4,d:3.1
11	13153-19012	VALVE, reed	1	1	1	
12	13152-19010	STOPPER, reed valve	1	1	1	
13	02112-03088	SCREW	2	2	2	
14	08321-21038	LOCK WASHER	2	2	2	
15	52113-98400	GASKET, drive shaft housing	1	1	1	
16	09403-10309	CLAMP	-	-	1	

FIG.2

B - 4

FIG.2 PISTON - CRANKSHAFT



Ref. No.	Part No.	Description	Q'ty			Remarks
			C	D	F	
1-1	12110-98401	PISTON (to 12110-98400)	1	1	-	to (12110-98402) + (12140-98400)
1-2	12110-98700	PISTON to (12110-98402-025)+(12140-98400-025)	1	1	-	OS:0.25,OPT
1-3	12110-98710	PISTON to (12110-98402-050)+(12140-46110-050)	1	1	-	OS:0.5,OPT
2-1	12110-98402	PISTON	-	-	1	
2-2	12110-98402-025	PISTON	-	-	1	OS:0.25,OPT
2-3	12110-98402-050	PISTON	-	-	1	OS:0.5,OPT
3-1	12141-35010	RING, piston	1	1	-	
3-2	12141-35010-025	RING, piston	1	1	-	OS:0.25,OPT from 12141-98700
3-3	12141-35010-050	RING, piston	1	1	-	OS:0.5,OPT from 12141-35700
4-1	12140-98400	RING SET, piston	-	-	1	
4-2	12140-98401-025	RING SET, piston	-	-	1	OS:0.25,OPT
4-3	12140-98401-050	RING SET, piston	-	-	1	OS:0.5,OPT
5	12151-02000	PIN, piston	1	1	1	
6	09381-12001	CIRCLIP, piston pin	2	2	2	
7	09263-12003	BEARING, piston pin	1	1	1	12x16x15.8
8	12200-98401	CRANKSHAFT ASSY	1	1	1	from 12200-98830
9	12161-98400	•ROD, connecting	1	1	1	
10	09263-15014	•BEARING, crank pin	1	1	1	15x21x9.8 from 09263-15005
11	12211-04000	•PIN, crank	1	1	1	
12	12221-98400	•CRANKSHAFT, upper	1	1	1	
13	12231-98400	•CRANKSHAFT, lower	1	1	1	
14	09262-17008	•BEARING	2	2	2	from 08113-62030
15	09283-17002	OIL SEAL, crankshaft	2	2	2	17x40x7
16	09390-40003	RING, thrust	2	2	2	

FIG.3

B - 5

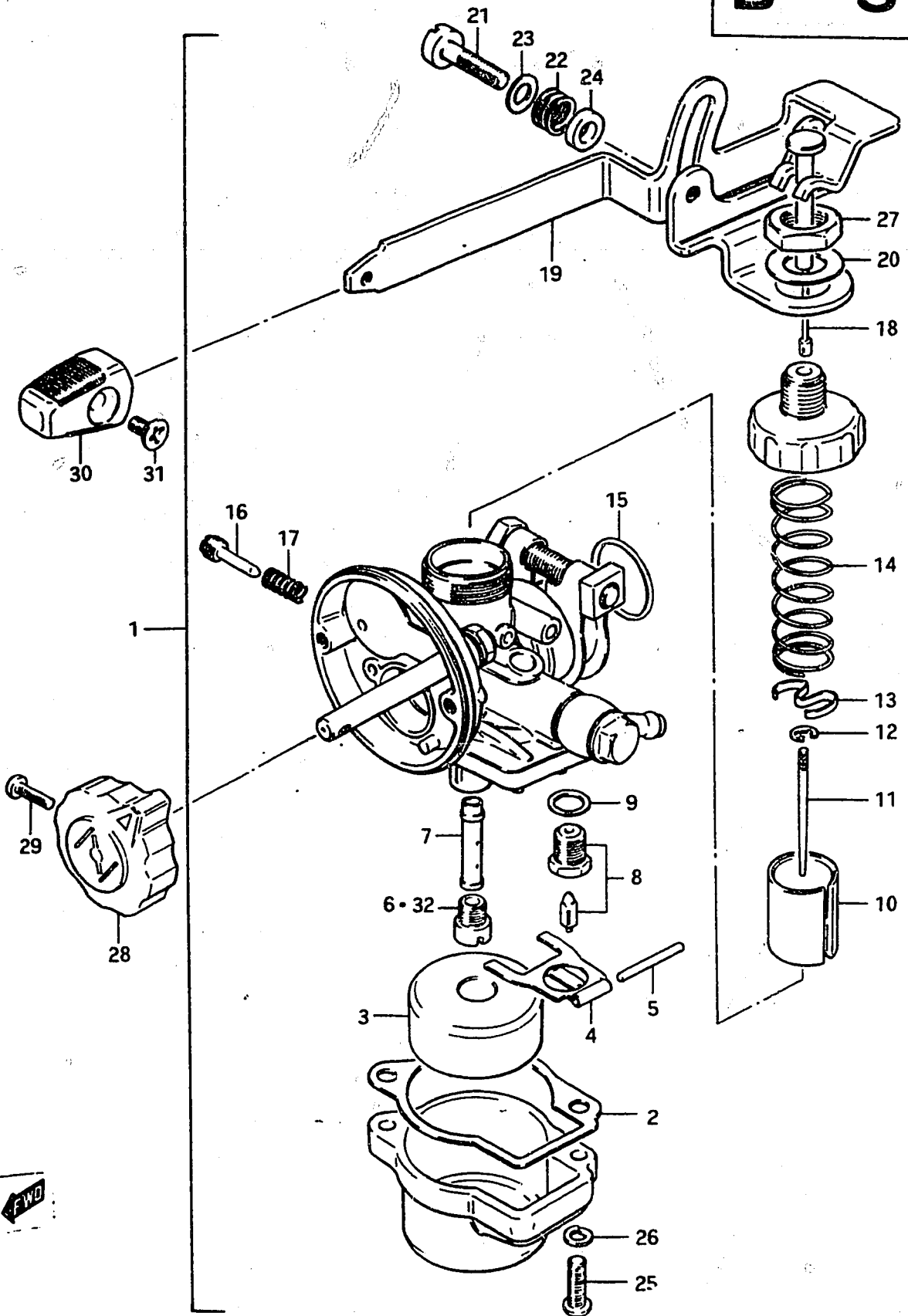


FIG.3 CARBURETOR (Up to E.No.DT2C-13855)

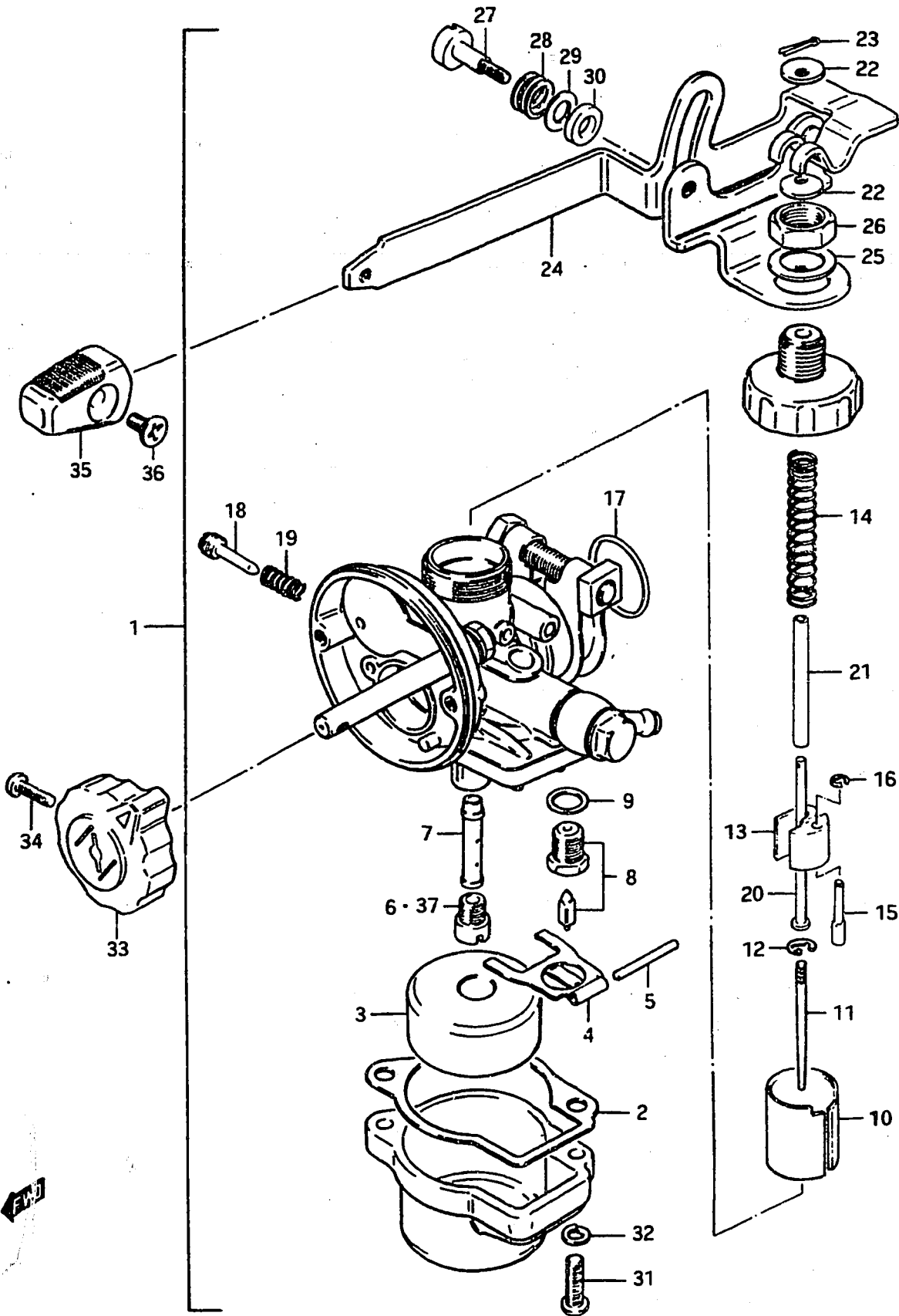
Ref. No.	Part No.	Description	Q'ty	Remarks
1	13200-98410	CARBURETOR ASSY	1	to 13200-98411
2	13251-98410	•GASKET, float chamber	1	
3	13252-98410	•FLOAT	1	
4	13253-98410	•ARM, float	1	
5	13254-98410	•PIN, float	1	
6	09491-95004	•JET, main	1	95
7	09494-00179	•NOZZLE, needle	1	
8	13370-23010	•VALVE ASSY, needle	1	VS:1.5
9	13392-01010	•GASKET, valve seat	1	
10	13551-98410	•VALVE, throttle	1	CA:1.5
11	13383-98410	•NEEDLE, jet	1	
12	13394-12110	•CLIP, needle	1	
13	13581-01010	•SEAT, throttle valve spring	1	
14	13573-35010	•SPRING, throttle valve	1	
15	13295-98410	•O RING	1	
16	13267-01010	•SCREW, throttle stop	1	
17	13268-01010	•SPRING, stop screw	1	
18	13560-98410	•CABLE, throttle	1	
19	13564-98410	•LEVER ASSY, throttle	1	
20	13589-98410	•WASHER	1	to 13589-98411
21	13433-98410	•SCREW	1	from 13433-33110
22	13426-98410	•SPRING WASHER	1	from 13426-43010
23	13615-98412	•WASHER	1	from 13615-43010
24	13432-33110	•RING, friction	1	
25	02112-04168	•SCREW	2	
26	08321-21048	•LOCK WASHER	2	
27	13567-98410	•NUT	1	to 13567-98411
28	13631-98400	KNOB, chock	1	
29	02111-03108	SCREW	1	
30	88851-64000	KNOB, throttle link	1	
31	02122-03068	SCREW	1	
32	09491-20013	JET, main	1	OPT 100

FIG.4 (B-6,7) : DT2C-13856~, DT2D, DT2F

FIG.4

B - 6

FIG.4 CARBURETOR (From E.No.DT2C-13856)

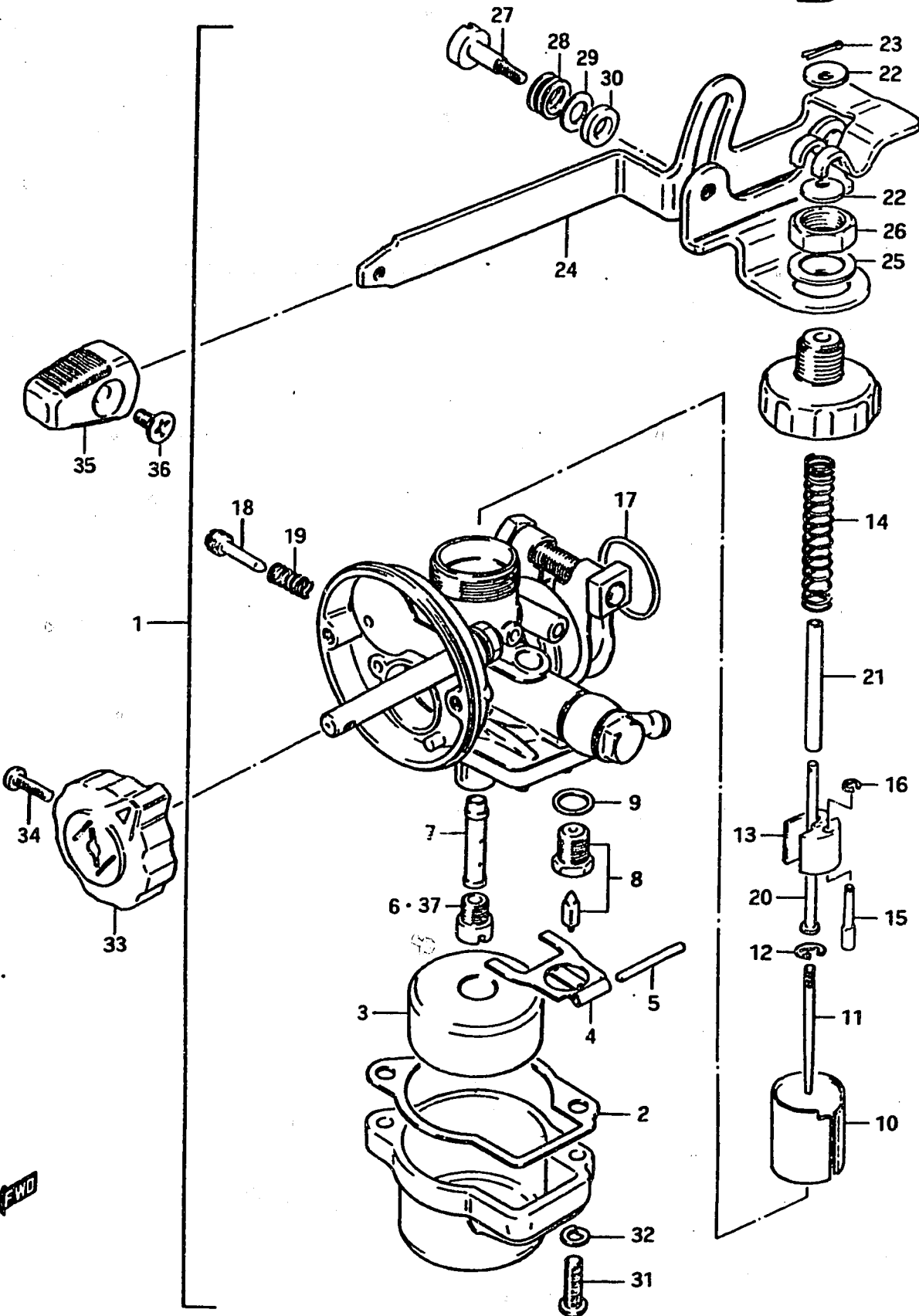


Ref. No.	Part No.	Description	Q'ty			Remarks
			C	D	F	
1	13200-98411	CARBURETOR ASSY	1	1	1	
2	13251-98410	•GASKET, float chamber	1	1	1	
3	13252-98410	•FLOAT	1	1	1	
4	13253-98410	•ARM, float	1	1	1	
5	13254-98410	•PIN, float	1	1	1	
6	09491-95004	•JET, main	1	1	1	95
7	09494-00179	•NOZZLE, needle	1	1	1	
8	13370-23010	•VALVE ASSY, needle	1	1	1	VS:1.5
9	13392-01010	•GASKET, valve seat	1	1	1	
10	13551-98411	•VALVE, throttle	1	1	1	CA:1.5
11	13383-98410	•NEEDLE, jet	1	1	1	
12	13394-12110	•CLIP, needle	1	1	1	
13	13545-98410	•SEAT, throttle valve spring	1	1	1	
14	13573-98411	•SPRING, throttle valve	1	1	1	to 13573-98410
15	13563-98410	•PIN, spring seat	1	1	1	
16	13533-98410	•E RING, spring seat pin	1	1	1	
17	13295-98410	•O RING	1	1	1	
18	13267-01010	•SCREW, throttle stop	1	1	1	
19	13268-01010	•SPRING, stop screw	1	1	1	
20	13552-98410	•ROD, throttle	1	1	1	
21	13552-98411	•PIPE, throttle rod	1	1	1	
22	13557-98410	•PLATE, throttle rod	2	2	2	
23	04111-12108	•COTTER PIN	1	1	1	

FIG.3 (B-5) : ~DT2C-13855

FIG.4

B - 7



5

FIG.4 CARBURETOR (From E.No.DT2C-13856)

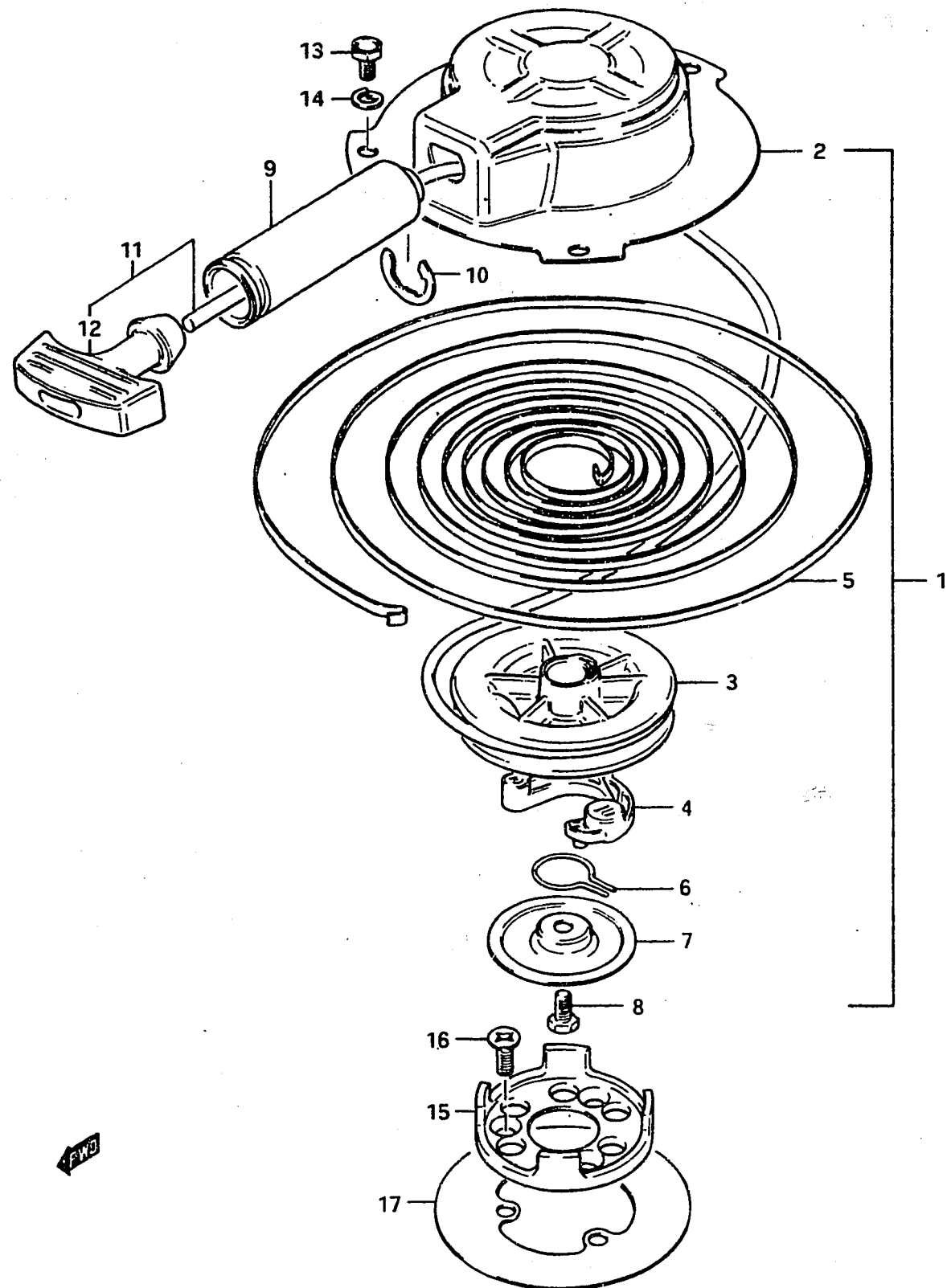
Ref. No.	Part No.	Description	Q'ty			Remarks
			C	D	F	
24	13564-98411	•LEVER ASSY, throttle	1	1	1	
25	13589-98411	•WASHER	1	1	1	
26	13567-98411	•NUT	1	1	1	to 13567-98412
27	13433-98410	•SCREW	1	1	1	
28	13426-98410	•SPRING WASHER	1	1	1	
29	13615-98412	•WASHER	1	1	1	
30	13432-33110	•RING, friction	1	1	1	
31	02112-04168	•SCREW	2	2	2	
32	08321-21048	•LOCK WASHER	2	2	2	
33	13631-98400	KNOB, chock	1	1	1	
34	02111-03108	SCREW	1	1	1	
35	88851-64000	KNOB, throttle link	1	1	1	
36	02122-03068	SCREW	1	1	1	
37	09491-20013	JET, main	1	1	1	OPT,100

FIG.3 (B-5) : ~DT2C-13855

END

FIG.5

B - 8



6

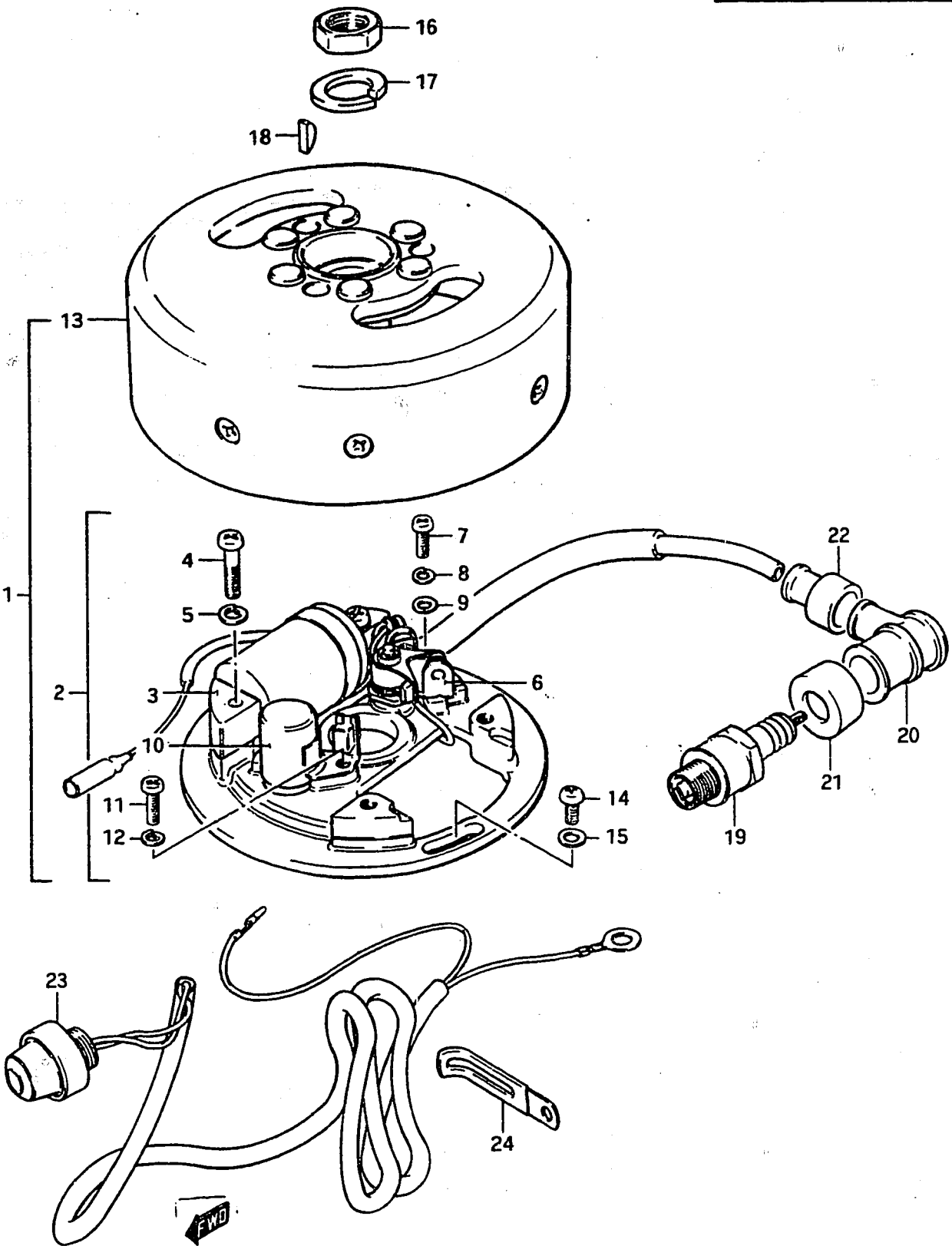
FIG.5 STARTER

Ref. No.	Part No.	Description	Q'ty			Remarks
			C	D	F	
1-1	18100-98400	STARTER, recoil	1	1	-	to 18100-98401
1-2	18100-98401	STARTER, recoil	-	1	1	DT2D-12056~
2	18111-98400	·CASE, starter	1	1	1	
3	18121-98400	·DRUM, sheave	1	1	1	
4	18131-98400	·PAWL, drive	1	1	1	
5	18142-98400	·SPRING, recoil	1	1	1	
6	18153-98410	·SPRING, pilot shaft	1	1	1	from 18145-98400
7	18151-98400	·PLATE	1	1	1	
8	18332-98400	·BOLT, pivot	1	1	1	from 18153-98400
9	18181-98400	·GUIDE, rope	1	1	1	
10	18183-98400	·E RING	1	1	1	
11-1	18170-98400	·GRIP ASSY, starter	1	1	-	to 18170-98401
11-2	18200-98401	·GRIP ASSY, starter	-	1	1	from 18170-98401
12-1	18211-98400	··GRIP	1	1	-	to 18210-98400
12-2	18210-98400	··GRIP	-	1	1	
13	01107-06108	BOLT	2	2	2	
14	08321-21068	LOCK WASHER	2	2	2	
15-1	18411-98400	CUP, starter	1	-	-	to 18411-98401
15-2	18411-98401	CUP, starter	-	1	1	
16	02122-06128	SCREW	3	3	3	
17	32725-98400	INSULATOR, magneto	1	1	1	

FIG.6

B - 9

FIG.6 ELECTRICAL

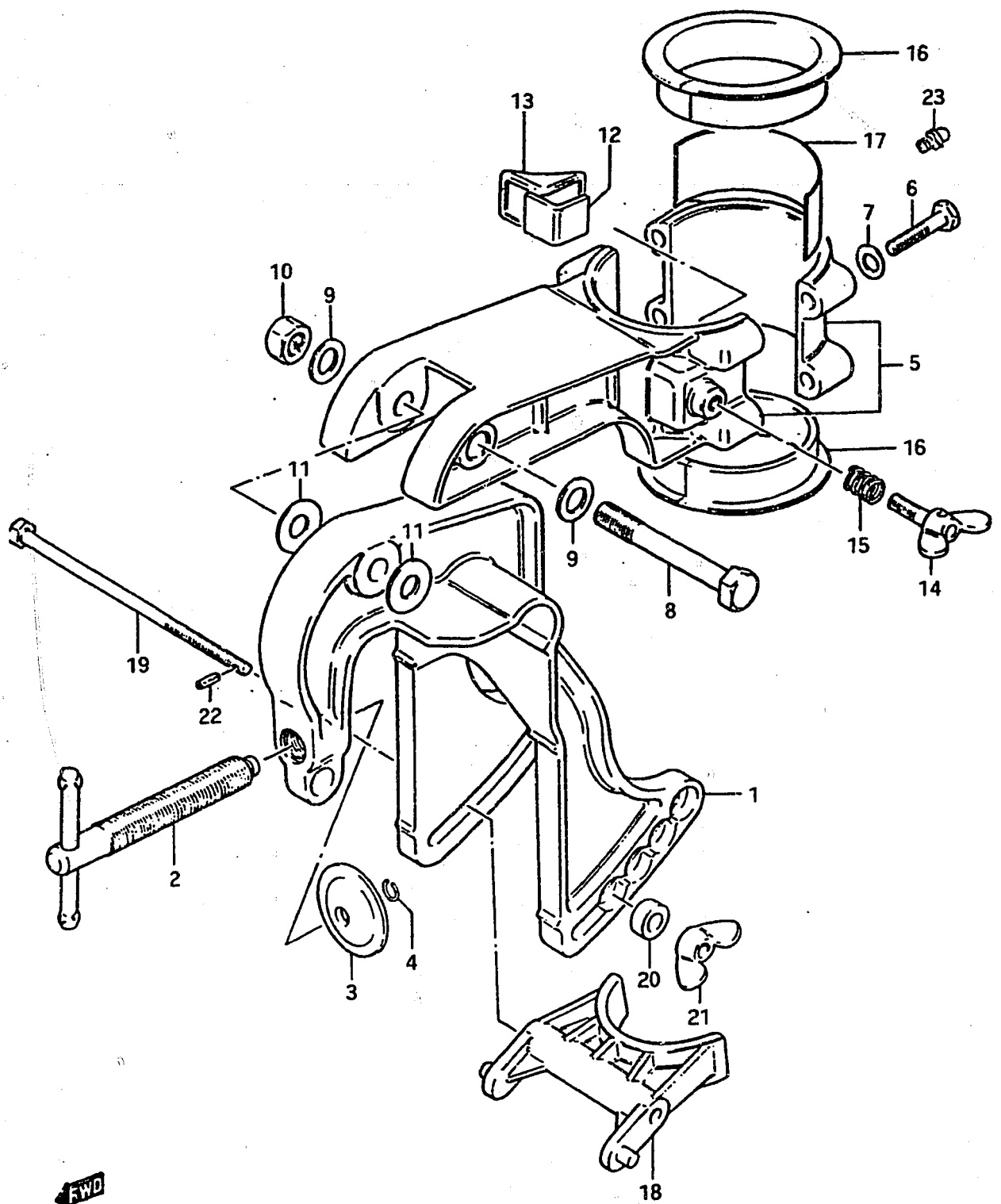


Ref. No.	Part No.	Description	Q'ty			Remarks
			C	D	F	
1	32100-98431	MAGNETO ASSY	1	1	1	from 32100-98430
2	32101-98433	-STATOR ASSY	1	1	1	from 32101-98432 to 32101-98434
3	32140-98431	..COIL, Ignition	1	1	1	from 32140-98430
4	02112-05258	..SCREW	2	2	2	
5	08321-21058	..LOCK WASHER	2	2	2	
6	32240-98034	..POINT ASSY, contact	1	1	1	from 32240-98033
7	02311-04108	..SCREW	1	1	1	
8	08321-21048	..LOCK WASHER	1	1	1	
9	08322-21048	..WASHER	1	1	1	
10	32341-98430	..CONDENSER	1	1	1	
11	02112-04108	..SCREW	1	1	1	
12	08321-21048	..LOCK WASHER	1	1	1	
13	32102-98431	-ROTOR ASSY	1	1	1	from 32102-98430
14	02112-05128	SCREW	2	2	2	
15	08322-21058	WASHER	2	2	2	
16	08310-22128	NUT	1	1	1	
17	08321-21128	LOCK WASHER	1	1	1	
18	08341-31039	KEY	1	1	1	
19-1	09482-00011	SPARK PLUG ASSY	1	-	-	B-4H,NGK
19-2	09482-00142	SPARK PLUG ASSY	-	1	-	B-4H,NGK ~DT2D-13087
19-3	09482-00113	SPARK PLUG ASSY	1	-	-	E28,BR-5HS,NGK to 09482-00143
19-4	09482-00143	SPARK PLUG ASSY	-	1	1	BR-5HS,NGK DT2D-13088~
20-1	33510-28300	CAP, spark plug	1	-	-	
20-2	33510-41111	CAP, spark plug	-	1	1	to 33510-95510
21	33541-98001	SEAL, spark plug	1	-	-	to 33541-98002
22	33542-98000	SEAL, high tension cord	1	-	-	
23-1	37800-99014	SWITCH ASSY, engine stop	1	-	-	to 37800-99015
23-2	37800-99015	SWITCH ASSY, engine stop	-	1	1	to 37800-99016
23-3	37800-93350	SWITCH ASSY, engine stop	-	-	1	from 37800-99016
24-1	09404-06414	CLAMP, stop switch read cord	1	-	-	
24-2	09404-06413	CLAMP, stop switch read cord	-	1	1	

FIG.7

B - 10

FIG.7 CLAMP BRACKET - SWIVEL BRACKET

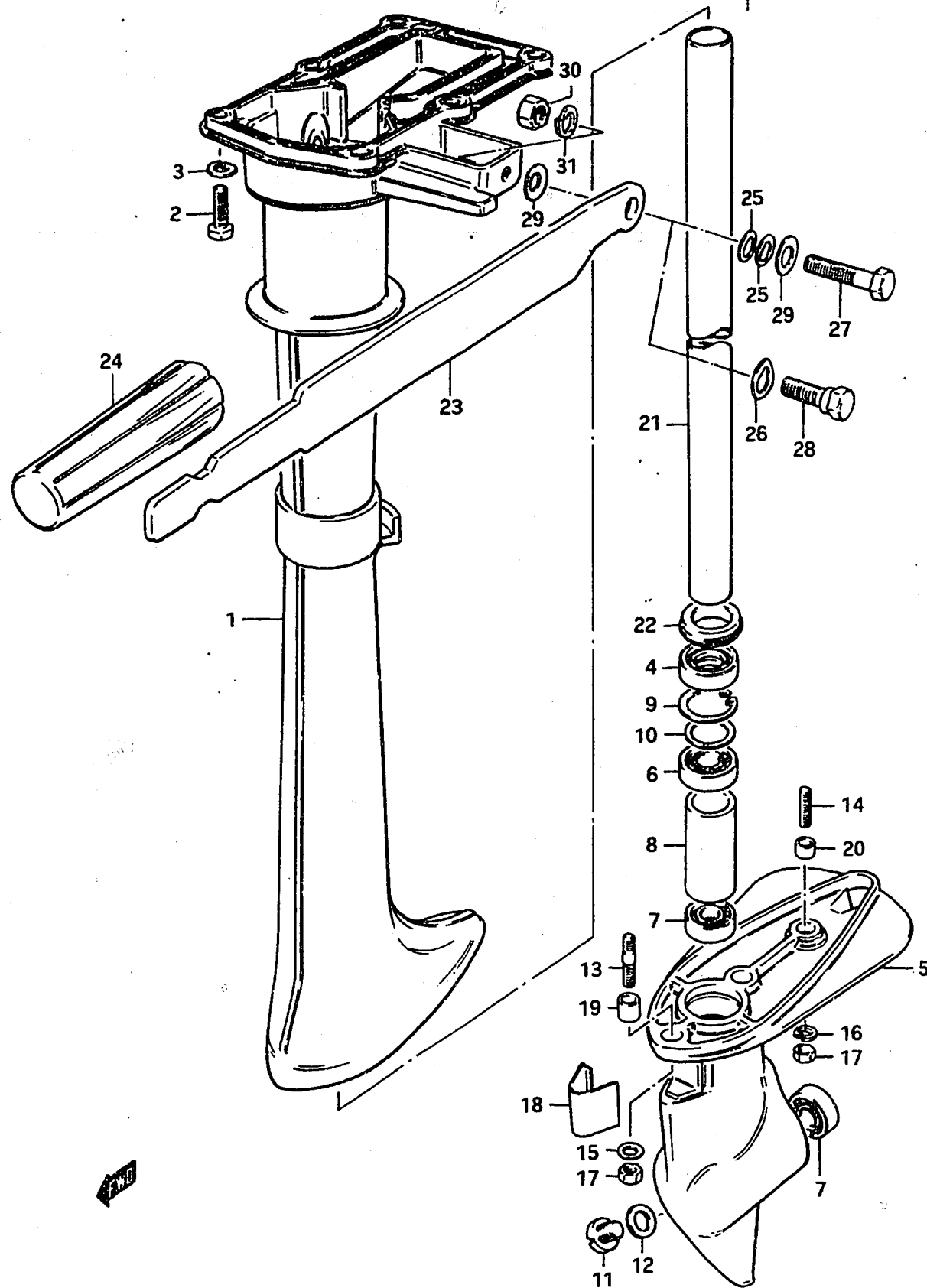


Ref. No.	Part No.	Description	Q'ty			Remarks
			C	D	F	
1	41111-98400-01J	BRACKET, clamp	1	1	1	to 41111-98401-01J
2	41210-98400	SCREW, clamp	1	1	1	
3	41213-99001	PLATE, clamp	1	1	1	
4	09380-07001	RING, clamp plate	1	1	1	
5-1	43110-98401-01J	BRACKET ASSY, swivel	1	1	1	from 43110-98400-01J to 43110-98402-01J
5-2	43110-98402-01J	BRACKET ASSY, swivel	-	-	1	to (43110-98404-01J) + (22511-99000)
5-3	43110-98404-01J	BRACKET ASSY, swivel	-	-	1	to 43110-98405-01J
6	09100-06049	BOLT, swivel (6x30)	4	4	4	
7	09160-06015	WASHER, swivel (6.5x13x1)	4	4	4	
8	09100-08131	BOLT, swivel shaft (8x12)	1	1	1	
9	09160-08015	WASHER, swivel shaft	2	2	2	8.5x16x1.2
10	09159-08018	NUT, swivel shaft	1	1	1	
11	09160-08014	WASHER, tilt friction	2	2	2	8.5x23x1.5
12	43415-98401	PLATE, steering adjuster	1	1	1	
13	43416-98401	RUBBER, steering adjuster	1	1	1	
14	09119-06038	BOLT, steering adjuster	1	1	1	
15	09440-09009	SPRING, steering adjuster	1	1	1	to 09440-09012
16-1	43711-98400	BUSHING, steering	2	2	-	to 43711-98401
16-2	43711-98401	BUSHING, steering	-	2	2	DT2D-13472~
17	43125-98400	PLATE, back up	-	1	1	
18	45411-98400	BLOCK, thrust	1	1	1	to 45411-98401
19	09101-06006	BOLT, tilt lock (6x115)	1	1	1	
20	09180-06070	SPACER, tilt lock	1	1	1	6.5x13.5x9.5
21	09144-06004	WING NUT, tilt lock	1	1	1	
22	09205-03010	PIN, tilt lock (3x6)	1	1	1	
23	22511-99000	GREASE NIPPLE	-	-	1	

FIG. 8

B - 11

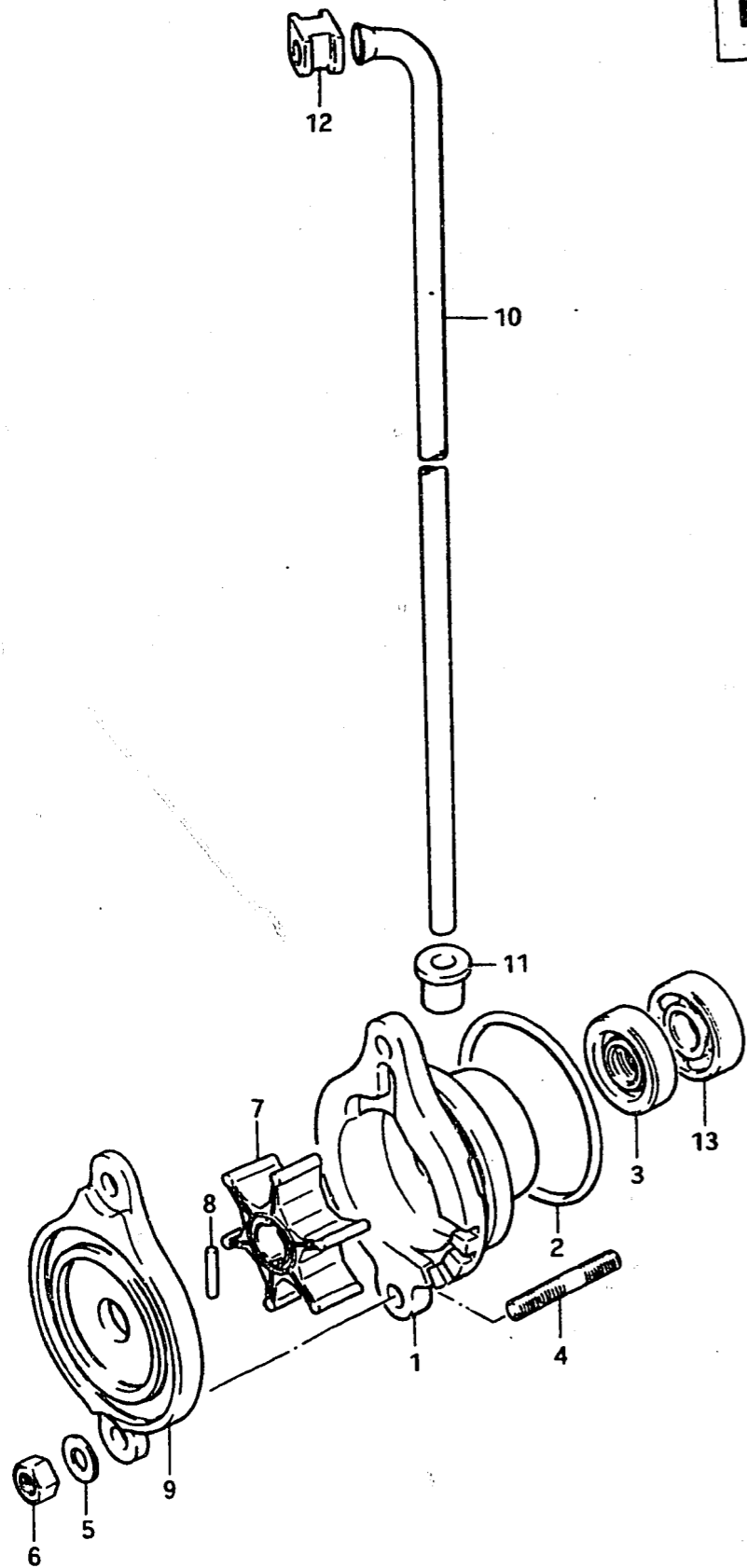
FIG. 8 DRIVE SHAFT HOUSING - GEAR CASE - HANDLE



Ref. No.	Part No.	Description	Q'ty			Remarks
			C	D	F	
1	52111-98401-01J	HOUSING, drive shaft	1	1	1	from 52111-98400-01J
2	09100-06020	BOLT (6x20)	6	6	6	
3	09162-06001	LOCK WASHER	6	6	6	
4	09289-12002	OIL SEAL, drive shaft housing	1	1	1	12x28x8
5	55100-98811-01J	CASE SET, gear	1	1	1	from 55100-98810-01J to 55110-98401-01J
6	09262-12001	•BEARING, drive shaft	1	1	1	12x28x8
7	08113-60000	•BEARING	2	2	2	
8	09180-19004	•SPACER, drive shaft bearing	1	1	1	19x25.4x1.5
9	08331-21289	CIRCLIP	1	1	1	
10-1	08221-22283	SHIM, bearing (T:0.1)	AR(0~2)			
10-2	08221-22284	SHIM, bearing (T:0.2)	AR(0~2)			
11	09248-10003	PLUG, drain	1	1	1	
12	09168-10004	GASKET, drain plug (10x17x2)	1	1	1	to 09168-10022
13	09108-06032	STUD BOLT, gear case 1	1	1	1	6x20
14	09108-06022	STUD BOLT, gear case 2	1	1	1	6x12
15	09160-06015	WASHER (6.5x16x2.3)	1	1	1	
16	09162-06001	LOCK WASHER	1	1	1	
17	09140-06004	NUT	2	2	2	
18	53131-98400-01J	COVER, gear case bolt	1	1	1	
19	09206-09001	PIN (9x10)	1	1	1	
20	09206-09007	PIN (9x5)	1	1	1	
21	57151-98400	PIPE, drive shaft seal	1	1	1	
22	09305-20001	BUSHING, seal pipe	1	1	1	
23-1	63111-98400-01J	HANDLE, tiller	1	-	-	
23-2	63111-98700-01J	HANDLE, tiller	1	-	-	OPT
		to (63111-98401-01J)+(09111-08033)+(09164-10006)				
23-3	63111-98401-01J	HANDLE, tiller	-	1	1	to 63111-98402-01J
24	63211-98400	GRIP, handle	1	1	1	
25	09164-08010	WASHER, handle pivot 1	2	-	-	
26	09164-10006	WASHER, handle pivot 1	-	1	1	
27	09100-08112	BOLT, handle pivot (8x30)	1	-	-	
28	09111-08033	BOLT, handle pivot	-	1	1	
29	09160-08014	WASHER, handle pivot 2	2	1	1	
30	09140-08003	NUT, handle pivot	1	-	-	
31	09162-08003	LOCK WASHER	1	-	-	

FIG. 9

B - 12



10

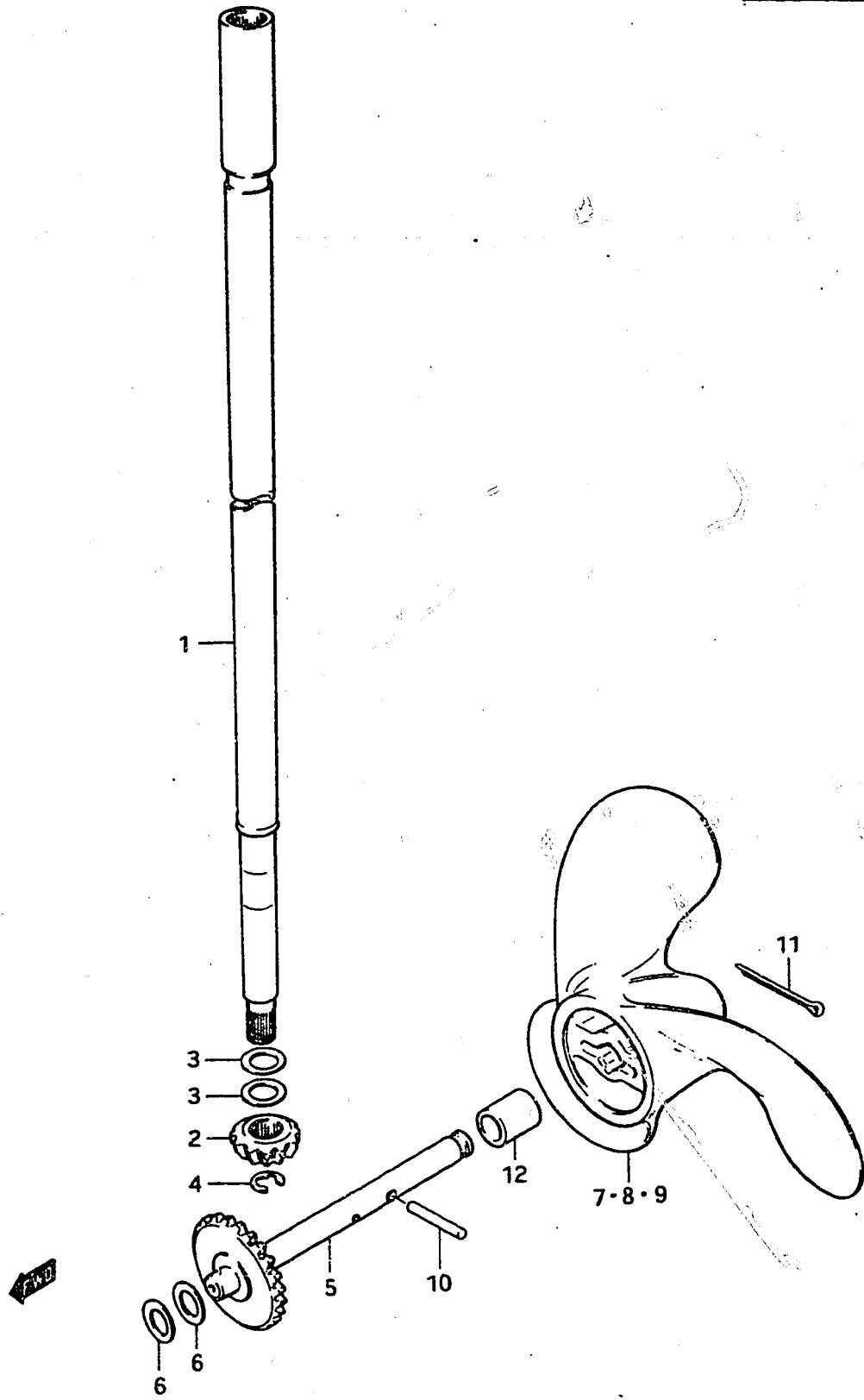
FIG.9 WATER PUMP

Ref. No.	Part No.	Description	Q'ty			Remarks
			C	D	F	
1	17411-98400-01J	CASE, water pump	1	1	1	to 17410-98400-01J
2	09280-48002	O RING, water pump case	1	1	1	ID:47.4,d:2.6
3	09289-10003	OIL SEAL, water pump case	1	1	1	10x26x8
4	09108-06032	STUD BOLT (6x12)	2	2	2	
5	09160-06015	WASHER (6.5x13x1)	2	2	2	
6	09140-06004	NUT	2	2	2	
7-1	17461-98400	IMPELLER, water pump	1	1	-	to 17461-98401
7-2	17461-98402	IMPELLER, water pump	-	-	1	from 17461-98401
8	09202-02006	PIN, pump impeller (2.9x14)	1	1	1	
9	17471-98400-01J	COVER, pump case	1	1	1	
10	17561-98400	TUBE, water (L:515)	1	1	1	
11	09305-06007	BUSHING, water tube	1	1	1	
12	09309-06005	GROMMET, water tube	1	1	1	
13	08113-60000	BEARING, propeller shaft	1	1	1	

FIG. 10

B - 13

FIG. 10 TRANSMISSION - PROPELLER



Ref. No.	Part No.	Description	Q'ty			Remarks
			C	D	F	
1-1	57110-98990	SHAFT, drive to (57110-98400) + (57311-98400)	1	-	-	
1-2	57110-98400	SHAFT, drive	-	1	1	
2-1	57311-98990	PINION	1	-	-	
2-2	57311-98400	PINION	-	1	1	
3-1	08221-10165	SHIM, pinion (T:0.5)	AR(0~2)			
3-2	08221-10164	SHIM, pinion (T:0.2)	AR(0~2)			
3-3	08221-10163	SHIM, pinion (T:0.1)	AR(0~2)			
4	08332-11068	E RING	1	1	1	
5-1	57610-98400	SHAFT, propeller (NT:23)	1	-	-	to 57610-98401
5-2	57610-98401	SHAFT, propeller (NT:23)	-	1	1	
6-1	08221-10165	SHIM, gear (T:0.5)	AR(0~2)			
6-2	08221-10164	SHIM, gear (T:0.2)	AR(0~2)			
6-3	08221-10163	SHIM, gear (T:0.1)	AR(0~2)			
7-1	58111-98400-01T	PROPELLER (3x188x135)	1	1	-	to 58111-98401-01T
7-2	58111-98401-01T	PROPELLER (3x188x135)	-	1	1	DT2D-11652~ to 58111-98402-01T
8-1	58111-98450-01T	PROPELLER (3x188x122)	1	1	-	to 58111-98451-01T
8-2	58111-98451-01T	PROPELLER (3x188x122)	-	1	1	to 58111-98452-01T
9-1	58111-98460-01T	PROPELLER (3x188x115) (STD)	1	1	-	to 58111-98462-01T
9-2	58111-98463-01T	PROPELLER (3x188x115) (STD)	-	1	1	from 58111-98462-01T to 58111-98464-01T
10	09202-04002	SHEAR PIN (4x24)	1	1	1	
11	09204-02001	COTTER PIN	1	1	1	
12	09180-10044	SPACER, propeller shaft bearing	1	1	1	10x14x17

FIG. 11

B - 14

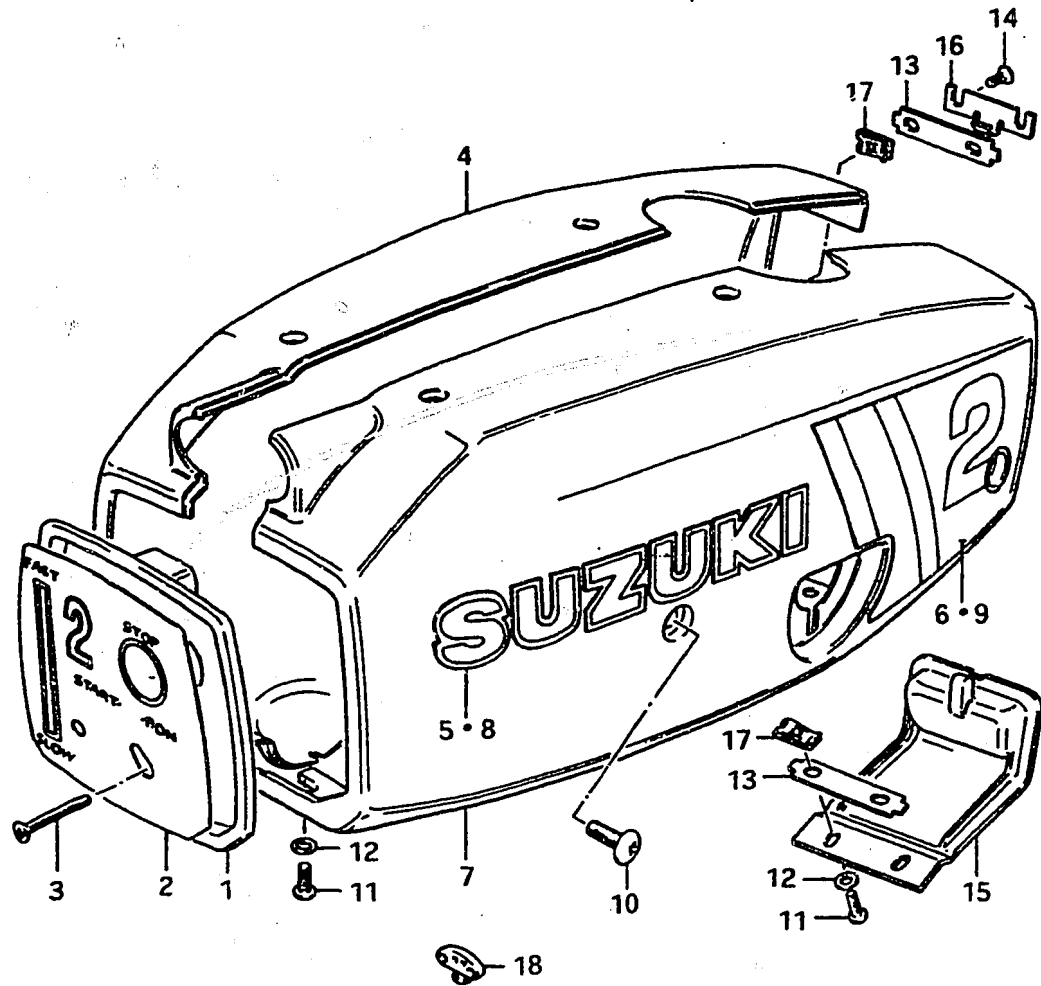


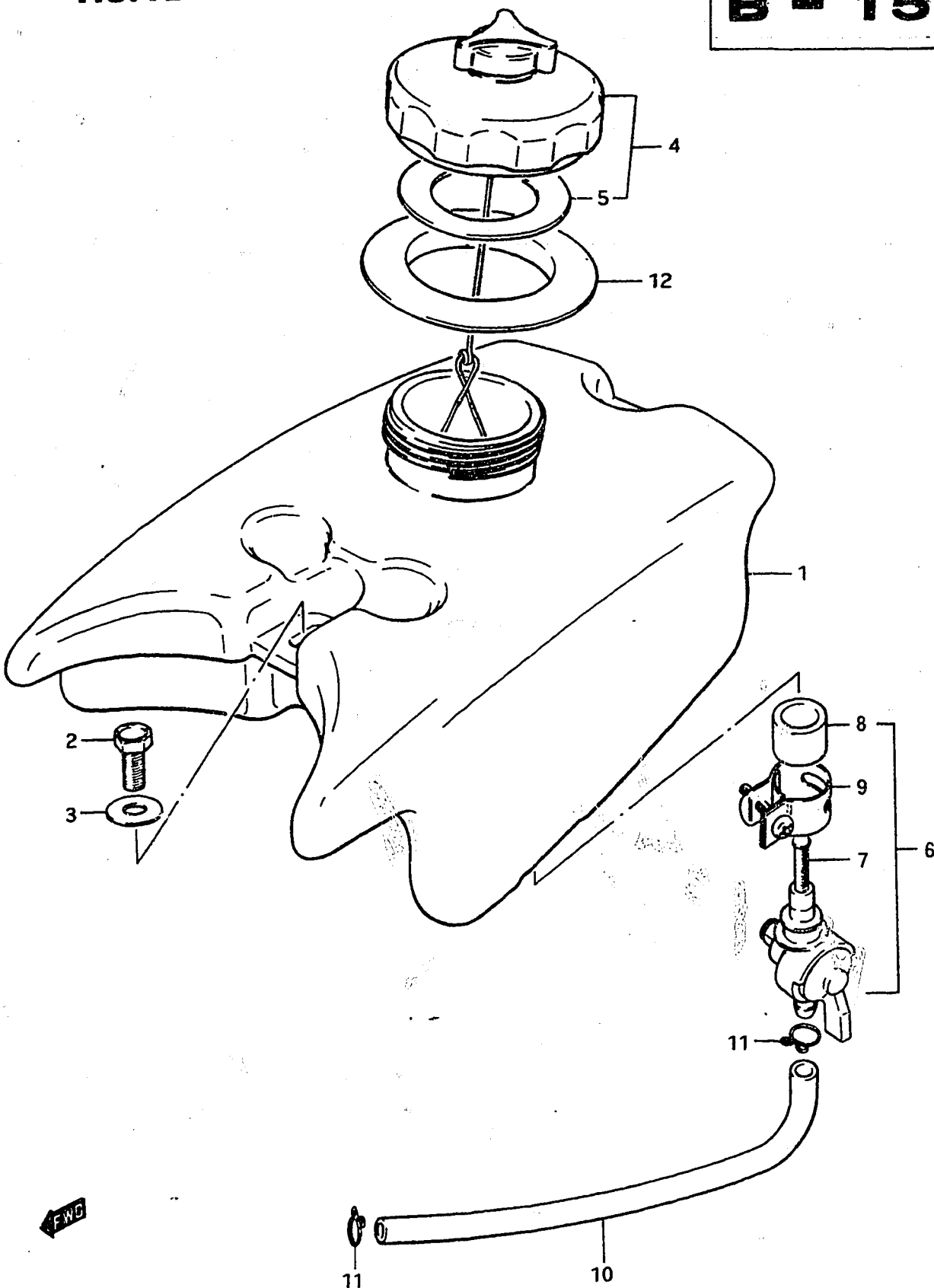
FIG. 11 ENGINE COVER

Ref. No.	Part No.	Description	Q'ty			Remarks
			C	D	F	
1	61420-98400	EMBLEM, engine cover front	1	1	1	
2	61422-98402	MARK, front emblem	1	1	1	
3	09126-04003	SCREW (4x35)	2	2	2	
4-1	61460-98812-01T	COVER SET, engine RH	1	1	1	to 61460-98840-01T
4-2	61460-98841-01T	COVER SET, engine RH	-	-	1	from 61460-98840-01T
5-1	61441-98401	·EMBLEM, "SUZUKI"	1	1	-	
5-2	61441-98410	·EMBLEM, "SUZUKI"	-	-	1	from 61441-98401
6	61445-98410	·STRIPE, side RH	1	1	1	from 61445-98400
7-1	61470-98813-01T	COVER SET, engine LH	1	1	1	from 61470-98810-01T
7-2	61470-98831-01T	COVER SET, engine LH	-	-	1	from 61470-98813-01T from 61470-98830-01T
8-1	61441-98401	·EMBLEM, "SUZUKI"	1	1	-	
8-2	61441-98410	·EMBLEM, "SUZUKI"	-	-	1	
9	61455-98410	·STRIPE, side LH	1	1	1	from 61455-98400
10	09125-06025	SCREW (5x20)	4	4	4	
11-1	02112-05128	SCREW	4	-	-	
11-2	09125-05028	SCREW (5x12)	-	4	4	
12-1	08322-11058	WASHER	4	-	-	
12-2	09160-05010	WASHER (5.5x10x0.8)	-	4	4	
13-1	61465-98401	PLATE, engine cover	4	4	4	to 61465-98402
13-2	61490-98400	PLATE, engine cover	-	-	4	
14	09126-05003	SCREW (5x12)	6	6	6	
15	61481-98401	HINGE, engine cover	1	1	1	
16	61485-98401	SPRING, engine cover hinge	1	1	1	
17-1	09148-05009	NUT	8	8	8	to 09148-05011
17-2	09148-05011	NUT	-	-	4	for 61490-98400
18	61521-98400	HOLDER, shear pin	-	1	1	

FIG.12

B - 15

FIG.12 FUEL TANK



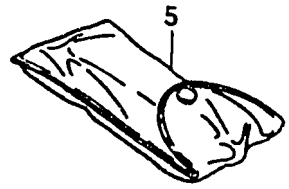
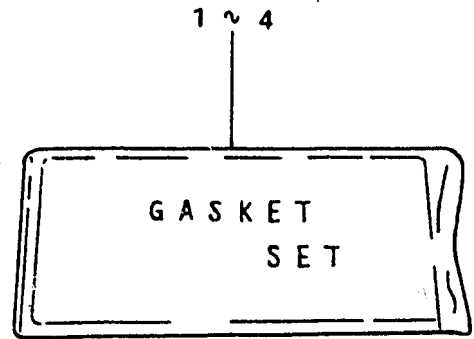
Ref. No.	Part No.	Description	Q'ty			Remarks
			C	D	F	
1-1	65111-98400	TANK, fuel	1	1	-	to 65111-98401
1-2	65111-98401	TANK, fuel	-	-	1	to 65111-98402
1-3	65111-98402	TANK, fuel	-	-	1	to 65111-98403
2	01107-06168	BOLT	2	2	2	
3	09160-06016	WASHER (6x16x1.2)	2	2	2	to 09160-06019
4-1	65510-98400	CAP ASSY, fuel tank	1	-	-	to 65510-98401
4-2	65510-98401	CAP ASSY, fuel tank	-	1	-	to 65510-98402
4-3	65510-98402	CAP ASSY, fuel tank	-	-	1	
5	09168-32001	GASKET (32x48x2.5)	1	1	1	
6	66100-98400	COCK ASSY, fuel	1	1	1	to 66100-98401
7	66152-98400	FILTER	1	1	1	
8	66142-98401	PIPE, joint	1	1	1	from 66142-98400
9	66165-98400	CLAMP	1	1	1	to 66165-98401
10-1	09343-05031	HOSE, fuel (L:220)	1	-	-	
10-2	09343-05129	HOSE, fuel (L:240)	-	1	1	
11	09401-08401	CLIP, fuel hose	2	2	2	to 09401-09402
12	65281-98400	GROMMET, fuel tank	1	1	1	

FWO

FIG.9

K - 11

FIG.9 OPT : GASKET / TOOL SET



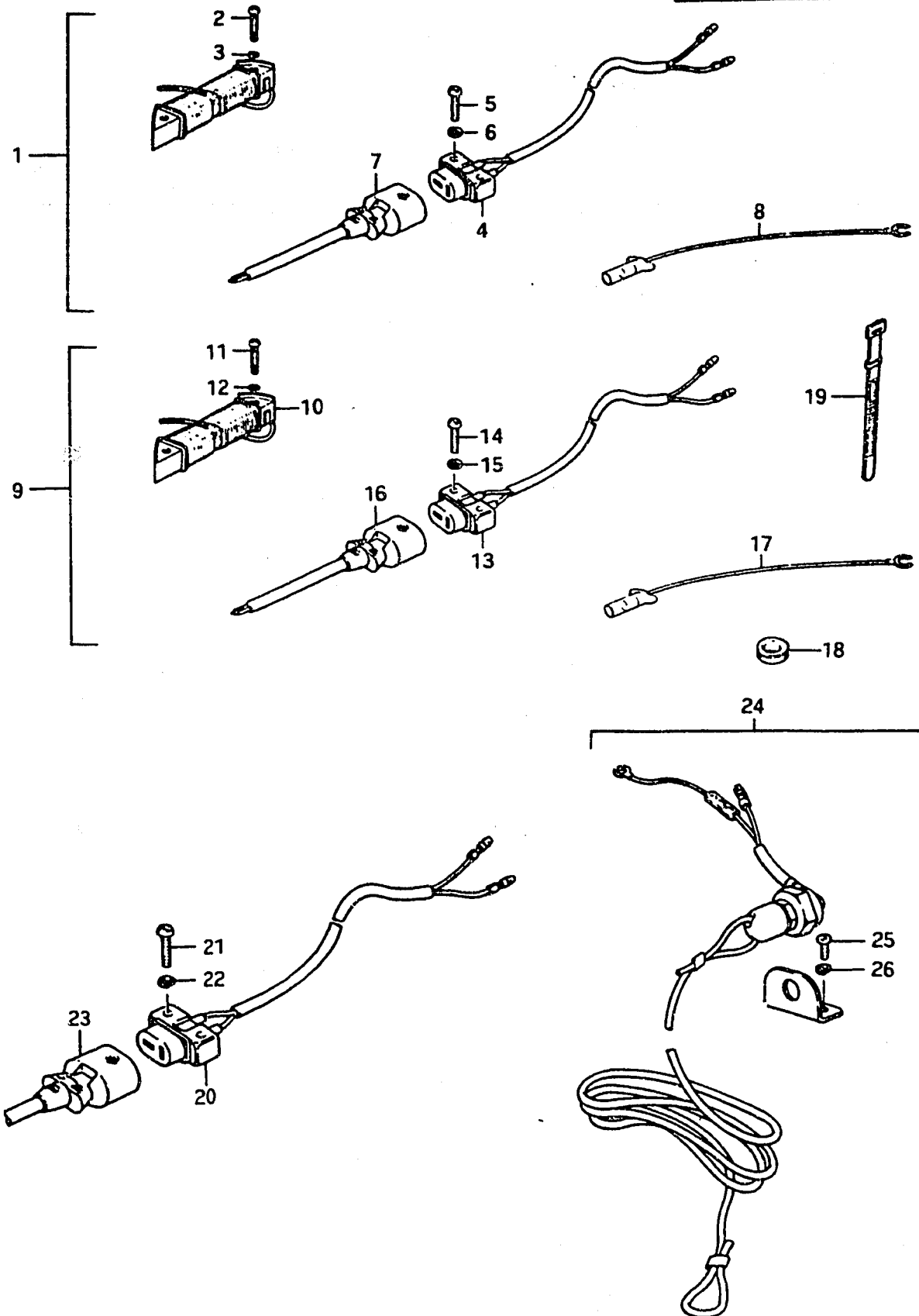
Ref. No.	Part No.	Description	Q'ty 2~9	Remarks
1	11400-98840	GASKET SET (ENGINE)	1	DT3.5
2	11400-98820	GASKET SET (ENGINE)	1	DT4,DT4.5
3-1	11400-98830	GASKET SET (ENGINE)	1	DT5D,to 11400-98831
3-2	11400-98832	GASKET SET (ENGINE)	1	DT5F to 11400-98833
3-3	11400-98833	GASKET SET (ENGINE)	1	
4	11400-96820	GASKET SET (ENGINE)	1	DT7.5,DT9 to 11400-96821
5-1	09800-00128	TOOL SET (DT3.5~DT9)	1	to 09800-00805
5-2	09800-00178	TOOL SET (DT2)	1	to 09800-00805

FIG.10

K - 12

10

FIG.10 OPT : LIGHTING COIL, EMERGENCY SWITCH



Ref. No.	Part No.	Description	Qty	Remarks
1	32200-98821	COIL SET, lighting to (32200-98300)+(39600-98300)	1	DT2 DT3.5 DT4,DT4.5
2	02112-05258	•SCREW	2	
3	08321-21058	•LOCK WASHER	2	
4	39601-96711	•SOCKET ASSY	1	
5	02112-04208	•SCREW	2	
6	08322-21048	•WASHER	2	
7	39602-99711	•PLUG ASSY, lighting	1	
8	36898-93300	•LEAD WIRE, earth	1	
9	32200-98832	COIL SET, lighting	1	DT5
10	32120-98520	•COIL, lighting	1	
11	02112-06258	•SCREW	2	
12	08321-21068	•LOCK WASHER	2	
13	39601-96711	•SOCKET ASSY	1	
14	02112-04258	•SCREW	2	
15	08322-21048	•WASHER	2	
16	39602-99711	•PLUG, lighting	1	
17	36898-93300	•LEAD WIRE, earth	1	
18	09308-10002	•GROMMET, lead wire	1	
19	09407-12402	•CLAMP, lead wire	1	
20	39601-96711	•SOCKET ASSY	1	DT7.5,DT9
21	02112-04208	•SCREW	2	
22	08322-21048	•WASHER	2	
23	39602-99711	•PLUG, lighting	1	DT2~DT9
24-1	37800-93812	SWITCH SET, emergency from 37800-93811	1	
24-2	37800-93813	SWITCH SET, emergency from 37800-93812	1	
25	09125-04011	•SCREW	2	
26	09162-04002	•LOCK WASHER	2	

FIG.14

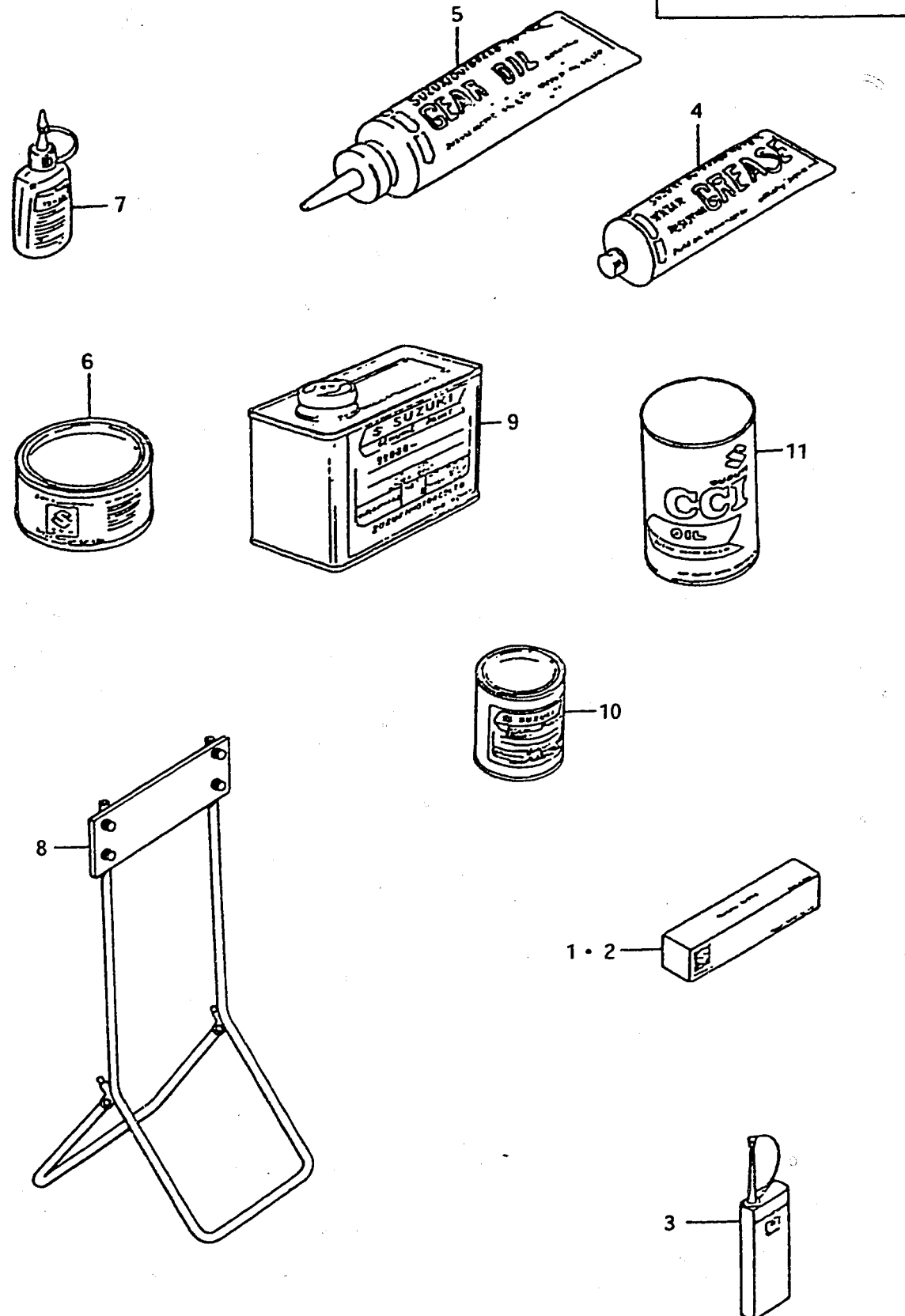


FIG.14 OPTIONAL

Ref. No.	Part No.	Description	Qty		Remarks
			2~9		
1	99000-31030	GASKET, liquid	1		for crankcase,100g
2	99000-31050	GASKET, liquid	1		for gear case,100g
3	99000-32040	CEMENT, thread lock	1		200g
4-1	99000-25160	GREASE, water resistant	1		250g
4-2	99000-25170	GREASE, water resistant	1		50g
5	99000-22540	GEAR OIL, outboard motor	1		400cc
6	99000-25010	SUZUKI SUPER GREASE A	1		450g,for crank oil seal
7	99000-32030	SUZUKI LOCK SUPER	1		50g (1303B)
8	09914-39911	HANGER, engine	1		
9-1	99000-10105-01T	PAINT (500g)	1		
9-2	99000-10205-01J	PAINT (500g)	1		
10-1	99000-10109-01T	PAINT (90g)	1		
10-2	99000-10209-01J	PAINT (90g)	1		
11-1	99000-21460	CCI OIL (1ℓx24,Mitsubishi)	1		
11-2	99000-21145	CCI OIL (1ℓx24,Shell)	1		
11-3	99000-21021	CCI OIL (4ℓx6)	1		
11-4	99000-21150	CCI OIL (200ℓ)	1		
11-5	99000-21250	CCI SUPER OIL (1ℓx24)	1		
11-6	99000-21260	CCI SUPER OIL (4ℓx6)	1		