

SUZUKI

PARTS CATALOGUE

DT40W

DT40W
DT40WR
DT40WK



OUTBOARD MOTOR

P40/P90

2017-9

1ST EDITION

PREFACE

When it becomes necessary to replace parts on SUZUKI OUTBOARD MOTORS, always use SUZUKI GENUINE PARTS which have passed a strict inspection which guarantees quality and performance.

This parts catalogue covers the list of all service parts for SUZUKI DT40W production start 2017.

INSTRUCTIONS FOR QUOTING THE CATALOGUE

1. DIMENSIONS

Dimensions of the parts in this catalogue are indicated in unit millimeters.

2. ABBREVIATIONS

Abbreviations used in this catalogue are as follows:

| | |
|-------------------------------------|---------------------------|
| AR : As required | NT : Number of teeth |
| ASSY : Assembly | OPT : Optional |
| E. NO. : Engine number | OS : Over size |
| F. NO. : Frame number | STD : Standard |
| D : Diameter of material | T : Thickness |
| ID : Inside diameter | US : Under size |
| OD : Outside diameter | W : Width |
| L : Length | W/ : With |
| LH(PORT) : Left hand side | S, L, L2 : Transom type |
| RH(STBD) : Right hand side | SUS : Stainless steel |
| ~123456 : Up to E. NO. 04005-123456 | PTT : Power trim and tilt |
| 123456~ : From E. NO. 04005-123456 | |

12 x 34 x 5.6..... Figures in the description column
 | | | show the dimensions of parts.
 ID OD T(or W, L)

→12345-56781 (Parts No.) : indicates that the parts number was changed to 12345-56781 and the new parts are interchangeable with the former ones but the former ones are not interchangeable with new ones.

←12345-56781 (Parts No.) : indicates that the former and new parts are interchangeable with each other and both are usable.

3. INNER PARTS OF ASSEMBLY

Part name with a dot (.) in front as shown in the description column indicates the component of the assembly also available individually.

4. MODIFICATION NOTICE

A parts bulletin will be sent to you on all occasions when changes in parts occur, including interchangeable modifications between new parts and old ones.

5. NOTE

5-1. There are some different parts from those of production models among spare parts for the administrative reasons and common use of them with other models.

5-2. In respect of rubber hoses and vinyl tubes, please be sure to use them by cutting off according to the length mentioned on parts catalogue or what is actually required on the vehicle.

5-3. Note that the drawings on the illustration page are for ready reference of spare parts number, not to be used as an assembly manual.
 When assembling, use "SUZUKI SERVICE MANUAL".

6. SPECIFICATION CODE

This catalogue contains the parts for the model designed for the following spec. :

spec. code : DT40W : P40, P90
 DT40WR : P40, P90
 DT40WK : P40

7. MODEL NAME AND ENGINE NUMBER

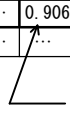
| MODEL | DESTINATION | TYPE | TRANSOM | ENGINE No. |
|--------|-------------|--------|----------|----------------|
| DT40W | P40 | 04005 | S, L, L2 | 04005-810001~ |
| DT40W | P90 | 04005 | S | 04005-810001~ |
| DT40WR | P40 | 04005 | L, L2 | 04005-810001~ |
| DT40WR | P90 | 04005 | S | 04005-810001~ |
| DT40WK | P40 | 04005K | S, L, L2 | 04005K-810001~ |

MILLIMETER → INCH CONVERSION CHART

| | 0 | 1 | 2 | 3 | 4 | 5 | 6 | 7 | 8 | 9 |
|----|-------|-------|-------|-------|-------|-------|-------|-------|-------|-------|
| 00 | .000 | .039 | .079 | .118 | .157 | .197 | .236 | .276 | .315 | .354 |
| 10 | .394 | .433 | .472 | .512 | .551 | .591 | .630 | .669 | .709 | .748 |
| 20 | .787 | .827 | .866 | .906 | .945 | .984 | 1.024 | 1.063 | 1.102 | 1.142 |
| 30 | 1.181 | 1.220 | 1.260 | 1.299 | 1.339 | 1.378 | 1.417 | 1.457 | 1.496 | 1.535 |
| 40 | 1.575 | 1.614 | 1.654 | 1.693 | 1.732 | 1.772 | 1.811 | 1.850 | 1.890 | 1.929 |
| 50 | 1.969 | 2.008 | 2.047 | 2.087 | 2.126 | 2.165 | 2.205 | 2.214 | 2.283 | 2.323 |
| 60 | 2.362 | 2.402 | 2.441 | 2.480 | 2.520 | 2.559 | 2.598 | 2.638 | 2.677 | 2.717 |
| 70 | 2.756 | 2.795 | 2.835 | 2.874 | 2.913 | 2.953 | 2.992 | 3.031 | 3.071 | 3.110 |
| 80 | 3.150 | 3.189 | 3.228 | 3.268 | 3.307 | 3.346 | 3.386 | 3.425 | 3.465 | 3.504 |
| 90 | 3.543 | 3.583 | 3.622 | 3.661 | 3.701 | 3.740 | 3.780 | 3.819 | 3.858 | 3.898 |

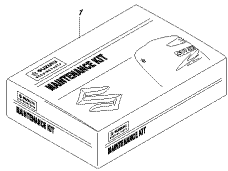
How to read

| | 0 | 1 | 2 | 3 | 4 |
|----|-----|-----|-----|-------|-----|
| 00 | ... | ... | ... | ... | ... |
| 10 | ... | ... | ... | ... | ... |
| 20 | ... | ... | ... | 0.906 | ... |
| 30 | ... | ... | ... | ... | ... |


 23 millimeters equal 0.906 inch

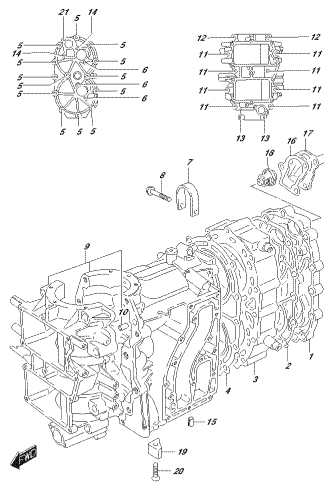
Contents are subject to change without notice or obligation.

FIG. 10AA



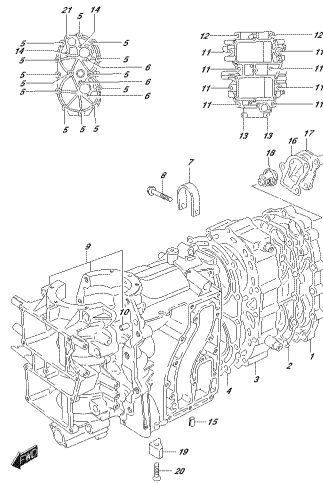
STANLEY_P&I_514_10AA
BRANDNAME KIT

FIG. 112A



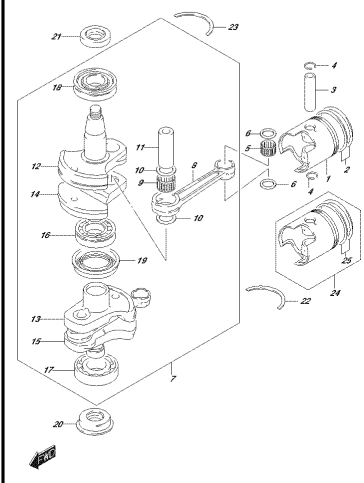
STANLEY_P&I_514_112A
STUBBER

FIG. 112B



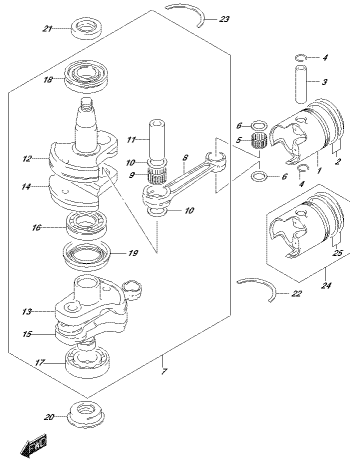
STANLEY_P&I_514_112B
STUBBER

FIG. 116A



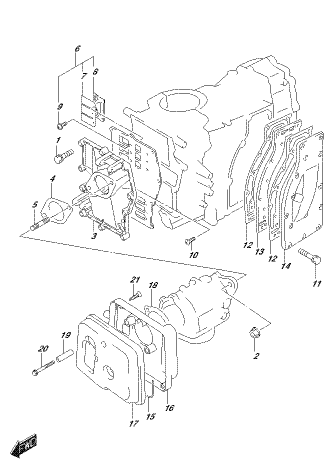
STANLEY_P&I_514_116A
CRACKSHAWT

FIG. 116B



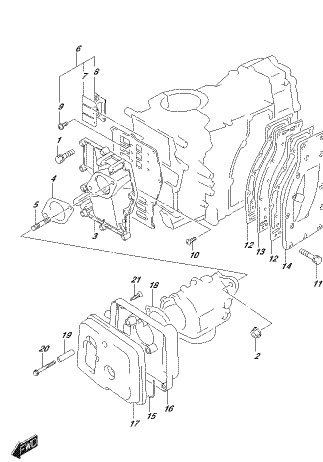
STANLEY_P&I_514_116B
CRACKSHAWT

FIG. 125A



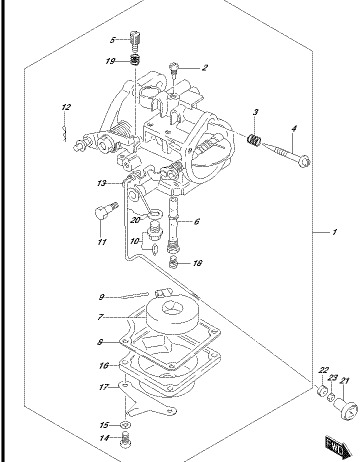
STANLEY_P&I_514_125A
FILE CASE

FIG. 125B



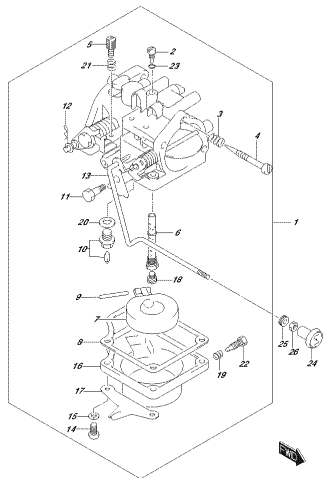
STANLEY_P&I_514_125B
FILE CASE

FIG. 128A



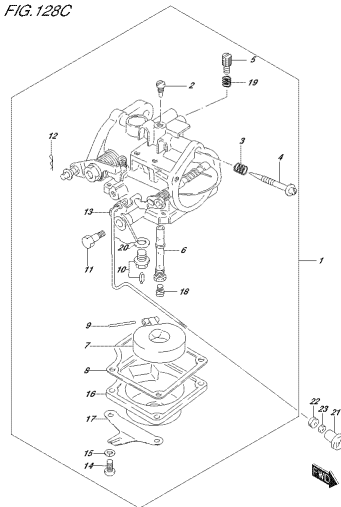
STANLEY_P&I_514_128A
CARGO RETUR

FIG. 128B



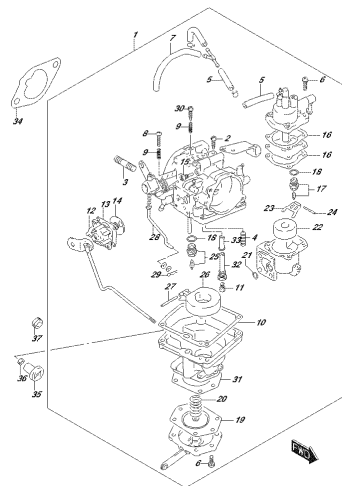
37499K_PAG_5142_128B
CHASSI-RECIPI

FIG. 128C



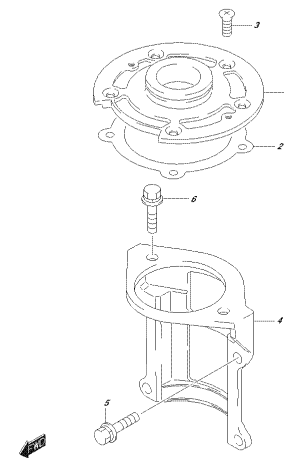
37499K_PAG_5142_128C
CHASSI-RECIPI

FIG. 128D



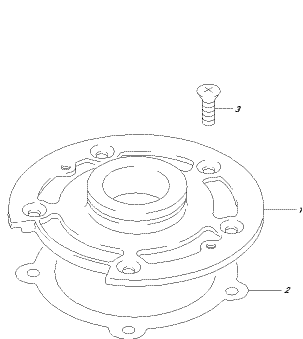
37499K_PAG_5142_128D
CHASSI-RECIPI

FIG. 130A



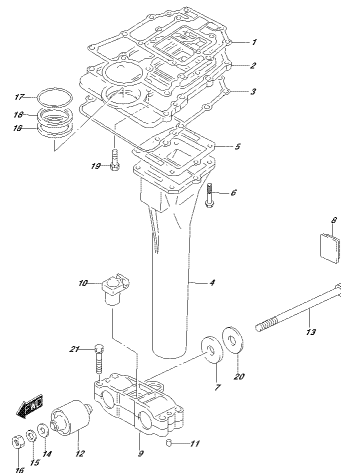
37499K_PAG_5142_130A
30L-354L-400-501G

FIG. 130B



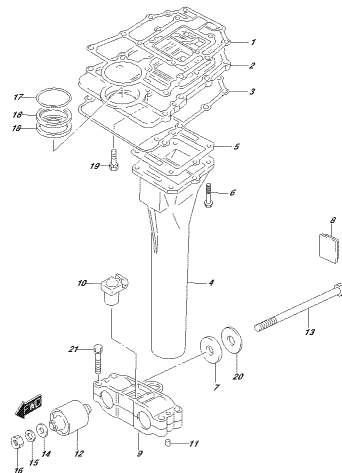
37499K_PAG_5142_130B
30L-354L-400-501G

FIG. 141A



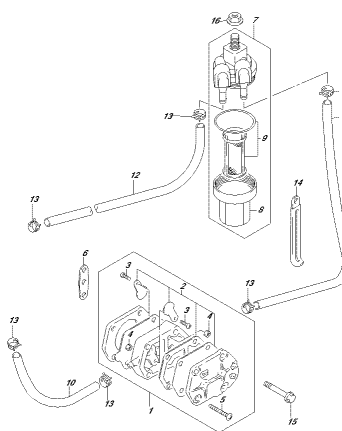
37499K_PAG_5142_141A
2-REKUSST FLÜß

FIG. 141B



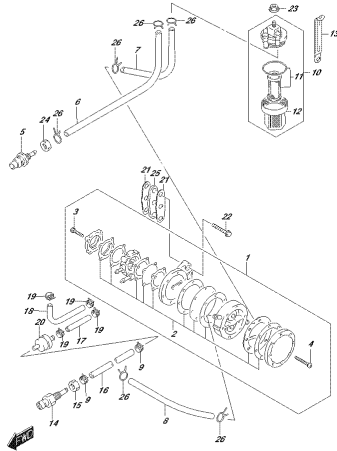
37499K_PAG_5142_141B
2-REKUSST FLÜß

FIG. 146A



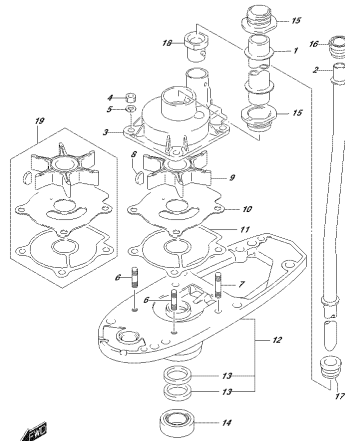
37499K_PAG_5142_146A
FLÜß-FLUMPI

FIG. 146B



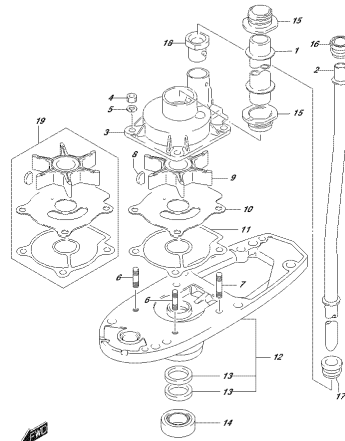
DT40K_PA014L_146B
FUEL PUMP

FIG. 160A



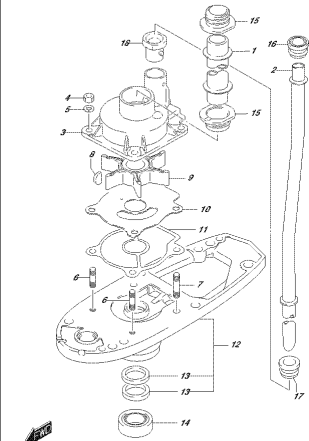
DT40K_PA014L_160A
FUEL PUMP

FIG. 160B



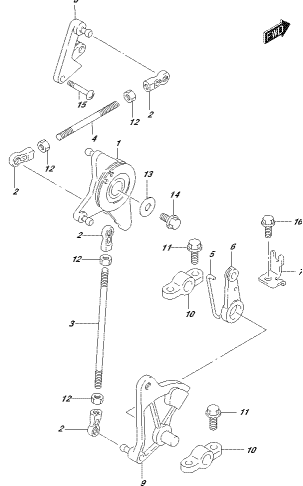
DT40K_PA014L_160B
FUEL PUMP

FIG. 160C



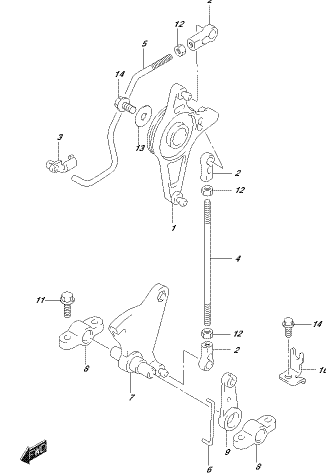
DT40K_PA014L_160C
FUEL PUMP

FIG. 166A



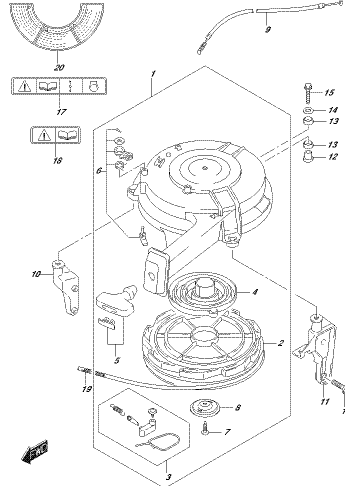
DT40K_PA014L_166A
THROTTLE CONTROL

FIG. 166B



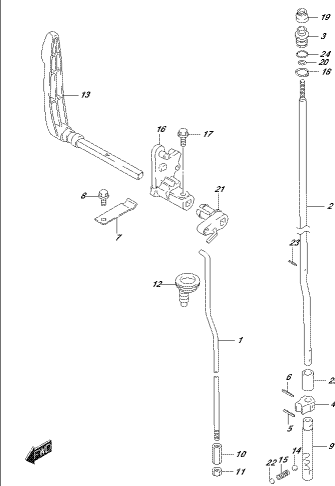
DT40K_PA014L_166B
THROTTLE CONTROL

FIG. 167A



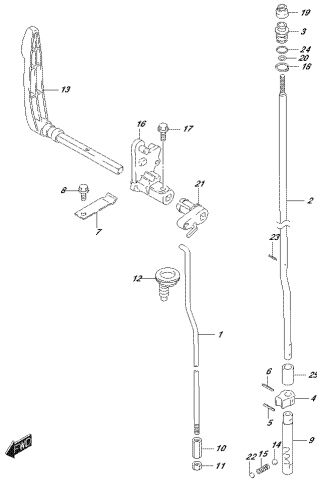
DT40K_PA014L_167A
RECOIL STARTER

FIG. 201A



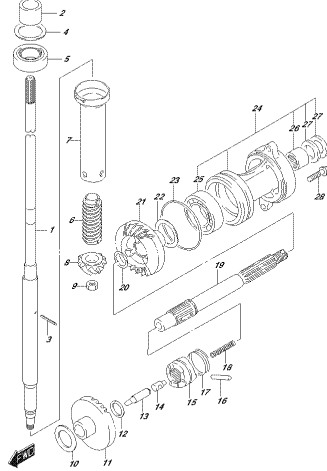
DT40K_PA014L_201A
CLUTCH

FIG.201B



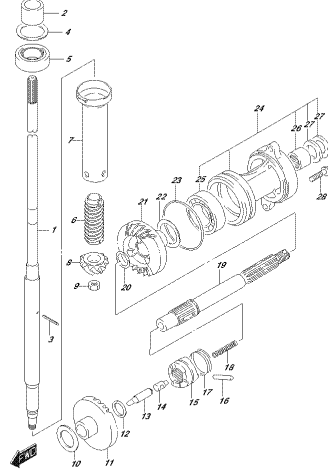
DT40K_P&I_012_201B
CLUCI7

FIG.220A



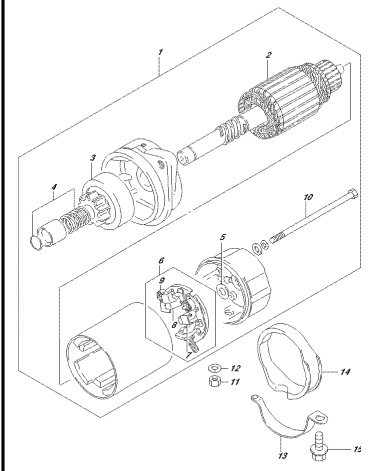
DT40K_P&I_012_220A
FRANZSCHNITZ

FIG.220B



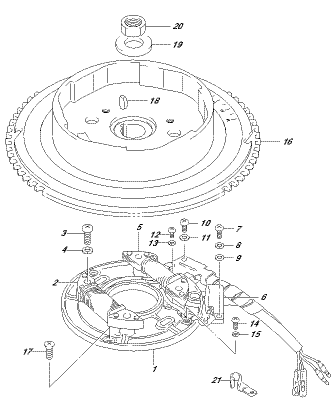
DT40K_P&I_012_220B
FRANZSCHNITZ

FIG.301A



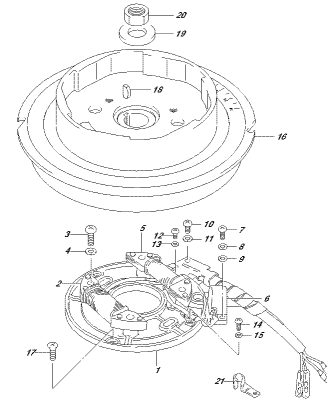
DT40K_P&I_012_301A
STROMZUSCHNITZ

FIG.303A



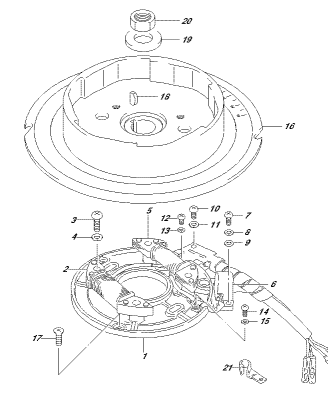
DT40K_P&I_012_303A
MAGNETO

FIG.303B



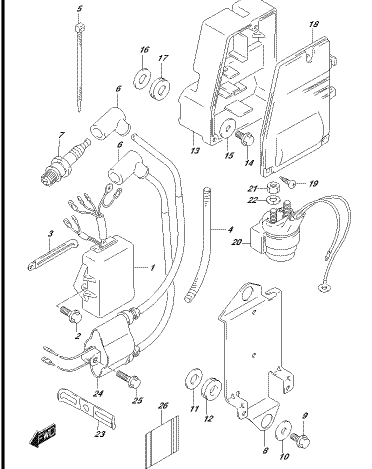
DT40K_P&I_012_303B
MAGNETO

FIG.303C



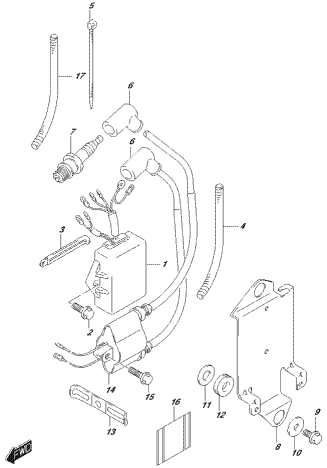
DT40K_P&I_012_303C
MAGNETO

FIG.303A



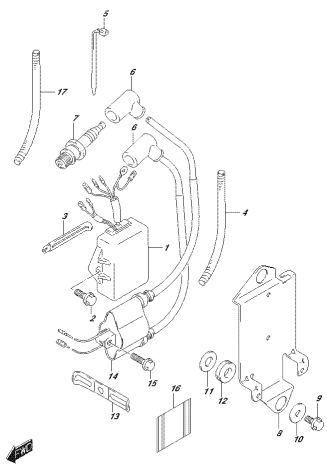
DT40K_P&I_012_303A
MAGNETO

FIG.308B



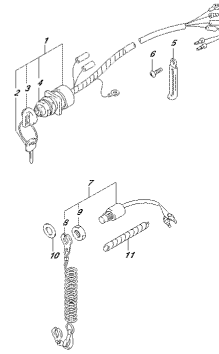
DT40M_PAL_012_0049
02/19/2011

FIG.308C



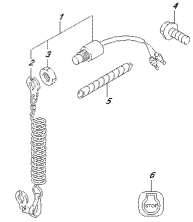
DT40M_PAL_012_0040
02/19/2011

FIG.309A



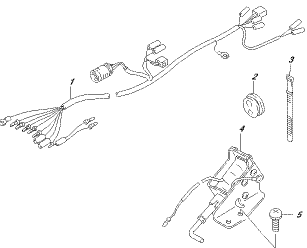
DT40M_PAL_012_0054
02/19/2011

FIG.309B



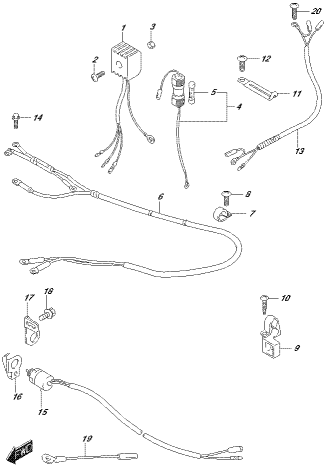
DT40M_PAL_012_0059
02/19/2011

FIG.309C



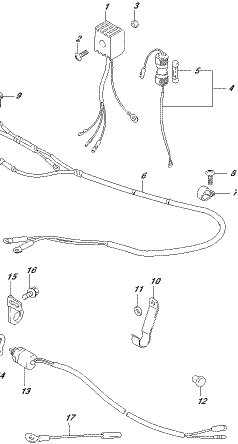
DT40M_PAL_012_0040
02/19/2011

FIG.319A



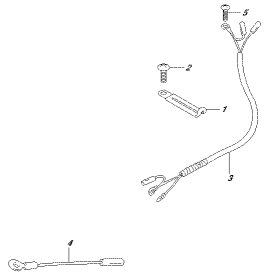
DT40M_PAL_012_0104
ELECTRICAL

FIG.319B



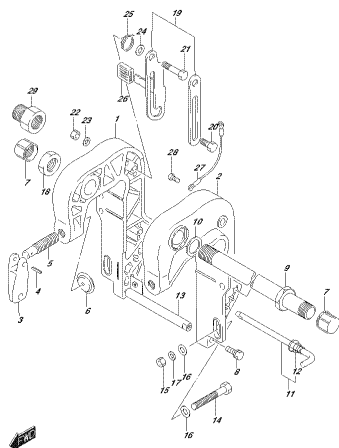
DT40M_PAL_012_0109
ELECTRICAL

FIG.319C



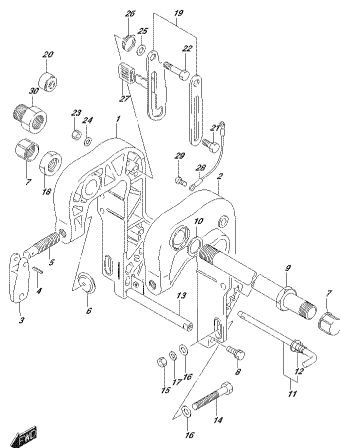
DT40M_PAL_012_0104
ELECTRICAL

FIG.335A



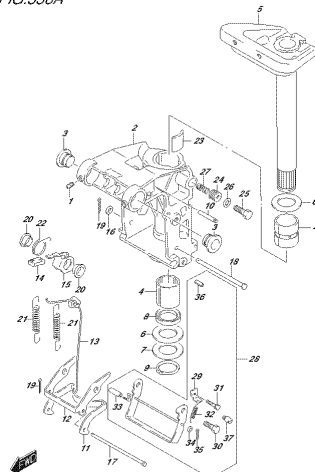
0740M_PAG_514L_0354
D.4.89P-2940067

FIG.335B



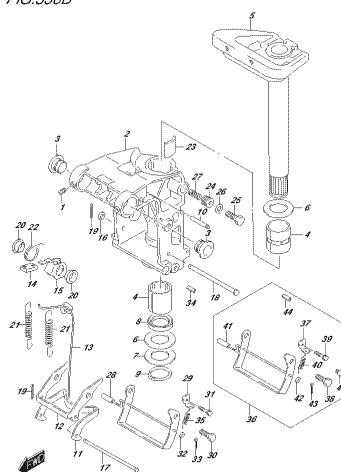
0740M_PAG_514L_0359
D.4.89P-2940067

FIG.336A



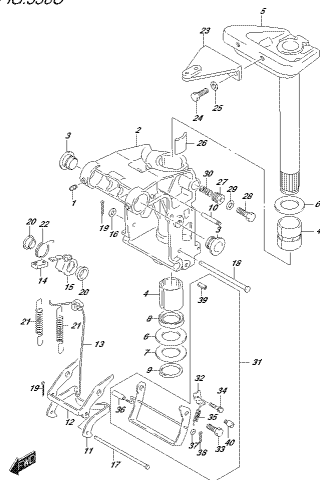
0740M_PAG_514L_0364
D.9795E-2940067

FIG.336B



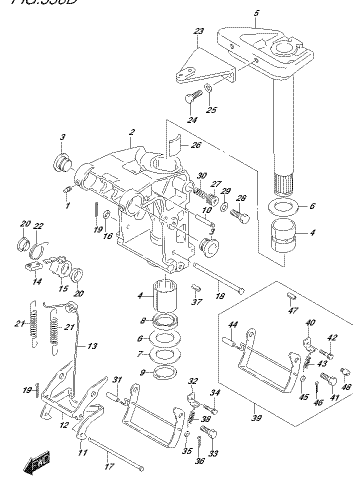
0740M_PAG_514L_0369
D.9795E-2940067

FIG.336C



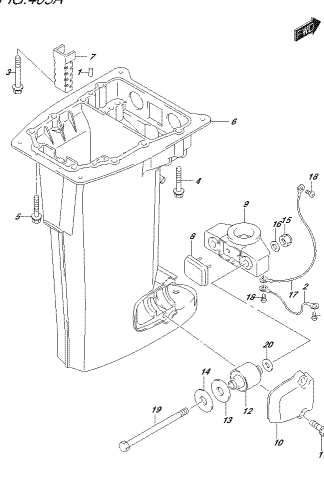
0740M_PAG_514L_036C
D.9795E-2940067

FIG.336D



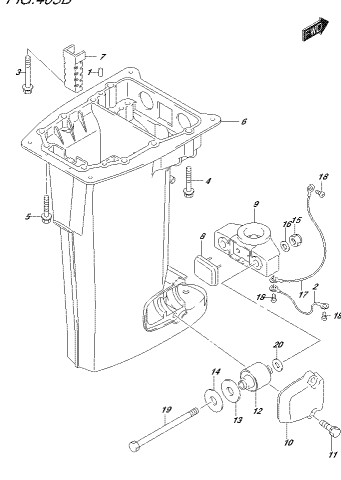
0740M_PAG_514L_036D
D.9795E-2940067

FIG.405A



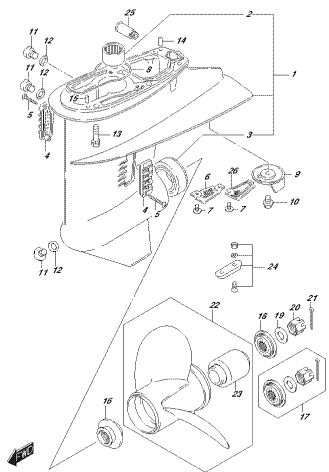
0740M_PAG_514L_405A
D.9795E-2940067

FIG.405B



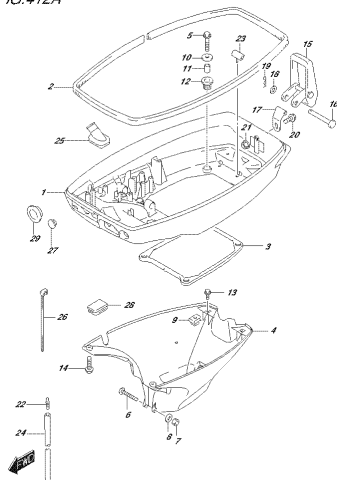
0740M_PAG_514L_405B
D.9795E-2940067

FIG.407A



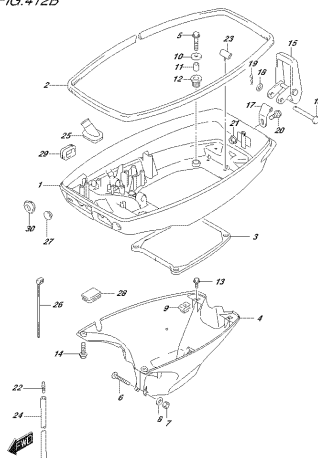
0749K_PAL516L_407A
LOWER COVER

FIG.412A



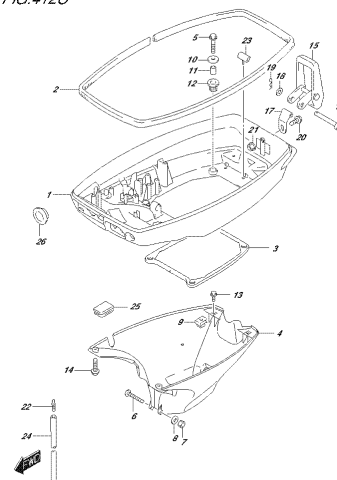
0749K_PAL516L_412A
LOWER COVER

FIG.412B



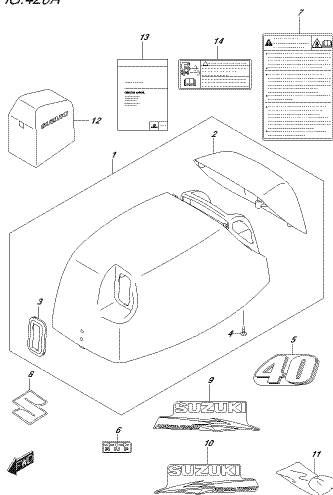
0749K_PAL516L_412B
LOWER COVER

FIG.412C



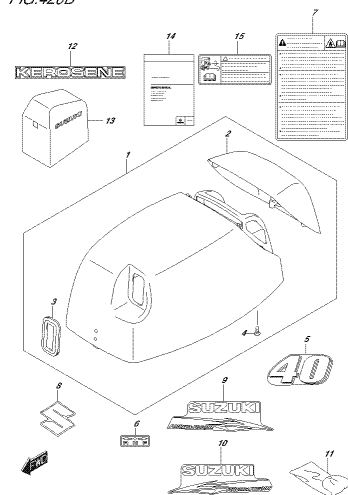
0749K_PAL516L_412C
LOWER COVER

FIG.420A



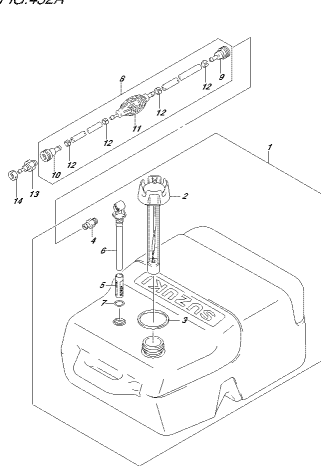
0749K_PAL516L_420A
ENGINE COVER

FIG.420B



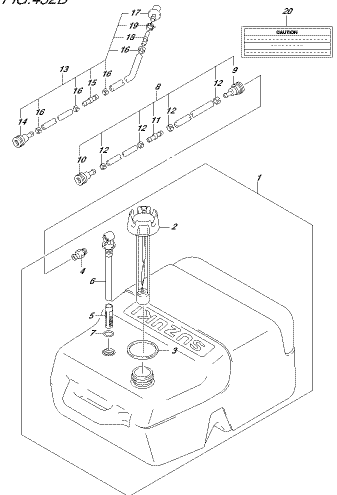
0749K_PAL516L_420B
ENGINE COVER

FIG.432A



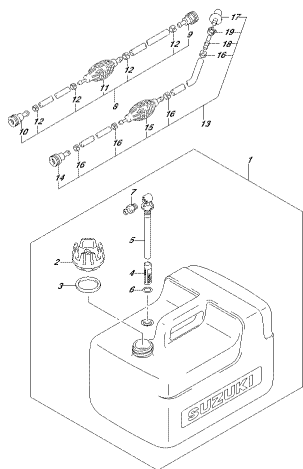
0749K_PAL516L_432A
FUEL TANK

FIG.432B



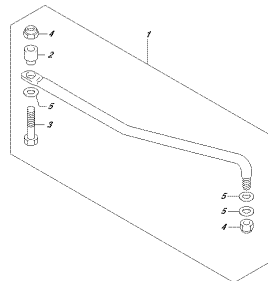
0749K_PAL516L_432B
FUEL TANK

FIG.432C



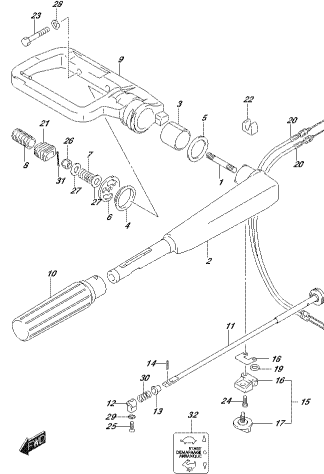
DT40M_PAG_516_432C
FILE: 500V

FIG.442A



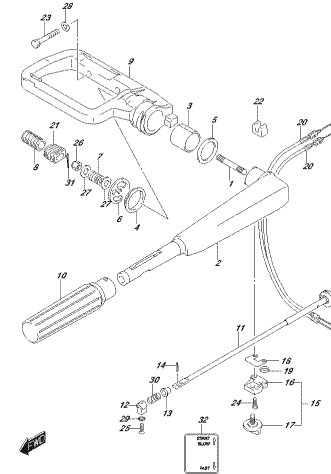
DT40M_PAG_516_442A
ORAGLIONE

FIG.444A



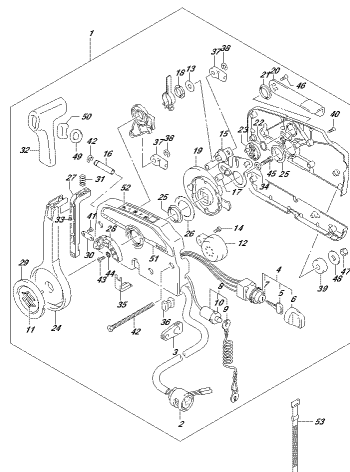
DT40M_PAG_516_444A
FILE:514633.E

FIG.444B



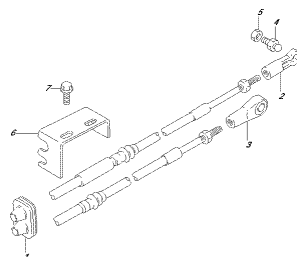
DT40M_PAG_516_444B
FILE:514633.E

FIG.450A



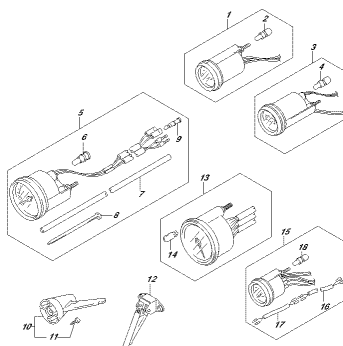
DT40M_PAG_516_450A
REMOTE CONTROL

FIG.454A



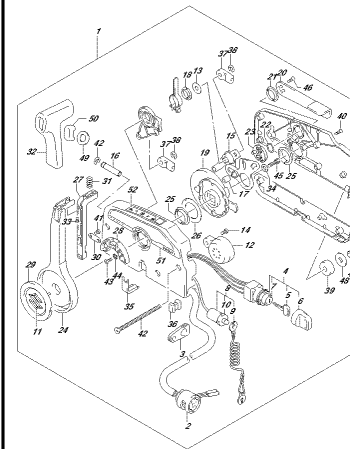
DT40M_PAG_516_454A
REMOTE CONTROL HANDLE

FIG.501A



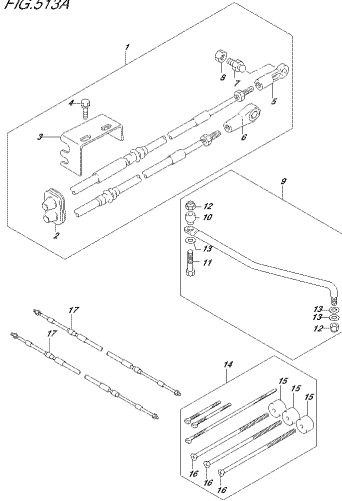
DT40M_PAG_516_501A
OPTI-RETRR

FIG.508A



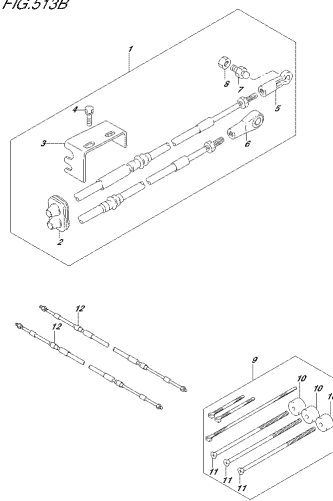
DT40M_PAG_516_508A
OPTI-REMOTE CONTROL

FIG.513A



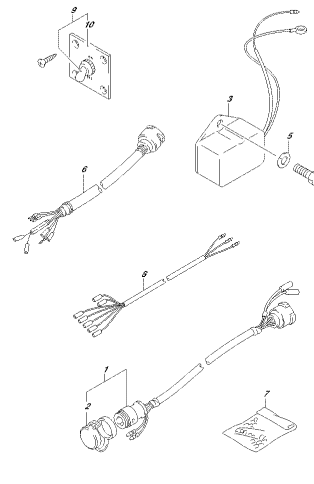
DT40M_PA016L_S13A
OPT. SEMI-AUT. CONTROL PARTS

FIG.513B



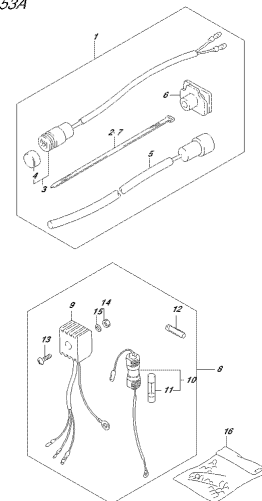
DT40M_PA016L_S13B
OPT. SEMI-AUT. CONTROL PARTS

FIG.550A



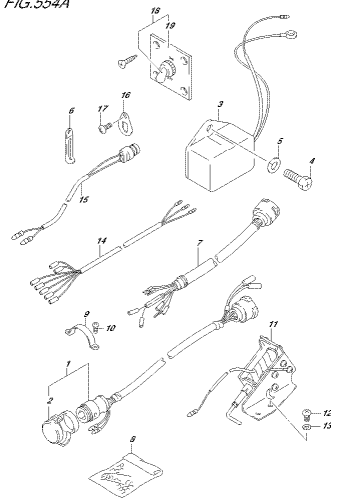
DT40M_PA016L_S50A
OPT. ELECTRICAL

FIG.553A



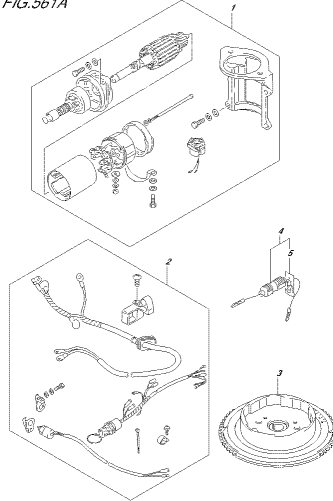
DT40M_PA016L_S53A
OPT. ELECTRICAL, MANUAL STARTER

FIG.554A



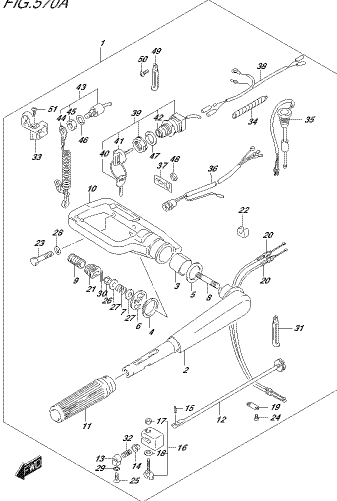
DT40M_PA016L_S54A
OPT. ELECTRICAL, (ELECTRIC STARTER)

FIG.561A



DT40M_PA016L_S61A
OPT. STARTING MOTOR, MANUAL STARTER

FIG.570A



DT40M_PA016L_S70A
OPT. FILLER HANDLE

FIG.10AA

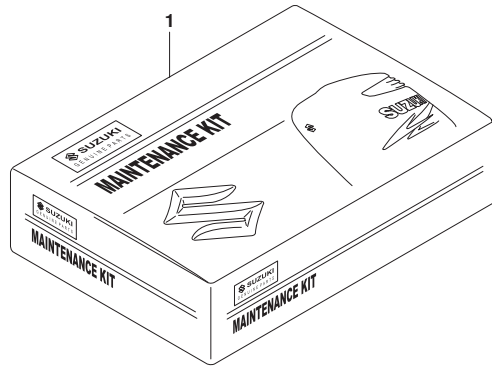


FIG.10AA (1-B-2) MAINTENANCE KIT (DT40W)(DT40WR)

| REF NO. | PART NO. | DESCRIPTION | Q'TY | REMARKS |
|---------|-------------|---------------------------|------|-----------------|
| 1 | 17400-92810 | MAINTENANCE KIT | 1 | |
| 2 | 17400-94412 | .KIT, WATER PUMP REPAIR | 1 | NOT ILLUSTRATED |
| 3 | 17685-94410 | .GASKET, THERMOSTAT COVER | 1 | NOT ILLUSTRATED |
| 4 | 09168-10022 | .GASKET (10X17X1.5) | 2 | NOT ILLUSTRATED |
| 5 | 09204-03003 | .COTTER PIN (D:3.6,L:25) | 1 | NOT ILLUSTRATED |
| 6 | 09482-00370 | .SPARK PLUG (BR8HS-10) | 2 | NOT ILLUSTRATED |

DT40W P40
 DT40W P90
 DT40WR P40
 DT40WR P90

FIG.112A

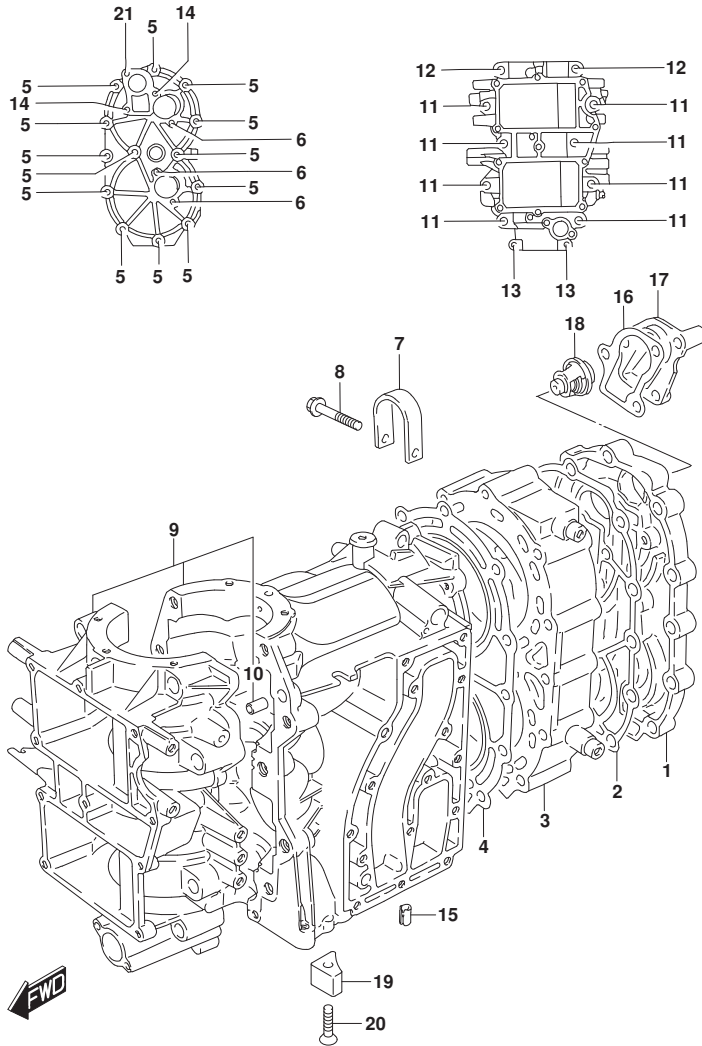


FIG.112A (1-B-3) CYLINDER (DT40W)(DT40WR)

| REF NO. | PART NO. | DESCRIPTION | Q'TY | REMARKS |
|---------|-------------|-----------------------------|------|---------|
| 1 | 11161-92L10 | COVER, CYLINDER HEAD | 1 | |
| 2 | 11162-92L00 | GASKET, CYLINDER HEAD COVER | 1 | |
| 3 | 11111-92L20 | HEAD, CYLINDER | 1 | |
| 4 | 11141-94450 | GASKET, CYLINDER HEAD | 1 | |
| 5 | 01560-08757 | BOLT | 13 | |
| 6 | 01550-0630C | BOLT | 3 | |
| 7 | 11291-94402 | HOOK, ENGINE | 1 | |
| 8 | 01550-08357 | BOLT | 1 | |
| 9 | 11300-92L20 | CYLINDER ASSY | 1 | |
| 10 | 04211-09109 | .PIN | 2 | |
| 11 | 01550-10557 | .BOLT | 8 | |
| 12 | 01560-10657 | .BOLT | 2 | |
| 13 | 01550-06407 | .BOLT | 2 | |
| 14 | 01560-06457 | BOLT | 2 | |
| 15 | 09205-06011 | SPRING PIN (6X12) | 1 | |
| 16 | 17685-94410 | GASKET, THERMOSTAT COVER | 1 | |
| 17 | 17681-92L10 | COVER, THERMOSTAT | 1 | |
| 18 | 17670-93962 | THERMOSTAT (50DEG) | 1 | |
| 19 | 11281-94400 | PROTECTION, ANODE | 1 | |
| 20 | 09126-06005 | SCREW (6X30) | 1 | |
| 21 | 01550-0630C | BOLT | 1 | |

DT40W P40
 DT40W P90
 DT40WR P40
 DT40WR P90

FIG.116A

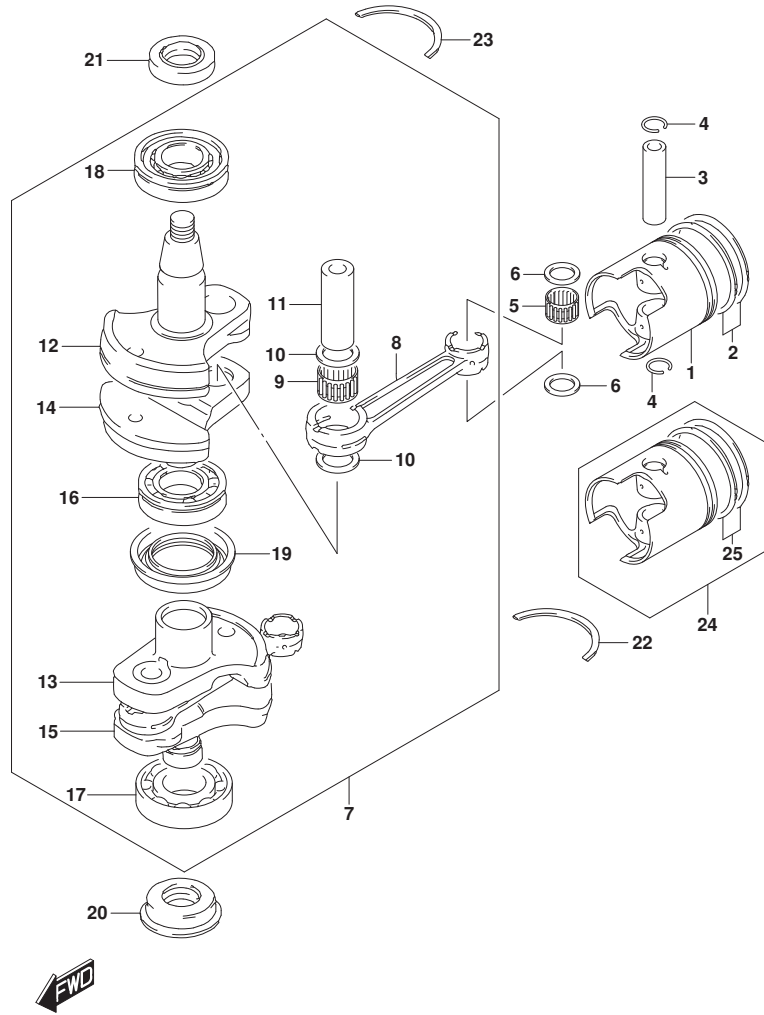


FIG.116A (1-B-5) CRANKSHAFT (DT40W)(DT40WR)

| REF NO. | PART NO. | DESCRIPTION | Q'TY | REMARKS |
|---------|-----------------|-----------------------------|------|---------|
| 1 | 12110-94400 | PISTON | 2 | |
| 2 | 12140-94400 | RING SET, PISTON | 2 | |
| 3 | 12151-94400 | PIN, PISTON | 2 | |
| 4 | 09381-20003 | CIRCLIP | 4 | |
| 5 | 09263-20072 | BEARING (20X26X24) | 2 | |
| 6 | 09169-20007 | WASHER | 4 | |
| 7 | 12200-92L30 | CRANKSHAFT ASSY | 1 | |
| 8 | 12161-94400 | .CONNECTING ROD | 2 | |
| 9 | 09263-27005 | .BEARING (27X37X22) | 2 | |
| 10 | 09160-27008 | .WASHER (27X36X1) | 4 | |
| 11 | 12211-94410 | .PIN, CRANK | 2 | |
| 12 | 12221-92L20 | .CRANKSHAFT, UPPER | 1 | |
| 13 | 12232-92L20 | .WHEEL, CRANKSHAFT UNDER | 1 | |
| 14 | 12231-92L20 | .WHEEL, CRANKSHAFT UPPER | 1 | |
| 15 | 12240-92L20 | .CRANKSHAFT, UNDER | 1 | |
| 16 | 09262-30068 | .BEARING (30X72X19) | 1 | |
| 17 | 09262-35L09 | .BEARING (35X72X17) | 1 | |
| 18 | 09264-35005 | .BEARING (35X80X21) | 1 | |
| 19 | 09289-45L01 | .OIL SEAL (45X72X12) | 1 | |
| 20 | 09283-30062 | OIL SEAL (30X55X8) | 1 | |
| 21 | 09283-35L01 | OIL SEAL (35X55X7) | 1 | |
| 22 | 09390-72008 | C-RING | 1 | |
| 23 | 09390-80002 | C RING(ID:76.8,OD:86,T:1.9) | 1 | |
| 24 | 12100-94400-050 | PISTON SET (OS:0.50) | 2 | OPT |
| 25 | 12140-94400-050 | .RING SET, PISTON (OS:0.50) | 2 | OPT |

DT40W P40
 DT40W P90
 DT40WR P40
 DT40WR P90

FIG.116B

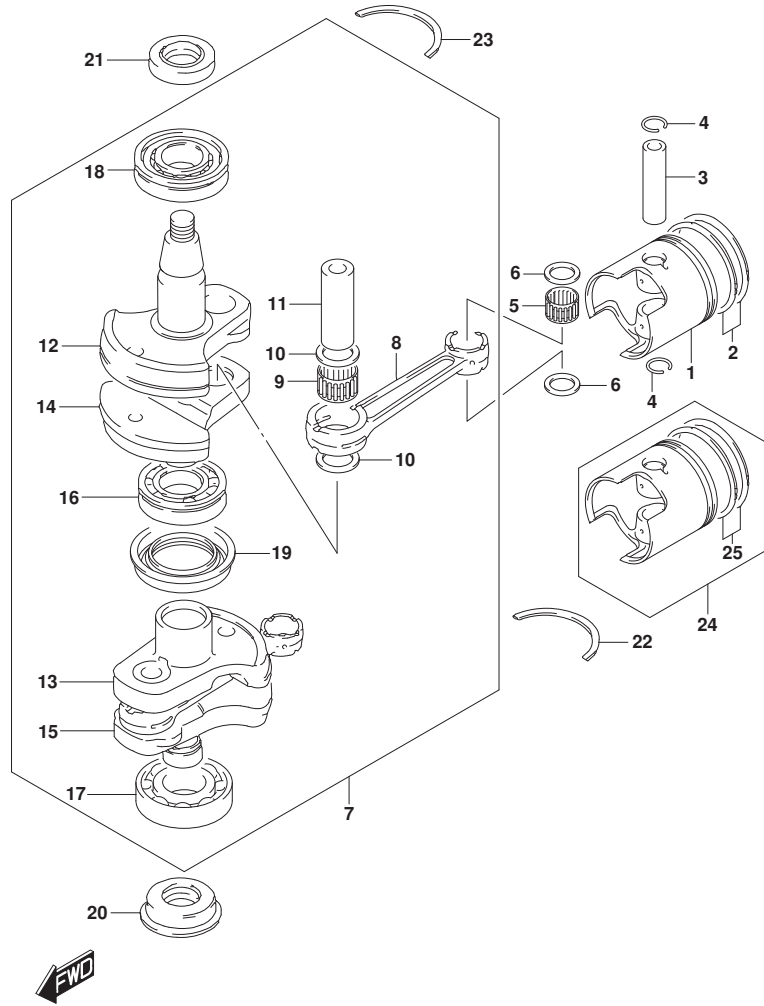


FIG.116B (1-B-6) CRANKSHAFT (DT40WK)

| REF NO. | PART NO. | DESCRIPTION | Q'TY | REMARKS |
|---------|-----------------|-----------------------------|------|---------|
| 1 | 12110-92L20-0B0 | PISTON | 2 | |
| 2 | 12140-94410 | RING SET, PISTON | 2 | |
| 3 | 12151-94400 | PIN, PISTON | 2 | |
| 4 | 09381-20003 | CIRCLIP | 4 | |
| 5 | 09263-20072 | BEARING (20X26X24) | 2 | |
| 6 | 09169-20007 | WASHER | 4 | |
| 7 | 12200-92L30 | CRANKSHAFT ASSY | 1 | |
| 8 | 12161-94400 | .CONNECTING ROD | 2 | |
| 9 | 09263-27008 | .BEARING (27X37X22) | 2 | |
| 10 | 09160-27008 | .WASHER (27X36X1) | 4 | |
| 11 | 12211-94410 | .PIN, CRANK | 2 | |
| 12 | 12221-92L20 | .CRANKSHAFT, UPPER | 1 | |
| 13 | 12232-92L20 | .WHEEL, CRANKSHAFT UNDER | 1 | |
| 14 | 12231-92L20 | .WHEEL, CRANKSHAFT UPPER | 1 | |
| 15 | 12240-92L20 | .CRANKSHAFT, UNDER | 1 | |
| 16 | 09262-30068 | .BEARING (30X72X19) | 1 | |
| 17 | 09262-35L09 | .BEARING (35X72X17) | 1 | |
| 18 | 09264-35005 | .BEARING (35X80X21) | 1 | |
| 19 | 09289-45L01 | .OIL SEAL (45X72X12) | 1 | |
| 20 | 09283-30062 | OIL SEAL (30X55X8) | 1 | |
| 21 | 09283-35L01 | OIL SEAL (35X55X7) | 1 | |
| 22 | 09390-72008 | C-RING | 1 | |
| 23 | 09390-80002 | C RING(ID:76.8,OD:86,T:1.9) | 1 | |
| 24 | 12100-94400-050 | PISTON SET (OS:0.50) | 2 | OPT |
| 25 | 12140-94400-050 | .RING SET, PISTON (OS:0.50) | 2 | OPT |

DT40WK P40

FIG.125A

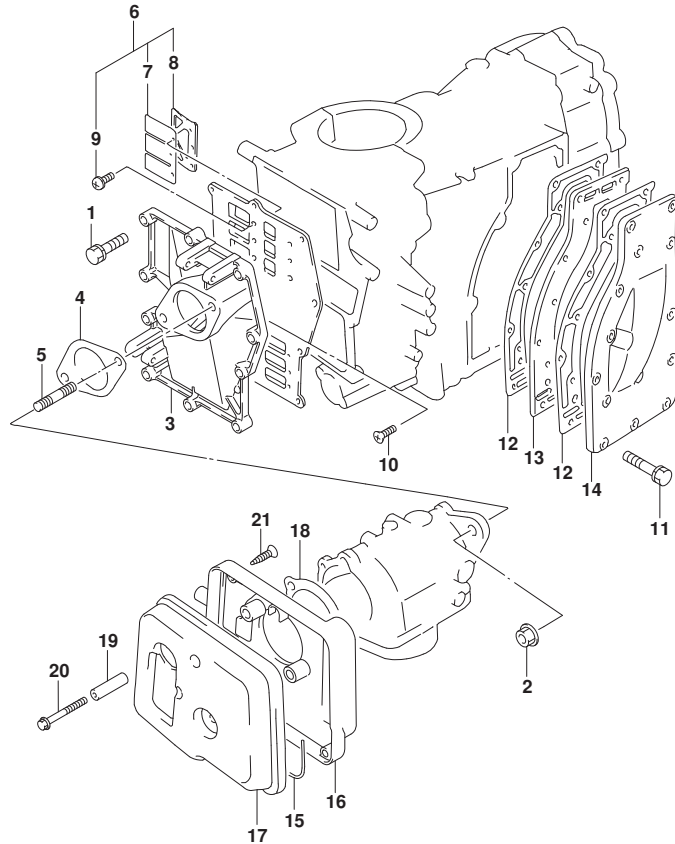


FIG.125A (1-B-7) INLET CASE (DT40W)(DT40WR)

| REF NO. | PART NO. | DESCRIPTION | Q'TY | REMARKS |
|---------|-------------|------------------------|------|---------|
| 1 | 01550-0630C | BOLT | 10 | |
| 2 | 08316-10087 | NUT | 2 | |
| 3 | 13111-92L00 | CASE, INLET | 1 | |
| 4 | 13125-95210 | GASKET, CARBURETOR | 1 | |
| 5 | 01411-0820A | STUD BOLT | 2 | |
| 6 | 13150-92L00 | VALVE ASSY, REED | 1 | |
| 7 | 13153-92L00 | .VALVE, REED | 4 | |
| 8 | 13152-92L00 | .STOPPER, REED VALVE | 4 | |
| 9 | 02112-3306A | .SCREW | 12 | |
| 10 | 02122-06167 | SCREW | 1 | |
| 11 | 01550-0630C | BOLT | 16 | |
| 12 | 14151-92L00 | GASKET, EXHAUST COVER | 2 | |
| 13 | 14131-92L10 | PLATE, EXHAUST | 1 | |
| 14 | 14141-92L10 | COVER, EXHAUST | 1 | |
| 15 | 09280-63001 | O RING (D:1.9,ID:63.1) | 1 | |
| 16 | 13811-92L10 | CASE, SILENCER | 1 | |
| 17 | 13812-92L00 | COVER, SILENCER | 1 | |
| 18 | 13855-95210 | GASKET, SILENCER | 1 | |
| 19 | 09180-06254 | SPACER (6.1X8X34) | 2 | |
| 20 | 09116-06513 | BOLT (6X45) | 2 | |
| 21 | 03222-0520B | SCREW | 5 | |

DT40W P40
 DT40W P90
 DT40WR P40
 DT40WR P90

FIG.125B

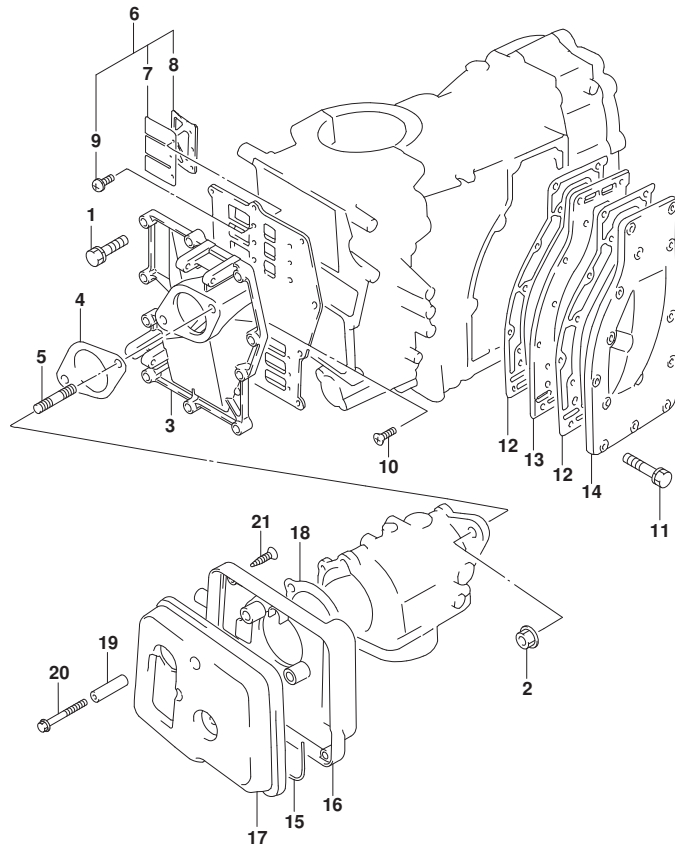


FIG.125B (1-B-8) INLET CASE (DT40WK)

| REF NO. | PART NO. | DESCRIPTION | Q'TY | REMARKS |
|---------|-------------|------------------------|------|---------|
| 1 | 01550-0630C | BOLT | 10 | |
| 2 | 08316-10087 | NUT | 2 | |
| 3 | 13111-92L10 | CASE, INLET | 1 | |
| 4 | 13125-95210 | GASKET, CARBURETOR | 1 | |
| 5 | 01411-0820A | STUD BOLT | 1 | |
| 6 | 13150-92L00 | VALVE ASSY, REED | 1 | |
| 7 | 13153-92L00 | .VALVE, REED | 4 | |
| 8 | 13152-92L00 | .STOPPER, REED VALVE | 4 | |
| 9 | 02112-3306A | .SCREW | 12 | |
| 10 | 02122-06167 | SCREW | 1 | |
| 11 | 01550-0630C | BOLT | 16 | |
| 12 | 14151-92L00 | GASKET, EXHAUST COVER | 2 | |
| 13 | 14131-92L10 | PLATE, EXHAUST | 1 | |
| 14 | 14141-92L10 | COVER, EXHAUST | 1 | |
| 15 | 09280-63001 | O RING (D:1.9,ID:63.1) | 1 | |
| 16 | 13811-92L10 | CASE, SILENCER | 1 | |
| 17 | 13812-92L00 | COVER, SILENCER | 1 | |
| 18 | 13855-95210 | GASKET, SILENCER | 1 | |
| 19 | 09180-06254 | SPACER (6.1X8X34) | 2 | |
| 20 | 09116-06513 | BOLT (6X45) | 2 | |
| 21 | 03222-0520B | SCREW | 5 | |

DT40WK P40

FIG.128A

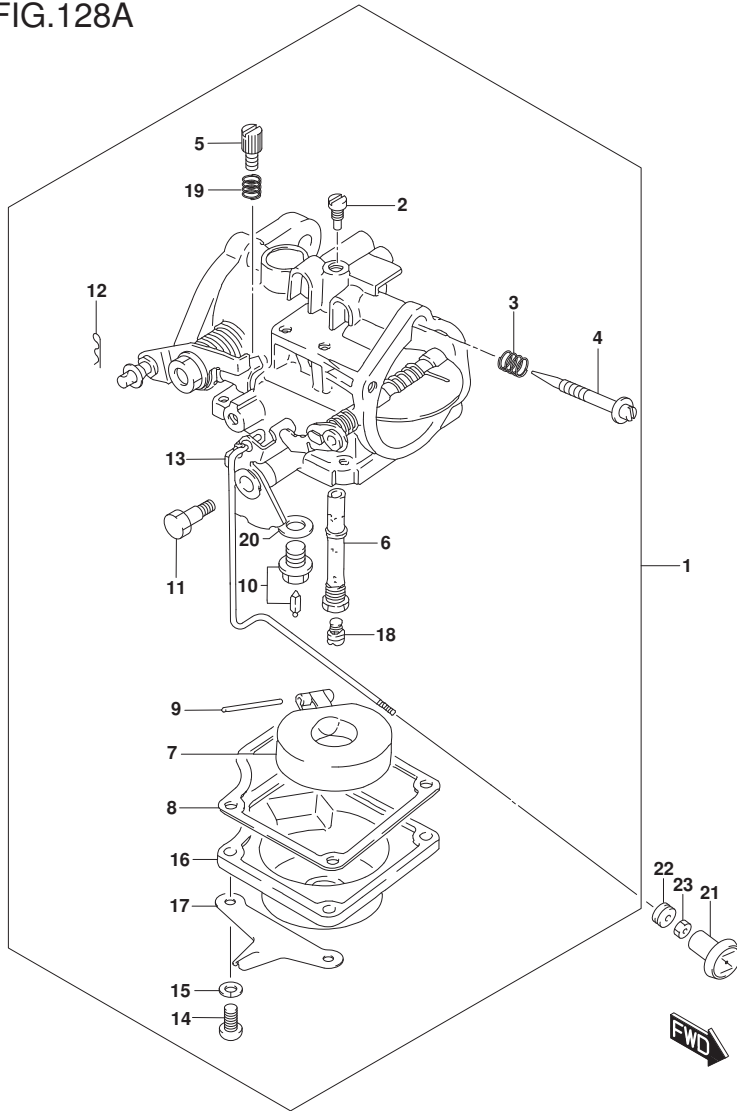


FIG.128A (1-B-9) CARBURETOR TRANSOM(S,L) (DT40W P40)

| REF NO. | PART NO. | DESCRIPTION | Q'TY | REMARKS |
|---------|-------------|------------------------|------|------------------------|
| 1 | 13200-944J0 | CARBURETOR ASSY | 1 | |
| 2 | 09492-67004 | .JET, PILOT (67.5) | 1 | |
| 3 | 13271-93311 | .SPRING, AIR SCREW | 1 | |
| 4 | 13269-95210 | .SCREW, PILOT AIR | 1 | |
| 5 | 13267-93900 | .SCREW | 1 | |
| 6 | 13235-94400 | .NOZZLE | 1 | |
| 7 | 13250-93012 | .FLOAT | 1 | |
| 8 | 13251-95220 | .GASKET, FLOAT CHAMBER | 1 | |
| 9 | 13254-98300 | .PIN, FLOAT | 1 | |
| 10 | 13370-97E20 | .VALVE ASSY, NEEDLE | 1 | |
| 11 | 13613-94300 | .BOLT | 1 | |
| 12 | 13464-96350 | .PIN | 1 | |
| 13 | 13580-94400 | .LEVER ASSY | 1 | |
| 14 | 02112-05167 | .SCREW | 4 | |
| 15 | 08321-0105A | .LOCK WASHER | 4 | |
| 16 | 13245-94400 | .CHAMBER, FLOAT | 1 | |
| 17 | 13426-95211 | .PLATE, SPRING | 1 | |
| 18 | 09491-38007 | .JET, MAIN (190) | 1 | |
| 19 | 13268-96111 | .SPRING | 1 | |
| 20 | 13392-58600 | .GASKET, VALVE SEAT | 1 | |
| 21 | 13631-93501 | KNOB, STARTER | 1 | |
| 22 | 09320-04009 | BUSH | 1 | |
| 23 | 09140-04007 | NUT | 1 | |
| 24 | 13910-94400 | REPAIR KIT, CARBURETOR | 1 | OPT NOT ILLUSTRATED |

DT40W P40

FIG.128B

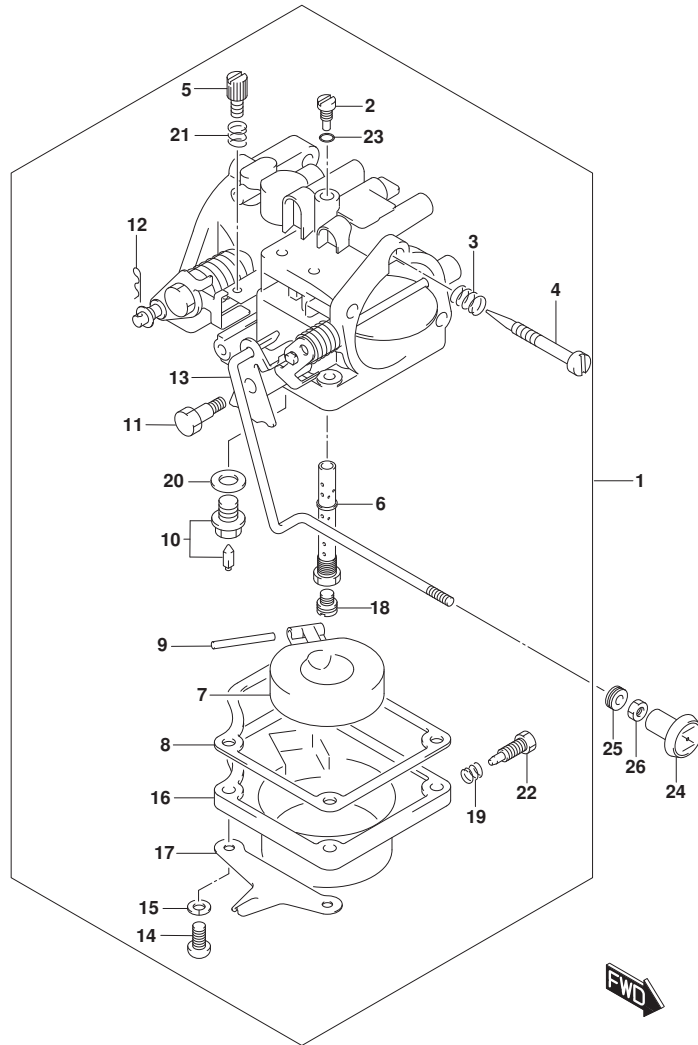


FIG.128B (1-B-10) CARBURETOR TRANSOM(L2) (DT40W P40)

| REF NO. | PART NO. | DESCRIPTION | Q'TY | REMARKS |
|---------|-------------|------------------------|------|------------------------|
| 1 | 13200-944K0 | CARBURETOR ASSY | 1 | |
| 2 | 09492-67004 | .JET, PILOT (67.5) | 1 | |
| 3 | 13271-93311 | .SPRING, AIR SCREW | 1 | |
| 4 | 13269-95520 | .SCREW, PILOT AIR | 1 | |
| 5 | 13267-93900 | .SCREW | 1 | |
| 6 | 13235-94400 | .NOZZLE | 1 | |
| 7 | 13250-93012 | .FLOAT | 1 | |
| 8 | 13251-95220 | .GASKET, FLOAT CHAMBER | 1 | |
| 9 | 13254-98300 | .PIN, FLOAT | 1 | |
| 10 | 13370-97E20 | .VALVE ASSY, NEEDLE | 1 | |
| 11 | 13613-94310 | .BOLT | 1 | |
| 12 | 13464-96350 | .PIN | 1 | |
| 13 | 13580-94400 | .LEVER ASSY | 1 | |
| 14 | 02112-05167 | .SCREW | 4 | |
| 15 | 08321-0105A | .LOCK WASHER | 4 | |
| 16 | 13245-94410 | .CHAMBER, FLOAT | 1 | |
| 17 | 13426-95211 | .PLATE, SPRING | 1 | |
| 18 | 09491-38007 | .JET, MAIN (190) | 1 | |
| 19 | 13268-96111 | .SPRING | 1 | |
| 20 | 13392-58600 | .GASKET, VALVE SEAT | 1 | |
| 21 | 13268-96111 | .SPRING | 1 | |
| 22 | 13279-90010 | .SCREW | 1 | |
| 23 | 13294-28010 | .O RING | 1 | |
| 24 | 13631-93501 | KNOB, STARTER | 1 | |
| 25 | 09320-04009 | BUSH | 1 | |
| 26 | 09140-04007 | NUT | 1 | |
| 27 | 13910-94400 | REPAIR KIT, CARBURETOR | 1 | OPT NOT ILLUSTRATED |

DT40W P40

FIG.128C

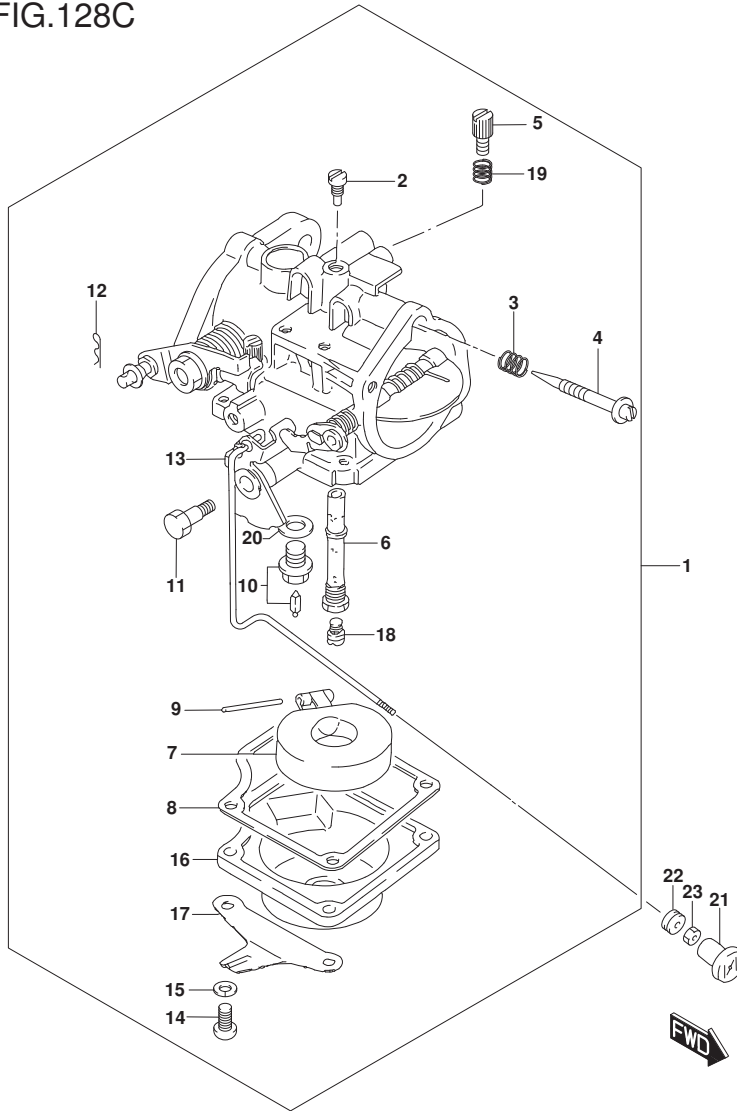


FIG.128C (1-B-11) CARBURETOR (DT40W P90)(DT40WR P40)(DT40WR P90)

| REF NO. | PART NO. | DESCRIPTION | Q'TY | REMARKS |
|---------|-------------|------------------------|------|------------------------|
| 1 | 13200-944J0 | CARBURETOR ASSY | 1 | |
| 2 | 09492-67004 | .JET, PILOT (67.5) | 1 | |
| 3 | 13271-93311 | .SPRING, AIR SCREW | 1 | |
| 4 | 13269-95210 | .SCREW, PILOT AIR | 1 | |
| 5 | 13267-93900 | .SCREW | 1 | |
| 6 | 13235-94400 | .NOZZLE | 1 | |
| 7 | 13250-93012 | .FLOAT | 1 | |
| 8 | 13251-95220 | .GASKET, FLOAT CHAMBER | 1 | |
| 9 | 13254-98300 | .PIN, FLOAT | 1 | |
| 10 | 13370-97E20 | .VALVE ASSY, NEEDLE | 1 | |
| 11 | 13613-94300 | .BOLT | 1 | |
| 12 | 13464-96350 | .PIN | 1 | |
| 13 | 13580-94400 | .LEVER ASSY | 1 | |
| 14 | 02112-05167 | .SCREW | 4 | |
| 15 | 08321-0105A | .LOCK WASHER | 4 | |
| 16 | 13245-94400 | .CHAMBER, FLOAT | 1 | |
| 17 | 13426-95211 | .PLATE, SPRING | 1 | |
| 18 | 09491-38007 | .JET, MAIN (190) | 1 | |
| 19 | 13268-96111 | .SPRING | 1 | |
| 20 | 13392-58600 | .GASKET, VALVE SEAT | 1 | |
| 21 | 13631-93501 | KNOB, STARTER | 1 | |
| 22 | 09320-04009 | BUSH | 1 | |
| 23 | 09140-04007 | NUT | 1 | |
| 24 | 13910-94400 | REPAIR KIT, CARBURETOR | 1 | OPT NOT ILLUSTRATED |

DT40W P90
DT40WR P40
DT40WR P90

FIG.128D

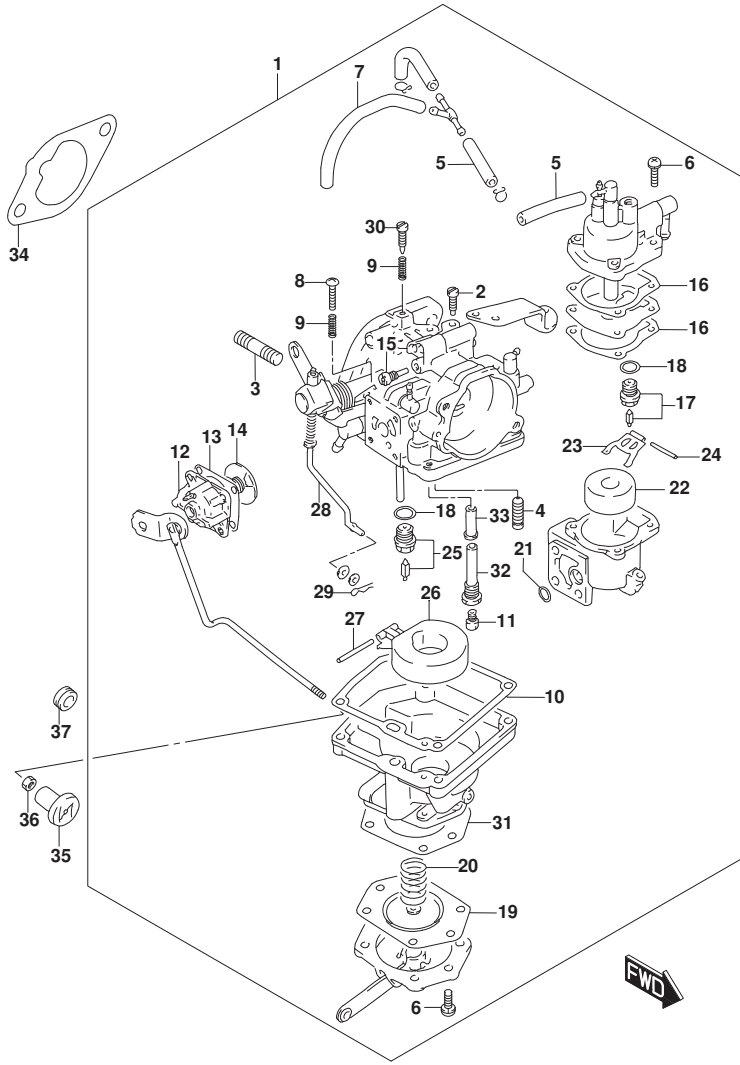


FIG.128D (1-B-12) CARBURETOR (DT40WK P40)

| REF NO. | PART NO. | DESCRIPTION | Q'TY | REMARKS |
|---------|-------------|------------------------|------|--------------|
| 1 | 13200-944D0 | CARBURETOR | 1 | |
| 2 | 09492-65002 | .JET,PILOT (65) | 1 | FOR GASOLINE |
| 3 | 01411-0820A | .STUD BOLT | 1 | |
| 4 | 13443-94350 | .VALVE | 1 | |
| 5 | 13651-95300 | .HOSE | 2 | |
| 6 | 13249-93900 | .SCREW | 10 | |
| 7 | 13651-95300 | .HOSE | 1 | |
| 8 | 13534-96300 | .SCREW | 1 | |
| 9 | 13268-96111 | .SPRING | 2 | |
| 10 | 13245-94350 | .GASKET, FLOAT CHAMBER | 1 | FOR KEROSENE |
| 11 | 09491-38008 | .JET, MAIN (195) | 1 | |
| 12 | 13419-94400 | .COVER, VALVE | 1 | |
| 13 | 13418-94360 | .GASKET | 1 | |
| 14 | 13415-94350 | .DISC, STARTER | 1 | |
| 15 | 09492-75001 | .JET, PILOT (75) | 1 | FOR KEROSENE |
| 16 | 13265-94360 | .GASKET | 2 | FOR GASOLINE |
| 17 | 13370-94350 | .NEEDLE VALVE ASSY | 1 | FOR GASOLINE |
| 18 | 13392-58600 | .PACKING | 2 | |
| 19 | 13450-94350 | .DIAPHRAGM ASSY | 1 | |
| 20 | 13441-94350 | .SPRING | 1 | |
| 21 | 13521-78100 | .O RING | 1 | |
| 22 | 13270-94350 | .FLOAT | 1 | FOR GASOLINE |
| 23 | 13282-94350 | .ARM | 1 | |
| 24 | 13254-98410 | .PIN | 1 | FOR GASOLINE |
| 25 | 13370-27310 | .NEEDLE VALVE ASSY | 1 | FOR KEROSENE |
| 26 | 13250-93012 | .FLOAT ASSY | 1 | FOR KEROSENE |
| 27 | 13254-98300 | .PIN | 1 | FOR KEROSENE |
| 28 | 13462-94351 | .ROD | 1 | |
| 29 | 13464-96350 | .SPRING PIN | 1 | |
| 30 | 13269-98100 | .SCREW, PILOT | 1 | |
| 31 | 13446-94360 | .GASKET | 1 | |
| 32 | 13236-94460 | .NOZZLE, MAIN | 1 | |
| 33 | 13237-94460 | .NOZZLE | 1 | |

FIG.128D

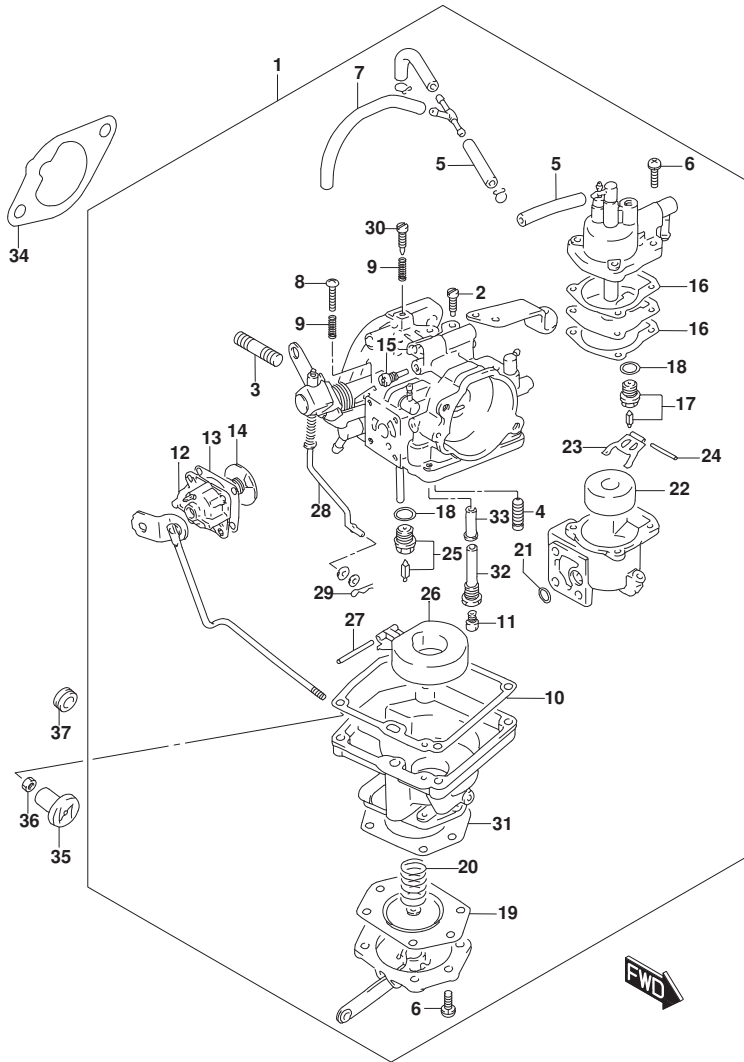


FIG.128D (1-B-13) CARBURETOR (DT40WK P40)

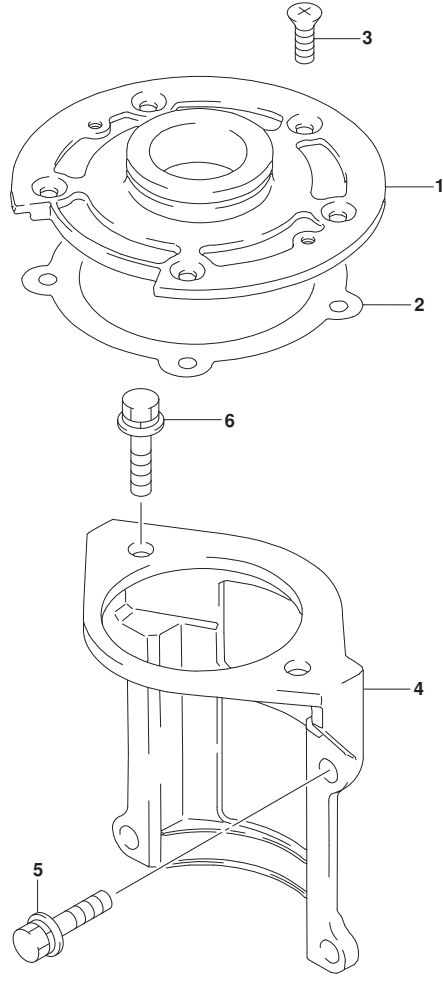
| REF NO. | PART NO. | DESCRIPTION | Q'TY | REMARKS |
|---------|-------------|-------------------------|------|------------------------|
| 34 | 13126-94450 | PLATE, AIR FLOW CONTROL | 1 | |
| 35 | 13631-93501 | KNOB, STARTER | 1 | |
| 36 | 09140-04007 | NUT | 1 | |
| 37 | 09320-04009 | BUSH | 1 | |
| 38 | 13910-94400 | REPAIR KIT, CARBURETOR | 1 | OPT NOT ILLUSTRATED |

DT40WK P40

FIG.130A

FIG.130A (1-B-14) OIL SEAL HOUSING (ELECTRIC STARTER)

| REF NO. | PART NO. | DESCRIPTION | Q'TY | REMARKS |
|---------|-------------|-------------------------|------|---------|
| 1 | 11411-92L10 | HOUSING, UPPER OIL SEAL | 1 | |
| 2 | 11413-94411 | GASKET, UPPER OIL SEAL | 1 | |
| 3 | 09126-06022 | SCREW (6X16) | 5 | |
| 4 | 31911-92L00 | BRACKET, STARTING MOTOR | 1 | |
| 5 | 01550-08257 | BOLT | 3 | |
| 6 | 01580-08257 | BOLT | 2 | |

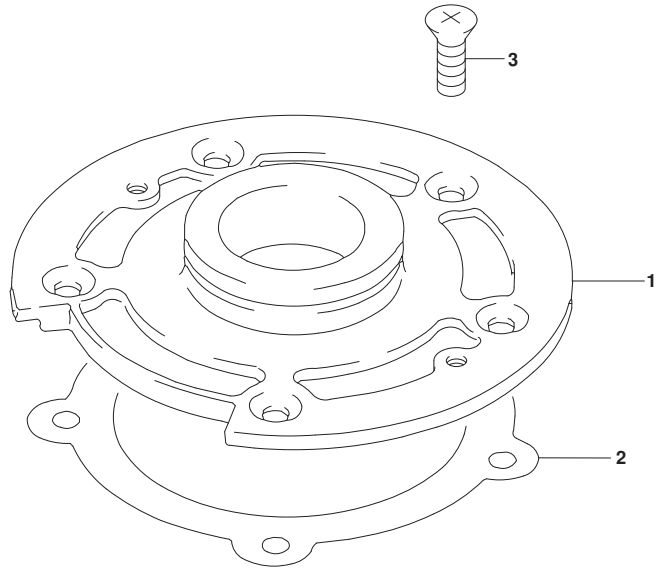


DT40W P40
 DT40W P90
 DT40WR P40
 DT40WR P90

FIG.130B

FIG.130B (1-B-15) OIL SEAL HOUSING (MANUAL STARTER)

| REF NO. | PART NO. | DESCRIPTION | Q'TY | REMARKS |
|---------|-------------|-------------------------|------|---------|
| 1 | 11411-92L10 | HOUSING, UPPER OIL SEAL | 1 | |
| 2 | 11413-94411 | GASKET, UPPER OIL SEAL | 1 | |
| 3 | 09126-06022 | SCREW (6X16) | 5 | |



DT40W P40
DT40W P90
DT40WK P40



FIG.141A

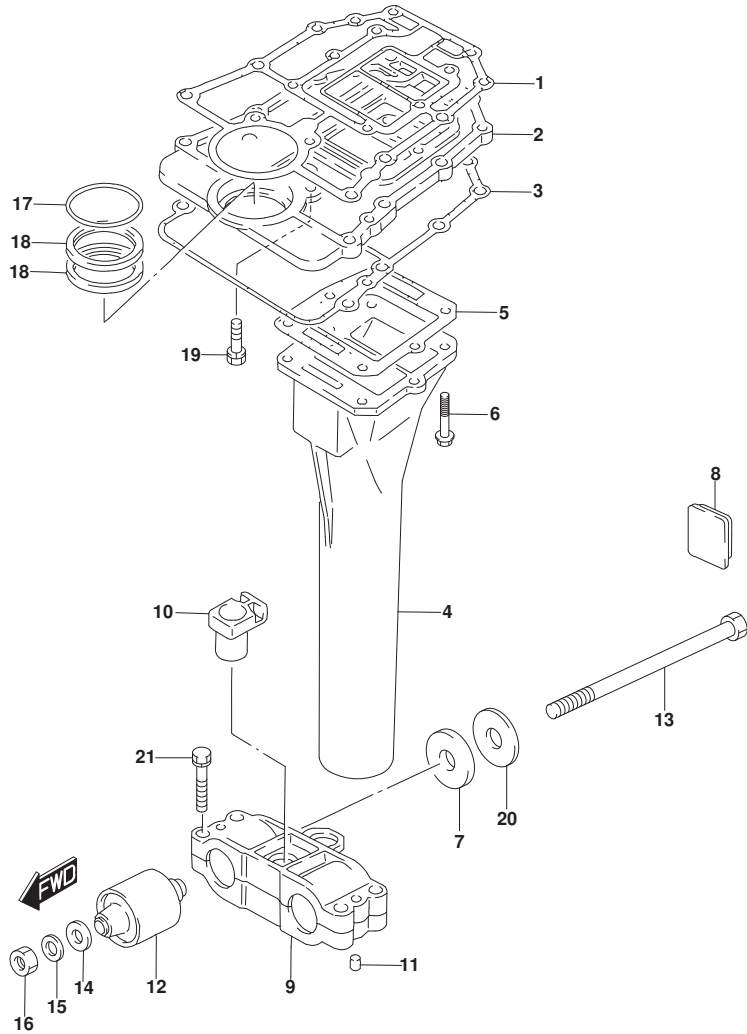


FIG.141A (1-C-2) EXHAUST TUBE (DT40W P40)(DT40W P90)(DT40WR P90)(DT40WK P40)

| REF NO. | PART NO. | DESCRIPTION | Q'TY | REMARKS |
|---------|-------------|------------------------------|------|------------------------------|
| 1 | 11433-92L00 | GASKET, UNDER OIL SEAL | 1 | |
| 2 | 11431-92L00 | HOUSING, UNDER OIL SEAL | 1 | |
| 3 | 11434-92L00 | GASKET, UNDER OIL SEAL LOWER | 1 | |
| 4-1 | 14211-94451 | TUBE, EXHAUST | 1 | W/TRANSOM(S) W/TRANSOM(L) |
| 4-2 | 14211-92L20 | TUBE, EXHAUST (L2) | 1 | W/TRANSOM(L2) |
| 5 | 14212-94413 | GASKET, EXHAUST TUBE | 1 | |
| 6 | 09116-06234 | BOLT (6X35) | 6 | |
| 7 | 54121-94402 | STOPPER, UPPER THRUST | 2 | |
| 8 | 54125-94400 | MOUNT, UPPER THRUST REVERSE | 1 | |
| 9 | 54137-92L10 | CASE, UPPER MOUNT | 2 | |
| 10 | 54146-94400 | GUIDE, UPPER MOUNT CASE | 1 | |
| 11 | 09202-07001 | PIN (7X10) | 2 | |
| 12 | 54130-92L00 | MOUNT, UPPER | 2 | |
| 13 | 09100-10321 | BOLT (10X150) | 2 | |
| 14 | 09160-10148 | WASHER (10X20X3) | 2 | |
| 15 | 09160-10082 | WASHER (10.5X19X2) | 2 | |
| 16 | 09159-10050 | NUT | 2 | |
| 17 | 09280-50008 | O RING (D:3.1,ID:49.4) | 1 | |
| 18 | 09282-17009 | OIL SEAL (17X28X6) | 2 | |
| 19 | 09116-06228 | BOLT (6X20) | 2 | |
| 20 | 09160-10080 | WASHER (10.2X44X3) | 2 | |
| 21 | 09116-08155 | BOLT (8X45) | 4 | |

DT40W P40
 DT40W P90
 DT40WR P90
 DT40WK P40

FIG.141B

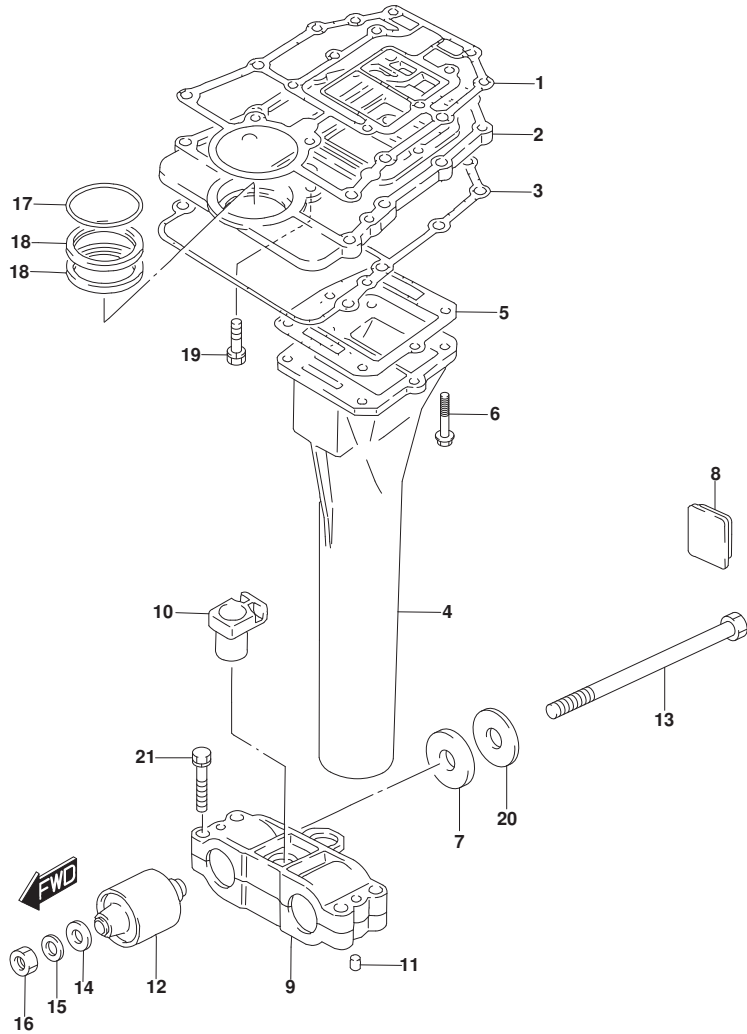


FIG.141B (1-C-3) EXHAUST TUBE (DT40WR P40)

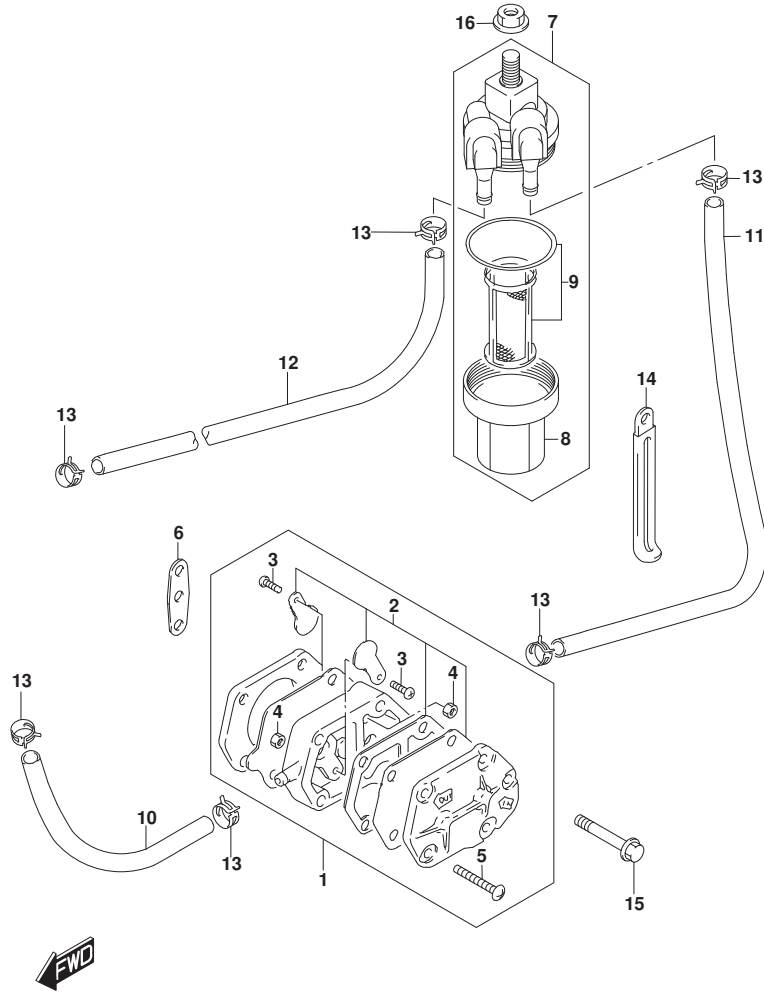
| REF NO. | PART NO. | DESCRIPTION | Q'TY | REMARKS |
|---------|-------------|------------------------------|------|---------------|
| 1 | 11433-92L00 | GASKET, UNDER OIL SEAL | 1 | |
| 2 | 11431-92L00 | HOUSING, UNDER OIL SEAL | 1 | |
| 3 | 11434-92L00 | GASKET, UNDER OIL SEAL LOWER | 1 | |
| 4-1 | 14211-94451 | TUBE, EXHAUST | 1 | W/TRANSOM(L) |
| 4-2 | 14211-92L20 | TUBE, EXHAUST (L2) | 1 | W/TRANSOM(L2) |
| 5 | 14212-94413 | GASKET, EXHAUST TUBE | 1 | |
| 6 | 09116-06234 | BOLT (6X35) | 6 | |
| 7 | 54121-94402 | STOPPER, UPPER THRUST | 2 | |
| 8 | 54125-94400 | MOUNT, UPPER THRUST REVERSE | 1 | |
| 9 | 54137-92L10 | CASE, UPPER MOUNT | 2 | |
| 10 | 54146-94400 | GUIDE, UPPER MOUNT CASE | 1 | |
| 11 | 09202-07001 | PIN (7X10) | 2 | |
| 12 | 54130-92L00 | MOUNT, UPPER | 2 | |
| 13 | 09100-10321 | BOLT (10X150) | 2 | |
| 14 | 09160-10148 | WASHER (10X20X3) | 2 | |
| 15 | 09160-10082 | WASHER (10.5X19X2) | 2 | |
| 16 | 09159-10050 | NUT | 2 | |
| 17 | 09280-50008 | O RING (D:3.1,ID:49.4) | 1 | |
| 18 | 09282-17009 | OIL SEAL (17X28X6) | 2 | |
| 19 | 09116-06228 | BOLT (6X20) | 2 | |
| 20 | 09160-10080 | WASHER (10.2X44X3) | 2 | |
| 21 | 09116-08155 | BOLT (8X45) | 4 | |

DT40WR P40

FIG.146A

FIG.146A (1-C-4) FUEL PUMP (DT40W)(DT40WR)

| REF NO. | PART NO. | DESCRIPTION | Q'TY | REMARKS |
|---------|-----------------|-------------------------------------|------|---------|
| 1 | 15100-94311 | PUMP, FUEL | 1 | |
| 2 | 15170-94320 | .DIAPHRAGM SET | 1 | |
| 3 | 15183-94301 | .SCREW | 2 | |
| 4 | 15186-94300 | .NUT | 2 | |
| 5 | 15851-94300 | .SCREW | 3 | |
| 6 | 15321-99710 | GASKET, FUEL PUMP | 1 | |
| 7 | 15410-94400 | FILTER ASSY, FUEL | 1 | |
| 8 | 15413-87D10 | .CUP | 1 | |
| 9 | 15430-87D10 | .ELEMENT SET | 1 | |
| 10 | 15211-91J00-110 | HOSE, FUEL (PUMP TO CARB) | 1 | |
| 11 | 15211-91J00-135 | HOSE, FUEL (FILTER TO PUMP) | 1 | |
| 12 | 15211-91J00-400 | HOSE, FUEL (CONNECTOR TO FILTER) | 1 | |
| 13 | 09401-08413 | CLIP | 6 | |
| 14 | 29404-93J10 | CLAMP | 1 | |
| 15 | 01547-06407 | BOLT | 2 | |
| 16 | 08316-10087 | NUT | 1 | |



DT40W P40
 DT40W P90
 DT40WR P40
 DT40WR P90

FIG.146B

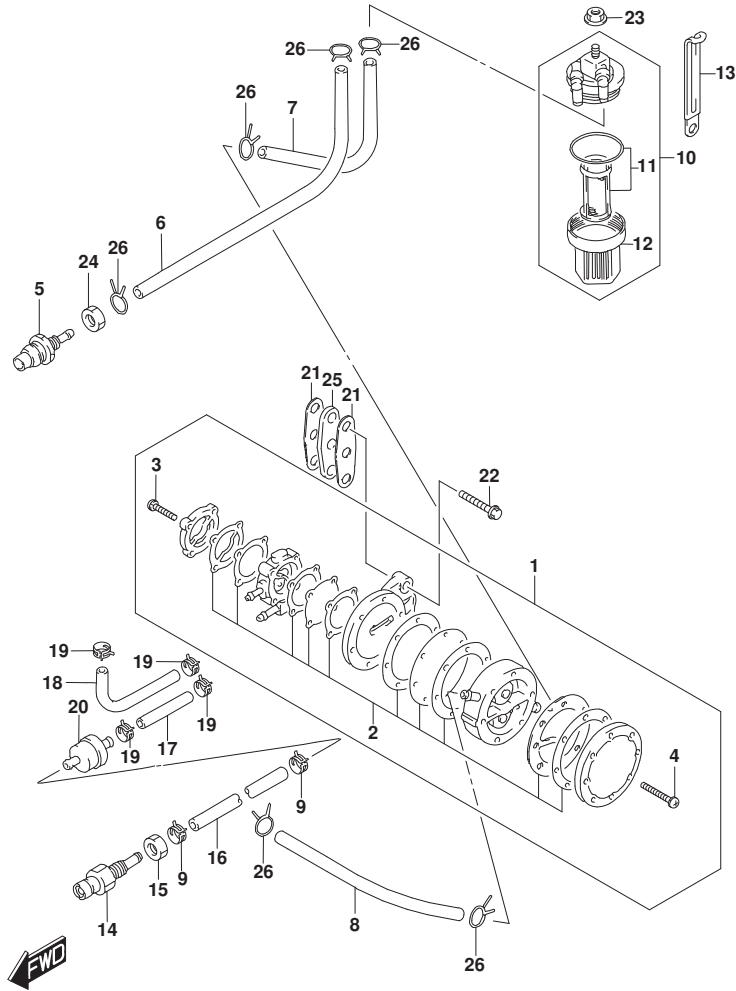


FIG.146B (1-C-5) FUEL PUMP (DT40WK)

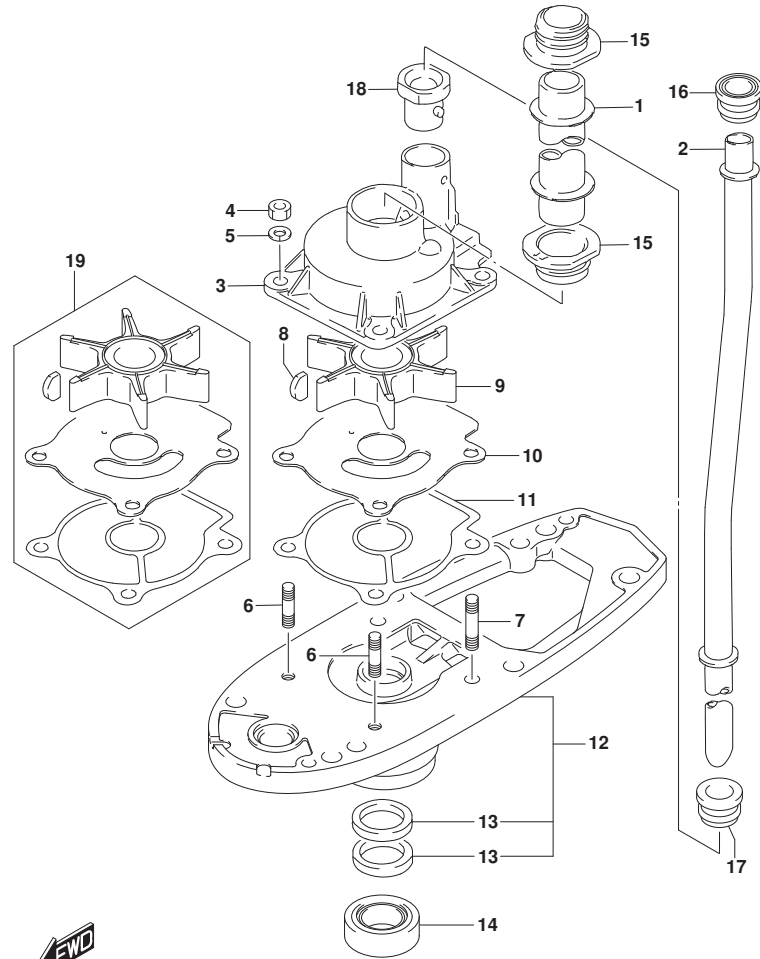
| REF NO. | PART NO. | DESCRIPTION | Q'TY | REMARKS |
|---------|-----------------|-----------------------------|------|--|
| 1 | 15100-94460 | PUMP ASSY, FUEL | 1 | |
| 2 | 15170-94460 | .DIAPHRAGM SET | 1 | |
| 3 | 15251-94450 | .SCREW | 4 | |
| 4 | 15251-94470 | .SCREW | 6 | |
| 5 | 65720-985L1 | PLUG, FUEL CONNECTOR | 1 | FOR KEROSENE |
| 6 | 09355-50108-370 | HOSE (5X10X370) | 1 | FOR KEROSENE CONN TO FILTER |
| 7 | 09355-50108-135 | HOSE (5X10X135) | 1 | FOR KEROSENE FILTER TO PUMP |
| 8 | 09355-50108-260 | HOSE (5X10X260) | 1 | FOR KEROSENE PUMP TO CARB |
| 9 | 09401-10412 | CLIP | 2 | |
| 10 | 15410-94400 | FILTER ASSY, FUEL | 1 | FOR KEROSENE |
| 11 | 15430-87D10 | .ELEMENT SET | 1 | |
| 12 | 15413-87D10 | .CUP | 1 | |
| 13 | 29404-93J10 | CLAMP | 1 | FOR KEROSENE |
| 14 | 65720-955L0 | PLUG, FUEL CONNECTOR | 1 | FOR GASOLINE |
| 15 | 09140-12038 | NUT | 1 | FOR GASOLINE |
| 16 | 09352-70113-600 | HOSE (7X11X600) | 1 | L:600->150 FOR GASOLINE CONN TO FILTER |
| 17 | 15211-91J00-050 | HOSE, FUEL (FILTER TO PUMP) | 1 | FOR GASOLINE |
| 18 | 15211-91J00-140 | HOSE, FUEL (PUMP TO CARB) | 1 | FOR GASOLINE |
| 19 | 09401-08413 | CLIP | 4 | |
| 20 | 15410-94350 | FILTER, FUEL | 1 | FOR GASOLINE |
| 21 | 15321-96300 | GASKET, FUEL PUMP | 2 | |
| 22 | 01550-0630C | BOLT | 2 | |
| 23 | 08316-10087 | NUT | 1 | |
| 24 | 09140-10032 | NUT | 1 | FOR KEROSENE |
| 25 | 15322-96300 | INSULATOR, FUEL PUMP | 1 | |
| 26 | 59412-91J00 | CLIP | 6 | |

DT40WK P40

FIG.160A

FIG.160A (1-C-6) WATER PUMP (DT40W P40)(DT40W P90)(DT40WR P90)

| REF NO. | PART NO. | DESCRIPTION | Q'TY | REMARKS |
|---------|-----------------|--------------------------------------|------|------------------------|
| 1-1 | 17431-92L10 | TUBE, WATER PUMP SEAL (S) | 1 | W/TRANSOM(S) L:21 |
| 1-2 | 17431-92L20 | TUBE, WATER PUMP SEAL (L) | 1 | W/TRANSOM(L) L:126 |
| 1-3 | 17431-92L00 | TUBE, WATER PUMP SEAL (L2) | 1 | W/TRANSOM(L2) L:173 |
| 2-1 | 17561-92L50 | TUBE, WATER (S) | 1 | W/TRANSOM(S) L:366 |
| 2-2 | 17561-92L60 | TUBE, WATER (L) | 1 | W/TRANSOM(L) L:446 |
| 2-3 | 17561-92L70 | TUBE, WATER (L2) | 1 | W/TRANSOM(L2) L:493 |
| 3 | 17410-92L00 | CASE, WATER PUMP | 1 | |
| 4 | 29141-93J00 | NUT | 4 | |
| 5 | 29162-93J00 | LOCK WASHER | 4 | |
| 6 | 09108-06060 | STUD BOLT | 2 | |
| 7 | 09108-06061 | STUD BOLT | 2 | |
| 8 | 09420-04006 | KEY | 1 | |
| 9 | 17461-96312 | IMPELLER, WATER PUMP | 1 | |
| 10 | 17471-92L00 | PANEL, PUMP CASE UNDER | 1 | |
| 11 | 17472-96303 | GASKET, PUMP CASE UNDER | 1 | |
| 12 | 56130-92L20-YAY | HOUSING, DRIVE SHAFT BEARING (BLACK) | 1 | |
| 13 | 09282-17L01 | .OIL SEAL (17X32X6) | 2 | |
| 14 | 09265-20015 | BEARING (20X42X15) | 1 | |
| 15 | 17432-96300 | GROMMET, WATER PUMP SEAL TUBE | 2 | |
| 16 | 17563-94400 | GROMMET, WATER TUBE, UPPER | 1 | |
| 17 | 17565-94400 | GROMMET, WATER TUBE, MIDDLE | 1 | |
| 18 | 17566-94400 | GROMMET, WATER TUBE, LOWER | 1 | |
| 19 | 17400-94412 | KIT, WATER PUMP REPAIR | 1 | OPT |



DT40W P40
 DT40W P90
 DT40WR P90

FIG.160B

FIG.160B (1-C-7) WATER PUMP (DT40WR P40)

| REF NO. | PART NO. | DESCRIPTION | Q'TY | REMARKS |
|---------|-----------------|--------------------------------------|------|------------------------|
| 1-1 | 17431-92L20 | TUBE, WATER PUMP SEAL (L) | 1 | W/TRANSOM(L) L:126 |
| 1-2 | 17431-92L00 | TUBE, WATER PUMP SEAL (L2) | 1 | W/TRANSOM(L2) L:173 |
| 2-1 | 17561-92L60 | TUBE, WATER (L) | 1 | W/TRANSOM(L) L:446 |
| 2-2 | 17561-92L70 | TUBE, WATER (L2) | 1 | W/TRANSOM(L2) L:493 |
| 3 | 17410-92L00 | CASE, WATER PUMP | 1 | |
| 4 | 29141-93J00 | NUT | 4 | |
| 5 | 29162-93J00 | LOCK WASHER | 4 | |
| 6 | 09108-06060 | STUD BOLT | 2 | |
| 7 | 09108-06061 | STUD BOLT | 2 | |
| 8 | 09420-04006 | KEY | 1 | |
| 9 | 17461-96312 | IMPELLER, WATER PUMP | 1 | |
| 10 | 17471-92L00 | PANEL, PUMP CASE UNDER | 1 | |
| 11 | 17472-96303 | GASKET, PUMP CASE UNDER | 1 | |
| 12 | 56130-92L20-YAY | HOUSING, DRIVE SHAFT BEARING (BLACK) | 1 | |
| 13 | 09282-17L01 | .OIL SEAL (17X32X6) | 2 | |
| 14 | 09265-20015 | BEARING (20X42X15) | 1 | |
| 15 | 17432-96300 | GROMMET, WATER PUMP SEAL TUBE | 2 | |
| 16 | 17563-94400 | GROMMET, WATER TUBE, UPPER | 1 | |
| 17 | 17565-94400 | GROMMET, WATER TUBE, MIDDLE | 1 | |
| 18 | 17566-94400 | GROMMET, WATER TUBE, LOWER | 1 | |
| 19 | 17400-94412 | KIT, WATER PUMP REPAIR | 1 | OPT |

DT40WR P40

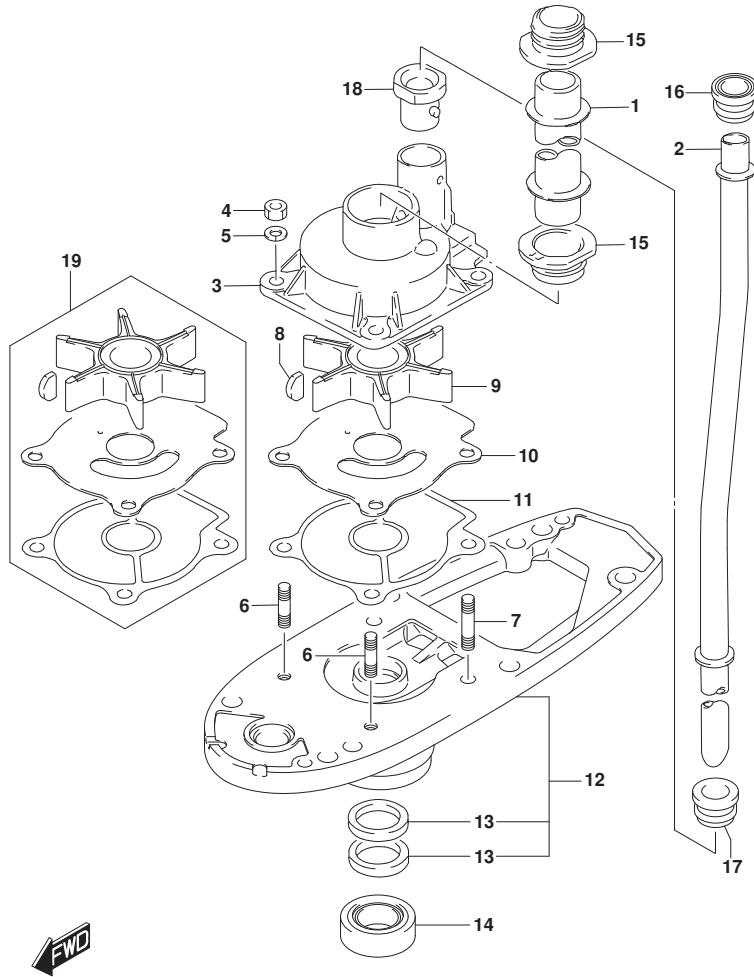


FIG.160C

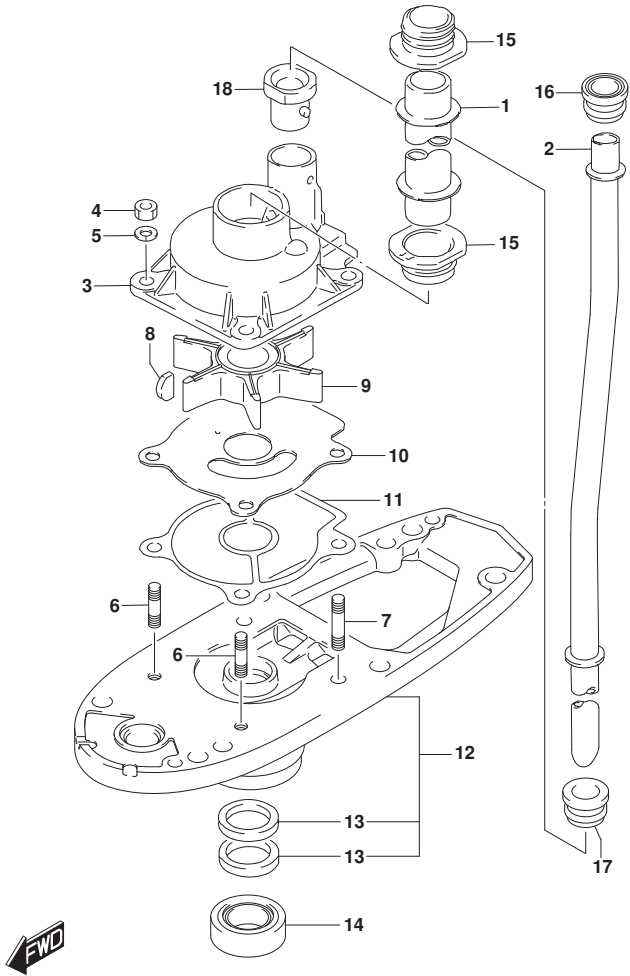


FIG.160C (1-C-8) WATER PUMP (DT40WK P40)

| REF NO. | PART NO. | DESCRIPTION | Q'TY | REMARKS |
|---------|-----------------|---|------|------------------------|
| 1-1 | 17431-92L10 | TUBE, WATER PUMP SEAL (S) | 1 | W/TRANSOM(S) L:21 |
| 1-2 | 17431-92L20 | TUBE, WATER PUMP SEAL (L) | 1 | W/TRANSOM(L) L:126 |
| 1-3 | 17431-92L00 | TUBE, WATER PUMP SEAL (L2) | 1 | W/TRANSOM(L2) L:173 |
| 2-1 | 17561-92L50 | TUBE, WATER (S) | 1 | W/TRANSOM(S) L:366 |
| 2-2 | 17561-92L60 | TUBE, WATER (L) | 1 | W/TRANSOM(L) L:446 |
| 2-3 | 17561-92L70 | TUBE, WATER (L2) | 1 | W/TRANSOM(L2) L:493 |
| 3 | 17410-92L00 | CASE, WATER PUMP | 1 | |
| 4 | 29141-93J00 | NUT | 4 | |
| 5 | 29162-93J00 | LOCK WASHER | 4 | |
| 6 | 09108-06060 | STUD BOLT | 2 | |
| 7 | 09108-06061 | STUD BOLT | 2 | |
| 8 | 09420-04006 | KEY | 1 | |
| 9 | 17461-96312 | IMPELLER, WATER PUMP | 1 | |
| 10 | 17471-92L00 | PANEL, PUMP CASE UNDER | 1 | |
| 11 | 17472-96303 | GASKET, PUMP CASE UNDER | 1 | |
| 12 | 56130-92L20-YAY | HOUSING, DRIVE SHAFT BEARING (BLACK) | 1 | |
| 13 | 09282-17L01 | .OIL SEAL (17X32X6) | 2 | |
| 14 | 09265-20015 | BEARING (20X42X15) | 1 | |
| 15 | 17432-96300 | GROMMET, WATER PUMP SEAL TUBE | 2 | |
| 16 | 17563-94400 | GROMMET, WATER TUBE, UPPER | 1 | |
| 17 | 17565-94400 | GROMMET, WATER TUBE, MIDDLE | 1 | |
| 18 | 17566-94400 | GROMMET, WATER TUBE, LOWER | 1 | |

DT40WK P40

FIG.166A

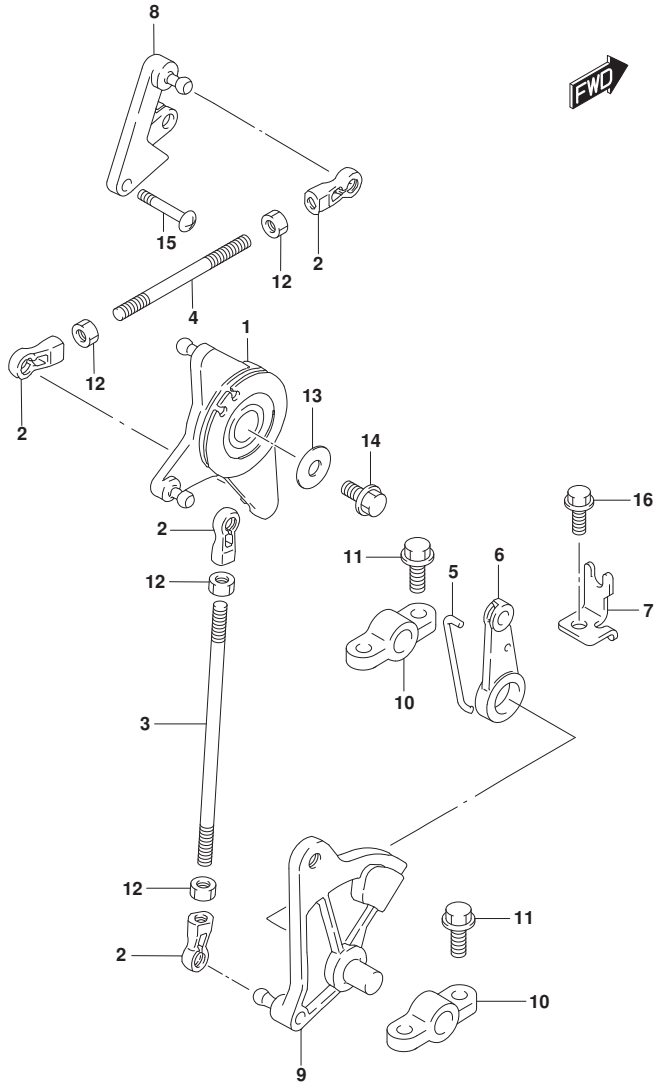


FIG.166A (1-C-9) THROTTLE CONTROL (DT40W)(DT40WR)

| REF NO. | PART NO. | DESCRIPTION | Q'TY | REMARKS |
|---------|-------------|---------------------------|------|---------|
| 1 | 19121-94400 | LEVER, THROTTLE CONTROL | 1 | |
| 2 | 19131-95502 | CONNECTOR | 4 | |
| 3 | 19135-94400 | ROD (LEVER TO LIMITER) | 1 | |
| 4 | 19136-95510 | ROD, THROTTLE | 1 | |
| 5 | 19654-94421 | ROD (CLUTCH TO NSI LEVER) | 1 | |
| 6 | 19851-94401 | LEVER, NSI | 1 | |
| 7 | 19861-92L00 | STAY, NSI CABLE | 1 | |
| 8 | 19522-94400 | LEVER, THROTTLE | 1 | |
| 9 | 19811-94400 | LIMITER, THROTTLE | 1 | |
| 10 | 19815-94400 | HOLDER, THROTTLE LIMITER | 2 | |
| 11 | 09116-06227 | BOLT (6X20) | 4 | |
| 12 | 09140-05005 | NUT | 4 | |
| 13 | 09160-06084 | WASHER (6.5X18X1.6) | 1 | |
| 14 | 01550-0612C | BOLT | 1 | |
| 15 | 02142-05307 | SCREW | 1 | |
| 16 | 01550-0612C | BOLT | 1 | |

DT40W P40
 DT40W P90
 DT40WR P40
 DT40WR P90

FIG.166B

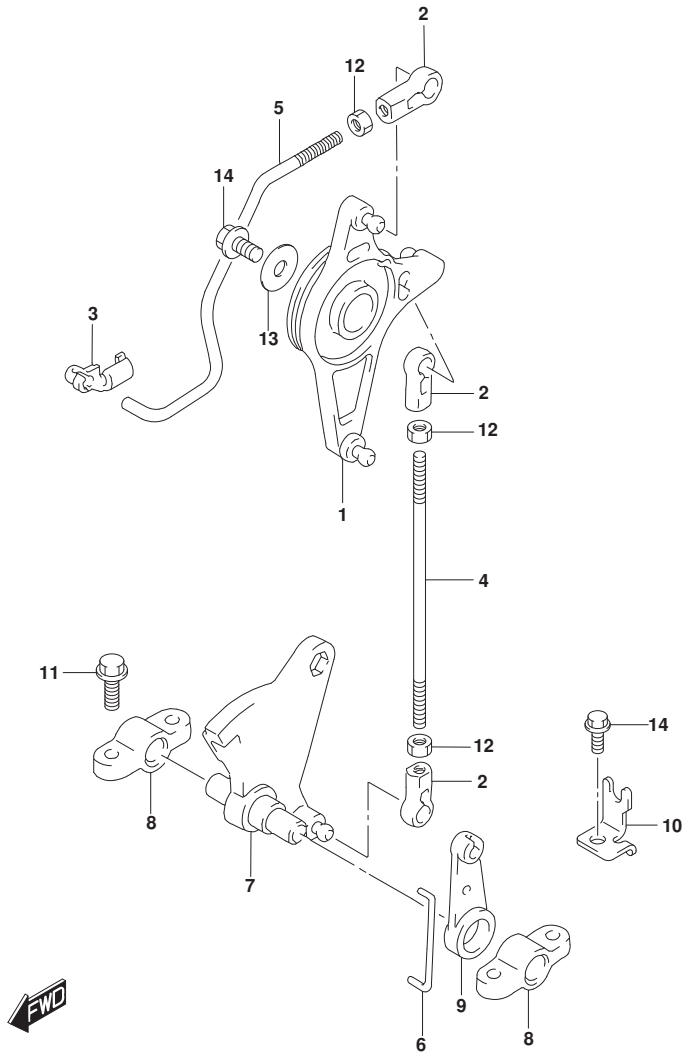


FIG.166B (1-C-10) THROTTLE CONTROL (DT40WK)

| REF NO. | PART NO. | DESCRIPTION | QTY | REMARKS |
|---------|-------------|--------------------------|-----|---------|
| 1 | 19121-94400 | LEVER, THROTTLE CONTROL | 1 | |
| 2 | 19131-95502 | CONNECTOR | 3 | |
| 3 | 19132-96300 | CONNECTOR, THROTTLE ROD | 1 | |
| 4 | 19135-94400 | ROD (LEVER TO LIMITER) | 1 | |
| 5 | 19136-94451 | ROD, THROTTLE | 1 | |
| 6 | 19654-94421 | ROD (CLUTCH TO NSI) | 1 | |
| 7 | 19811-94400 | LIMITER, THROTTLE | 1 | |
| 8 | 19815-94400 | HOLDER, THROTTLE LIMITER | 2 | |
| 9 | 19851-94401 | LEVER, NSI | 1 | |
| 10 | 19861-92L00 | STAY, NSI CABLE | 1 | |
| 11 | 09116-06227 | BOLT (6X20) | 4 | |
| 12 | 09140-05005 | NUT | 3 | |
| 13 | 09160-06084 | WASHER (6.5X18X1.6) | 1 | |
| 14 | 01550-0612C | BOLT | 2 | |

DT40WK P40

FIG.167A

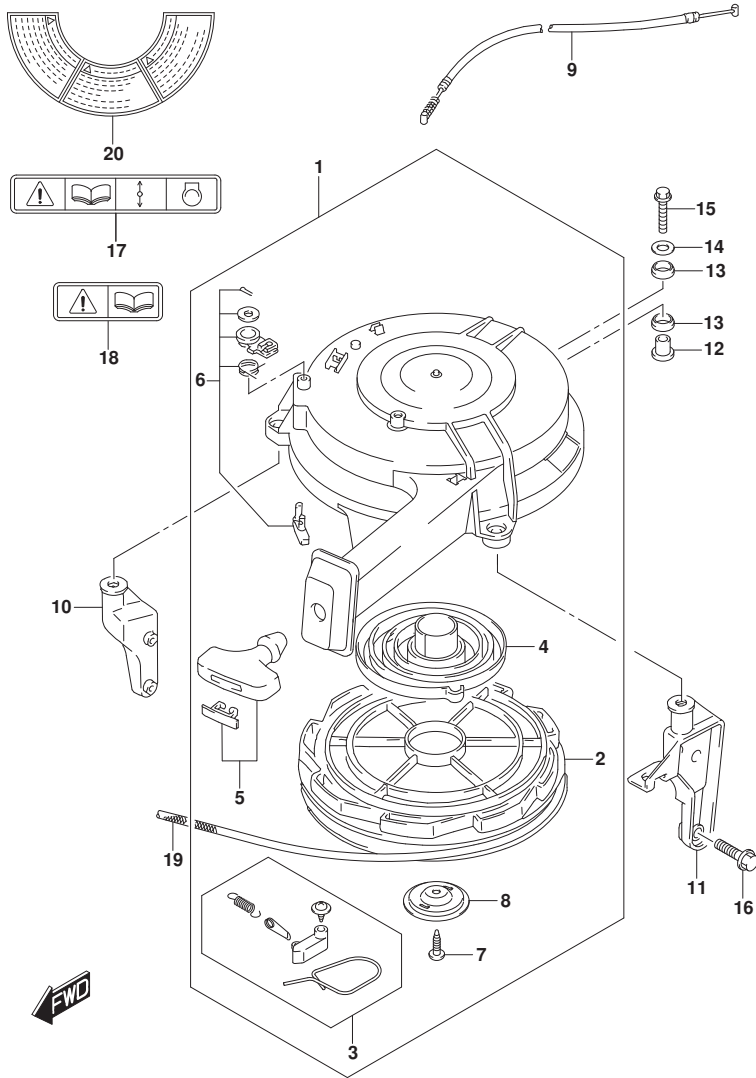
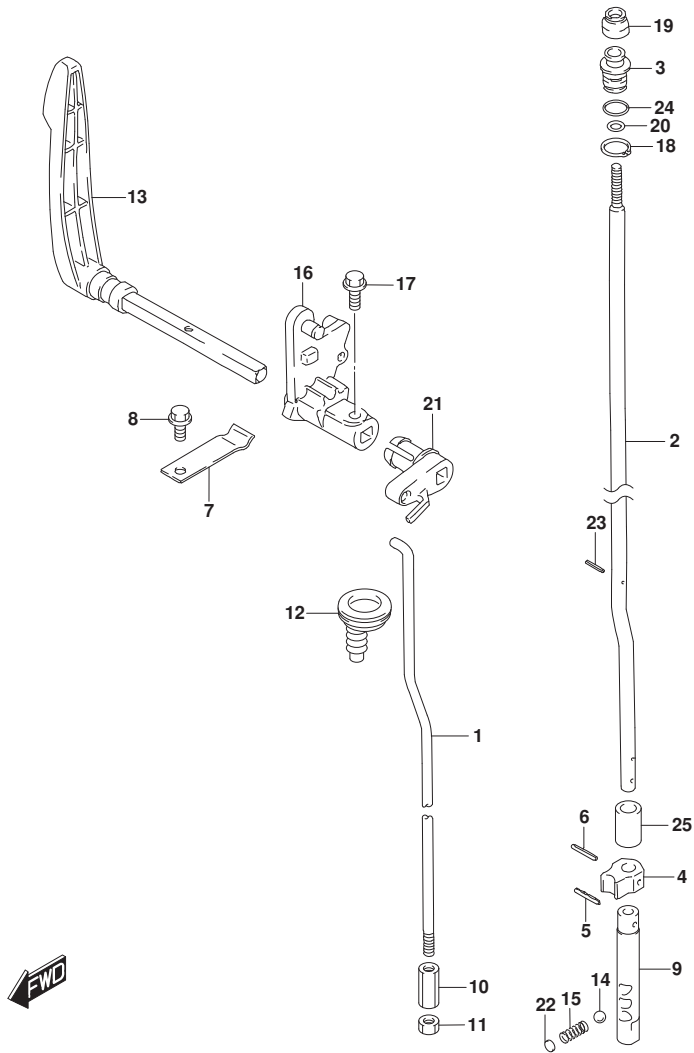


FIG.167A (1-C-11) RECOIL STARTER

| REF NO. | PART NO. | DESCRIPTION | QTY | REMARKS |
|---------|-----------------|---------------------------|-----|---------------|
| 1 | 18100-92L10 | STARTER ASSY, RECOIL | 1 | |
| 2 | 18120-96320 | .REEL | 1 | |
| 3 | 18130-91L00 | .RATCHET SET | 1 | |
| 4 | 18142-96300 | .SPRING, SPIRAL | 1 | |
| 5 | 18210-93002 | .GRIP | 1 | |
| 6 | 18280-96320 | .NSI SET | 1 | |
| 7 | 18132-89L00 | .SCREW | 1 | |
| 8 | 18151-96310 | .PLATE, FRICTION | 1 | |
| 9 | 18290-92L00 | CABLE, NSI | 1 | |
| 10 | 18711-92L10 | BRACE, STBD | 1 | |
| 11 | 18721-92L10 | BRACE, PORT | 1 | |
| 12 | 09180-08169 | SPACER (8.6X12X17) | 3 | |
| 13 | 09320-12059 | CUSHION | 6 | |
| 14 | 09160-08124 | WASHER (8.5X20X1.6) | 3 | |
| 15 | 01550-08357 | BOLT | 3 | |
| 16 | 01550-0625C | BOLT | 4 | |
| 17 | 69711-93E10 | LABEL, CAUTION (S.I.G.P.) | 1 | |
| 18 | 69712-93E10 | LABEL, CAUTION (S.I.G.P.) | 1 | |
| 19 | 99000-81159-50M | ROPE (L:50000) | 1 | OPT |
| 20 | 61472-94J00 | LABEL, RECOIL STARTER | 1 | L:50000->1750 |

FIG.201A

FIG.201A (1-C-12) CLUTCH (DT40W P40)(DT40W P90)(DT40WR P90)(DT40WK P40)



| REF NO. | PART NO. | DESCRIPTION | Q'TY | REMARKS |
|---------|-------------|------------------------|------|---------------|
| 1 | 23111-92L00 | ROD, CLUTCH | 1 | |
| 2-1 | 25111-92L50 | ROD, SHIFT (S) | 1 | W/TRANSOM(S) |
| 2-2 | 25111-92L60 | ROD, SHIFT (L) | 1 | W/TRANSOM(L) |
| 2-3 | 25111-92L70 | ROD, SHIFT (L2) | 1 | W/TRANSOM(L2) |
| 3 | 25211-92L00 | GUIDE, SHIFT ROD | 1 | |
| 4 | 25212-94401 | GUIDE, SHIFT ROD LOWER | 1 | |
| 5 | 09205-03021 | SPRING PIN (3.5X12) | 1 | |
| 6 | 09205-02013 | SPRING PIN (2.5X16) | 1 | |
| 7 | 23213-94400 | SPRING, CLUTCH NOTCH | 1 | |
| 8 | 01550-0612C | BOLT | 1 | |
| 9 | 25311-94402 | CAM SHIFT | 1 | |
| 10 | 23311-95J00 | CONNECTOR, CLUTCH ROD | 1 | |
| 11 | 29141-93J00 | NUT | 1 | |
| 12 | 23131-92L00 | BOOT, CLUTCH | 1 | |
| 13 | 21110-94402 | LEVER, CLUTCH | 1 | |
| 14 | 09260-10005 | BALL | 1 | |
| 15 | 09440-07078 | SPRING | 1 | |
| 16 | 21121-92L00 | PLATE, CLUTCH | 1 | |
| 17 | 01550-05167 | BOLT | 1 | |
| 18 | 08331-3115A | CIRCLIP | 1 | |
| 19 | 25223-94400 | SEAL, SHIFT ROD | 1 | |
| 20 | 09280-08005 | O RING (D:1.7,ID:7.7) | 1 | |
| 21 | 23211-94401 | ARM, CLUTCH ROD | 1 | |
| 22 | 21121-93300 | PLATE, CLUTCH NOTCH | 1 | |
| 23 | 09205-02004 | SPRING PIN (2.5X12) | 1 | |
| 24 | 09280-11001 | O RING (D:2.4,ID:10.8) | 1 | |
| 25 | 25232-96302 | MAGNET, GEAR CASE | 1 | |

DT40W P40
 DT40W P90
 DT40WR P90
 DT40WK P40

FIG.201B

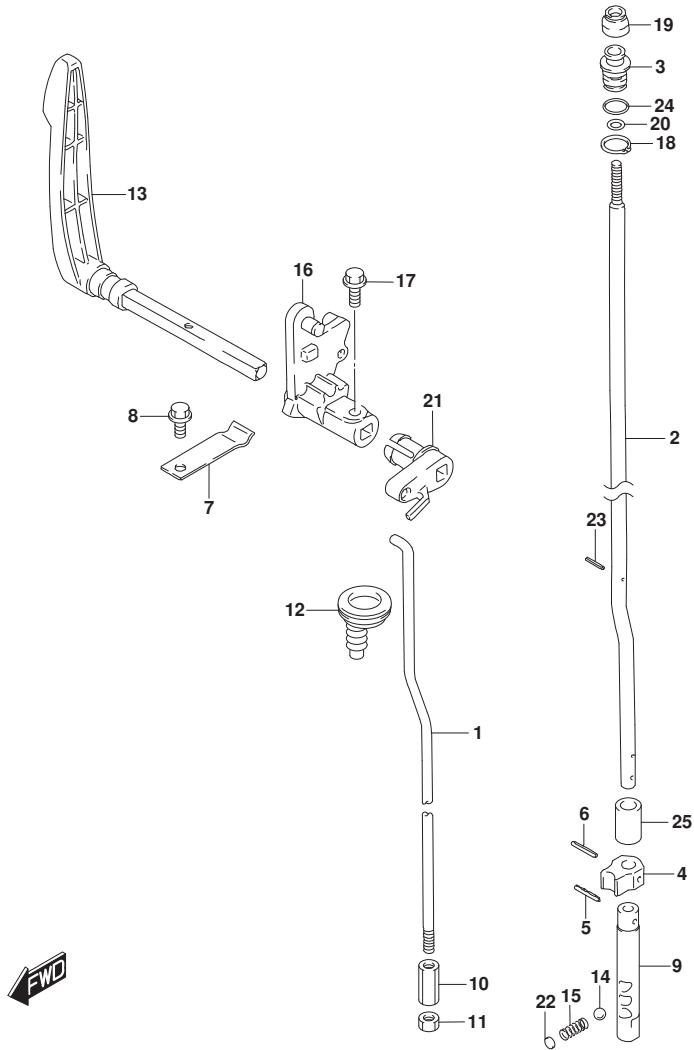


FIG.201B (1-C-13) CLUTCH (DT40WR P40)

| REF NO. | PART NO. | DESCRIPTION | Q'TY | REMARKS |
|---------|-------------|------------------------|------|---------------|
| 1 | 23111-92L00 | ROD, CLUTCH | 1 | |
| 2-1 | 25111-92L60 | ROD, SHIFT (L) | 1 | W/TRANSOM(L) |
| 2-2 | 25111-92L70 | ROD, SHIFT (L2) | 1 | W/TRANSOM(L2) |
| 3 | 25211-92L00 | GUIDE, SHIFT ROD | 1 | |
| 4 | 25212-94401 | GUIDE, SHIFT ROD LOWER | 1 | |
| 5 | 09205-03021 | SPRING PIN (3.5X12) | 1 | |
| 6 | 09205-02013 | SPRING PIN (2.5X16) | 1 | |
| 7 | 23213-94400 | SPRING, CLUTCH NOTCH | 1 | |
| 8 | 01550-0612C | BOLT | 1 | |
| 9 | 25311-94402 | CAM SHIFT | 1 | |
| 10 | 23311-95J00 | CONNECTOR, CLUTCH ROD | 1 | |
| 11 | 29141-93J00 | NUT | 1 | |
| 12 | 23131-92L00 | BOOT, CLUTCH | 1 | |
| 13 | 21110-94402 | LEVER, CLUTCH | 1 | |
| 14 | 09260-10005 | BALL | 1 | |
| 15 | 09440-07078 | SPRING | 1 | |
| 16 | 21121-92L00 | PLATE, CLUTCH | 1 | |
| 17 | 01550-05167 | BOLT | 1 | |
| 18 | 08331-3115A | CIRCLIP | 1 | |
| 19 | 25223-94400 | SEAL, SHIFT ROD | 1 | |
| 20 | 09280-08005 | O RING (D:1.7,ID:7.7) | 1 | |
| 21 | 23211-94401 | ARM, CLUTCH ROD | 1 | |
| 22 | 21121-93300 | PLATE, CLUTCH NOTCH | 1 | |
| 23 | 09205-02004 | SPRING PIN (2.5X12) | 1 | |
| 24 | 09280-11001 | O RING (D:2.4,ID:10.8) | 1 | |
| 25 | 25232-96302 | MAGNET, GEAR CASE | 1 | |

DT40WR P40

FIG.220A

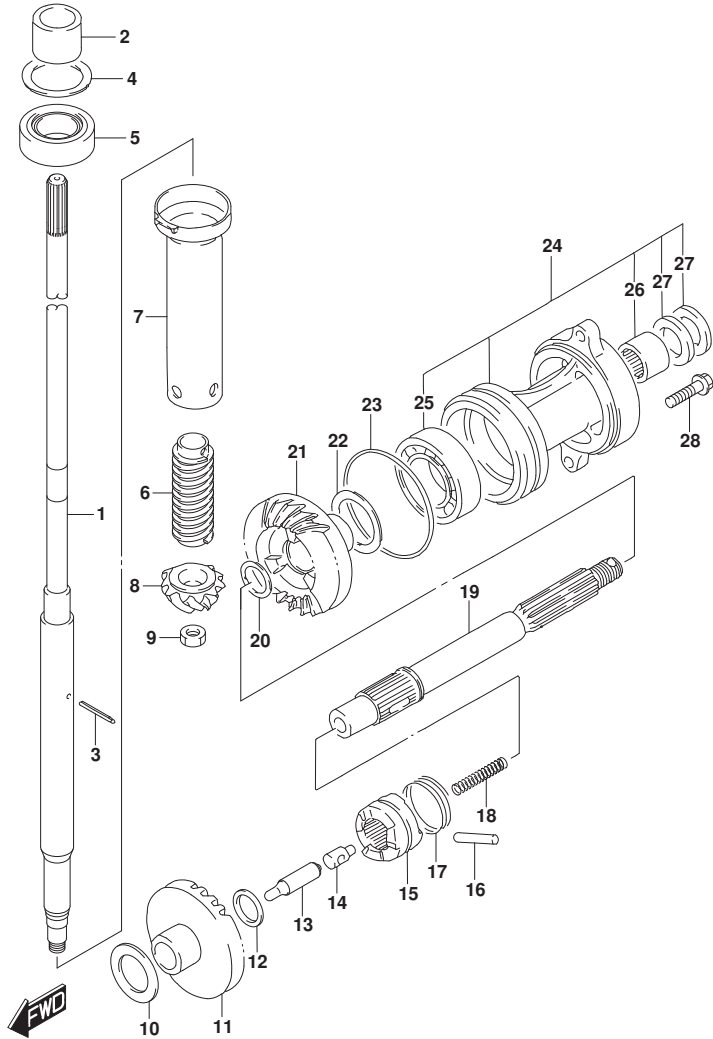


FIG.220A (1-C-14) TRANSMISSION (DT40W P40)(DT40W P90)(DT40WR P90)(DT40WK P40)

| REF NO. | PART NO. | DESCRIPTION | QTY | REMARKS |
|---------|-------------|-----------------------------|-----|-------------------------------|
| 1-1 | 57110-92L60 | SHAFT, DRIVE (S) | 1 | W/TRANSOM(S) |
| 1-2 | 57110-92L70 | SHAFT, DRIVE (L) | 1 | W/TRANSOM(L) |
| 1-3 | 57110-92L50 | SHAFT, DRIVE (L2) | 1 | W/TRANSOM(L2) |
| 2 | 57130-94301 | BUSH, DRIVE SHAFT | 1 | W/TRANSOM(L) W/TRANSOM(L2) |
| 3 | 09205-03019 | SPRING PIN (3X10) | 1 | |
| 4-1 | 09181-35101 | SHIM (T:0.50) | AR | |
| 4-2 | 09181-33001 | SHIM (T:0.55) | AR | |
| 4-3 | 09181-33002 | SHIM (T:0.60) | AR | |
| 4-4 | 09181-33003 | SHIM (T:0.65) | AR | |
| 4-5 | 09181-33004 | SHIM (T:0.70) | AR | |
| 4-6 | 09181-33005 | SHIM (T:0.75) | AR | |
| 4-7 | 09181-33006 | SHIM (T:0.80) | AR | |
| 4-8 | 09181-33007 | SHIM (T:0.85) | AR | |
| 4-9 | 09181-33008 | SHIM (T:0.90) | AR | |
| 4-10 | 09181-33009 | SHIM (T:0.95) | AR | |
| 4-11 | 09181-35110 | SHIM (T:1.00) | AR | |
| 5 | 09265-20015 | BEARING (20X42X15) | 1 | |
| 6 | 57133-88L01 | COLLAR, DRIVE SHAFT | 1 | |
| 7 | 57133-92L00 | HOUSING, DRIVE SHAFT SPRING | 1 | |
| 8 | 57311-94410 | PINION (NT:11) | 1 | |
| 9 | 09140-12034 | NUT | 1 | |
| 10-1 | 09181-30186 | SHIM (T:0.5) | AR | |
| 10-2 | 09181-30187 | SHIM (T:0.6) | AR | |
| 10-3 | 09181-30188 | SHIM (T:0.7) | AR | |
| 10-4 | 09181-30190 | SHIM (T:0.8) | AR | |
| 10-5 | 09181-30192 | SHIM (T:0.9) | AR | |
| 11 | 57510-94410 | GEAR, FORWARD (NT:23) | 1 | |
| 12 | 08211-20263 | THRUST WASHER | AR | |
| 13 | 57631-95303 | ROD, PUSH | 1 | |
| 14 | 57634-88L00 | PIN | 1 | |
| 15 | 57621-92L10 | SHIFTER, CLUTCH DOG | 1 | |
| 16 | 09202-05022 | PIN (5.5X38.5) | 1 | |
| 17 | 09440-40002 | SPRING | 1 | |

FIG.220A

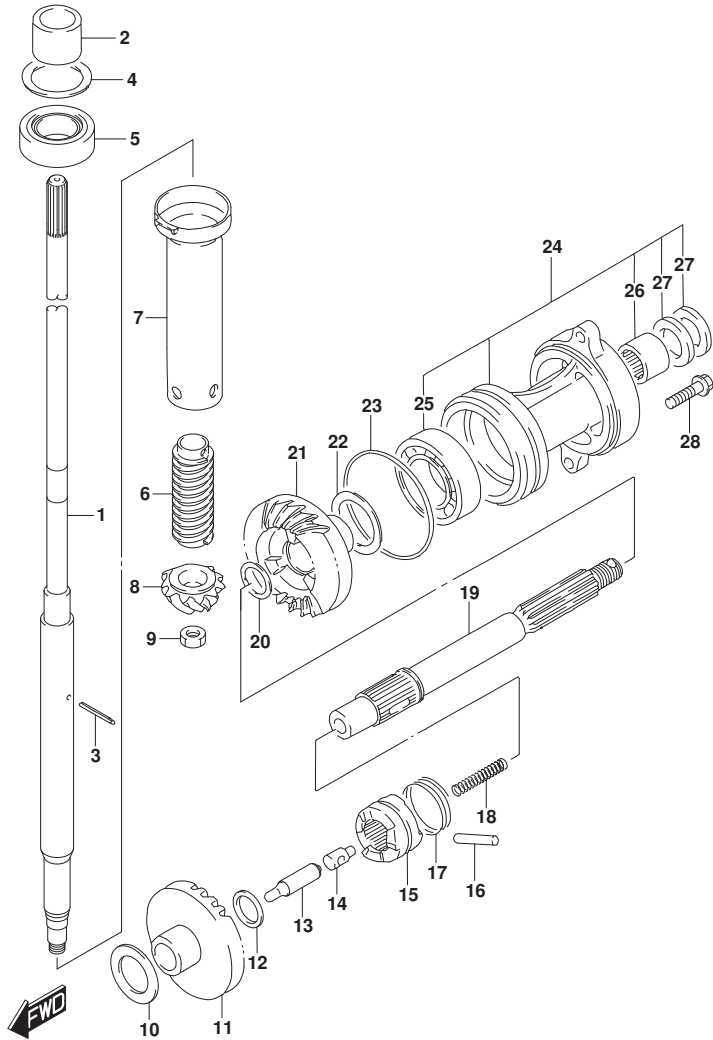


FIG.220A (1-C-15) TRANSMISSION (DT40W P40)(DT40W P90)(DT40WR P90)(DT40WK P40)

| REF NO. | PART NO. | DESCRIPTION | QTY | REMARKS |
|---------|-----------------|--------------------------------------|-----|---------|
| 18 | 09440-08043 | SPRING | 1 | |
| 19 | 57610-92L10 | SHAFT, PROPELLER | 1 | |
| 20-1 | 09160-22018 | WASHER (T:1.8) | AR | |
| 20-2 | 09160-22019 | WASHER (T:1.9) | AR | |
| 20-3 | 09160-22020 | WASHER (T:2.0) | AR | |
| 20-4 | 09160-22021 | WASHER (T:2.1) | AR | |
| 20-5 | 09160-22022 | WASHER (T:2.2) | AR | |
| 20-6 | 09160-22023 | WASHER (T:2.3) | AR | |
| 21 | 57521-94401 | GEAR, REVERSE (NT:23) | 1 | |
| 22-1 | 08221-35455 | SHIM (T:0.5) | AR | |
| 22-2 | 09181-35131 | SHIM (T:0.6) | AR | |
| 22-3 | 09181-35132 | SHIM (T:0.7) | AR | |
| 22-4 | 08221-35456 | SHIM (T:0.8) | AR | |
| 22-5 | 09181-35136 | SHIM (T:0.9) | AR | |
| 22-6 | 08211-35451 | WASHER (T:1.0) | AR | |
| 23 | 09280-75001 | O RING (D:3.3, ID:75) | 1 | |
| 24 | 56120-92L10-YAY | HOUSING, PROPELLER SHAFT BRG (BLACK) | 1 | |
| 25 | 09262-35070 | .BEARING (35X62X14) | 1 | |
| 26 | 09263-22020 | .BEARING (22.2X28.5X19) | 1 | |
| 27 | 09289-22L01 | .OIL SEAL (22X35X5) | 2 | |
| 28 | 09116-08151 | BOLT (8X30) | 2 | |

DT40W P40
 DT40W P90
 DT40WR P90
 DT40WK P40

FIG.220B

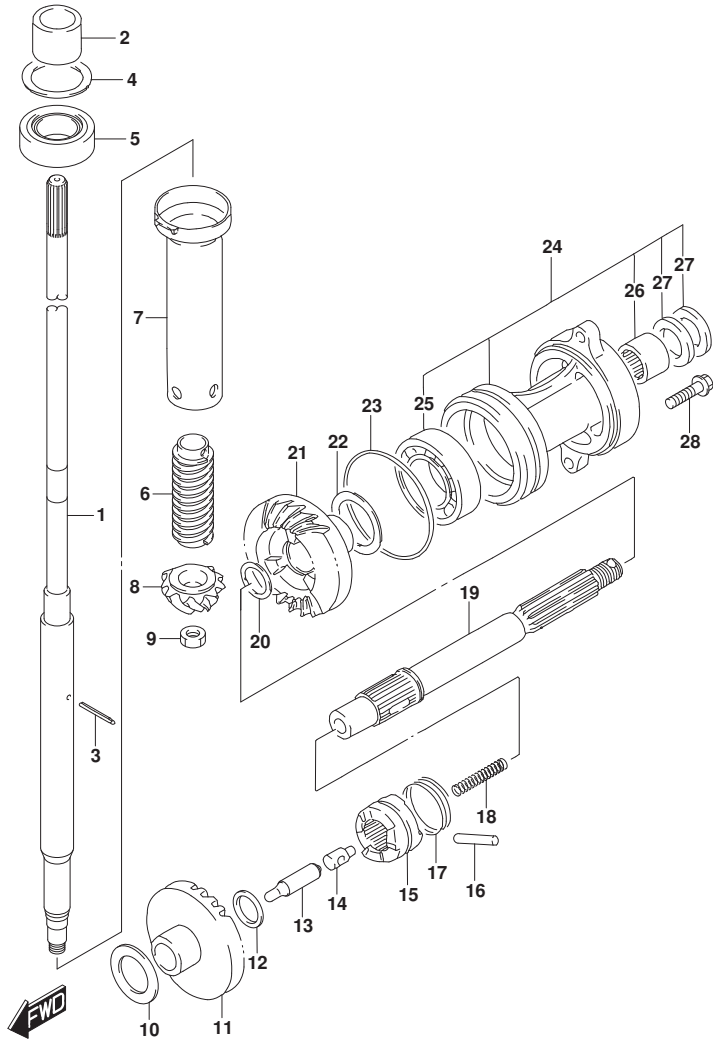


FIG.220B (1-D-3) TRANSMISSION (DT40WR P40)

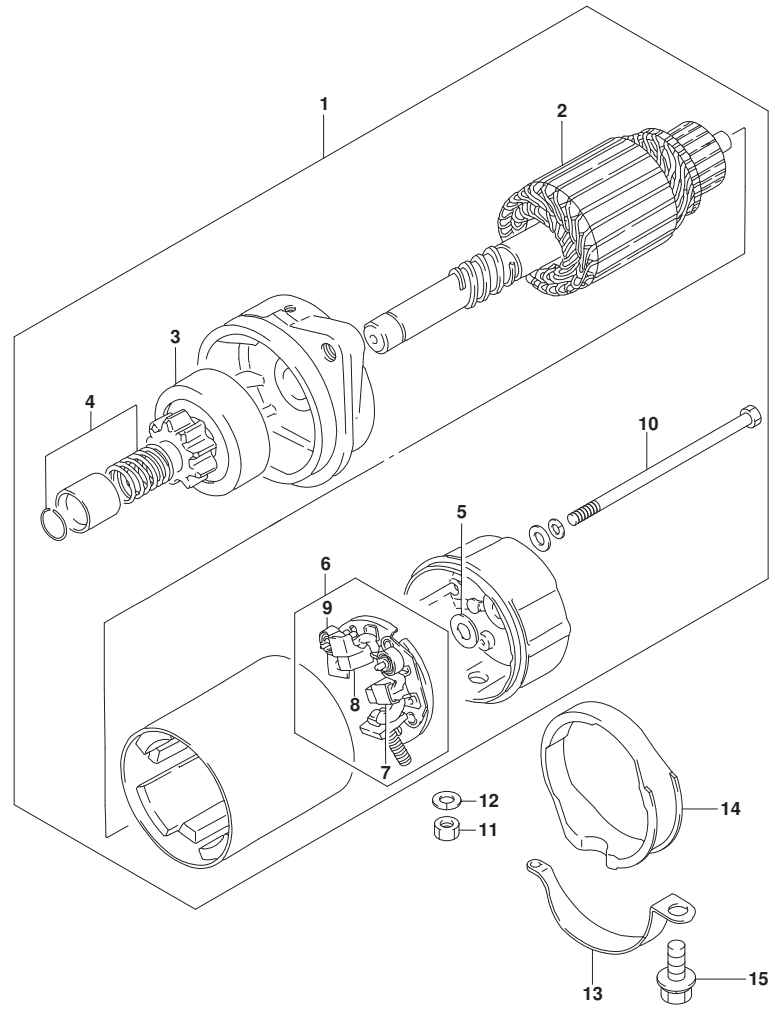
| REF NO. | PART NO. | DESCRIPTION | Q'TY | REMARKS |
|---------|-----------------|---|------|---------|
| | 19 | SHAFT, PROPELLER | 1 | |
| 20-1 | 09160-22018 | WASHER (T:1.8) | AR | |
| 20-2 | 09160-22019 | WASHER (T:1.9) | AR | |
| 20-3 | 09160-22020 | WASHER (T:2.0) | AR | |
| 20-4 | 09160-22021 | WASHER (T:2.1) | AR | |
| 20-5 | 09160-22022 | WASHER (T:2.2) | AR | |
| 20-6 | 09160-22023 | WASHER (T:2.3) | AR | |
| 21 | 57521-94401 | GEAR, REVERSE (NT:23) | 1 | |
| 22-1 | 08221-35455 | SHIM (T:0.5) | AR | |
| 22-2 | 09181-35131 | SHIM (T:0.6) | AR | |
| 22-3 | 09181-35132 | SHIM (T:0.7) | AR | |
| 22-4 | 08221-35456 | SHIM (T:0.8) | AR | |
| 22-5 | 09181-35136 | SHIM (T:0.9) | AR | |
| 22-6 | 08211-35451 | WASHER (T:1.0) | AR | |
| 23 | 09280-75001 | O RING (D:3.3,ID:75) | 1 | |
| 24 | 56120-92L10-YAY | HOUSING, PROPELLER SHAFT BRG (BLACK) | 1 | |
| 25 | 09262-35070 | .BEARING (35X62X14) | 1 | |
| 26 | 09263-22020 | .BEARING (22.2X28.5X19) | 1 | |
| 27 | 09289-22L01 | .OIL SEAL (22X35X5) | 2 | |
| 28 | 09116-08151 | BOLT (8X30) | 2 | |

DT40WR P40

FIG.301A

FIG.301A (1-D-4) STARTING MOTOR (ELECTRIC STARTER)

| REF NO. | PART NO. | DESCRIPTION | Q'TY | REMARKS |
|---------|-------------|----------------------|------|---------|
| 1 | 31100-94401 | MOTOR ASSY, STARTING | 1 | |
| 2 | 31310-96300 | .ARMATURE | 1 | |
| 3 | 31320-94400 | .PINION ASSY | 1 | |
| 4 | 31312-96300 | .STOPPER SET, PINION | 1 | |
| 5 | 31360-96300 | .WASHER SET | 1 | |
| 6 | 31173-89J00 | .HOLDER ASSY, BRUSH | 1 | |
| 7 | 31131-96300 | ..BRUSH (+) | 1 | |
| 8 | 31132-96300 | ..BRUSH (-) | 1 | |
| 9 | 31135-89J00 | ..SPRING, BRUSH | 2 | |
| 10 | 31281-93340 | .BOLT | 2 | |
| 11 | 08310-00067 | NUT | 1 | |
| 12 | 08321-01067 | LOCK WASHER | 1 | |
| 13 | 31912-92L00 | BAND, STARTING MOTOR | 1 | |
| 14 | 31918-94401 | DAMPER, LOWER | 1 | |
| 15 | 01550-08257 | BOLT | 1 | |



DT40W P40
 DT40W P90
 DT40WR P40
 DT40WR P90

FIG.303A

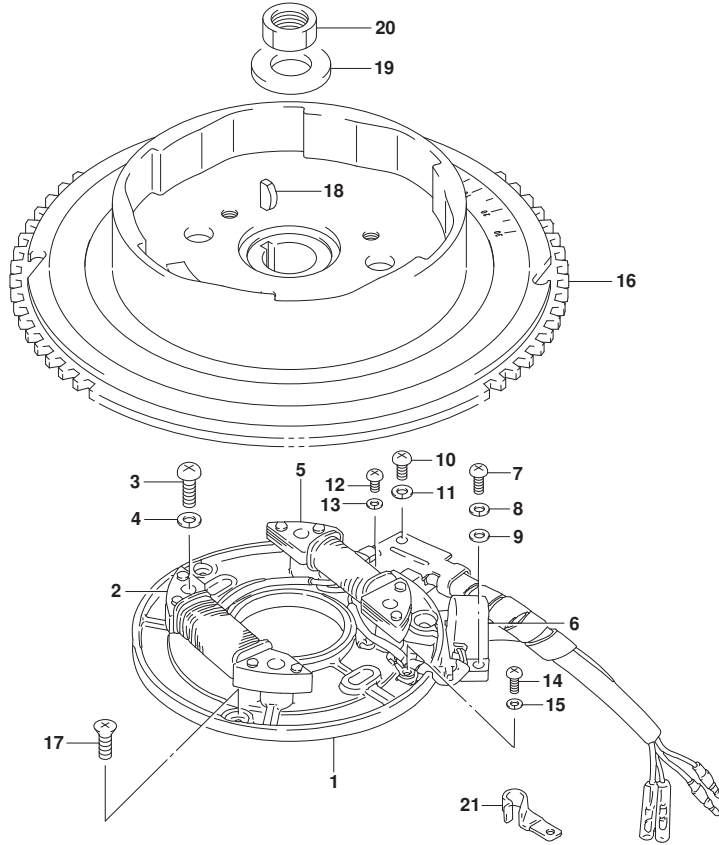


FIG.303A (1-D-5) MAGNETO (ELECTRIC STARTER) (DT40W)(DT40WR)

| REF NO. | PART NO. | DESCRIPTION | Q'TY | REMARKS |
|---------|-------------|-------------------------|------|---------|
| 1 | 32101-92L10 | STARTER ASSY | 1 | |
| 2 | 32120-94420 | COIL, LIGHTING | 1 | |
| 3 | 02112-06257 | SCREW | 4 | |
| 4 | 08321-01067 | LOCK WASHER | 4 | |
| 5 | 32140-94400 | COIL, IGNITION PRIMARY | 1 | |
| 6 | 32150-94410 | SENSOR, IGNITION TIMING | 1 | |
| 7 | 02112-05107 | SCREW | 2 | |
| 8 | 08322-01057 | WASHER | 2 | |
| 9 | 08321-0105A | LOCK WASHER | 2 | |
| 10 | 02112-05107 | SCREW | 1 | |
| 11 | 08321-0105A | LOCK WASHER | 1 | |
| 12 | 02112-04087 | SCREW | 1 | |
| 13 | 08321-01047 | LOCK WASHER | 1 | |
| 14 | 02112-04067 | SCREW | 2 | |
| 15 | 08321-01047 | LOCK WASHER | 2 | |
| 16 | 32102-92L00 | FLYWHEEL | 1 | |
| 17 | 09138-05011 | SCREW (5X14) | 2 | |
| 18 | 08341-31059 | KEY | 1 | |
| 19 | 09160-18011 | WASHER (18.5X35X4) | 1 | |
| 20 | 09140-18014 | NUT | 1 | |
| 21 | 09403-10312 | CLAMP | 1 | |

DT40W P40
 DT40W P90
 DT40WR P40
 DT40WR P90



FIG.303C

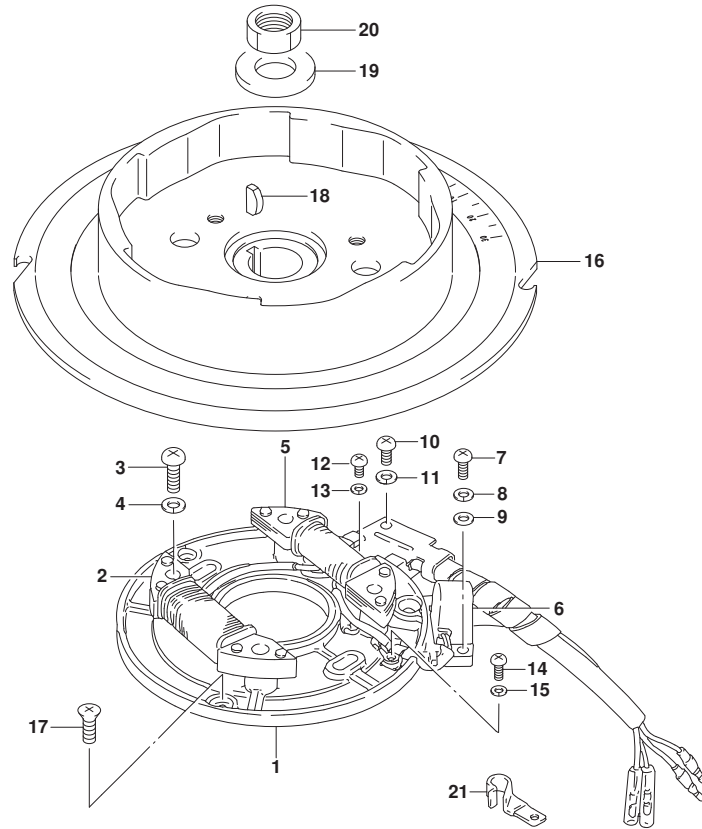


FIG.303C (1-D-7) MAGNETO (DT40WK)

| REF NO. | PART NO. | DESCRIPTION | Q'TY | REMARKS |
|---------|-------------|-------------------------|------|---------|
| 1 | 32101-92L10 | STARTER ASSY | 1 | |
| 2 | 32120-94420 | COIL, LIGHTING | 1 | |
| 3 | 02112-06257 | SCREW | 4 | |
| 4 | 08321-01067 | LOCK WASHER | 4 | |
| 5 | 32140-94400 | COIL, IGNITION PRIMARY | 1 | |
| 6 | 32150-94410 | SENSOR, IGNITION TIMING | 1 | |
| 7 | 02112-05107 | SCREW | 2 | |
| 8 | 08322-01057 | WASHER | 2 | |
| 9 | 08321-0105A | LOCK WASHER | 2 | |
| 10 | 02112-05107 | SCREW | 1 | |
| 11 | 08321-0105A | LOCK WASHER | 1 | |
| 12 | 02112-04087 | SCREW | 1 | |
| 13 | 08321-01047 | LOCK WASHER | 1 | |
| 14 | 02112-04067 | SCREW | 2 | |
| 15 | 08321-01047 | LOCK WASHER | 2 | |
| 16 | 32102-92L40 | FLYWHEEL | 1 | |
| 17 | 09138-05011 | SCREW (5X14) | 2 | |
| 18 | 08341-31059 | KEY | 1 | |
| 19 | 09160-18011 | WASHER (18.5X35X4) | 1 | |
| 20 | 09140-18014 | NUT | 1 | |
| 21 | 09403-10312 | CLAMP | 1 | |

DT40WK P40



FIG.308A

FIG.308A (1-D-8) IGNITION (ELECTRIC STARTER) (DT40W)(DT40WR)

| REF NO. | PART NO. | DESCRIPTION | Q'TY | REMARKS |
|---------|-------------|------------------------------|------|------------|
| 1 | 32900-92L20 | CDI UNIT | 1 | |
| 2 | 01550-06127 | BOLT | 2 | |
| 3 | 29404-93J10 | CLAMP | 1 | |
| 4 | 33833-91J00 | TUBE | 1 | L:250->100 |
| 5 | 09407-10404 | CLAMP (L:100) | 2 | |
| 6 | 33510-95520 | CAP, SPARK PLUG | 2 | |
| 7 | 09482-00370 | SPARK PLUG (BR8HS-10) | 2 | NGK |
| 8 | 32950-92L00 | HOLDER, CDI/CONTROL UNIT | 1 | |
| 9 | 01550-06127 | BOLT | 2 | |
| 10 | 09160-06084 | WASHER (6.5X18X1.6) | 2 | |
| 11 | 09160-12007 | WASHER (12.5X26X1.6) | 2 | |
| 12 | 09320-12011 | CUSHION | 2 | |
| 13 | 32890-94401 | HOLDER, ELECTRIC PARTS | 1 | |
| 14 | 01550-06127 | BOLT | 2 | |
| 15 | 09160-06084 | WASHER (6.5X18X1.6) | 2 | |
| 16 | 09160-12007 | WASHER (12.5X26X1.6) | 2 | |
| 17 | 09320-12011 | CUSHION | 2 | |
| 18 | 32891-94401 | COVER, ELECTRIC PARTS HOLDER | 1 | |
| 19 | 03212-0512B | SCREW | 3 | |
| 20 | 31800-94401 | RELAY ASSY, STARTING MOTOR | 1 | |
| 21 | 08310-00067 | NUT | 2 | |
| 22 | 08321-01067 | LOCK WASHER | 2 | |
| 23 | 32919-92L00 | CLAMP, HIGH TENSION CORD | 1 | |
| 24 | 33410-92L10 | COIL, IGNITION | 1 | |
| 25 | 01550-0620C | BOLT | 2 | |
| 26 | 32916-92L10 | COVER, CONNECTOR | 1 | |

DT40W P40
 DT40W P90
 DT40WR P40
 DT40WR P90

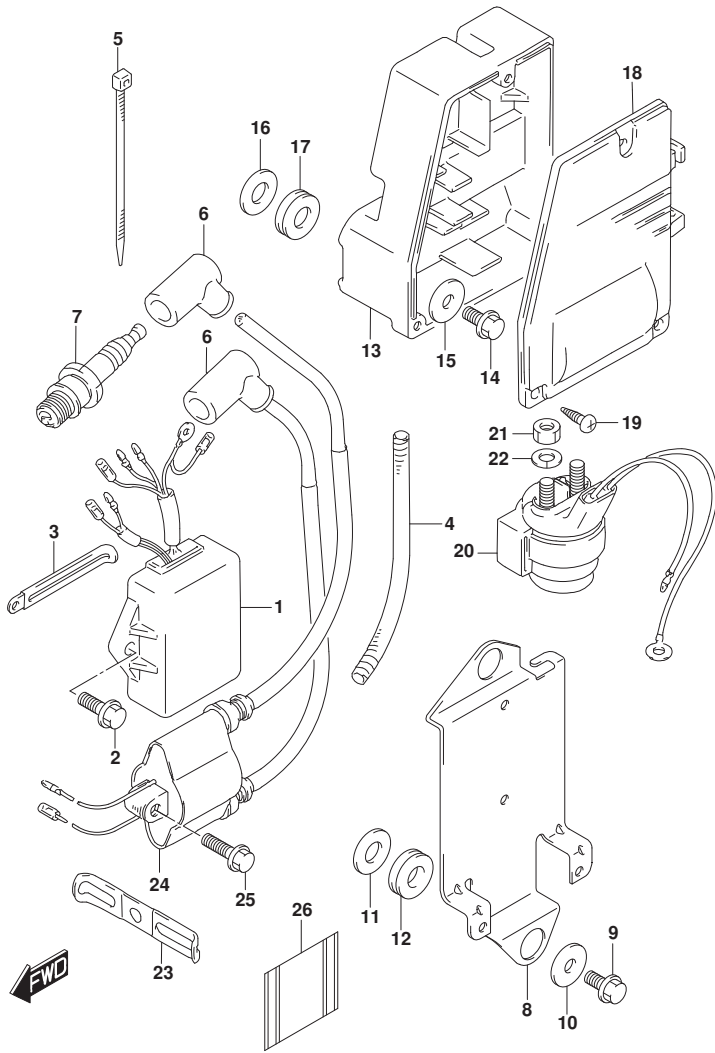


FIG.308B

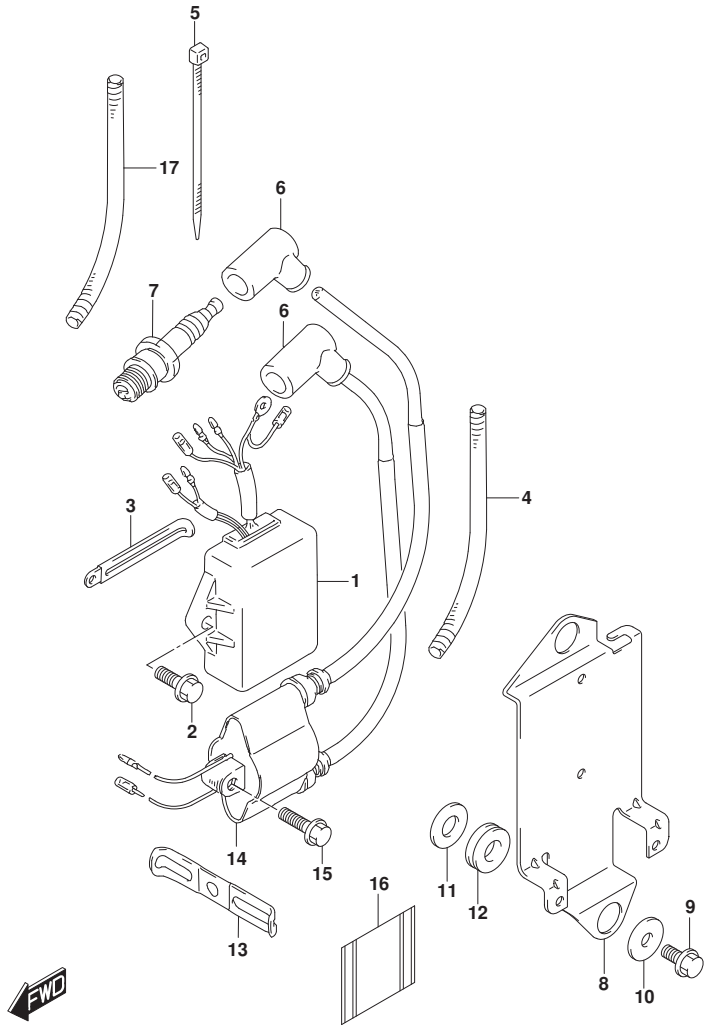


FIG.308B (1-D-9) IGNITION (MANUAL STARTER) (DT40W)

| REF NO. | PART NO. | DESCRIPTION | Q'TY | REMARKS |
|---------|-------------|--------------------------|------|------------|
| 1 | 32900-92L20 | CDI UNIT | 1 | |
| 2 | 01550-06127 | BOLT | 2 | |
| 3 | 29404-93J10 | CLAMP | 1 | |
| 4 | 33833-91J00 | TUBE | 1 | L:250->100 |
| 5 | 09407-10404 | CLAMP (L:100) | 2 | |
| 6 | 33510-95520 | CAP, SPARK PLUG | 2 | |
| 7 | 09482-00370 | SPARK PLUG (BR8HS-10) | 2 | NGK |
| 8 | 32950-92L00 | HOLDER, CDI/CONTROL UNIT | 1 | |
| 9 | 01550-06127 | BOLT | 2 | |
| 10 | 09160-06084 | WASHER (6.5X18X1.6) | 2 | |
| 11 | 09160-12007 | WASHER (12.5X26X1.6) | 2 | |
| 12 | 09320-12011 | CUSHION | 2 | |
| 13 | 32919-92L00 | CLAMP, HIGH TENSION CORD | 1 | |
| 14 | 33410-92L10 | COIL, IGNITION | 1 | |
| 15 | 01550-0620C | BOLT | 2 | |
| 16 | 32916-92L10 | COVER, CONNECTOR | 1 | |
| 17 | 33833-91J00 | TUBE | 1 | L:250->100 |

DT40W P40
DT40W P90

FIG.309A

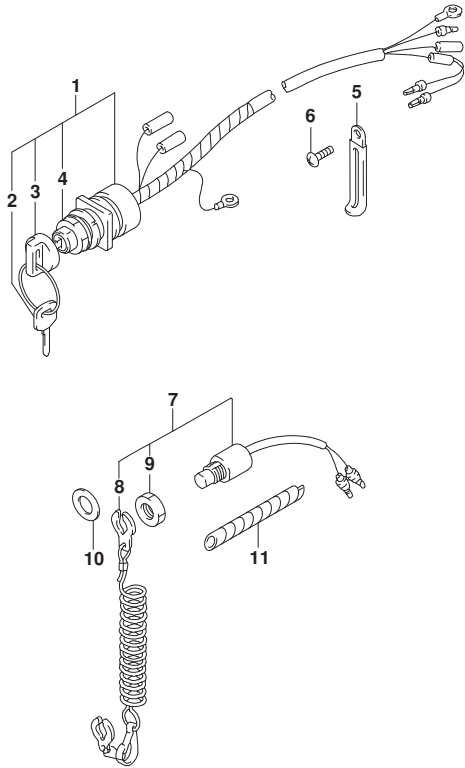


FIG.309A (1-D-11) IGNITION SWITCH (ELECTRIC STARTER) (DT40W)

| REF NO. | PART NO. | DESCRIPTION | Q'TY | REMARKS |
|---------|-------------|-------------------------------|------|------------|
| 1 | 37110-94471 | SWITCH ASSY, IGNITION | 1 | |
| 2-1 | 37141-99EA0 | .KEY (941) | 1 | |
| 2-2 | 37141-99EB0 | .KEY (942) | 1 | |
| 2-3 | 37141-99E00 | .KEY (931) | 1 | |
| 2-4 | 37141-99E10 | .KEY (932) | 1 | |
| 2-5 | 37141-99E20 | .KEY (933) | 1 | |
| 2-6 | 37141-99E30 | .KEY (934) | 1 | |
| 2-7 | 37141-99E40 | .KEY (935) | 1 | |
| 2-8 | 37141-99E50 | .KEY (936) | 1 | |
| 2-9 | 37141-99E60 | .KEY (937) | 1 | |
| 2-10 | 37141-99E70 | .KEY (938) | 1 | |
| 2-11 | 37141-99E80 | .KEY (939) | 1 | |
| 2-12 | 37141-99E90 | .KEY (940) | 1 | |
| 3 | 37143-99E00 | .CAP, KEY | 1 | |
| 4 | 37149-93J00 | .CAP, CYLINDER BODY | 1 | |
| 5 | 29404-93J10 | CLAMP | 1 | |
| 6 | 02142-06127 | SCREW | 1 | |
| 7 | 37830-92L02 | SWITCH ASSY, EMERGENCY & STOP | 1 | |
| 8 | 37823-97J00 | .PLATE, LOCK | 1 | |
| 9 | 37826-97J00 | .NUT | 1 | |
| 10 | 09160-25069 | WASHER (25X40X1.1) | 1 | |
| 11 | 33833-91J00 | TUBE (L:250) | 1 | L:250->100 |

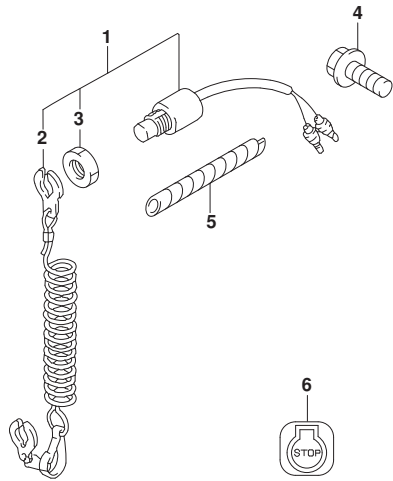
DT40W P40
DT40W P90



FIG.309B

FIG.309B (1-D-12) IGNITION SWITCH (MANUAL STARTER) (DT40W)(DT40WK)

| REF NO. | PART NO. | DESCRIPTION | Q'TY | REMARKS |
|---------|-----------------|-------------------------------|------|------------|
| 1 | 37830-92L02 | SWITCH ASSY, EMERGENCY & STOP | 1 | |
| 2 | 37823-97J00 | .PLATE, LOCK | 1 | |
| 3 | 37826-97J00 | .NUT | 1 | |
| 4 | 01550-06127 | BOLT | 1 | |
| 5 | 33833-91J00 | TUBE (L:250) | 1 | L:250->100 |
| 6 | 37835-91J00-YAY | LABEL, STOP (BLACK) | 1 | |



DT40W P40
 DT40W P90
 DT40WK P40



FIG.309C

FIG.309C (1-D-13) IGNITION SWITCH (ELECTRIC STARTER) (DT40WR)

| REF NO. | PART NO. | DESCRIPTION | Q'TY | REMARKS |
|---------|-------------|----------------------|------|---------|
| 1 | 36610-94411 | HARNESS ASSY, WIRING | 1 | |
| 2 | 36612-94421 | GROMMET | 1 | |
| 3 | 09407-12402 | CLAMP (L:120) | 1 | |
| 4 | 38600-94400 | SOLENOID ASSY, CHOKE | 1 | |
| 5 | 02112-35127 | SCREW | 2 | |

DT40WR P40
DT40WR P90

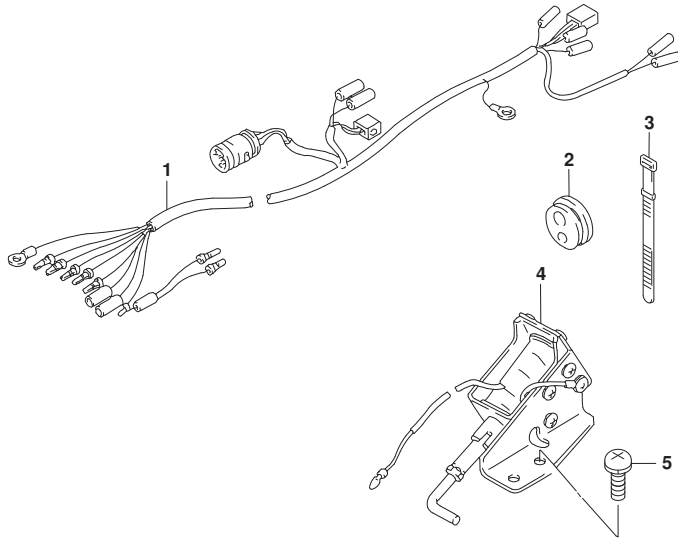


FIG.319A

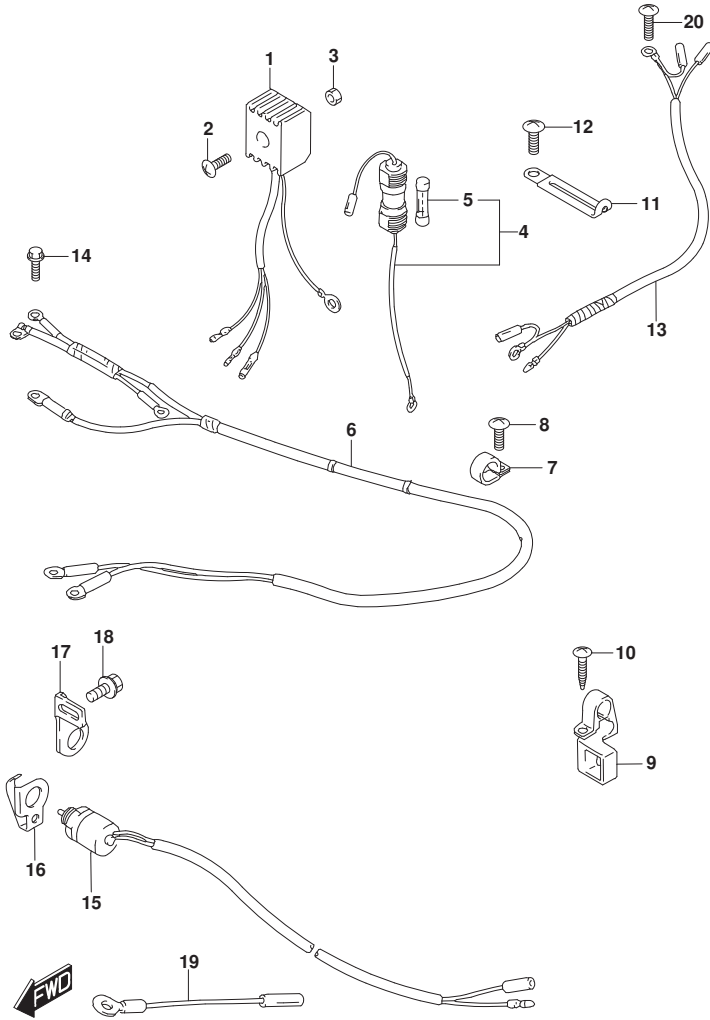


FIG.319A (1-D-14) ELECTRICAL (DT40W)

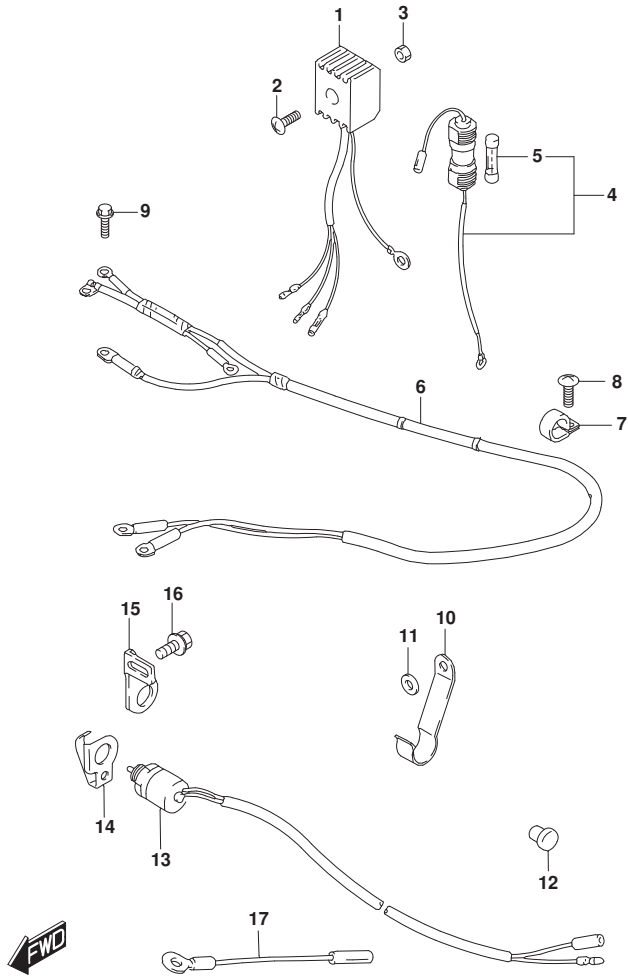
| REF NO. | PART NO. | DESCRIPTION | Q'TY | REMARKS |
|---------|-------------|--------------------------|------|--------------------|
| 1 | 32800-95D01 | RECTIFIER ASSY | 1 | W/ELECTRIC STARTER |
| 2 | 02142-05257 | SCREW | 1 | W/ELECTRIC STARTER |
| 3 | 08310-00057 | NUT | 1 | W/ELECTRIC STARTER |
| 4 | 36740-93901 | FUSE CASE ASSY | 1 | W/ELECTRIC STARTER |
| 5 | 09481-20001 | .FUSE (20A) | 1 | W/ELECTRIC STARTER |
| 6 | 33810-94411 | CABLE ASSY, STARTER | 1 | W/ELECTRIC STARTER |
| 7 | 09403-14204 | CLAMP | 1 | W/ELECTRIC STARTER |
| 8 | 02142-06167 | SCREW | 1 | W/ELECTRIC STARTER |
| 9 | 33816-96300 | CLAMP, CABLE | 1 | W/ELECTRIC STARTER |
| 10 | 03241-0625A | SCREW | 1 | W/ELECTRIC STARTER |
| 11 | 29404-93J10 | CLAMP | 1 | W/MANUAL STARTER |
| 12 | 02142-06127 | SCREW | 1 | W/MANUAL STARTER |
| 13 | 36899-92L00 | LEAD, STOP ETC | 1 | W/MANUAL STARTER |
| 14 | 01550-06167 | BOLT | 1 | W/ELECTRIC STARTER |
| 15 | 37721-94404 | SWITCH ASSY, NEUTRAL | 1 | W/ELECTRIC STARTER |
| 16 | 37725-94302 | ACTUATOR, NEUTRAL SWITCH | 1 | W/ELECTRIC STARTER |
| 17 | 37726-94402 | BRACKET, NEUTRAL SWITCH | 1 | W/ELECTRIC STARTER |
| 18 | 01580-06167 | BOLT | 1 | W/ELECTRIC STARTER |
| 19 | 36895-94400 | LEAD, ENGINE GROUND | 1 | |
| 20 | 02142-06167 | SCREW | 1 | W/MANUAL STARTER |

DT40W P40
DT40W P90

FIG.319B

FIG.319B (1-D-15) ELECTRICAL (DT40WR)

| REF NO. | PART NO. | DESCRIPTION | Q'TY | REMARKS |
|---------|-------------|--------------------------|------|---------|
| 1 | 32800-95D01 | RECTIFIER ASSY | 1 | |
| 2 | 02142-05257 | SCREW | 1 | |
| 3 | 08310-00057 | NUT | 1 | |
| 4 | 36740-93901 | FUSE CASE ASSY | 1 | |
| 5 | 09481-20001 | .FUSE (20A) | 1 | |
| 6 | 33810-94411 | CABLE ASSY, STARTER | 1 | |
| 7 | 09403-14204 | CLAMP | 1 | |
| 8 | 02142-06167 | SCREW | 1 | |
| 9 | 01550-06167 | BOLT | 1 | |
| 10 | 36791-94504 | HOLDER, CONNECTOR | 1 | |
| 11 | 08322-0106C | WASHER | 1 | |
| 12 | 09250-09001 | CAP (OD:14) | 1 | |
| 13 | 37721-94404 | SWITCH ASSY, NEUTRAL | 1 | |
| 14 | 37725-94302 | ACTUATOR, NEUTRAL SWITCH | 1 | |
| 15 | 37726-94402 | BRACKET, NEUTRAL SWITCH | 1 | |
| 16 | 01580-06167 | BOLT | 1 | |
| 17 | 36895-94400 | LEAD, ENGINE GROUND | 1 | |



DT40WR P40
DT40WR P90

FIG.319C

FIG.319C (1-E-2) ELECTRICAL (DT40WK)

| REF NO. | PART NO. | DESCRIPTION | Q'TY | REMARKS |
|---------|-------------|---------------------|------|---------|
| 1 | 29404-93J10 | CLAMP | 1 | |
| 2 | 02142-06127 | SCREW | 1 | |
| 3 | 36899-92L00 | LEAD, STOP ETC | 1 | |
| 4 | 36895-94400 | LEAD, ENGINE GROUND | 1 | |
| 5 | 02142-06167 | SCREW | 1 | |

DT40WK P40

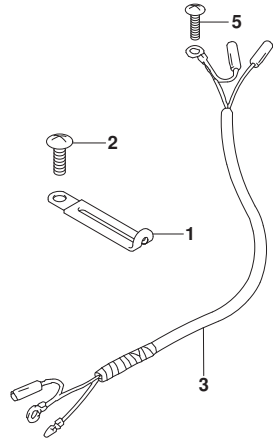


FIG.335A

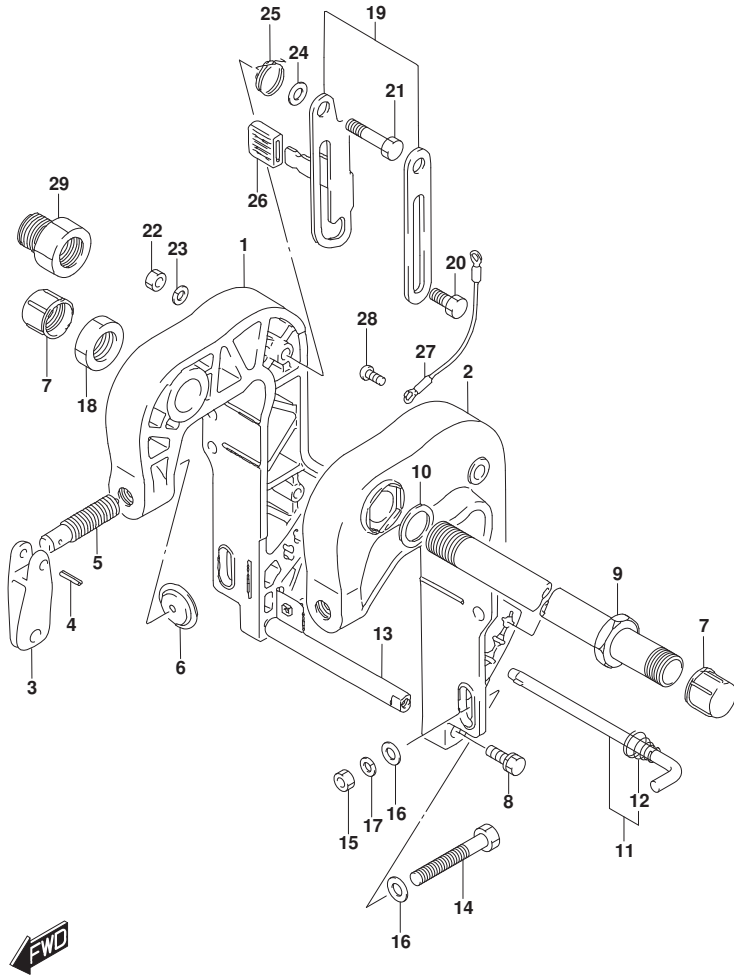


FIG.335A (1-E-3) CLAMP BRACKET (DT40W)(DT40WK)

| REF NO. | PART NO. | DESCRIPTION | Q'TY | REMARKS |
|---------|-----------------|-----------------------------|------|---------|
| 1 | 41111-92L10-YAY | BRACKET, CLAMP STBD (BLACK) | 1 | OPT |
| 2 | 41121-92L10-YAY | BRACKET, CLAMP PORT (BLACK) | 1 | OPT |
| 3 | 41212-91LLO-YAY | HANDLE, CLAMP (BLACK) | 2 | |
| 4 | 09205-06021 | SPRING PIN (6X25) | 2 | |
| 5 | 41211-94302 | SCREW, CLAMP | 2 | |
| 6 | 41213-94J01 | PLATE, CLAMP | 2 | |
| 7 | 41151-94500 | CAP, CLAMP BRACKET SHAFT | 2 | |
| 8 | 09116-08152 | BOLT (8X35) | 2 | |
| 9 | 41130-92L00 | SHAFT, CLAMP BRACKET | 1 | |
| 10 | 09160-22033 | WASHER (22.5X38X1) | 1 | |
| 11 | 45420-92L00 | PIN, TILT LOCK | 1 | |
| 12 | 09441-17002 | .SPRING | 1 | |
| 13 | 41311-92L00 | ROD, CLAMP BRACKET LOWER | 1 | |
| 14 | 09100-08311 | BOLT (8X90) | 2 | |
| 15 | 09140-08023-XC0 | NUT | 2 | |
| 16 | 09160-08081 | WASHER (8.5X23X1.5) | 4 | |
| 17 | 29162-93J10 | LOCK WASHER | 2 | |
| 18 | 09159-22006 | NUT | 1 | |
| 19 | 41200-92L00 | ARM ASSY, TILT | 1 | |
| 20 | 09111-10067 | BOLT (10X20.5) | 2 | |
| 21 | 09111-10069 | BOLT (10X54.5) | 2 | |
| 22 | 09140-10031 | NUT | 2 | |
| 23 | 09162-10005 | LOCK WASHER | 2 | |
| 24 | 09160-10082 | WASHER (10.5X19X2) | 2 | |
| 25 | 09448-29009 | SPRING | 1 | |
| 26 | 41225-94400 | RUBBER, TILT LOCK | 1 | |
| 27 | 36894-95201 | LEAD (L:165) | 1 | |
| 28 | 29125-93J10 | SCREW | 2 | |
| 29 | 41141-94301 | ATTACHMENT, STEERING CABLE | 1 | OPT |

DT40W P40
 DT40W P90
 DT40WK P40

FIG.335B

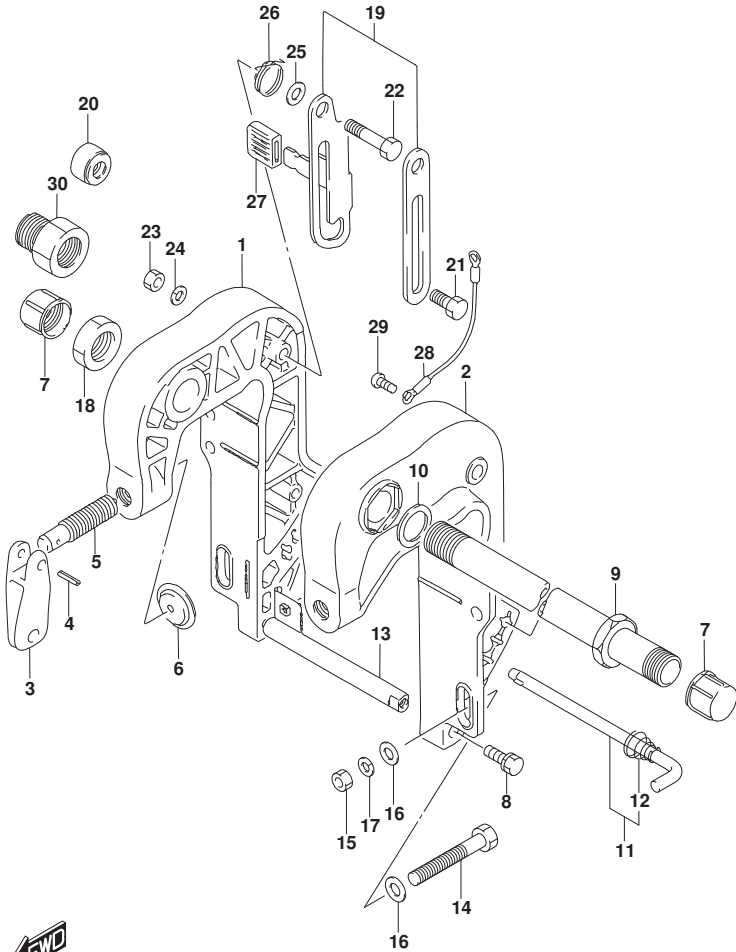


FIG.335B (1-E-4) CLAMP BRACKET (DT40WR)

| REF NO. | PART NO. | DESCRIPTION | Q'TY | REMARKS |
|---------|-----------------|-----------------------------|------|---------|
| 1 | 41111-92L10-YAY | BRACKET, CLAMP STBD (BLACK) | 1 | OPT |
| 2 | 41121-92L10-YAY | BRACKET, CLAMP PORT (BLACK) | 1 | OPT |
| 3 | 41212-91LLO-YAY | HANDLE, CLAMP (BLACK) | 2 | |
| 4 | 09205-06021 | SPRING PIN (6X25) | 2 | |
| 5 | 41211-94302 | SCREW, CLAMP | 2 | |
| 6 | 41213-94J01 | PLATE, CLAMP | 2 | |
| 7 | 41151-94500 | CAP, CLAMP BRACKET SHAFT | 2 | |
| 8 | 09116-08152 | BOLT (8X35) | 2 | |
| 9 | 41130-92L00 | SHAFT, CLAMP BRACKET | 1 | |
| 10 | 09160-22033 | WASHER (22.5X38X1) | 1 | |
| 11 | 45420-92L00 | PIN, TILT LOCK | 1 | |
| 12 | 09441-17002 | .SPRING | 1 | |
| 13 | 41311-92L00 | ROD, CLAMP BRACKET LOWER | 1 | |
| 14 | 09100-08311 | BOLT (8X90) | 2 | |
| 15 | 09140-08023-XCO | NUT | 2 | |
| 16 | 09160-08081 | WASHER (8.5X23X1.5) | 4 | |
| 17 | 29162-93J10 | LOCK WASHER | 2 | |
| 18 | 09159-22006 | NUT | 1 | |
| 19 | 41200-92L00 | ARM ASSY, TILT | 1 | |
| 20 | 41161-94400 | SEAL, STEERING CABLE | 1 | |
| 21 | 09111-10067 | BOLT (10X20.5) | 2 | |
| 22 | 09111-10069 | BOLT (10X54.5) | 2 | |
| 23 | 09140-10031 | NUT | 2 | |
| 24 | 09162-10005 | LOCK WASHER | 2 | |
| 25 | 09160-10082 | WASHER (10.5X19X2) | 2 | |
| 26 | 09448-29009 | SPRING | 1 | |
| 27 | 41225-94400 | RUBBER, TILT LOCK | 1 | |
| 28 | 36894-95201 | LEAD (L:165) | 1 | |
| 29 | 29125-93J10 | SCREW | 2 | |
| 30 | 41141-94301 | ATTACHMENT, STEERING CABLE | 1 | OPT |

DT40WR P40
DT40WR P90

FIG.336A

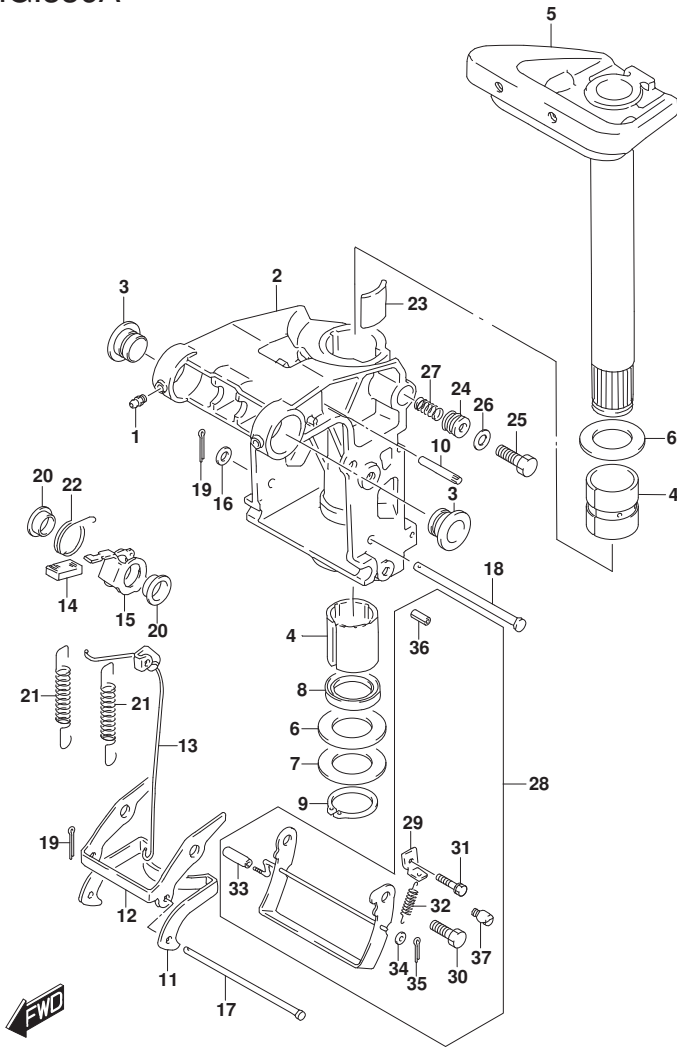


FIG.336A (1-E-5) SWIVEL BRACKET (DT40W P40)(DT40WK P40)

| REF NO. | PART NO. | DESCRIPTION | Q'TY | REMARKS |
|---------|-----------------|---------------------------|------|---------|
| 1 | 22511-99011 | NIPPLE, GREASE | 3 | |
| 2 | 43111-92L10-YAY | BRACKET, SWIVEL (BLACK) | 1 | |
| 3 | 43211-87JL0 | BUSH, SWIVEL BRACKET | 2 | |
| 4 | 43711-97E01 | BUSH, STEERING | 2 | |
| 5 | 43750-92L20-YAY | BRACKET, STEERING (BLACK) | 1 | |
| 6 | 09160-39001 | WASHER (39.5X64X1) | 3 | |
| 7 | 09181-39001 | SHIM (39.5X64X0.3) | AR | |
| 8 | 09282-39001 | OIL SEAL (39X51X5) | 1 | |
| 9 | 09380-38003 | CIRCLIP | 1 | |
| 10 | 41225-94502 | PIN, RELEASE ARM | 1 | |
| 11 | 45231-92L00 | ARM, REVERSE LOCK | 1 | |
| 12 | 45241-92L00 | LINK, REVERSE LOCK ARM | 1 | |
| 13 | 45250-92L00 | LINK, RELEASE | 1 | |
| 14 | 45255-93001 | RUBBER, RELEASE LEVER | 1 | |
| 15 | 45261-92L00 | LEVER, RELEASE | 1 | |
| 16 | 09160-08091 | WASHER (8.5X14X1.0) | 1 | |
| 17 | 09200-05015 | PIN (5X117) | 1 | |
| 18 | 09200-08043 | PIN (8X11) | 1 | |
| 19 | 09204-01002 | PIN | 2 | |
| 20 | 09306-22006 | BUSH (22.6X27X8) | 2 | |
| 21 | 09443-15031 | SPRING | 2 | |
| 22 | 09448-29018 | SPRING | 1 | |
| 23 | 43411-97E00 | ADJUSTER, STEERING | 1 | |
| 24 | 43412-93900 | COVER, STEERING ADJUSTER | 1 | |
| 25 | 09100-08309 | BOLT (8X35) | 1 | |
| 26 | 09160-08091 | WASHER (8.5X14X1.0) | 1 | |
| 27 | 09440-11022 | SPRING | 1 | |

FIG.336A

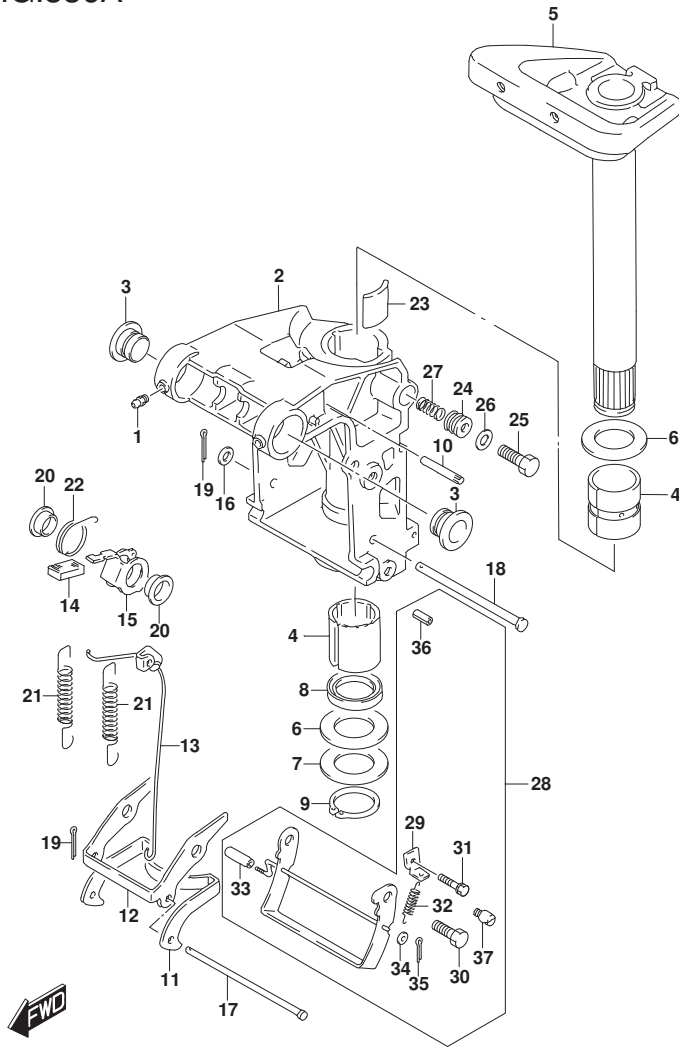


FIG.336A (1-E-6) SWIVEL BRACKET (DT40W P40)(DT40WK P40)

| REF NO. | PART NO. | DESCRIPTION | Q'TY | | REMARKS |
|---------|-------------|--------------------------|------|-----|---------|
| 28 | 45700-92L00 | SHALLOW WATER DRIVE ASSY | 1 | OPT | |
| 29 | 45713-92L00 | .STOPPER, SHALLOW WATER | 1 | OPT | |
| 30 | 09111-10045 | .BOLT (10X20.8) | 2 | OPT | |
| 31 | 09117-06030 | .BOLT (6X16) | 1 | OPT | |
| 32 | 09443-12039 | .SPRING | 1 | OPT | |
| 33 | 45255-95500 | .KNOB, RELEASE LEVER | 1 | OPT | |
| 34 | 09160-05029 | .WASHER (5.5X12X0.8) | 1 | OPT | |
| 35 | 09204-01002 | .PIN | 1 | OPT | |
| 36 | 09205-08002 | .SPRING PIN (8X16) | 1 | OPT | |
| 37 | 45331-94610 | .PIN, SHALLOW DRIVE | 1 | OPT | |

DT40W P40
DT40WK P40

FIG.336B

FIG.336B (1-E-7) SWIVEL BRACKET (DT40W P90)

| REF NO. | PART NO. | DESCRIPTION | Q'TY | REMARKS |
|---------|-----------------|------------------------------|------|---------|
| 1 | 22511-99011 | NIPPLE, GREASE | 3 | |
| 2 | 43111-92L10-YAY | BRACKET, SWIVEL (BLACK) | 1 | |
| 3 | 43211-87JL0 | BUSH, SWIVEL BRACKET | 2 | |
| 4 | 43711-97E01 | BUSH, STEERING | 2 | |
| 5 | 43750-92L20-YAY | BRACKET, STEERING (BLACK) | 1 | |
| 6 | 09160-39001 | WASHER (39.5X64X1) | 3 | |
| 7 | 09181-39001 | SHIM (39.5X64X0.3) | AR | |
| 8 | 09282-39001 | OIL SEAL (39X51X5) | 1 | |
| 9 | 09380-38003 | CIRCLIP | 1 | |
| 10 | 41225-94502 | PIN, RELEASE ARM | 1 | |
| 11 | 45231-92L00 | ARM, REVERSE LOCK | 1 | |
| 12 | 45241-92L00 | LINK, REVERSE LOCK ARM | 1 | |
| 13 | 45250-92L00 | LINK, RELEASE | 1 | |
| 14 | 45255-93001 | RUBBER, RELEASE LEVER | 1 | |
| 15 | 45261-92L00 | LEVER, RELEASE | 1 | |
| 16 | 09160-08091 | WASHER (8.5X14X1.0) | 1 | |
| 17 | 09200-05015 | PIN (5X117) | 1 | |
| 18 | 09200-08043 | PIN (8X11) | 1 | |
| 19 | 09204-01002 | PIN | 2 | |
| 20 | 09306-22006 | BUSH (22.6X27X8) | 2 | |
| 21 | 09443-15031 | SPRING | 2 | |
| 22 | 09448-29018 | SPRING | 1 | |
| 23 | 43411-97E00 | ADJUSTER, STEERING | 1 | |
| 24 | 43412-93900 | COVER, STEERING ADJUSTER | 1 | |
| 25 | 09100-08309 | BOLT (8X35) | 1 | |
| 26 | 09160-08091 | WASHER (8.5X14X1.0) | 1 | |
| 27 | 09440-11022 | SPRING | 1 | |
| 28 | 45255-95500 | KNOB, RELEASE LEVER | 1 | |
| 29 | 45713-92L00 | STOPPER, SHALLOW WATER DRIVE | 1 | |
| 30 | 09111-10067 | BOLT (10X20.5) | 2 | |
| 31 | 09116-06225 | BOLT (6X15) | 1 | |
| 32 | 09160-05029 | WASHER (5.5X12X0.8) | 1 | |
| 33 | 09204-01002 | PIN | 1 | |
| 34 | 09205-08002 | SPRING PIN (8X16) | 1 | |

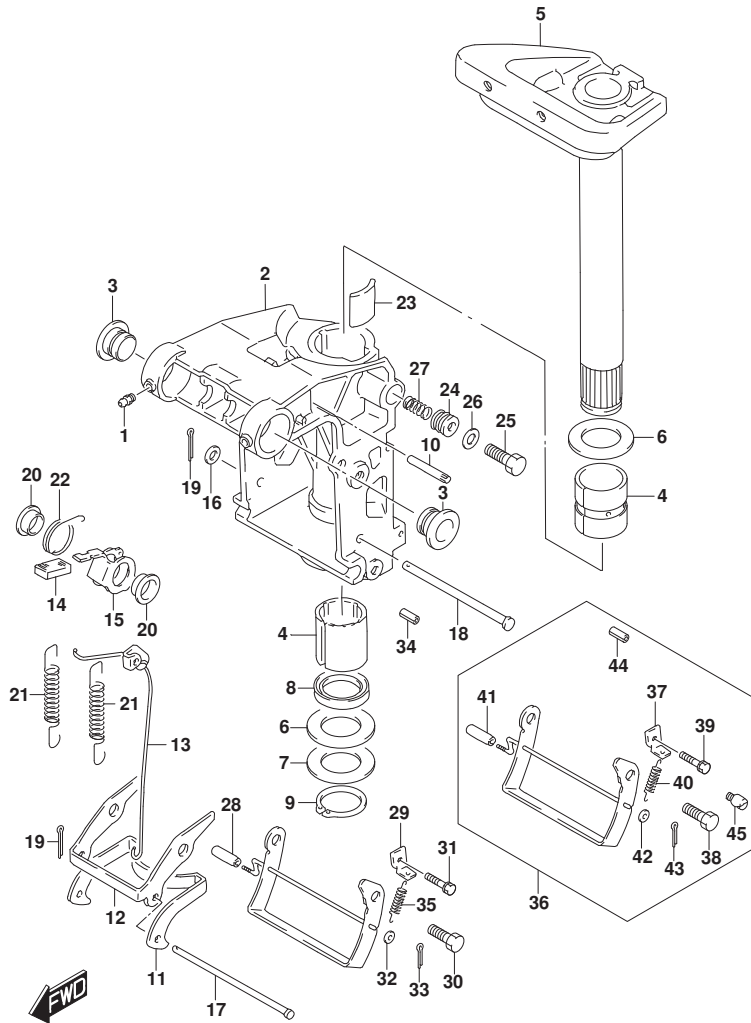


FIG.336B

FIG.336B (1-E-8) SWIVEL BRACKET (DT40W P90)

| REF NO. | PART NO. | DESCRIPTION | Q'TY | REMARKS |
|---------|-------------|--------------------------|------|---------|
| 35 | 09443-12039 | SPRING | 1 | |
| 36 | 45700-92L00 | SHALLOW WATER DRIVE ASSY | 1 | OPT |
| 37 | 45713-92L00 | .STOPPER, SHALLOW WATER | 1 | OPT |
| 38 | 09111-10045 | .BOLT (10X20.8) | 2 | OPT |
| 39 | 09117-06030 | .BOLT (6X16) | 1 | OPT |
| 40 | 09443-12039 | .SPRING | 1 | OPT |
| 41 | 45255-95500 | .KNOB, RELEASE LEVER | 1 | OPT |
| 42 | 09160-05029 | .WASHER (5.5X12X0.8) | 1 | OPT |
| 43 | 09204-01002 | .PIN | 1 | OPT |
| 44 | 09205-08002 | .SPRING PIN (8X16) | 1 | OPT |
| 45 | 45331-94610 | .PIN, SHALLOW DRIVE | 1 | OPT |

DT40W P90

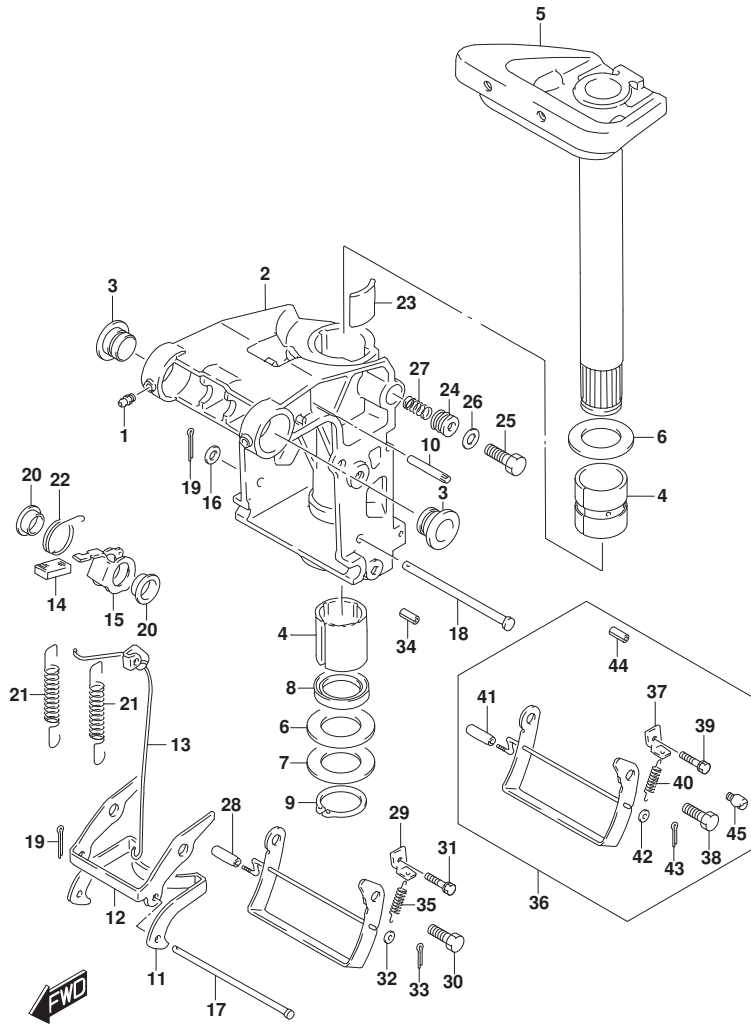


FIG.336C

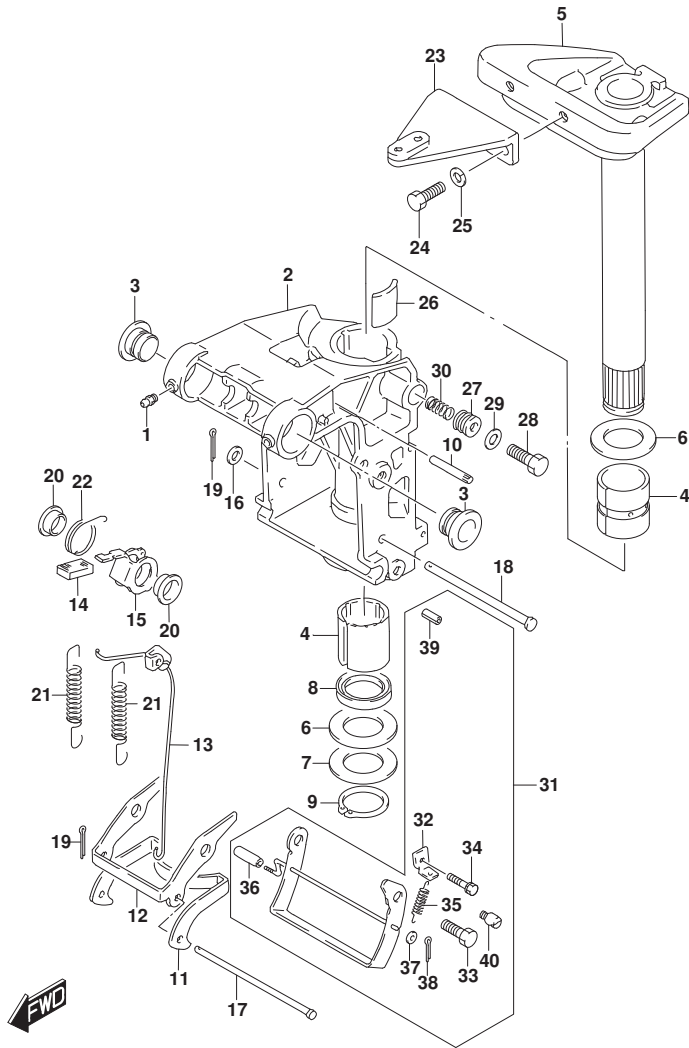


FIG.336C (1-E-9) SWIVEL BRACKET (DT40WR P40)

| REF NO. | PART NO. | DESCRIPTION | Q'TY | REMARKS |
|---------|-----------------|------------------------------|------|---------|
| 1 | 22511-99011 | NIPPLE, GREASE | 3 | |
| 2 | 43111-92L10-YAY | BRACKET, SWIVEL (BLACK) | 1 | |
| 3 | 43211-87JL0 | BUSH, SWIVEL BRACKET | 2 | |
| 4 | 43711-97E01 | BUSH, STEERING | 2 | |
| 5 | 43750-92L20-YAY | BRACKET, STEERING (BLACK) | 1 | |
| 6 | 09160-39001 | WASHER (39.5X64X1) | 3 | |
| 7 | 09181-39001 | SHIM (39.5X64X0.3) | AR | |
| 8 | 09282-39001 | OIL SEAL (39X51X5) | 1 | |
| 9 | 09380-38003 | CIRCLIP | 1 | |
| 10 | 41225-94502 | PIN, RELEASE ARM | 1 | |
| 11 | 45231-92L00 | ARM, REVERSE LOCK | 1 | |
| 12 | 45241-92L00 | LINK, REVERSE LOCK ARM | 1 | |
| 13 | 45250-92L00 | LINK, RELEASE | 1 | |
| 14 | 45255-93001 | RUBBER, RELEASE LEVER | 1 | |
| 15 | 45261-92L00 | LEVER, RELEASE | 1 | |
| 16 | 09160-08091 | WASHER (8.5X14X1.0) | 1 | |
| 17 | 09200-05015 | PIN (5X117) | 1 | |
| 18 | 09200-08043 | PIN (8X11) | 1 | |
| 19 | 09204-01002 | PIN | 2 | |
| 20 | 09306-22006 | BUSH (22.6X27X8) | 2 | |
| 21 | 09443-15031 | SPRING | 2 | |
| 22 | 09448-29018 | SPRING | 1 | |
| 23 | 43755-97E01 | ATTACHMENT, STEERING BRACKET | 1 | |
| 24 | 09100-10316 | BOLT (10X25) | 2 | |
| 25 | 09162-10005 | LOCK WASHER | 2 | |
| 26 | 43411-97E00 | ADJUSTER, STEERING | 1 | |
| 27 | 43412-93900 | COVER, STEERING ADJUSTER | 1 | |
| 28 | 09100-08309 | BOLT (8X35) | 1 | |
| 29 | 09160-08091 | WASHER (8.5X14X1.0) | 1 | |
| 30 | 09440-11022 | SPRING | 1 | |

FIG.336C

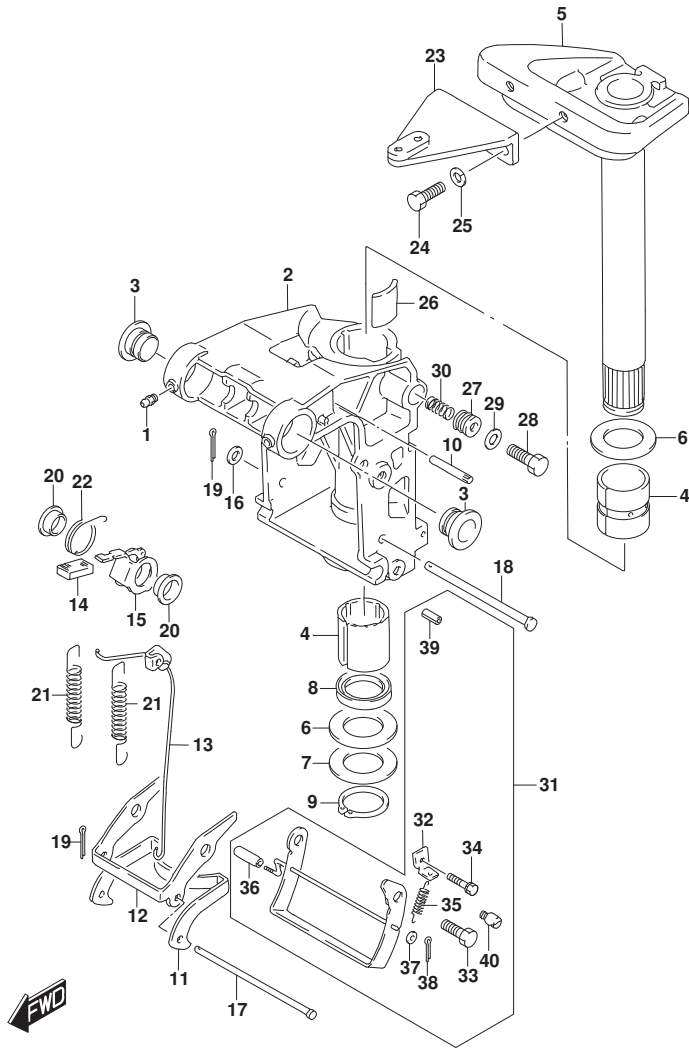


FIG.336C (1-E-10) SWIVEL BRACKET (DT40WR P40)

| REF NO. | PART NO. | DESCRIPTION | QTY | REMARKS |
|---------|-------------|--------------------------|-----|---------|
| 31 | 45700-92L00 | SHALLOW WATER DRIVE ASSY | 1 | OPT |
| 32 | 45713-92L00 | .STOPPER, SHALLOW WATER | 1 | OPT |
| 33 | 09111-10045 | .BOLT (10X20.8) | 2 | OPT |
| 34 | 09117-06030 | .BOLT (6X16) | 1 | OPT |
| 35 | 09443-12039 | .SPRING | 1 | OPT |
| 36 | 45255-95500 | .KNOB, RELEASE LEVER | 1 | OPT |
| 37 | 09160-05029 | .WASHER (5.5X12X0.8) | 1 | OPT |
| 38 | 09204-01002 | .PIN | 1 | OPT |
| 39 | 09205-08002 | .SPRING PIN (8X16) | 1 | OPT |
| 40 | 45331-94610 | .PIN, SHALLOW DRIVE | 1 | OPT |

DT40WR P40

FIG.336D

FIG.336D (1-E-11) SWIVEL BRACKET (DT40WR P90)

| REF NO. | PART NO. | DESCRIPTION | Q'TY | REMARKS |
|---------|-----------------|------------------------------|------|---------|
| 1 | 22511-99011 | NIPPLE, GREASE | 3 | |
| 2 | 43111-92L10-YAY | BRACKET, SWIVEL (BLACK) | 1 | |
| 3 | 43211-87JL0 | BUSH, SWIVEL BRACKET | 2 | |
| 4 | 43711-97E01 | BUSH, STEERING | 2 | |
| 5 | 43750-92L20-YAY | BRACKET, STEERING (BLACK) | 1 | |
| 6 | 09160-39001 | WASHER (39.5X64X1) | 3 | |
| 7 | 09181-39001 | SHIM (39.5X64X0.3) | AR | |
| 8 | 09282-39001 | OIL SEAL (39X51X5) | 1 | |
| 9 | 09380-38003 | CIRCLIP | 1 | |
| 10 | 41225-94502 | PIN, RELEASE ARM | 1 | |
| 11 | 45231-92L00 | ARM, REVERSE LOCK | 1 | |
| 12 | 45241-92L00 | LINK, REVERSE LOCK ARM | 1 | |
| 13 | 45250-92L00 | LINK, RELEASE | 1 | |
| 14 | 45255-93001 | RUBBER, RELEASE LEVER | 1 | |
| 15 | 45261-92L00 | LEVER, RELEASE | 1 | |
| 16 | 09160-08091 | WASHER (8.5X14X1.0) | 1 | |
| 17 | 09200-05015 | PIN (5X117) | 1 | |
| 18 | 09200-08043 | PIN (8X11) | 1 | |
| 19 | 09204-01002 | PIN | 2 | |
| 20 | 09306-22006 | BUSH (22.6X27X8) | 2 | |
| 21 | 09443-15031 | SPRING | 2 | |
| 22 | 09448-29018 | SPRING | 1 | |
| 23 | 43755-97E01 | ATTACHMENT, STEERING BRACKET | 1 | |
| 24 | 09100-10316 | BOLT (10X25) | 2 | |
| 25 | 09162-10005 | LOCK WASHER | 2 | |
| 26 | 43411-97E00 | ADJUSTER, STEERING | 1 | |
| 27 | 43412-93900 | COVER, STEERING ADJUSTER | 1 | |
| 28 | 09100-08309 | BOLT (8X35) | 1 | |
| 29 | 09160-08091 | WASHER (8.5X14X1.0) | 1 | |
| 30 | 09440-11022 | SPRING | 1 | |
| 31 | 45255-95500 | KNOB, RELEASE LEVER | 1 | |
| 32 | 45713-92L00 | STOPPER, SHALLOW WATER DRIVE | 1 | |
| 33 | 09111-10067 | BOLT (10X20.5) | 2 | |
| 34 | 09116-06225 | BOLT (6X15) | 1 | |

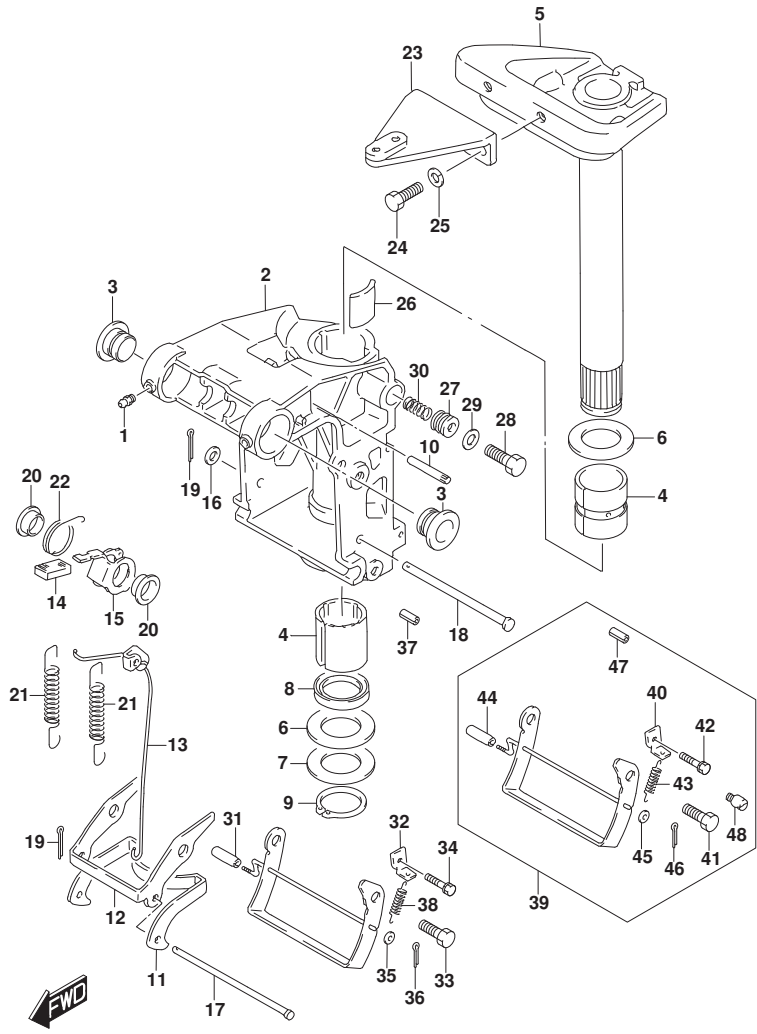


FIG.336D

FIG.336D (1-E-12) SWIVEL BRACKET (DT40WR P90)

| REF NO. | PART NO. | DESCRIPTION | Q'TY | REMARKS |
|---------|-------------|--------------------------|------|---------|
| 35 | 09160-05029 | WASHER (5.5X12X0.8) | 1 | |
| 36 | 09204-01002 | PIN | 1 | |
| 37 | 09205-08002 | SPRING PIN (8X16) | 1 | |
| 38 | 09443-12039 | SPRING | 1 | |
| 39 | 45700-92L00 | SHALLOW WATER DRIVE ASSY | 1 | OPT |
| 40 | 45713-92L00 | .STOPPER, SHALLOW WATER | 1 | OPT |
| 41 | 09111-10045 | .BOLT (10X20.8) | 2 | OPT |
| 42 | 09117-06030 | .BOLT (6X16) | 1 | OPT |
| 43 | 09443-12039 | .SPRING | 1 | OPT |
| 44 | 45255-95500 | .KNOB, RELEASE LEVER | 1 | OPT |
| 45 | 09160-05029 | .WASHER (5.5X12X0.8) | 1 | OPT |
| 46 | 09204-01002 | .PIN | 1 | OPT |
| 47 | 09205-08002 | .SPRING PIN (8X16) | 1 | OPT |
| 48 | 45331-94610 | .PIN, SHALLOW DRIVE | 1 | OPT |

DT40WR P90

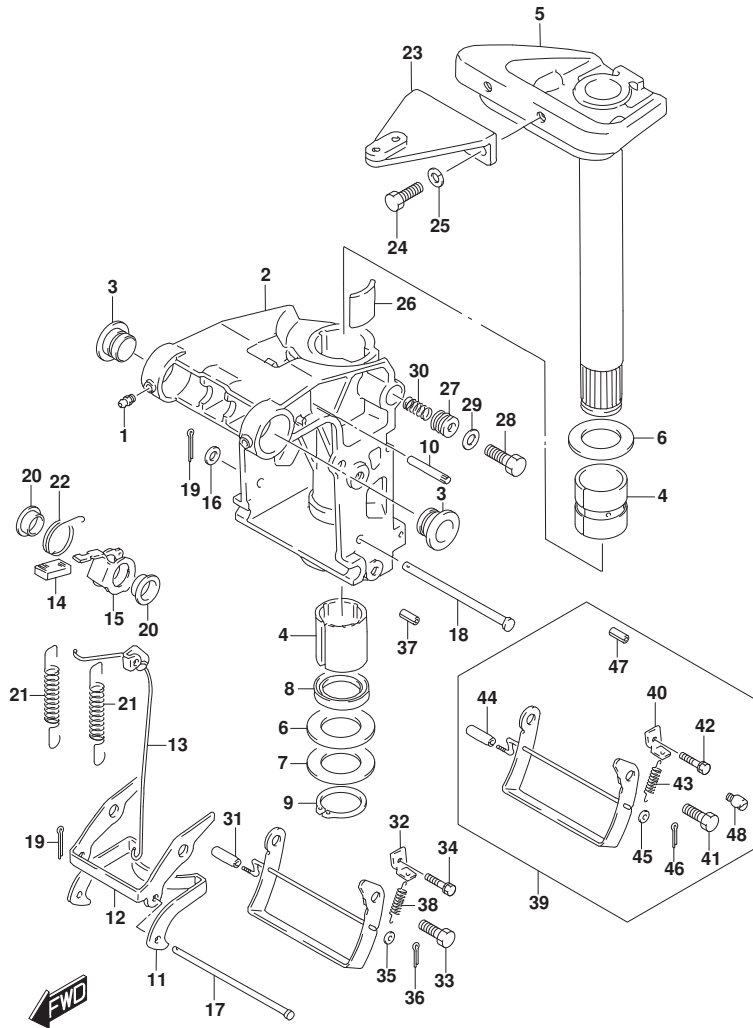


FIG.405A

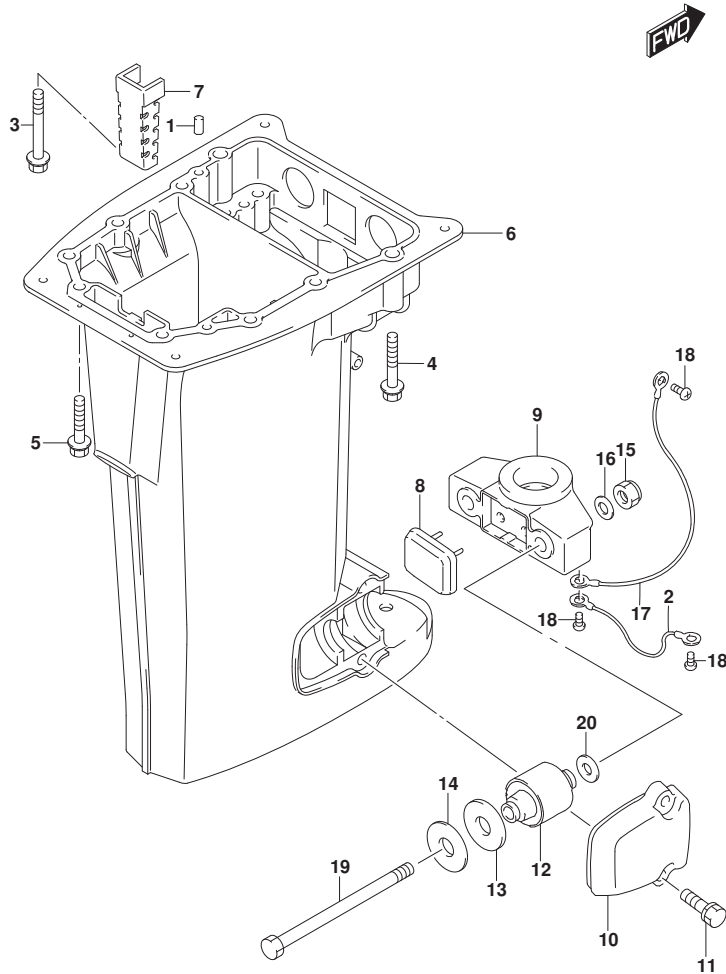


FIG.405A (1-E-13) DRIVE SHAFT HOUSING (DT40W P40)(DT40W P90)(DT40WR P90)(DT40WK P40)

| REF NO. | PART NO. | DESCRIPTION | Q'TY | REMARKS |
|---------|-----------------|--------------------------------------|------|------------------------------|
| 1 | 09202-06031 | PIN (6X12) | 2 | |
| 2 | 36894-95201 | LEAD (L:165) | 1 | |
| 3 | 09118-08172 | BOLT (8X85) | 1 | |
| 4 | 09118-08171 | BOLT (8X75) | 2 | |
| 5 | 09118-08168 | BOLT (8X50) | 6 | |
| 6-1 | 52110-92L30-YAY | HOUSING, DRIVE SHAFT (S) (BLACK) | 1 | W/TRANSOM(S) |
| 6-2 | 52110-92L50-YAY | HOUSING, DRIVE SHAFT (SL) (BLACK) | 1 | W/TRANSOM(L) |
| 6-3 | 52110-92L40-YAY | HOUSING, DRIVE SHAFT (L) (BLACK) | 1 | W/TRANSOM(L2) |
| 7 | 11435-94400 | PLATE, EXHAUST RELEASE | 1 | |
| 8 | 54151-99E00 | MOUNT, LOWER THRUST | 1 | |
| 9 | 54211-92L00-YAY | BRACKET, LOWER MOUNT (BLACK) | 1 | |
| 10 | 54221-92L10-YAY | COVER, LOWER MOUNT (BLACK) | 2 | |
| 11 | 09116-08153 | BOLT (8X35) | 4 | |
| 12-1 | 54160-94410 | MOUNT, LOWER | 2 | W/TRANSOM(S) W/TRANSOM(L) |
| 12-2 | 54160-92L00 | MOUNT, LOWER | 2 | W/TRANSOM(L2) |
| 13 | 54165-94401 | DAMPER, REVERSE STOP, LOWER | 2 | |
| 14 | 09160-13018 | WASHER (13X40X3) | 2 | |
| 15 | 09159-12014 | NUT | 2 | |
| 16 | 09160-12066 | WASHER (12.5X22X2.5) | 2 | |
| 17 | 36894-94401 | LEAD (L:195) | 1 | |
| 18 | 29125-93J10 | SCREW | 3 | |
| 19 | 09100-12123 | BOLT (12X125) | 2 | |
| 20 | 09160-12108 | WASHER (12X28X1) | 2 | |

DT40W P40
DT40W P90
DT40WR P90
DT40WK P40

FIG.405B

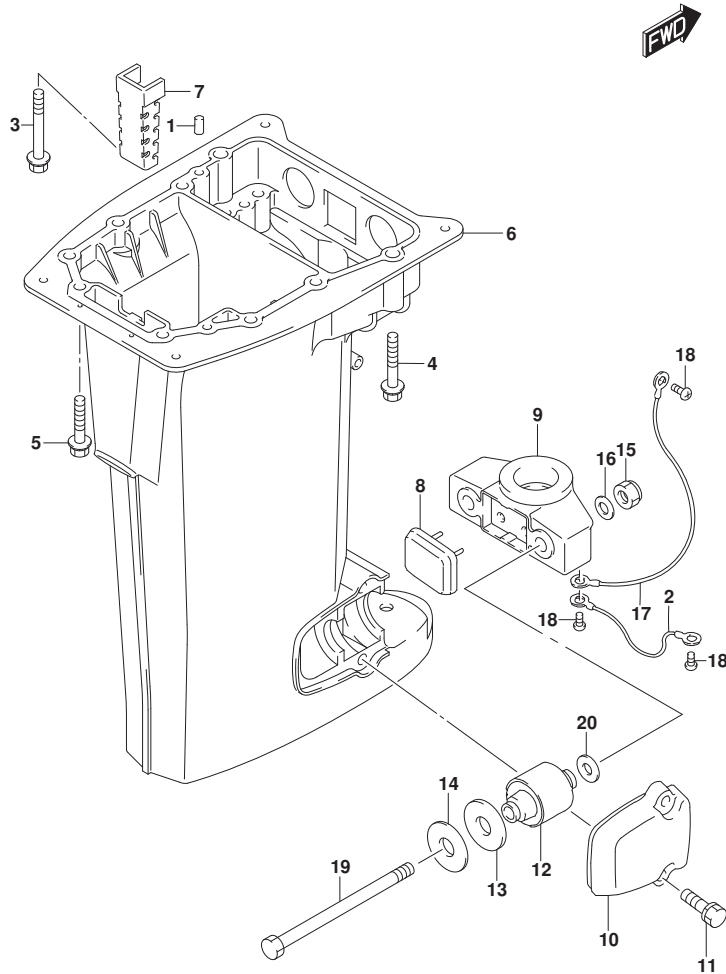


FIG.405B (1-E-14) DRIVE SHAFT HOUSING (DT40WR P40)

| REF NO. | PART NO. | DESCRIPTION | Q'TY | REMARKS |
|---------|-----------------|--------------------------------------|------|---------------|
| 1 | 09202-06031 | PIN (6X12) | 2 | |
| 2 | 36894-95201 | LEAD (L:165) | 1 | |
| 3 | 09118-08172 | BOLT (8X85) | 1 | |
| 4 | 09118-08171 | BOLT (8X75) | 2 | |
| 5 | 09118-08168 | BOLT (8X50) | 6 | |
| 6-1 | 52110-92L50-YAY | HOUSING, DRIVE SHAFT (SL) (BLACK) | 1 | W/TRANSOM(L) |
| 6-2 | 52110-92L40-YAY | HOUSING, DRIVE SHAFT (L) (BLACK) | 1 | W/TRANSOM(L2) |
| 7 | 11435-94400 | PLATE, EXHAUST RELEASE | 1 | |
| 8 | 54151-99E00 | MOUNT, LOWER THRUST | 1 | |
| 9 | 54211-92L00-YAY | BRACKET, LOWER MOUNT (BLACK) | 1 | |
| 10 | 54221-92L10-YAY | COVER, LOWER MOUNT (BLACK) | 2 | |
| 11 | 09116-08153 | BOLT (8X35) | 4 | |
| 12-1 | 54160-94410 | MOUNT, LOWER | 2 | W/TRANSOM(L) |
| 12-2 | 54160-92L00 | MOUNT, LOWER | 2 | W/TRANSOM(L2) |
| 13 | 54165-94401 | DAMPER, REVERSE STOP, LOWER | 2 | |
| 14 | 09160-13018 | WASHER (13X40X3) | 2 | |
| 15 | 09159-12014 | NUT | 2 | |
| 16 | 09160-12066 | WASHER (12.5X22X2.5) | 2 | |
| 17 | 36894-94401 | LEAD (L:195) | 1 | |
| 18 | 29125-93J10 | SCREW | 3 | |
| 19 | 09100-12123 | BOLT (12X125) | 2 | |
| 20 | 09160-12108 | WASHER (12X28X1) | 2 | |

DT40WR P40

FIG.407A

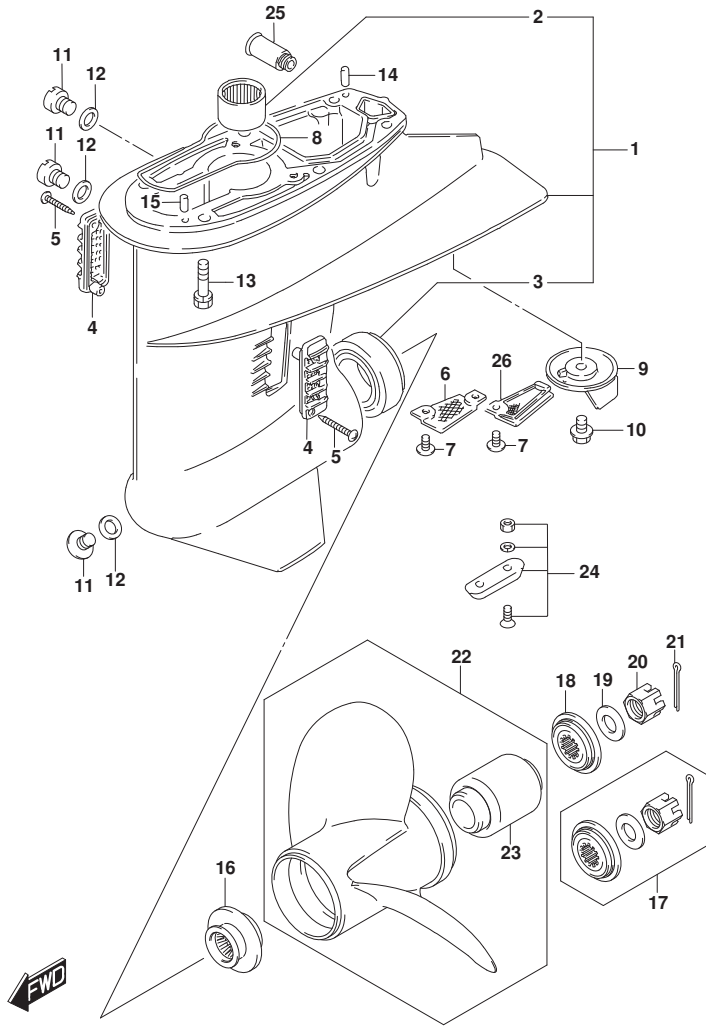


FIG.407A (1-E-15) GEAR CASE

| REF NO. | PART NO. | DESCRIPTION | Q'TY | REMARKS |
|---------|-----------------|------------------------------------|------|---------|
| 1 | 55100-92L20-YAY | CASE ASSY, GEAR (BLACK) | 1 | |
| 2 | 09263-22039 | .BEARING (22X30X30) | 1 | |
| 3 | 09265-30004 | .BEARING (30X62X17.25) | 1 | |
| 4 | 17631-91L00 | FILTER, WATER | 2 | |
| 5 | 03142-04309 | SCREW | 2 | |
| 6 | 17635-87E00 | FILTER, SUB WATER | 1 | |
| 7 | 09125-05046 | SCREW (5X12) | 2 | |
| 8 | 55122-88L00 | RING, GEAR CASE SEAL | 1 | |
| 9 | 55125-92L00 | TAB, TRIM | 1 | |
| 10 | 09116-08147 | BOLT (8X16) | 1 | |
| 11 | 09248-10008 | PLUG (10X7.5) | 3 | |
| 12 | 09168-10022 | GASKET (10X17X1.5) | 3 | |
| 13 | 09116-08155 | BOLT (8X45) | 6 | |
| 14 | 09202-06027 | PIN (6X23) | 1 | |
| 15 | 09202-06025 | PIN (6X17) | 1 | |
| 16 | 57632-92L00 | STOPPER, PROPELLER BUSH | 1 | |
| 17 | 57630-92L01 | PROPELLER NUT KIT | 1 | OPT |
| 18 | 57633-94301 | SPACER, PROPELLER NUT | 1 | |
| 19 | 09160-16054 | WASHER (16X32X3) | 1 | |
| 20 | 09141-16008 | NUT | 1 | |
| 21 | 09204-03003 | COTTER PIN (D:3.6.L:25) | 1 | |
| 22-1 | 58100-88L13-019 | PROPELLER (3X11-1/2X10) (BLACK) | 1 | |
| 22-2 | 58100-88L23-019 | PROPELLER (3X11-1/2X11) (BLACK) | 1 | |
| 22-3 | 58100-88LA0-019 | PROPELLER (3X11-5/8X12) (BLACK) | 1 | |
| 22-4 | 58100-88LB0-019 | PROPELLER (3X11-1/2X13) (BLACK) | 1 | |
| 22-5 | 58100-88L52-019 | PROPELLER (3X11-3/8X14) (BLACK) | 1 | |
| 22-6 | 58100-88L62-019 | PROPELLER (3X11-1/4X15) (BLACK) | 1 | |
| 23 | 58120-88L01 | .BUSH, PROPELLER | 1 | |

FIG.407A

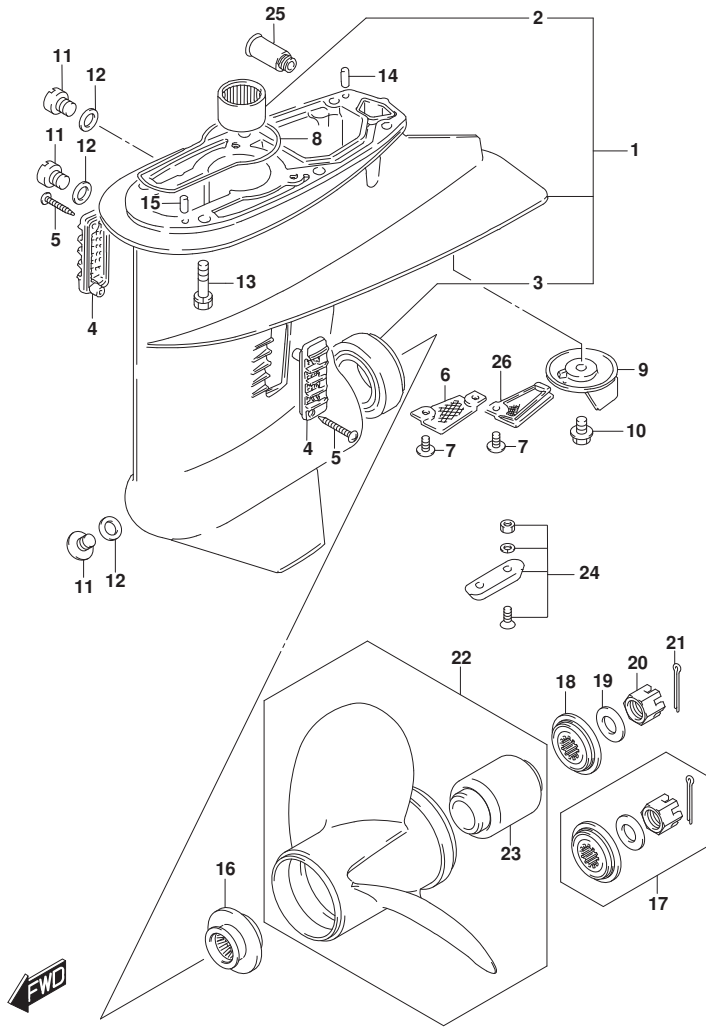


FIG.407A (1-F-2) GEAR CASE

| REF NO. | PART NO. | DESCRIPTION | Q'TY | REMARKS |
|---------|-------------|---------------------------|------|-----------------|
| 24 | 55300-95500 | ZINC, PROTECTION | 1 | OPT |
| 25 | 55181-95200 | ATTACHMENT, FLUSH HOSE | 1 | OPT |
| 26 | 17635-87E10 | PLATE, GEAR CASE | 1 | OPT |
| 27 | 25700-88L00 | KIT, GEAR CASE RE-SEALING | 1 | OPT |
| | | | | NOT ILLUSTRATED |

FIG.412A

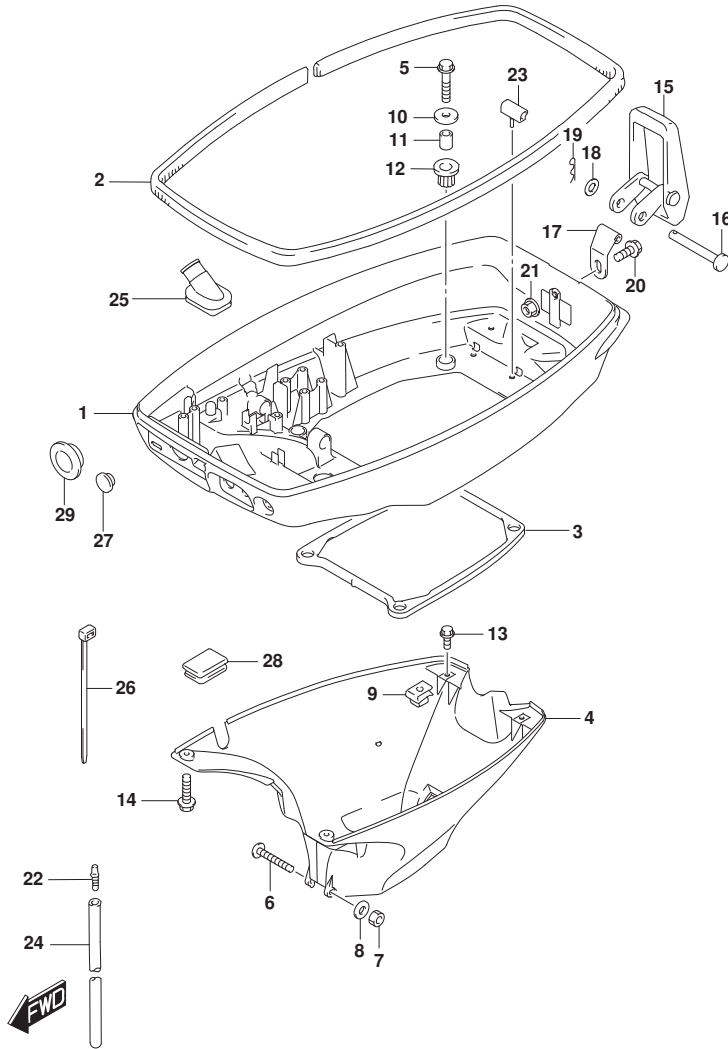


FIG.412A (1-F-3) LOWER COVER (DT40W)

| REF NO. | PART NO. | DESCRIPTION | Q'TY | REMARKS |
|---------|-----------------|------------------------------|------|--------------------|
| 1 | 61111-92L20-YAY | COVER, ENGINE LOWER (BLACK) | 1 | |
| 2 | 61112-94412 | RUBBER, ENGINE LOWER COVER | 1 | |
| 3 | 61113-92L00 | SEAL, ENGINE LOWER COVER | 1 | |
| 4 | 61131-92L00-QGF | COVER, ENGINE HOLDER (BLACK) | 1 | |
| 5 | 09116-06232 | BOLT (6X30) | 4 | |
| 6 | 09125-05129 | SCREW (5X50) | 1 | |
| 7 | 09159-05042 | NUT | 1 | |
| 8 | 09160-05029 | WASHER (5.5X12X0.8) | 1 | |
| 9 | 09148-06017 | NUT | 2 | |
| 10 | 09160-06104 | WASHER (6.5X24X2) | 4 | |
| 11 | 09180-06295 | SPACER (6.5X10X16) | 4 | |
| 12 | 09320-10035 | CUSHION | 4 | |
| 13 | 09116-06227 | BOLT (6X20) | 2 | |
| 14 | 09116-06223 | BOLT (6X12) | 2 | |
| 15 | 61610-90L00 | FASTENER | 1 | |
| 16 | 61616-93EL0 | PIN, LEVER | 1 | |
| 17 | 61642-90L00 | HOLDER, FASTENER LEVER | 1 | |
| 18 | 09161-04012 | WASHER (4.2X11X1) | 1 | |
| 19 | 09385-04003 | CLIP | 1 | |
| 20 | 09116-06227 | BOLT (6X20) | 1 | |
| 21 | 08310-00067 | NUT | 1 | |
| 22 | 61155-94400 | TUBE, WATER INSPECTION | 1 | |
| 23 | 61138-944L0 | COVER, WATER | 3 | |
| 24 | 09352-50903-600 | HOSE (5X9X600) | 1 | L:600->50 |
| 25 | 33811-94400 | GROMMET, STARTER CABLE | 1 | W/ELECTRIC STARTER |
| 26 | 09407-25402 | CLAMP (L:250) | 1 | W/ELECTRIC STARTER |
| 27 | 09250-12006 | CAP (OD:20) | 1 | LAMP HOLE |
| 28-1 | 39669-94400 | PLUG, LOWER COVER | 1 | W/ELECTRIC STARTER |
| 28-2 | 39669-94400 | PLUG, LOWER COVER | 2 | W/MANUAL STARTER |
| 29 | 09250-33001 | CAP (OD:40) | 1 | W/MANUAL STARTER |

DT40W P40
DT40W P90

FIG.412B

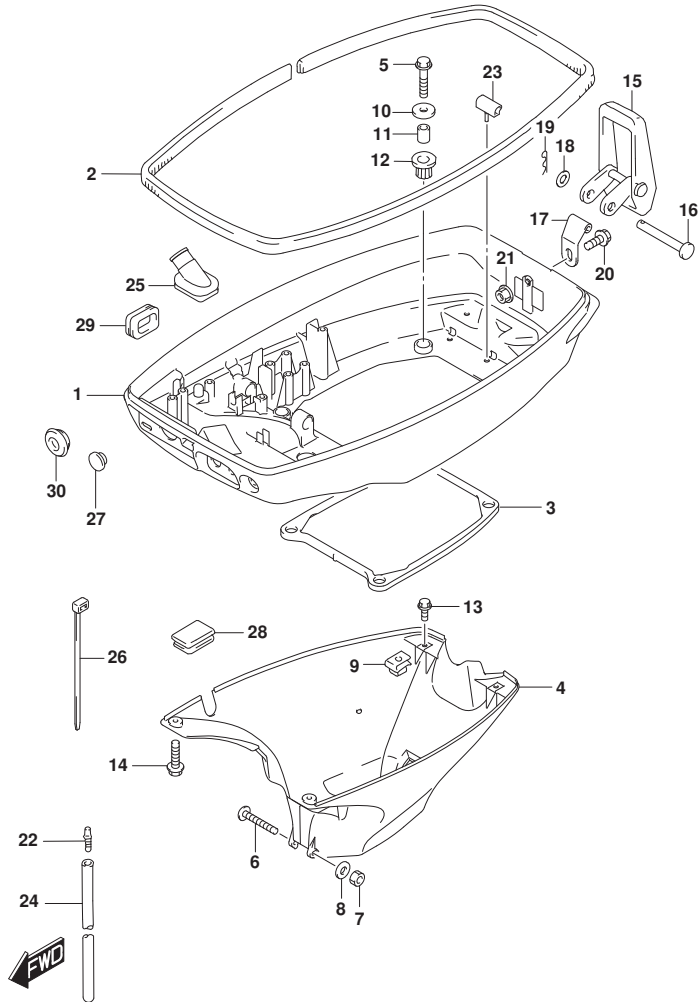


FIG.412B (1-F-4) LOWER COVER (DT40WR)

| REF NO. | PART NO. | DESCRIPTION | Q'TY | REMARKS |
|---------|-----------------|------------------------------|------|-----------|
| 1 | 61111-92L20-YAY | COVER, ENGINE LOWER (BLACK) | 1 | |
| 2 | 61112-94412 | RUBBER, ENGINE LOWER COVER | 1 | |
| 3 | 61113-92L00 | SEAL, ENGINE LOWER COVER | 1 | |
| 4 | 61131-92L00-QGF | COVER, ENGINE HOLDER (BLACK) | 1 | |
| 5 | 09116-06232 | BOLT (6X30) | 4 | |
| 6 | 09125-05129 | SCREW (5X50) | 1 | |
| 7 | 09159-05042 | NUT | 1 | |
| 8 | 09160-05029 | WASHER (5.5X12X0.8) | 1 | |
| 9 | 09148-06017 | NUT | 2 | |
| 10 | 09160-06104 | WASHER (6.5X24X2) | 4 | |
| 11 | 09180-06295 | SPACER (6.5X10X16) | 4 | |
| 12 | 09320-10035 | CUSHION | 4 | |
| 13 | 09116-06227 | BOLT (6X20) | 2 | |
| 14 | 09116-06223 | BOLT (6X12) | 2 | |
| 15 | 61610-90L00 | FASTENER | 1 | |
| 16 | 61616-93EL0 | PIN, LEVER | 1 | |
| 17 | 61642-90L00 | HOLDER, FASTENER LEVER | 1 | |
| 18 | 09161-04012 | WASHER (4.2X11X1) | 1 | |
| 19 | 09385-04003 | CLIP | 1 | |
| 20 | 09116-06227 | BOLT (6X20) | 1 | |
| 21 | 08310-00067 | NUT | 1 | |
| 22 | 61155-94400 | TUBE, WATER INSPECTION | 1 | |
| 23 | 61138-944L0 | COVER, WATER | 3 | |
| 24 | 09352-50903-600 | HOSE (5X9X600) | 1 | L:600->50 |
| 25 | 33811-94400 | GROMMET, STARTER CABLE | 1 | |
| 26 | 09407-25402 | CLAMP (L:250) | 1 | |
| 27 | 09250-12006 | CAP (OD:20) | 1 | LAMP HOLE |
| 28 | 39669-94400 | PLUG, LOWER COVER | 1 | |
| 29 | 63625-94300 | CAP, THROTTLE CABLE | 1 | |
| 30 | 09250-16008 | PLUG (OD:24) | 1 | |

DT40WR P40
DT40WR P90

FIG.412C

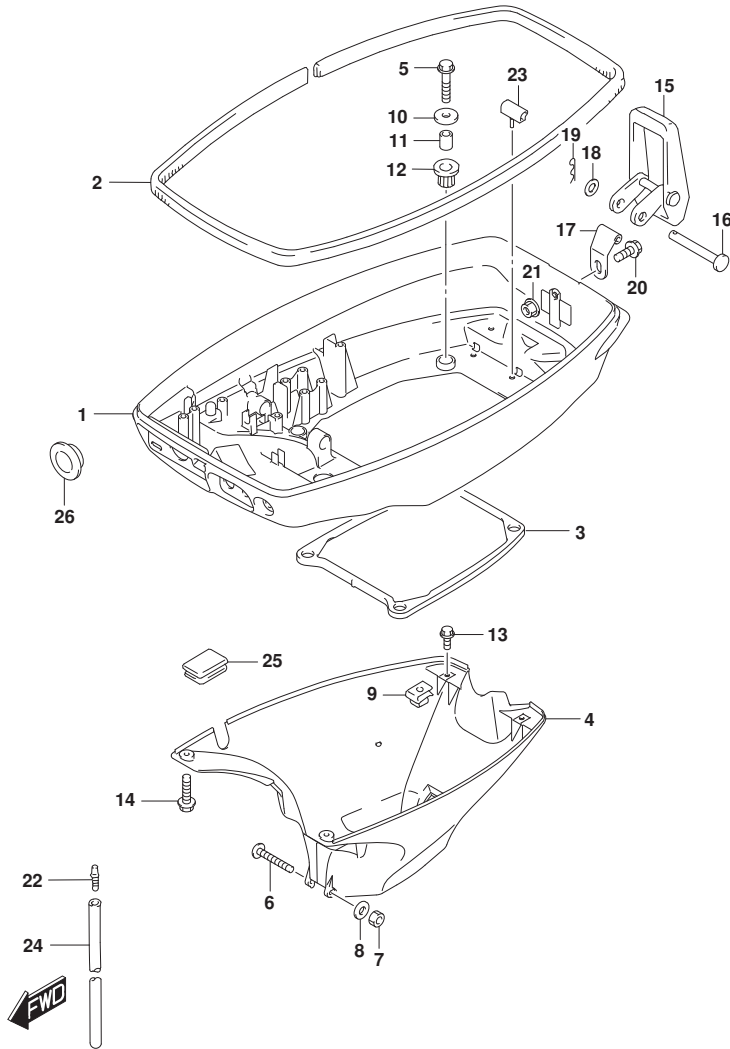


FIG.412C (1-F-5) LOWER COVER (DT40WK)

| REF NO. | PART NO. | DESCRIPTION | Q'TY | REMARKS |
|---------|-----------------|------------------------------|------|-----------|
| 1 | 61111-92L20-YAY | COVER, ENGINE LOWER (BLACK) | 1 | |
| 2 | 61112-94412 | RUBBER, ENGINE LOWER COVER | 1 | |
| 3 | 61113-92L00 | SEAL, ENGINE LOWER COVER | 1 | |
| 4 | 61131-92L00-QGF | COVER, ENGINE HOLDER (BLACK) | 1 | |
| 5 | 09116-06232 | BOLT (6X30) | 4 | |
| 6 | 09125-05129 | SCREW (5X50) | 1 | |
| 7 | 09159-05042 | NUT | 1 | |
| 8 | 09160-05029 | WASHER (5.5X12X0.8) | 1 | |
| 9 | 09148-06017 | NUT | 2 | |
| 10 | 09160-06104 | WASHER (6.5X24X2) | 4 | |
| 11 | 09180-06295 | SPACER (6.5X10X16) | 4 | |
| 12 | 09320-10035 | CUSHION | 4 | |
| 13 | 09116-06227 | BOLT (6X20) | 2 | |
| 14 | 09116-06223 | BOLT (6X12) | 2 | |
| 15 | 61610-90L00 | FASTENER | 1 | |
| 16 | 61616-93EL0 | PIN, LEVER | 1 | |
| 17 | 61642-90L00 | HOLDER, FASTENER LEVER | 1 | |
| 18 | 09161-04012 | WASHER (4.2X11X1) | 1 | |
| 19 | 09385-04003 | CLIP | 1 | |
| 20 | 09116-06227 | BOLT (6X20) | 1 | |
| 21 | 08310-00067 | NUT | 1 | |
| 22 | 61155-94400 | TUBE, WATER INSPECTION | 1 | |
| 23 | 61138-944L0 | COVER, WATER | 3 | |
| 24 | 09352-50903-600 | HOSE (5X9X600) | 1 | L:600->50 |
| 25 | 39669-94400 | PLUG, LOWER COVER | 2 | |
| 26 | 09250-33001 | CAP (OD:40) | 1 | |

DT40WK P40

FIG.420A

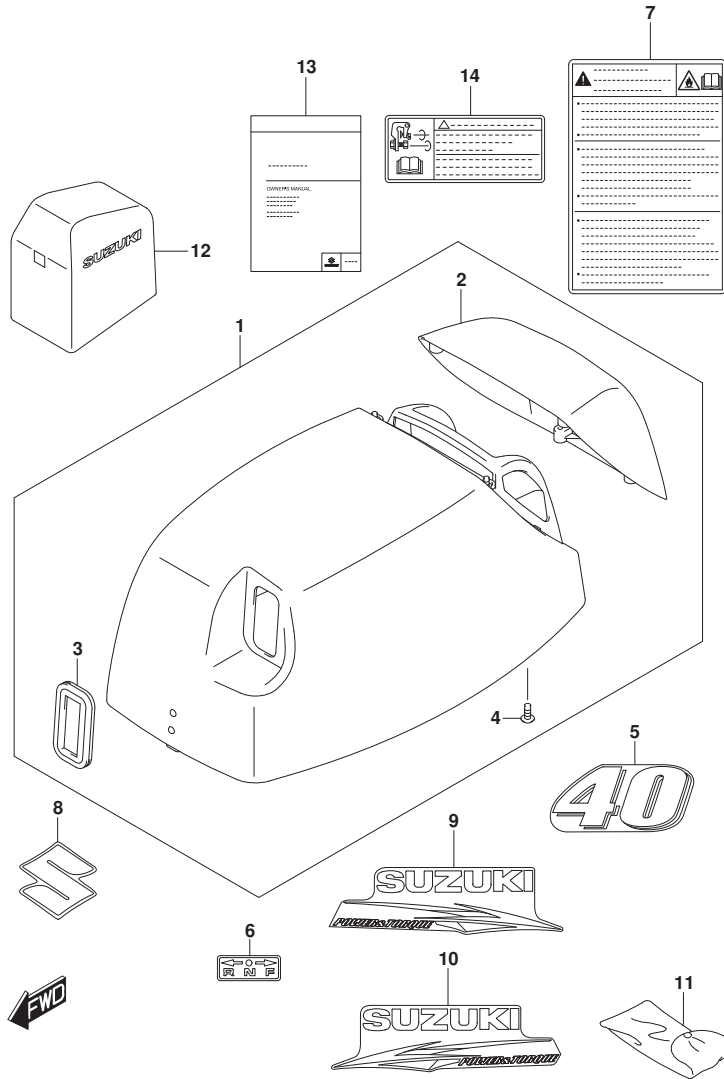


FIG.420A (1-F-6) ENGINE COVER (DT40W)(DT40WR)

| REF NO. | PART NO. | DESCRIPTION | Q'TY | REMARKS |
|---------|-----------------|---------------------------|------|---------|
| 1 | 61400-92L01-YAY | COVER SET, ENGINE (BLACK) | 1 | |
| 2 | 61431-92L00-YAY | .HANDLE, TILT UP (BLACK) | 1 | |
| 3 | 61622-95500 | .SEAL, RECOIL STARTER | 1 | |
| 4 | 03542-06169 | .SCREW | 4 | |
| 5 | 61435-92L10 | MARK, EMBLEM REAR (40) | 1 | |
| 6 | 21131-96010 | MARK, CLUTCH SHIFT | 1 | |
| 7 | 61458-89L00 | LABEL, ENGINE COVER | 1 | |
| 8 | 68111-91L00 | EMBLEM, "S" | 1 | |
| 9 | 61443-91L10 | STRIPE, ENGINE COVER STBD | 1 | |
| 10 | 61453-91L10 | STRIPE, ENGINE COVER PORT | 1 | |
| 11 | 59800-90L10 | TOOL ASSY | 1 | |
| 12 | 68110-87L01 | COVER, WEATHER | 1 | OPT |
| 13 | 99011-92LC0-063 | MANUAL, OWNER'S | 1 | |
| 14 | 69911-91J50 | MARK, CLAMP BRACKET | 1 | |

DT40W P40
 DT40W P90
 DT40WR P40
 DT40WR P90

FIG.420B

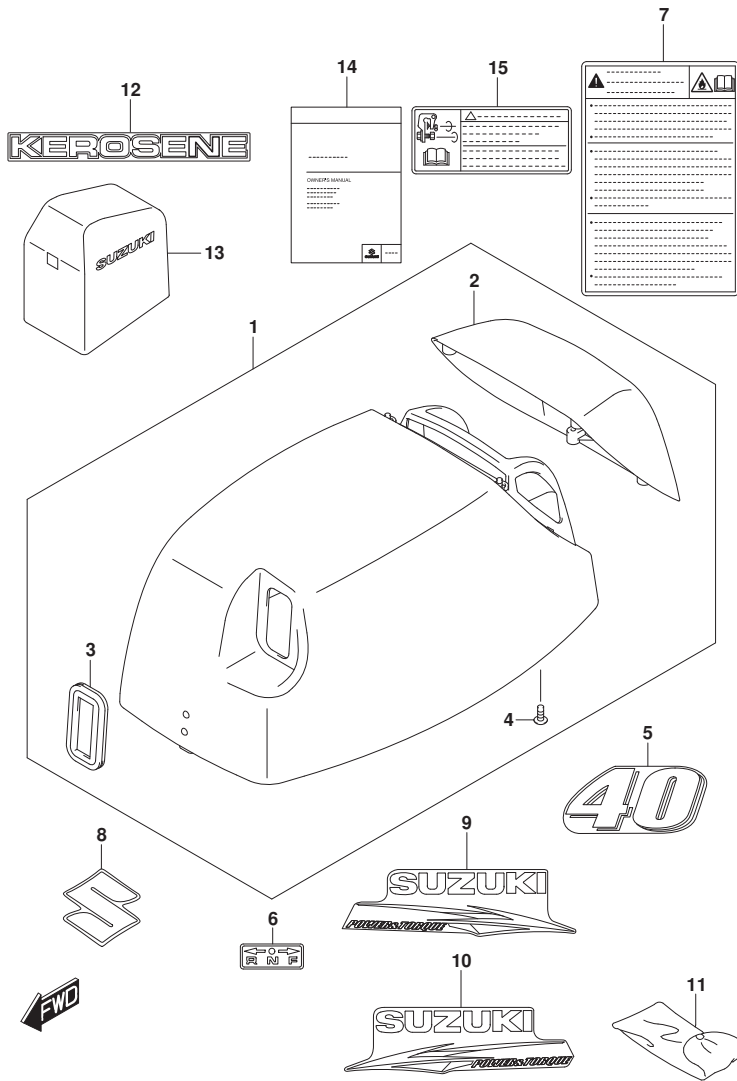


FIG.420B (1-F-7) ENGINE COVER (DT40WK)

| REF NO. | PART NO. | DESCRIPTION | Q'TY | REMARKS |
|---------|-----------------|---------------------------|------|---------|
| 1 | 61400-92L01-YAY | COVER SET, ENGINE (BLACK) | 1 | |
| 2 | 61431-92L00-YAY | .HANDLE, TILT UP (BLACK) | 1 | |
| 3 | 61622-95500 | .SEAL, RECOIL STARTER | 1 | |
| 4 | 03542-06169 | .SCREW | 4 | |
| 5 | 61435-92L10 | MARK, EMBLEM REAR (40) | 1 | |
| 6 | 21131-96010 | MARK, CLUTCH SHIFT | 1 | |
| 7 | 61458-89L00 | LABEL, ENGINE COVER | 1 | |
| 8 | 68111-91L00 | EMBLEM, "S" | 1 | |
| 9 | 61443-91L10 | STRIPE, ENGINE COVER STBD | 1 | |
| 10 | 61453-91L10 | STRIPE, ENGINE COVER PORT | 1 | |
| 11 | 59800-90L10 | TOOL ASSY | 1 | |
| 12 | 61449-95L00 | MARK, KEROSENE | 1 | |
| 13 | 68110-87L01 | COVER, WEATHER | 1 | OPT |
| 14 | 99011-92LD0-063 | MANUAL, OWNER'S | 1 | |
| 15 | 69911-91J50 | MARK, CLAMP BRACKET | 1 | |

DT40WK P40

FIG.432A

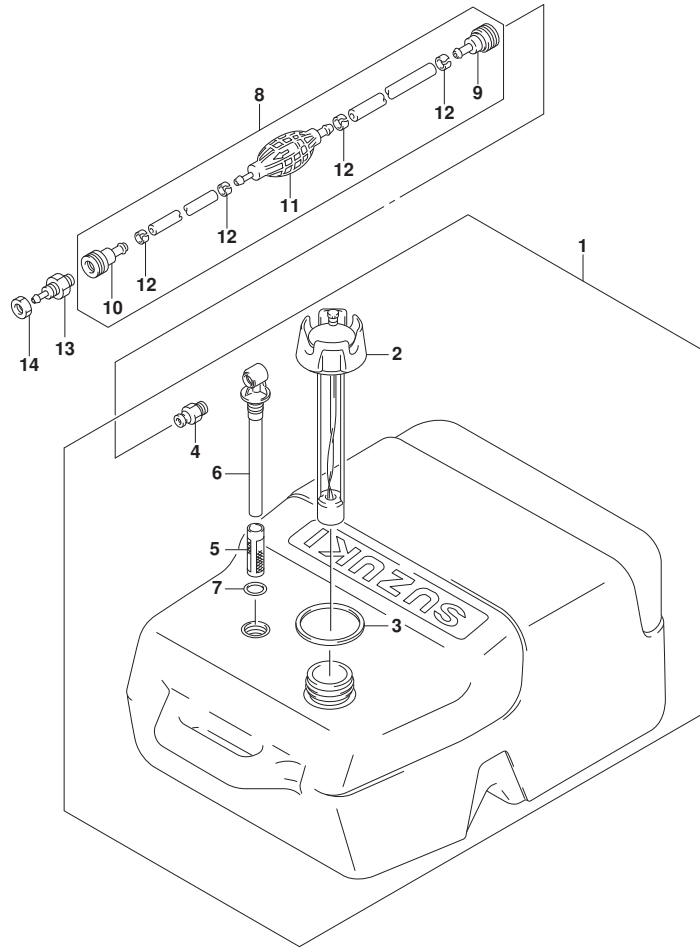


FIG.432A (1-F-8) FUEL TANK (PLASTIC/25L) (DT40W)(DT40WR)

| REF NO. | PART NO. | DESCRIPTION | Q'TY | REMARKS |
|---------|-------------|--------------------------|------|---------|
| 1 | 65000-95D01 | TANK ASSY, FUEL (25L) | 1 | |
| 2 | 65520-95D01 | .CAP ASSY, FUEL TANK | 1 | |
| 3 | 65561-95D00 | .GASKET, TANK CAP | 1 | |
| 4 | 65740-95D01 | .PLUG, FUEL CONNECTOR | 1 | |
| 5 | 65831-95D00 | .FILTER, OUTLET | 1 | |
| 6 | 65890-95D00 | .OUTLET ASSY | 1 | |
| 7 | 65892-95D00 | .O RING, FUEL OUTLET | 1 | |
| 8 | 65700-87DL0 | HOSE, FUEL | 1 | |
| 9 | 65750-95500 | .SOCKET, FUEL HOSE (IN) | 1 | |
| 10 | 65750-98505 | .SOCKET, FUEL HOSE (OUT) | 1 | |
| 11 | 65770-87DL0 | .PUMP, SQUEEZE | 1 | |
| 12 | 65781-98500 | .CLIP | 4 | |
| 13 | 65720-985L1 | PLUG, FUEL CONNECTOR | 1 | |
| 14 | 09140-10032 | NUT | 1 | |

DT40W P40
 DT40W P90
 DT40WR P40
 DT40WR P90

FIG.432B

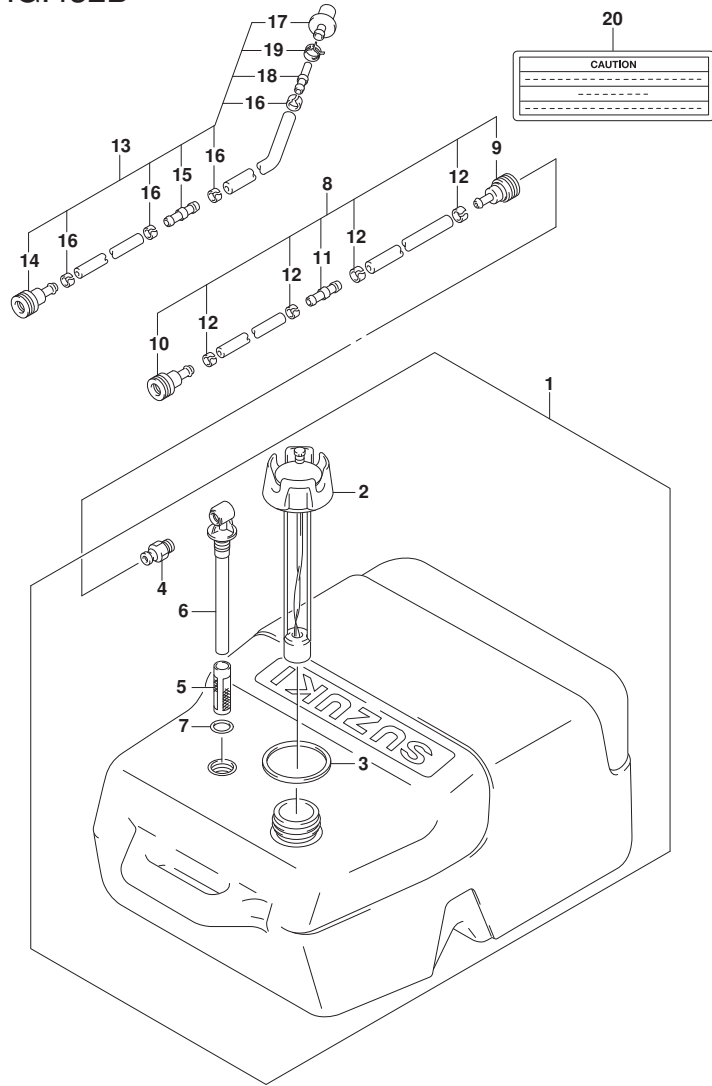


FIG.432B (1-F-9) FUEL TANK (PLASTIC/25L) (DT40WK)

| REF NO. | PART NO. | DESCRIPTION | Q'TY | REMARKS |
|---------|-------------|--------------------------|------|-----------------------------|
| 1 | 65000-95D01 | TANK ASSY, FUEL (25L) | 1 | |
| 2 | 65520-95D01 | .CAP ASSY, FUEL TANK | 1 | |
| 3 | 65561-95D00 | .GASKET, TANK CAP | 1 | |
| 4 | 65740-95D01 | .PLUG, FUEL CONNECTOR | 1 | |
| 5 | 65831-95D00 | .FILTER, OUTLET | 1 | |
| 6 | 65890-95D00 | .OUTLET ASSY | 1 | |
| 7 | 65892-95D00 | .O RING, FUEL OUTLET | 1 | |
| 8 | 65700-96362 | HOSE, FUEL (L:2620) | 1 | FOR KEROSENE W/FUEL TANK |
| 9 | 65750-95500 | .SOCKET, FUEL HOSE (IN) | 1 | |
| 10 | 65750-98505 | .SOCKET, FUEL HOSE (OUT) | 1 | |
| 11 | 65779-93900 | .UNION, FUEL HOSE | 1 | |
| 12 | 65781-98500 | .CLIP | 4 | |
| 13 | 65700-94424 | HOSE, FUEL | 1 | FOR KEROSENE N/FUEL TANK |
| 14 | 65750-98505 | .SOCKET, FUEL HOSE | 1 | |
| 15 | 65779-93900 | .UNION, FUEL HOSE | 1 | |
| 16 | 65781-98500 | .CLIP | 4 | |
| 17 | 65830-95500 | .FILTER | 1 | |
| 18 | 65842-94401 | .TUBE | 1 | |
| 19 | 09401-10412 | .CLIP | 1 | |
| 20 | 65318-93910 | MARK, KEROSENE CAUTION | 1 | W/FUEL TANK |

DT40WK P40

FIG.432C

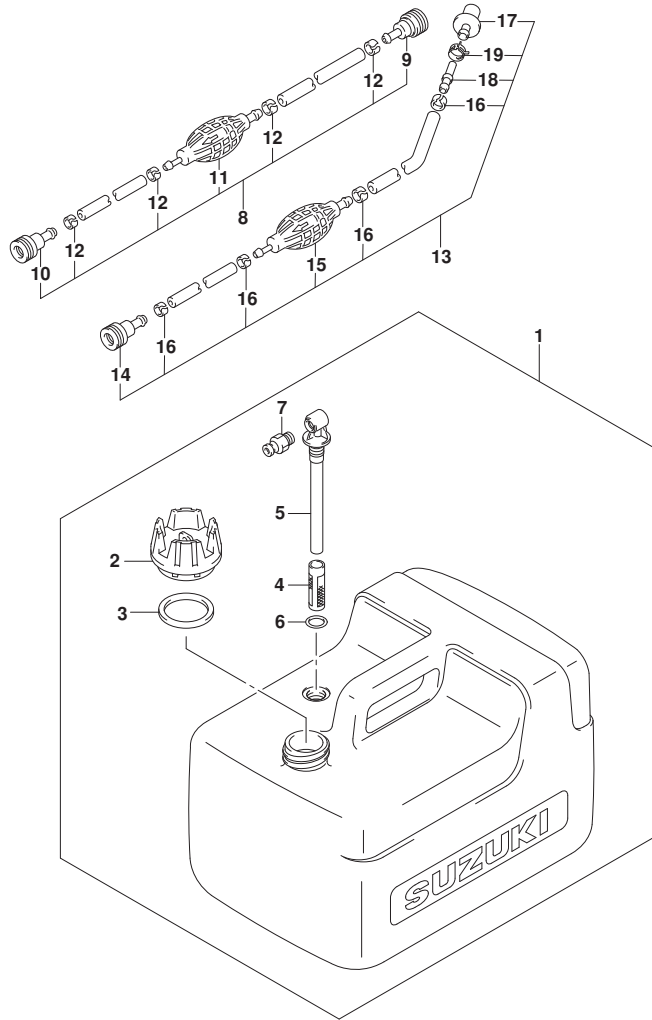


FIG.432C (1-F-10) FUEL TANK (PLASTIC/12L) (DT40WK)

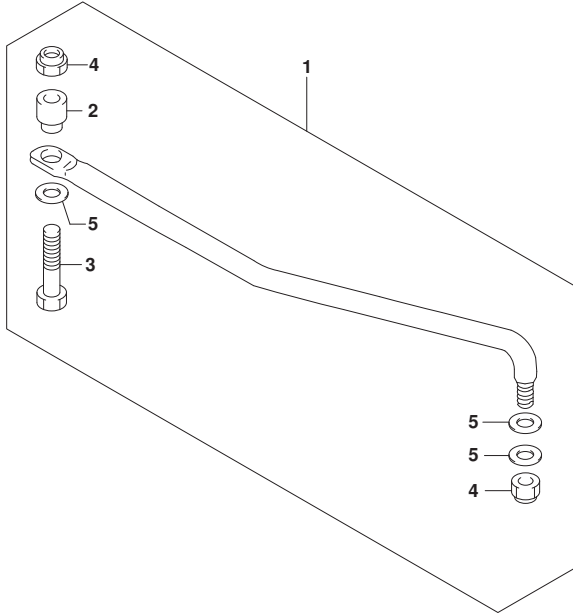
| REF NO. | PART NO. | DESCRIPTION | Q'TY | REMARKS |
|---------|-------------|--------------------------|------|-----------------------------|
| 1 | 65000-99100 | TANK ASSY, FUEL (12L) | 1 | |
| 2 | 65520-99100 | .CAP, FUEL TANK | 1 | |
| 3 | 65561-95D00 | .GASKET, TANK CAP | 1 | |
| 4 | 65831-95D00 | .FILTER, OUTLET | 1 | |
| 5 | 65890-99100 | .OUTLET ASSY | 1 | |
| 6 | 65892-95D00 | .O RING, FUEL OUTLET | 1 | |
| 7 | 65740-99100 | .PLUG, FUEL CONNECTOR | 1 | |
| 8 | 65700-95D05 | HOSE, FUEL (L:2550) | 1 | FOR GASOLINE W/FUEL TANK |
| 9 | 65750-95500 | .SOCKET, FUEL HOSE (OUT) | 1 | |
| 10 | 65750-98505 | .SOCKET, FUEL HOSE (IN) | 1 | |
| 11 | 65770-99J02 | .PUMP, SQUEEZE | 1 | |
| 12 | 65781-98500 | .CLIP | 4 | |
| 13 | 65700-94417 | HOSE, FUEL | 1 | FOR GASOLINE N/FUEL TANK |
| 14 | 65750-95500 | .SOCKET, FUEL HOSE | 1 | |
| 15 | 65770-90J12 | .PUMP, SQUEEZE | 1 | |
| 16 | 65781-98500 | .CLIP | 4 | |
| 17 | 65830-95500 | .FILTER | 1 | |
| 18 | 65842-94401 | .TUBE | 1 | |
| 19 | 09401-10412 | .CLIP | 1 | |

DT40WK P40

FIG.442A

FIG.442A (1-F-11) DRAG LINK (DT40WR)

| REF NO. | PART NO. | DESCRIPTION | QTY | REMARKS |
|---------|-------------|-----------------|-----|---------|
| 1 | 67701-94430 | LINK ASSY, DRAG | 1 | |
| 2 | 67721-94310 | .SPACER | 1 | |
| 3 | 67725-99E20 | .BOLT | 1 | |
| 4 | 67726-99E00 | .NUT | 2 | |
| 5 | 67728-99E00 | .WASHER | 3 | |



DT40WR P40
DT40WR P90

FIG.444A

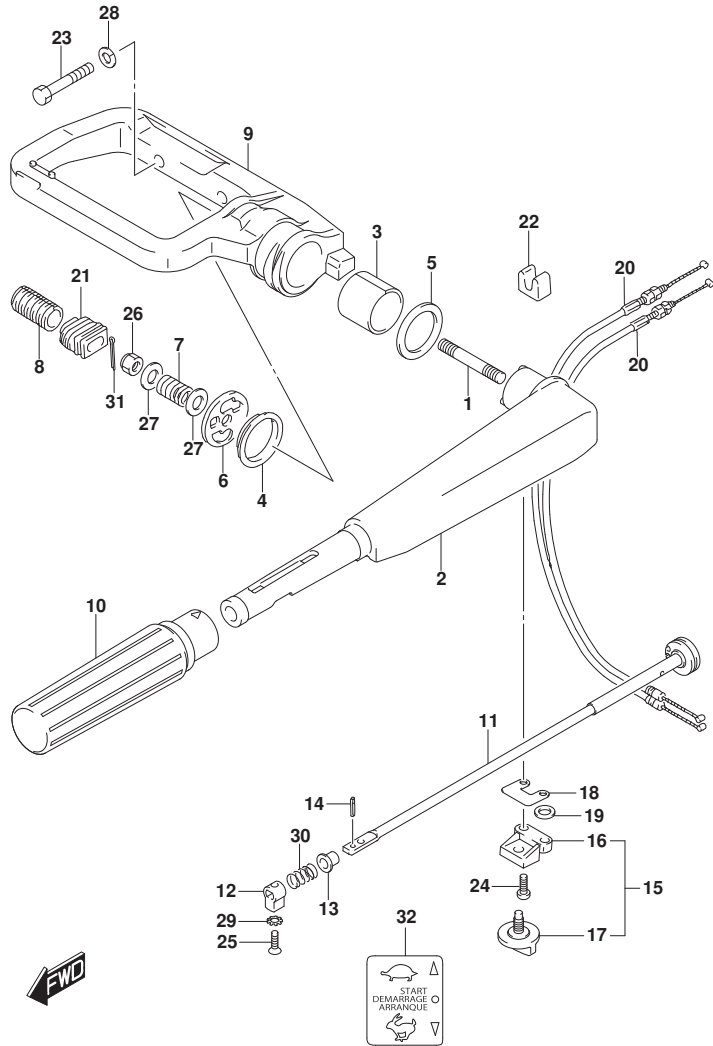


FIG.444A (1-F-12) TILLER HANDLE (DT40W)

| REF NO. | PART NO. | DESCRIPTION | Q'TY | REMARKS |
|---------|-----------------|--------------------------------|------|---------|
| 1 | 09108-10137 | STUD BOLT | 1 | |
| 2 | 63111-92L00-YAY | HANDLE, TILLER (BLACK) | 1 | |
| 3 | 63115-97E00 | BUSH, TILLER HANDLE | 1 | |
| 4 | 63116-97E00 | WASHER, TILLER HANDLE NO.1 | 1 | |
| 5 | 63117-97E01 | WASHER, TILLER HANDLE NO.2 | 1 | |
| 6 | 63125-97E01 | PLATE, TILLER HANDLE | 1 | |
| 7 | 63126-97E01 | SPRING, HANDLE STUD | 1 | |
| 8 | 63128-97E00 | COVER, HANDLE NUT | 1 | |
| 9 | 63131-92L10-YAY | BRACKET, TILLER HANDLE (BLACK) | 1 | |
| 10 | 63210-93E30 | GRIP, HANDLE | 1 | |
| 11 | 63220-91L00 | ROD, HANDLE | 1 | |
| 12 | 63223-92D00 | STOPPER, HANDLE ROD | 1 | |
| 13 | 63225-93200 | BUSH, HANDLE ROD | 1 | |
| 14 | 09205-03038 | SPRING PIN (3X14) | 1 | |
| 15 | 63240-94J10 | ADJUSTER, HANDLE GRIP | 1 | |
| 16 | 63241-986B0 | .SUPPORT, HANDLE ROD | 1 | |
| 17 | 63244-94J00 | .KNOB, THROTTLE ADJUSTER | 1 | |
| 18 | 63225-94J00 | PLATE, HANDLE ROD ADJUSTER | 1 | |
| 19 | 09148-06008 | NUT | 1 | |
| 20 | 63610-92L00 | CABLE, THROTTLE | 2 | |
| 21 | 63625-96300 | GROMMET, THROTTLE CABLE | 1 | |
| 22 | 63627-94400 | GUIDE, THROTTLE CABLE | 1 | |
| 23 | 09100-10317 | BOLT (10X50) | 2 | |
| 24 | 09136-05041 | SCREW (5X20) | 2 | |
| 25 | 09126-06015 | SCREW (6X23) | 1 | |
| 26 | 09159-10050 | NUT | 1 | |
| 27 | 09160-10082 | WASHER (10.5X19X2) | 2 | |
| 28 | 09162-10005 | LOCK WASHER | 2 | |
| 29 | 09163-06001 | LOCK WASHER | 1 | |

FIG.444A

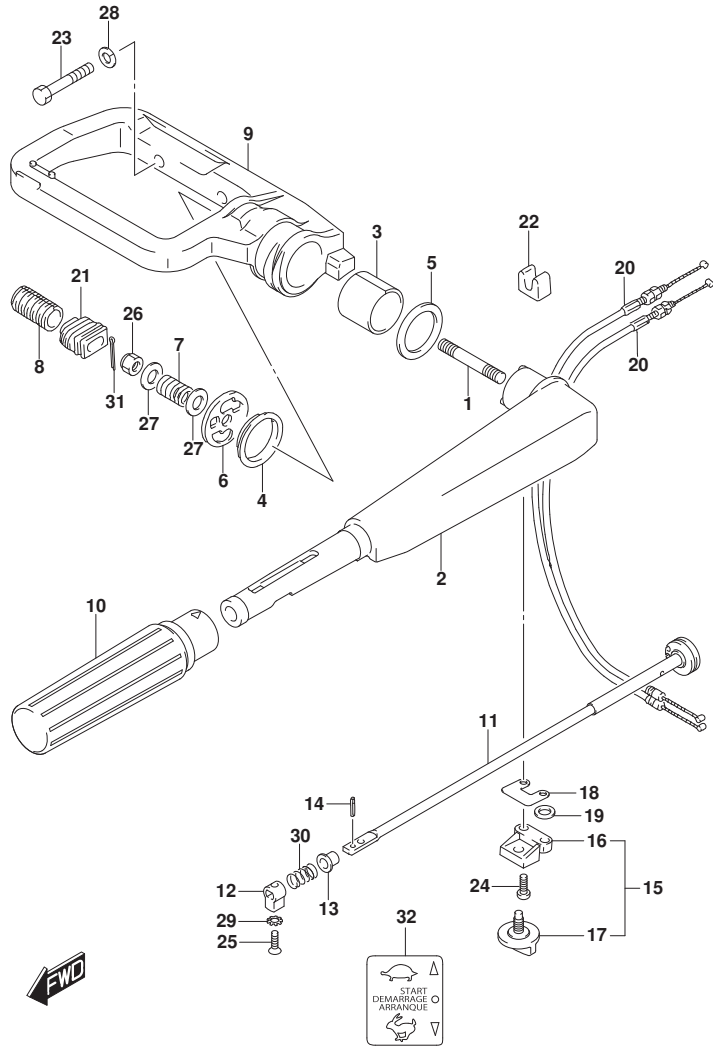


FIG.444A (1-F-13) TILLER HANDLE (DT40W)

| REF NO. | PART NO. | DESCRIPTION | Q'TY | REMARKS |
|---------|-------------|-------------------|------|---------|
| 30 | 09440-12027 | SPRING | 1 | |
| 31 | 09204-01002 | PIN | 1 | |
| 32 | 63215-93401 | MARK, HANDLE GRIP | 1 | |

DT40W P40
DT40W P90

FIG.444B

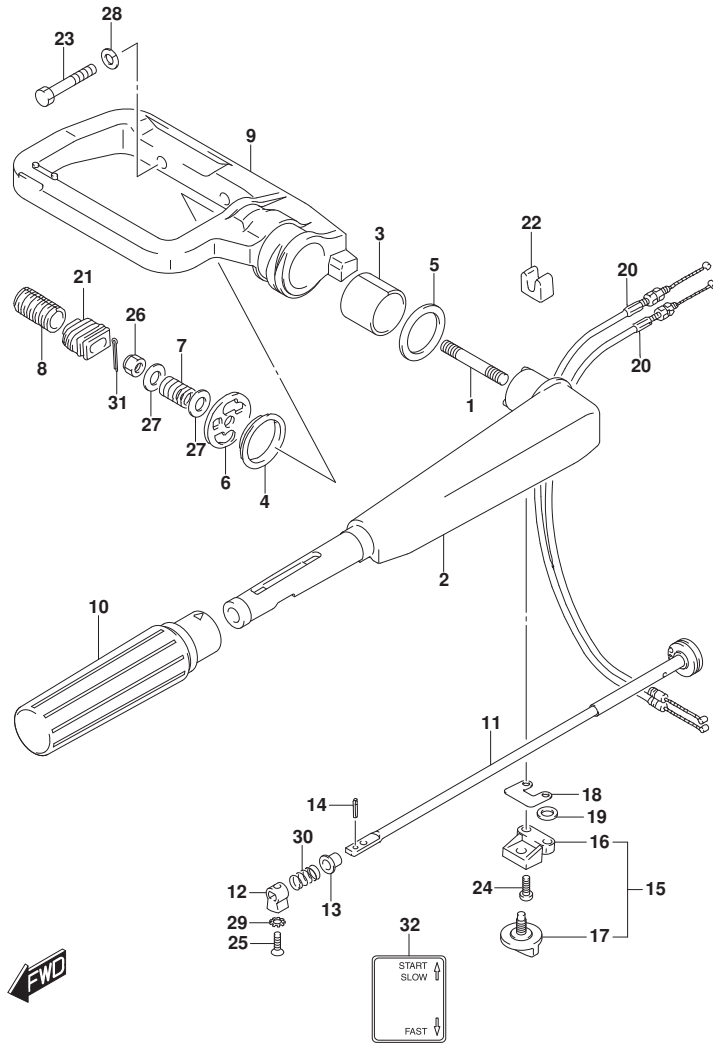


FIG.444B (1-F-14) TILLER HANDLE (DT40WK)

| REF NO. | PART NO. | DESCRIPTION | Q'TY | REMARKS |
|---------|-----------------|--------------------------------|------|---------|
| 1 | 09108-10137 | STUD BOLT | 1 | |
| 2 | 63111-92L00-YAY | HANDLE, TILLER (BLACK) | 1 | |
| 3 | 63115-97E00 | BUSH, TILLER HANDLE | 1 | |
| 4 | 63116-97E00 | WASHER, TILLER HANDLE NO.1 | 1 | |
| 5 | 63117-97E01 | WASHER, TILLER HANDLE NO.2 | 1 | |
| 6 | 63125-97E01 | PLATE, TILLER HANDLE | 1 | |
| 7 | 63126-97E01 | SPRING, HANDLE STUD | 1 | |
| 8 | 63128-97E00 | COVER, HANDLE NUT | 1 | |
| 9 | 63131-92L10-YAY | BRACKET, TILLER HANDLE (BLACK) | 1 | |
| 10 | 63210-93E30 | GRIP, HANDLE | 1 | |
| 11 | 63220-91L00 | ROD, HANDLE | 1 | |
| 12 | 63223-89E00 | STOPPER, HANDLE ROD | 1 | |
| 13 | 63225-93200 | BUSH, HANDLE ROD | 1 | |
| 14 | 09205-03038 | SPRING PIN (3X14) | 1 | |
| 15 | 63240-94J10 | ADJUSTER, HANDLE GRIP | 1 | |
| 16 | 63241-986B0 | .SUPPORT, HANDLE ROD | 1 | |
| 17 | 63244-94J00 | .KNOB, THROTTLE ADJUSTER | 1 | |
| 18 | 63225-94J00 | PLATE, HANDLE ROD ADJUSTER | 1 | |
| 19 | 09148-06008 | NUT | 1 | |
| 20 | 63610-92L00 | CABLE, THROTTLE | 2 | |
| 21 | 63625-96300 | GROMMET, THROTTLE CABLE | 1 | |
| 22 | 63627-94400 | GUIDE, THROTTLE CABLE | 1 | |
| 23 | 09100-10317 | BOLT (10X50) | 2 | |
| 24 | 09136-05041 | SCREW (5X20) | 2 | |
| 25 | 09126-06015 | SCREW (6X23) | 1 | |
| 26 | 09159-10050 | NUT | 1 | |
| 27 | 09160-10082 | WASHER (10.5X19X2) | 2 | |
| 28 | 09162-10005 | LOCK WASHER | 2 | |
| 29 | 09163-06001 | LOCK WASHER | 1 | |
| 30 | 09440-12027 | SPRING | 1 | |
| 31 | 09204-01002 | PIN | 1 | |
| 32 | 63215-93450 | MARK, HANDLE GRIP | 1 | |

DT40WK P40

FIG.450A

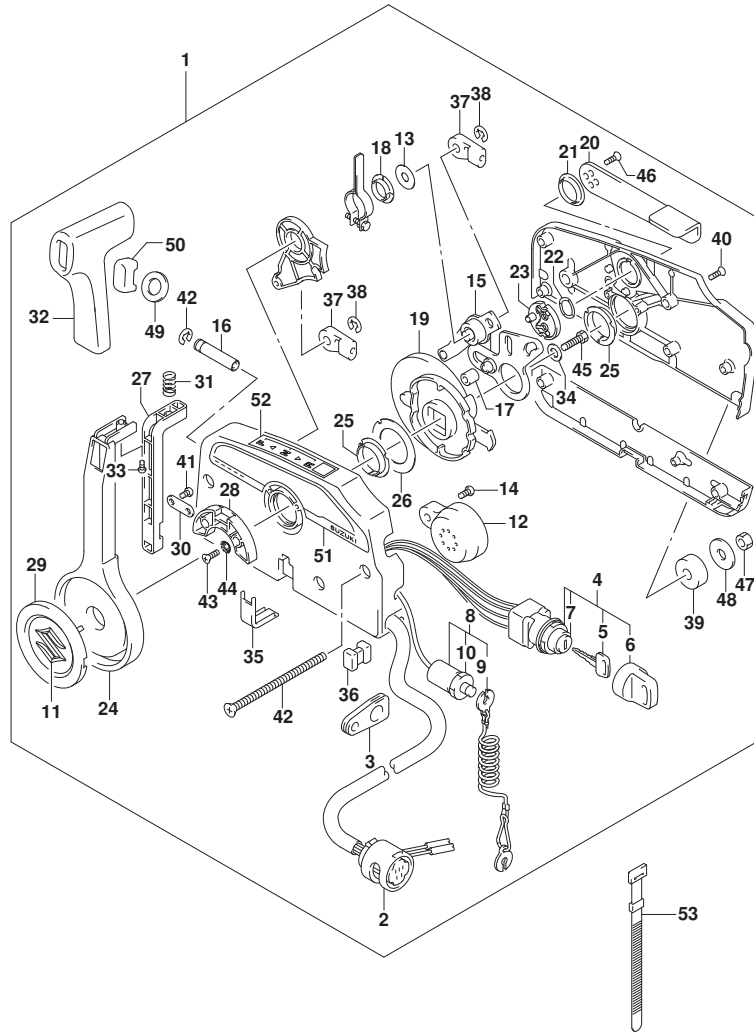


FIG.450A (1-F-15) REMOTE CONTROL (DT40WR)

| REF NO. | PART NO. | DESCRIPTION | Q'TY | REMARKS |
|---------|-----------------|--------------------------|------|---------|
| 1 | 67200-97E50 | REMOTE CONTROL ASSY | 1 | |
| 2 | 36620-92E20 | .WIRE ASSY, REMOCON | 1 | |
| 3 | 36628-92E00 | .GROMMET | 1 | |
| 4 | 37110-99E01 | .SWITCH ASSY, IGNITION | 1 | |
| 5-1 | 37141-99E00 | ..KEY (931) | 1 | |
| 5-2 | 37141-99E10 | ..KEY (932) | 1 | |
| 5-3 | 37141-99E20 | ..KEY (933) | 1 | |
| 5-4 | 37141-99E30 | ..KEY (934) | 1 | |
| 5-5 | 37141-99E40 | ..KEY (935) | 1 | |
| 5-6 | 37141-99E50 | ..KEY (936) | 1 | |
| 5-7 | 37141-99E60 | ..KEY (937) | 1 | |
| 5-8 | 37141-99E70 | ..KEY (938) | 1 | |
| 5-9 | 37141-99E80 | ..KEY (939) | 1 | |
| 5-10 | 37141-99E90 | ..KEY (940) | 1 | |
| 5-11 | 37141-99EA0 | ..KEY (941) | 1 | |
| 5-12 | 37141-99EB0 | ..KEY (942) | 1 | |
| 6 | 37143-99E00 | ..CAP, KEY | 1 | |
| 7 | 37149-93J00 | ..CAP, CYLINDER BODY | 1 | |
| 8 | 37820-92E04 | .SWITCH ASSY, EMERGENCY | 1 | |
| 9 | 37823-92E01 | ..PLATE | 1 | |
| 10 | 37826-92J00 | ..NUT | 1 | |
| 11 | 77811-54GB0-0PG | .EMBLEM, SUZUKI (CHROME) | 1 | |
| 12 | 38500-92X50 | .BUZZER, WARNING | 1 | |
| 13 | 67212-95600 | .WASHER | 1 | |
| 14 | 67214-92E00 | .SCREW (5X20) | 1 | |
| 15 | 67220-95620 | .PLATE ASSY | 1 | |
| 16 | 67223-99E10 | .KNOB, BRAKE ADJUST | 1 | |
| 17 | 67229-95600 | .ROLLER | 1 | |
| 18 | 67232-95600 | .BUSH | 1 | |
| 19 | 67238-87D00 | .GEAR, DRIVE | 1 | |
| 20 | 67241-99E10 | .LEVER, FREE THROTTLE | 1 | |
| 21 | 67243-95600 | .BUSH | 1 | |
| 22 | 67244-95600 | .WAVE WASHER | 1 | |
| 23 | 67245-95600 | .DRUM, FREE THROTTLE | 1 | |

FIG.450A

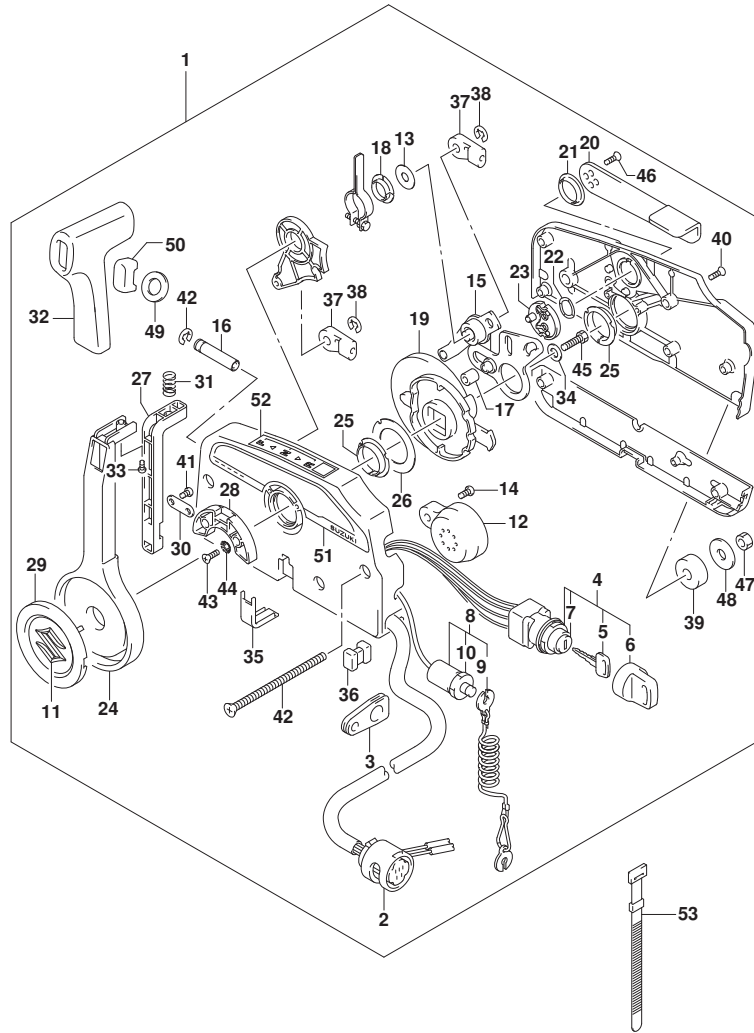


FIG.450A (1-G-2) REMOTE CONTROL (DT40WR)

| REF NO. | PART NO. | DESCRIPTION | Q'TY | REMARKS |
|---------|-------------|----------------------|------|---------|
| 24 | 67251-99E20 | .LEVER, HANDLE | 1 | |
| 25 | 67252-95600 | .BUSH | 2 | |
| 26 | 67253-95600 | .WASHER | 1 | |
| 27 | 67255-99E10 | .ARM, LOCK | 1 | |
| 28 | 67256-95600 | .HOLDER, NEUT LOCK | 1 | |
| 29 | 67257-99E10 | .CAP, LEVER | 1 | |
| 30 | 67258-99E00 | .BRACKET | 1 | |
| 31 | 67259-87D00 | .SPRING, NEUTRAL ARM | 1 | |
| 32 | 67261-99E10 | .GRIP | 1 | |
| 33 | 67296-94310 | .SCREW, BUZZER BRKT | 1 | |
| 34 | 67264-95600 | .WASHER | 1 | |
| 35 | 67267-93J00 | .COVER, WIRE | 1 | |
| 36 | 67273-95600 | .SPACER | 1 | |
| 37 | 67275-95600 | .END, CABLE | 2 | |
| 38 | 67292-94300 | .E RING | 3 | |
| 39 | 67294-95600 | .SPACER | 3 | |
| 40 | 67296-90J10 | .SCREW, COVER | 5 | |
| 41 | 67296-94300 | .SCREW | 2 | |
| 42 | 67296-95600 | .SCREW | 3 | |
| 43 | 67296-95610 | .SCREW | 2 | |
| 44 | 67297-95600 | .WASHER | 2 | |
| 45 | 09100-08232 | .BOLT (8X30) | 1 | |
| 46 | 09126-05003 | .SCREW (5X12) | 2 | |
| 47 | 09140-06020 | .NUT | 3 | |
| 48 | 09160-06104 | .WASHER (6.5X24X2) | 3 | |
| 49 | 37859-90J00 | .SPACER | 1 | |
| 50 | 37864-94J10 | .CAP, PTT SW | 1 | |
| 51 | 67282-94L00 | .DECAL, REMOCON SIDE | 1 | |
| 52 | 67284-94L00 | .MARK, HANDLE LEVER | 1 | |
| 53 | 09407-12402 | .CLAMP (L:120) | 2 | |

DT40WR P40
DT40WR P90

FIG.454A

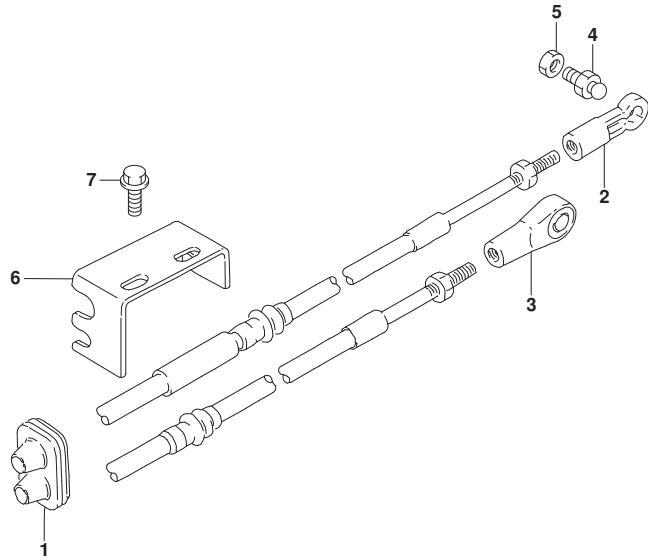


FIG.454A (1-G-3) REMOCON CABLE HOLDER (DT40WR)

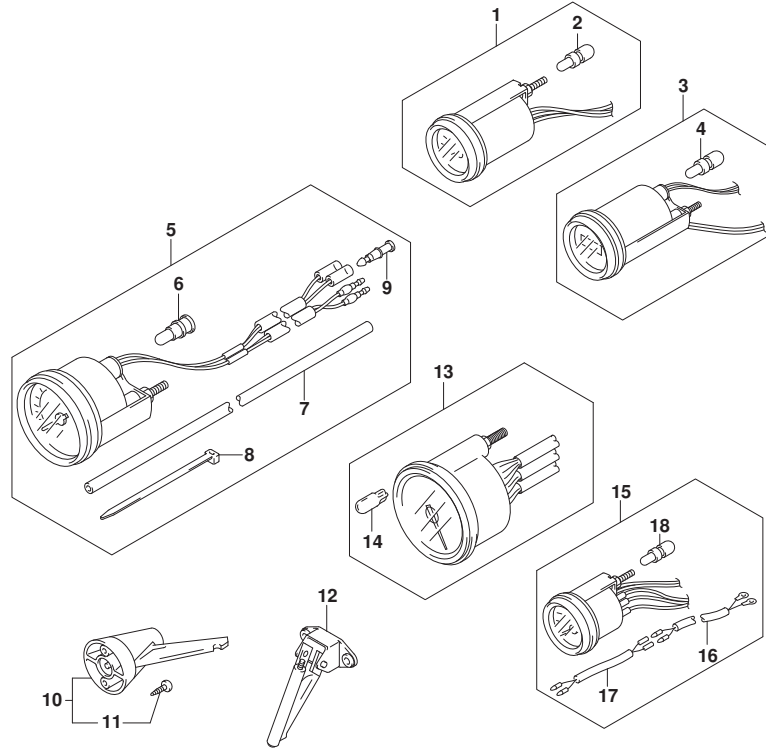
| REF NO. | PART NO. | DESCRIPTION | Q'TY | REMARKS |
|---------|-------------|---------------------------|------|---------|
| 1 | 67331-94400 | GROMMET, REMOCON CABLE | 1 | |
| 2 | 67466-95200 | CONNECTOR, THROTTLE CABLE | 1 | |
| 3 | 67467-94404 | CONNECTOR, CLUTCH CABLE | 1 | |
| 4 | 09119-06047 | PIVOT | 1 | |
| 5 | 29141-93J00 | NUT | 1 | |
| 6 | 67341-94400 | HOLDER, REMOCON CABLE | 1 | |
| 7 | 09116-06225 | BOLT (6X15) | 2 | |

DT40WR P40
DT40WR P90

FIG.501A

FIG.501A (1-G-4) OPT:METER (DT40W)(DT40WR)

| REF NO. | PART NO. | DESCRIPTION | Q'TY | REMARKS |
|---------|-------------|--------------------------|------|-------------------|
| 1-1 | 34600-93J00 | METER ASSY, VOLTAGE | 1 | BLACK |
| 1-2 | 34600-93J11 | METER ASSY, VOLTAGE | 1 | WHITE |
| 2 | 09471-12103 | .BULB (12V,3W,T6.5) | 1 | |
| 3-1 | 34500-93J00 | METER ASSY, HOUR | 1 | BLACK |
| 3-2 | 34500-93J11 | METER ASSY, HOUR | 1 | WHITE |
| 4 | 09471-12103 | .BULB (12V,3W,T6.5) | 1 | |
| 5-1 | 34100-93J20 | SPEEDOMETER ASSY | 1 | MAX 80KM/H BLACK |
| 5-2 | 34100-93J31 | SPEEDOMETER ASSY | 1 | MAX 80KM/H WHITE |
| 5-3 | 34100-93J40 | SPEEDOMETER ASSY | 1 | MAX 45KNOTS BLACK |
| 5-4 | 34100-93J51 | SPEEDOMETER ASSY | 1 | MAX 45KNOTS WHITE |
| 6 | 09471-12028 | .BULB (12V3.4W,T10) | 1 | |
| 7 | 34191-92E00 | .TUBE | 1 | |
| 8 | 09407-14407 | .CLAMP (L:145) | 2 | |
| 9 | 36615-96300 | .TERMINAL, RESIN | 2 | |
| 10 | 34190-95500 | SENDER ASSY, SPEEDOMETER | 1 | |
| 11 | 03112-0630B | .SCREW | 2 | |
| 12 | 34190-87D00 | SENDER ASSY, SPEEDOMETER | 1 | |
| 13-1 | 34200-93J20 | TACHOMETER ASSY | 1 | BLACK |
| 13-2 | 34200-93J32 | TACHOMETER ASSY | 1 | WHITE |
| 14 | 09471-12028 | .BULB (12V3.4W,T10) | 1 | |
| 15-1 | 34300-93J00 | GAUGE ASSY, FUEL | 1 | BLACK |
| 15-2 | 34300-93J11 | GAUGE ASSY, FUEL | 1 | WHITE |
| 16 | 34310-92E00 | .LEAD, FUEL GAUGE | 1 | |
| 17 | 34360-92E00 | .ADAPTER, FUEL GAUGE | 1 | |
| 18 | 09471-12103 | .BULB (12V,3W,T6.5) | 1 | |



DT40W P40
 DT40W P90
 DT40WR P40
 DT40WR P90

FIG.508A

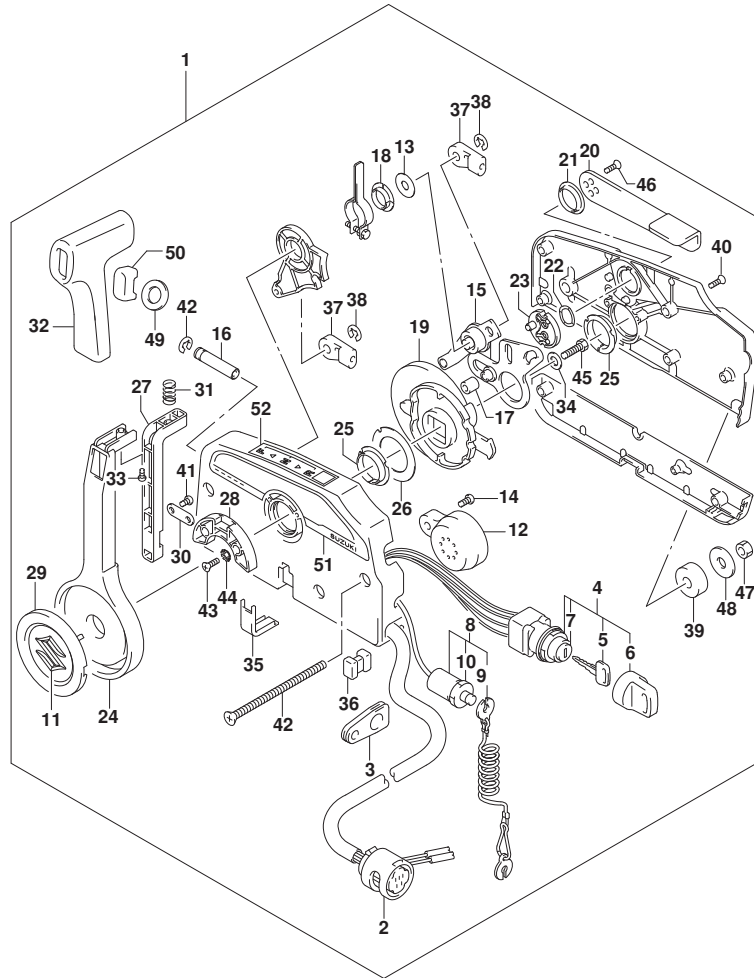


FIG.508A (1-G-5) OPT:REMOTE CONTROL

| REF NO. | PART NO. | DESCRIPTION | Q'TY | REMARKS |
|---------|-----------------|--------------------------|------|---------|
| 1 | 67200-97E50 | REMOTE CONTROL ASSY | 1 | |
| 2 | 36620-92E20 | .WIRE ASSY, REMOCON | 1 | |
| 3 | 36628-92E00 | .GROMMET | 1 | |
| 4 | 37110-99E01 | .SWITCH ASSY, IGNITION | 1 | |
| 5-1 | 37141-99E00 | ..KEY (931) | 1 | |
| 5-2 | 37141-99E10 | ..KEY (932) | 1 | |
| 5-3 | 37141-99E20 | ..KEY (933) | 1 | |
| 5-4 | 37141-99E30 | ..KEY (934) | 1 | |
| 5-5 | 37141-99E40 | ..KEY (935) | 1 | |
| 5-6 | 37141-99E50 | ..KEY (936) | 1 | |
| 5-7 | 37141-99E60 | ..KEY (937) | 1 | |
| 5-8 | 37141-99E70 | ..KEY (938) | 1 | |
| 5-9 | 37141-99E80 | ..KEY (939) | 1 | |
| 5-10 | 37141-99E90 | ..KEY (940) | 1 | |
| 5-11 | 37141-99EA0 | ..KEY (941) | 1 | |
| 5-12 | 37141-99EB0 | ..KEY (942) | 1 | |
| 6 | 37143-99E00 | ..CAP, KEY | 1 | |
| 7 | 37149-93J00 | ..CAP, CYLINDER BODY | 1 | |
| 8 | 37820-92E04 | .SWITCH ASSY, EMERGENCY | 1 | |
| 9 | 37823-92E01 | ..PLATE | 1 | |
| 10 | 37826-92J00 | ..NUT | 1 | |
| 11 | 77811-54GB0-0PG | .EMBLEM, SUZUKI (CHROME) | 1 | |
| 12 | 38500-92X50 | .BUZZER, WARNING | 1 | |
| 13 | 67212-95600 | .WASHER | 1 | |
| 14 | 67214-92E00 | .SCREW (5X20) | 1 | |
| 15 | 67220-95620 | .PLATE ASSY | 1 | |
| 16 | 67223-99E10 | .KNOB, BRAKE ADJUST | 1 | |
| 17 | 67229-95600 | .ROLLER | 1 | |
| 18 | 67232-95600 | .BUSH | 1 | |
| 19 | 67238-87D00 | .GEAR, DRIVE | 1 | |
| 20 | 67241-99E10 | .LEVER, FREE THROTTLE | 1 | |
| 21 | 67243-95600 | .BUSH | 1 | |
| 22 | 67244-95600 | .WAVE WASHER | 1 | |
| 23 | 67245-95600 | .DRUM, FREE THROTTLE | 1 | |

FIG.508A

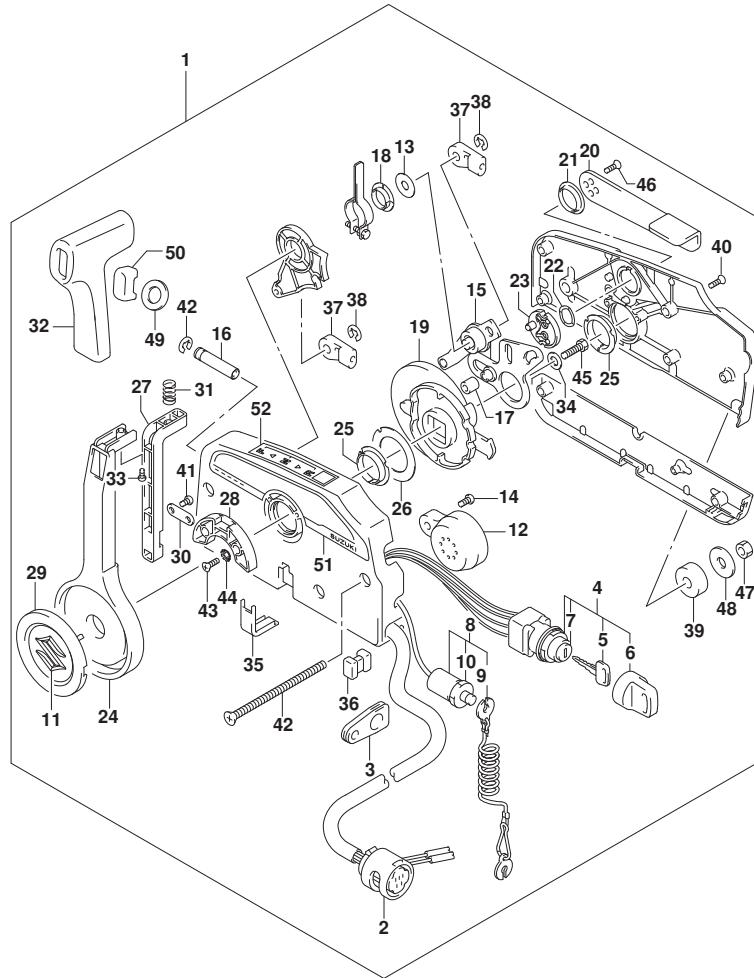


FIG.508A (1-G-6) OPT:REMOTE CONTROL

| REF NO. | PART NO. | DESCRIPTION | Q'TY | REMARKS |
|---------|-------------|----------------------|------|---------|
| 24 | 67251-99E20 | .LEVER, HANDLE | 1 | |
| 25 | 67252-95600 | .BUSH | 2 | |
| 26 | 67253-95600 | .WASHER | 1 | |
| 27 | 67255-99E10 | ARM, LOCK | 1 | |
| 28 | 67256-95600 | .HOLDER, NEUT LOCK | 1 | |
| 29 | 67257-99E10 | .CAP, LEVER | 1 | |
| 30 | 67258-99E00 | .BRACKET | 1 | |
| 31 | 67259-87D00 | .SPRING, NEUTRAL ARM | 1 | |
| 32 | 67261-99E10 | .GRIP | 1 | |
| 33 | 67296-94310 | .SCREW, BUZZER BRKT | 1 | |
| 34 | 67264-95600 | .WASHER | 1 | |
| 35 | 67267-93J00 | .COVER, WIRE | 1 | |
| 36 | 67273-95600 | .SPACER | 1 | |
| 37 | 67275-95600 | END, CABLE | 2 | |
| 38 | 67292-94300 | E RING | 3 | |
| 39 | 67294-95600 | .SPACER | 3 | |
| 40 | 67296-90J10 | .SCREW, COVER | 5 | |
| 41 | 67296-94300 | .SCREW | 2 | |
| 42 | 67296-95600 | .SCREW | 3 | |
| 43 | 67296-95610 | .SCREW | 2 | |
| 44 | 67297-95600 | .WASHER | 2 | |
| 45 | 09100-08232 | BOLT (8X30) | 1 | |
| 46 | 09126-05003 | .SCREW (5X12) | 2 | |
| 47 | 09140-06020 | .NUT | 3 | |
| 48 | 09160-06104 | .WASHER (6.5X24X2) | 3 | |
| 49 | 37859-90J00 | .SPACER | 1 | |
| 50 | 37864-94J10 | .CAP, PTT SW | 1 | |
| 51 | 67282-94L00 | .DECAL, REMOCON SIDE | 1 | |
| 52 | 67284-94L00 | .MARK, HANDLE LEVER | 1 | |

FIG.513A

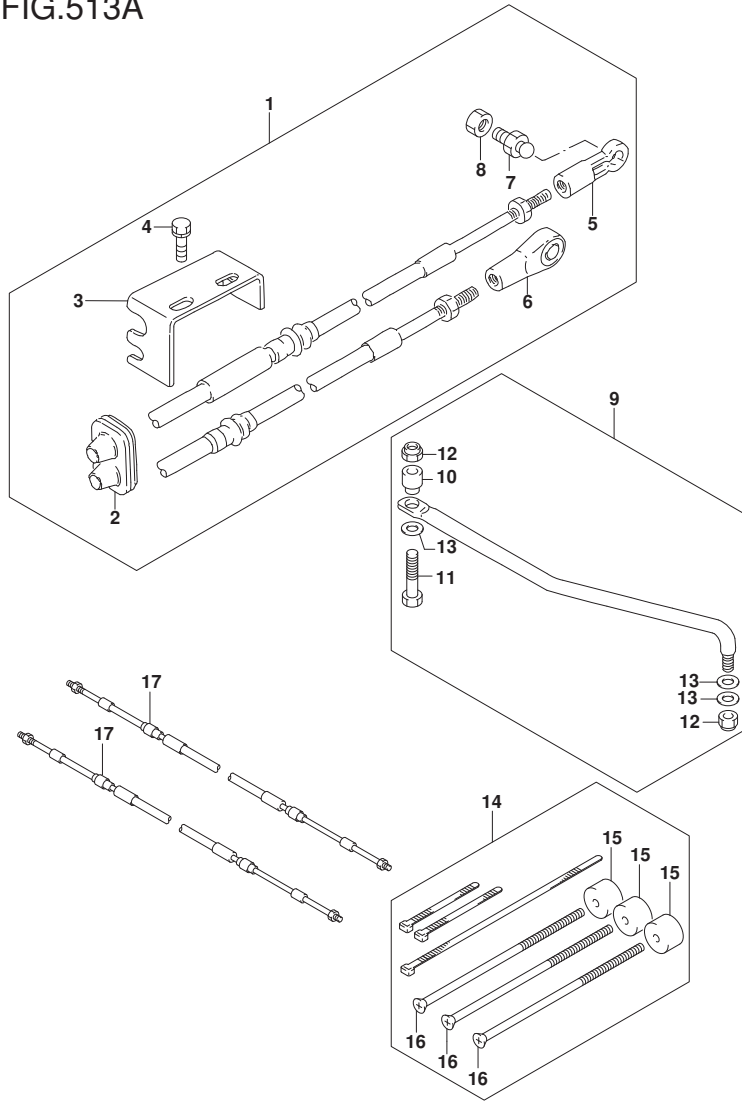


FIG.513A (1-G-7) OPT:REMOTE CONTROL PARTS (DT40W)(DT40WK)

| REF NO. | PART NO. | DESCRIPTION | Q'TY | REMARKS |
|---------|-------------|--------------------------------|------|---------|
| 1 | 67130-94812 | PARTS ASSY, REMOCON | 1 | |
| 2 | 67331-94400 | .GROMMET, REMOCON CABLE | 1 | |
| 3 | 67341-94400 | .HOLDER, REMOCON CABLE | 1 | |
| 4 | 09116-06237 | .BOLT (6X15) | 2 | |
| 5 | 67466-95200 | .CONNECTOR, REMOCON CABLE | 1 | |
| 6 | 67467-94404 | .CONNECTOR, REMOCON CABLE (CL) | 1 | |
| 7 | 09119-06047 | .PIVOT | 1 | |
| 8 | 29141-93J00 | .NUT | 1 | |
| 9 | 67701-94430 | LINK ASSY, DRAG | 1 | |
| 10 | 67721-94310 | .SPACER | 1 | |
| 11 | 67725-99E20 | .BOLT | 1 | |
| 12 | 67726-99E00 | .NUT | 2 | |
| 13 | 67728-99E00 | .WASHER | 3 | |
| 14 | 67140-95600 | ATTACHMENT KIT, TWIN R/CON | 1 | |
| 15 | 67294-95600 | .SPACER | 3 | |
| 16 | 67296-95621 | .SCREW | 3 | |
| 17-1 | 67320-93J00 | CABLE, REMOCON 8F (2.4M) | 2 | |
| 17-2 | 67320-93J10 | CABLE, REMOCON 10F (3.1M) | 2 | |
| 17-3 | 67320-93J20 | CABLE, REMOCON 12F (3.7M) | 2 | |
| 17-4 | 67320-93J30 | CABLE, REMOCON 14F (4.2M) | 2 | |
| 17-5 | 67320-93J40 | CABLE, REMOCON 16F (4.8M) | 2 | |
| 17-6 | 67320-93J50 | CABLE, REMOCON 18F (5.4M) | 2 | |
| 17-7 | 67320-93J60 | CABLE, REMOCON 20F (6.1M) | 2 | |
| 17-8 | 67320-93J70 | CABLE, REMOCON 22F (6.7M) | 2 | |
| 17-9 | 67320-93J80 | CABLE, REMOCON 24F (7.3M) | 2 | |

DT40W P40
 DT40W P90
 DT40WK P40

FIG.513B

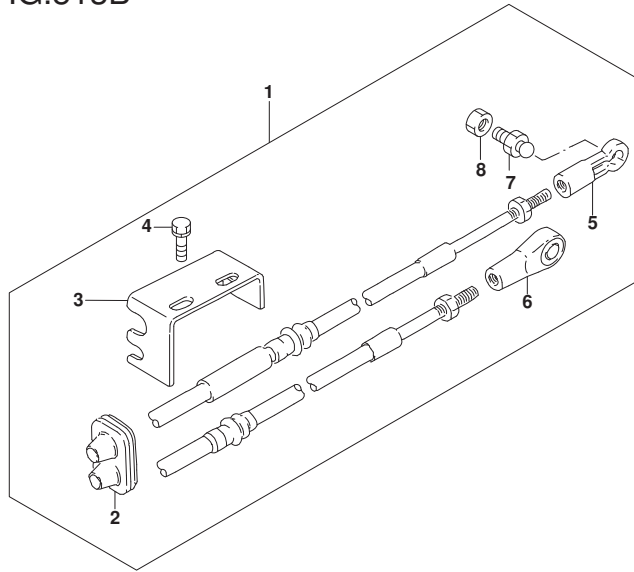


FIG.513B (1-G-8) OPT:REMOTE CONTROL PARTS (DT40WR)

| REF NO. | PART NO. | DESCRIPTION | Q'TY | REMARKS |
|---------|-------------|--------------------------------|------|---------|
| 1 | 67130-94812 | PARTS ASSY, REMOCON | 1 | |
| 2 | 67331-94400 | .GROMMET, REMOCON CABLE | 1 | |
| 3 | 67341-94400 | .HOLDER, REMOCON CABLE | 1 | |
| 4 | 09116-06237 | .BOLT (6X15) | 2 | |
| 5 | 67466-95200 | .CONNECTOR, REMOCON CABLE | 1 | |
| 6 | 67467-94404 | .CONNECTOR, REMOCON CABLE (CL) | 1 | |
| 7 | 09119-06047 | .PIVOT | 1 | |
| 8 | 29141-93J00 | .NUT | 1 | |
| 9 | 67140-95600 | ATTACHMENT KIT, TWIN R/CON | 1 | |
| 10 | 67294-95600 | .SPACER | 3 | |
| 11 | 67296-95621 | .SCREW | 3 | |
| 12-1 | 67320-93J00 | CABLE, REMOCON 8F (2.4M) | 2 | |
| 12-2 | 67320-93J10 | CABLE, REMOCON 10F (3.1M) | 2 | |
| 12-3 | 67320-93J20 | CABLE, REMOCON 12F (3.7M) | 2 | |
| 12-4 | 67320-93J30 | CABLE, REMOCON 14F (4.2M) | 2 | |
| 12-5 | 67320-93J40 | CABLE, REMOCON 16F (4.8M) | 2 | |
| 12-6 | 67320-93J50 | CABLE, REMOCON 18F (5.4M) | 2 | |
| 12-7 | 67320-93J60 | CABLE, REMOCON 20F (6.1M) | 2 | |
| 12-8 | 67320-93J70 | CABLE, REMOCON 22F (6.7M) | 2 | |
| 12-9 | 67320-93J80 | CABLE, REMOCON 24F (7.3M) | 2 | |

DT40WR P40
DT40WR P90

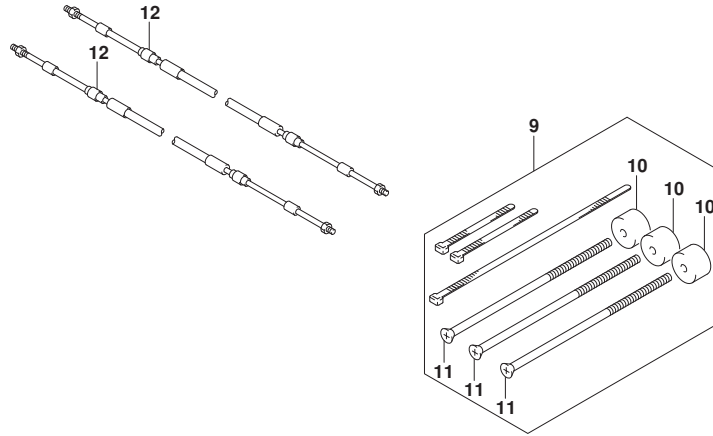


FIG.550A

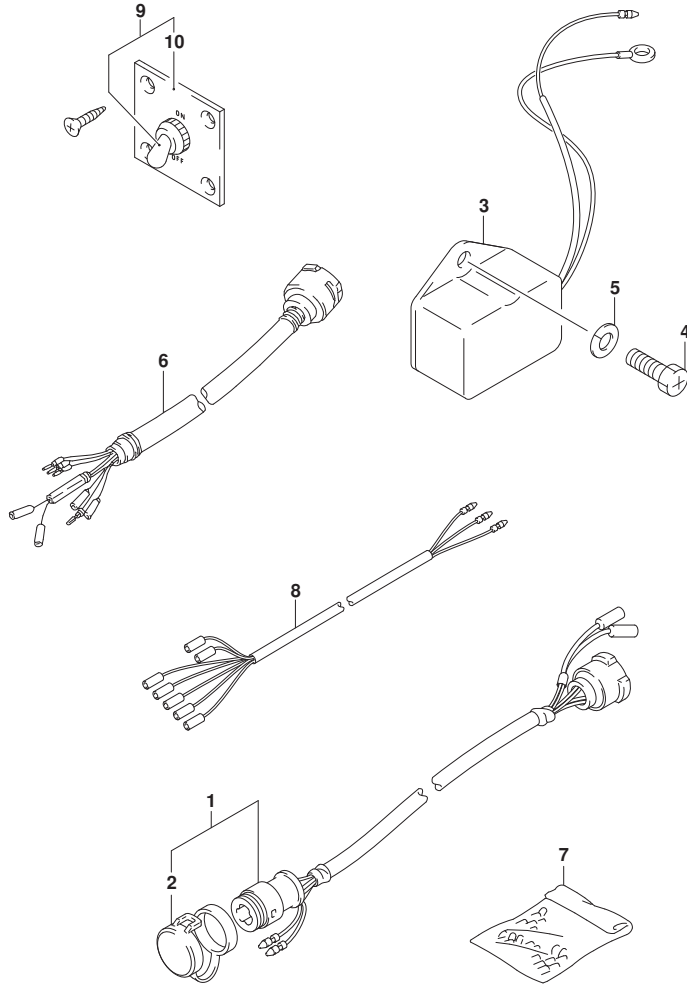


FIG.550A (1-G-9) OPT:ELECTRICAL (DT40WR)

| REF NO. | PART NO. | DESCRIPTION | Q'TY | REMARKS |
|---------|-------------|--------------------------------|------|---------|
| 1-1 | 36620-87D20 | WIRING HARNESS EXTENSION | 1 | L:5000 |
| 1-2 | 36620-95302 | WIRING HARNESS EXTENSION | 1 | L:2000 |
| 2 | 36631-94300 | .CAP | 1 | |
| 3 | 32500-95722 | REGULATOR ASSY, VOLTAGE | 1 | |
| 4 | 02162-06127 | SCREW | 2 | |
| 5 | 08321-01067 | LOCK WASHER | 2 | |
| 6 | 36620-92E00 | WIRING ASSY, REMOCON EXTENSION | 1 | |
| 7 | 36990-87D00 | TERMINAL/SLEEVE SET | 1 | |
| 8 | 36630-92E00 | WIRE, INSTRUMENT | 1 | |
| 9 | 37210-93J00 | PANEL ASSY, LIGHTING SW | 1 | |
| 10 | 37212-93J00 | .PANEL, LIGHTING SW | 1 | |

DT40WR P40
DT40WR P90

FIG.553A

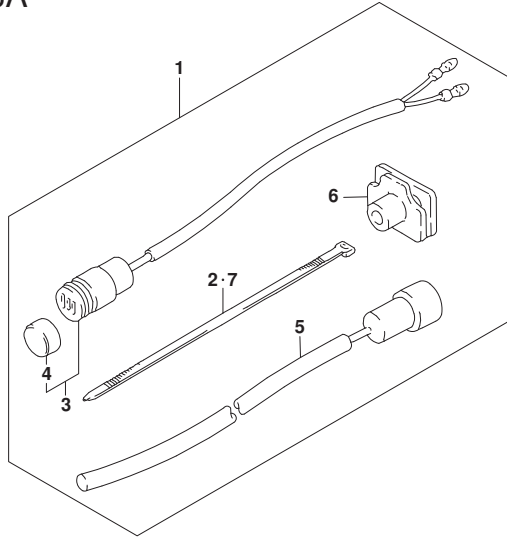
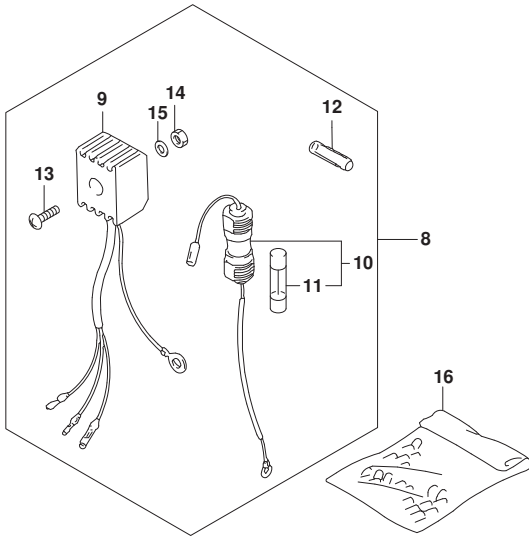


FIG.553A (1-G-10) OPT:ELECTRICAL (MANUAL STARTER) (DT40W)(DT40WK)

| REF NO. | PART NO. | DESCRIPTION | Q'TY | REMARKS |
|---------|-------------|----------------------------|------|---------|
| 1 | 39600-93910 | RECEPTACLE SET | 1 | |
| 2 | 09407-25402 | .CLAMP (L:250) | 1 | |
| 3 | 39601-95D00 | .RECEPTACLE ASSY, LIGHTING | 1 | |
| 4 | 36634-93910 | .CAP | 1 | |
| 5 | 39602-93900 | .PLUG ASSY, LIGHTING | 1 | |
| 6 | 39603-94400 | .GROMMET, LIGHTING CABLE | 1 | |
| 7 | 09407-10403 | .CLAMP (L:95) | 1 | |
| 8 | 32801-94402 | RECTIFIER SET | 1 | |
| 9 | 32800-95D01 | .RECTIFIER ASSY | 1 | |
| 10 | 36740-95253 | .CASE ASSY, FUSE | 1 | |
| 11 | 09481-20001 | ..FUSE (20A) | 1 | |
| 12 | 37132-93700 | .CONNECTOR, LEAD | 1 | |
| 13 | 02142-05257 | .SCREW | 1 | |
| 14 | 08310-00057 | .NUT | 1 | |
| 15 | 08321-0105A | .LOCK WASHER | 1 | |
| 16 | 36990-87D00 | TERMINAL/SLEEVE SET | 1 | |



DT40W P40
 DT40W P90
 DT40WK P40

FIG.554A

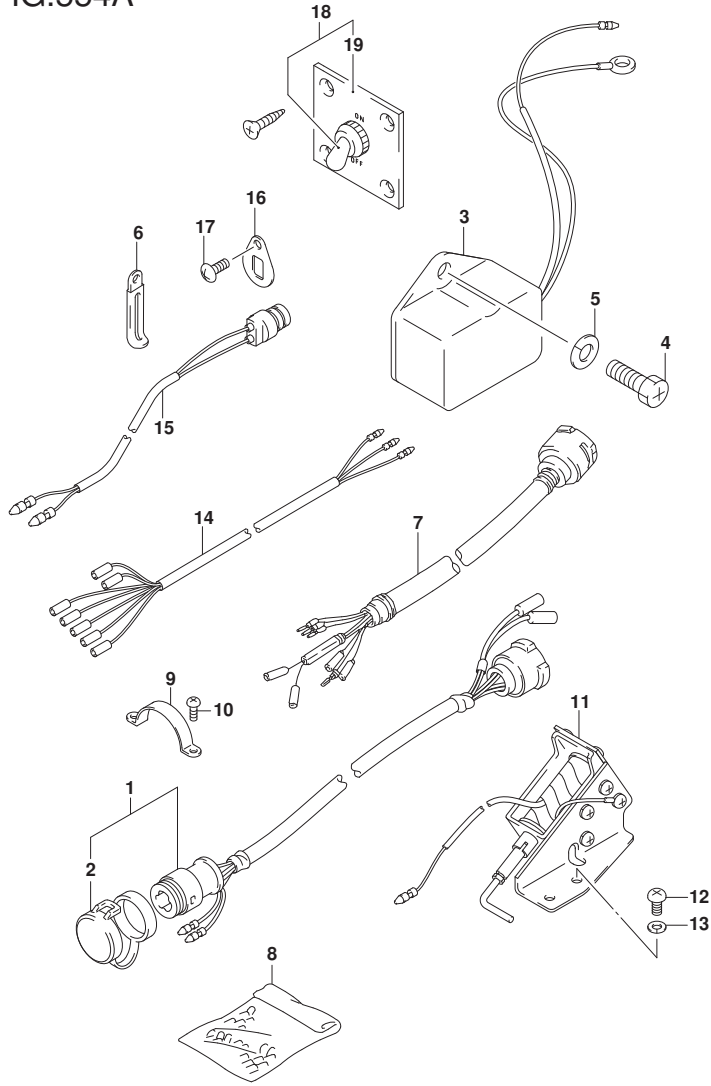


FIG.554A (1-G-11) OPT:ELECTRICAL (ELECTRIC STARTER) (DT40W)

| REF NO. | PART NO. | DESCRIPTION | Q'TY | REMARKS |
|---------|-------------|--------------------------------|------|---------|
| 1-1 | 36620-87D20 | WIRING HARNESS EXTENSION | 1 | L:5000 |
| 1-2 | 36620-95302 | WIRING HARNESS EXTENSION | 1 | L:2000 |
| 2 | 36631-94300 | .CAP | 1 | |
| 3 | 32500-95722 | REGULATOR ASSY, VOLTAGE | 1 | |
| 4 | 02162-06127 | SCREW | 2 | |
| 5 | 08321-01067 | LOCK WASHER | 2 | |
| 6 | 29404-93J10 | CLAMP | 1 | |
| 7 | 36620-92E00 | WIRING ASSY, REMOCON EXTENSION | 1 | |
| 8 | 36990-87D00 | TERMINAL/SLEEVE SET | 1 | |
| 9 | 38501-95500 | BAND, BUZZER | 1 | |
| 10 | 02112-05087 | SCREW | 2 | |
| 11 | 38600-94400 | SOLENOID ASSY, CHOKE | 1 | |
| 12 | 02112-05107 | SCREW | 2 | |
| 13 | 08321-0105A | LOCK WASHER | 2 | |
| 14 | 36630-92E00 | WIRE, INSTRUMENT | 1 | |
| 15 | 34850-94610 | SENSOR ASSY, HEAT | 1 | |
| 16 | 34853-94700 | SUPPORTER, HEAT SENSOR | 1 | |
| 17 | 29125-93J00 | SCREW | 1 | |
| 18 | 37210-93J00 | PANEL ASSY, LIGHTING SW | 1 | |
| 19 | 37212-93J00 | .PANEL, LIGHTING SW | 1 | |

DT40W P40
DT40W P90

FIG.561A

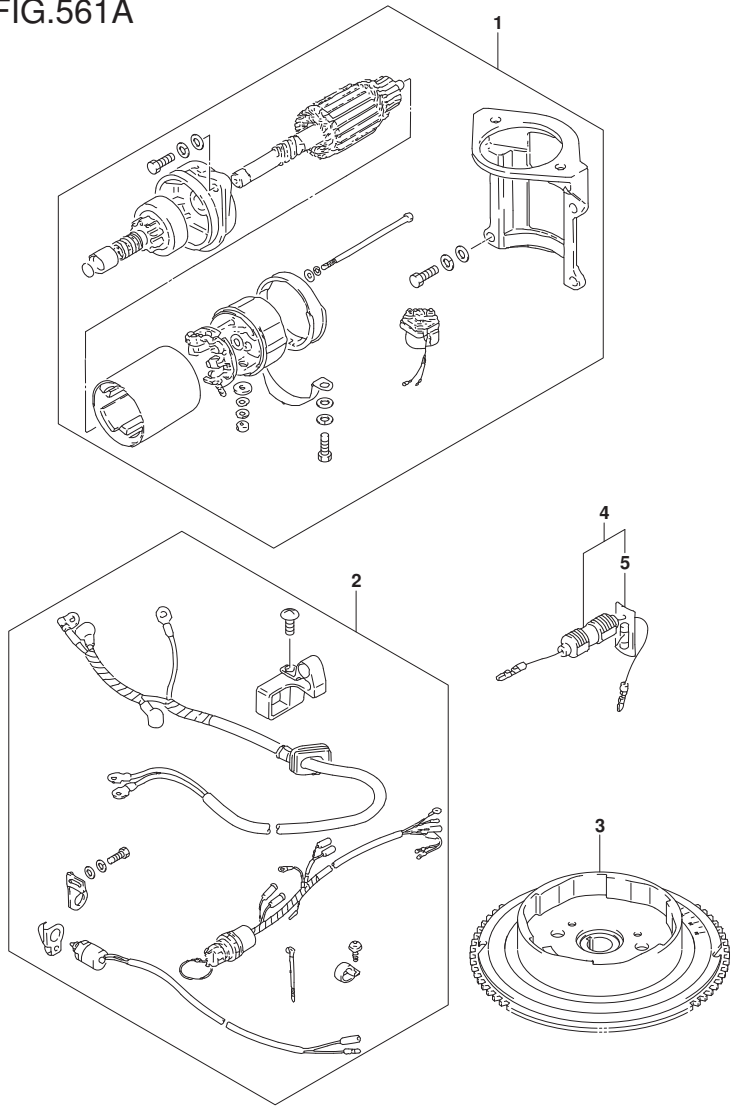


FIG.561A (1-G-12) OPT:STARTING MOTOR (MANUAL STARTER) (DT40W)

| REF NO. | PART NO. | DESCRIPTION | Q'TY | REMARKS |
|---------|-----------------|-----------------------------|------|---------|
| 1 | 31101-94402-0EP | MOTOR SET, STARTING (BLACK) | 1 | |
| 2 | 33800-94433 | CABLE/SWITCH SET, STARTING | 1 | |
| 3 | 32102-92L00 | FLYWHEEL | 1 | |
| 4 | 36740-93901 | CASE ASSY, FUSE | 1 | |
| 5 | 09481-20001 | .FUSE (20A) | 1 | |

DT40W P40
DT40W P90

FIG.570A

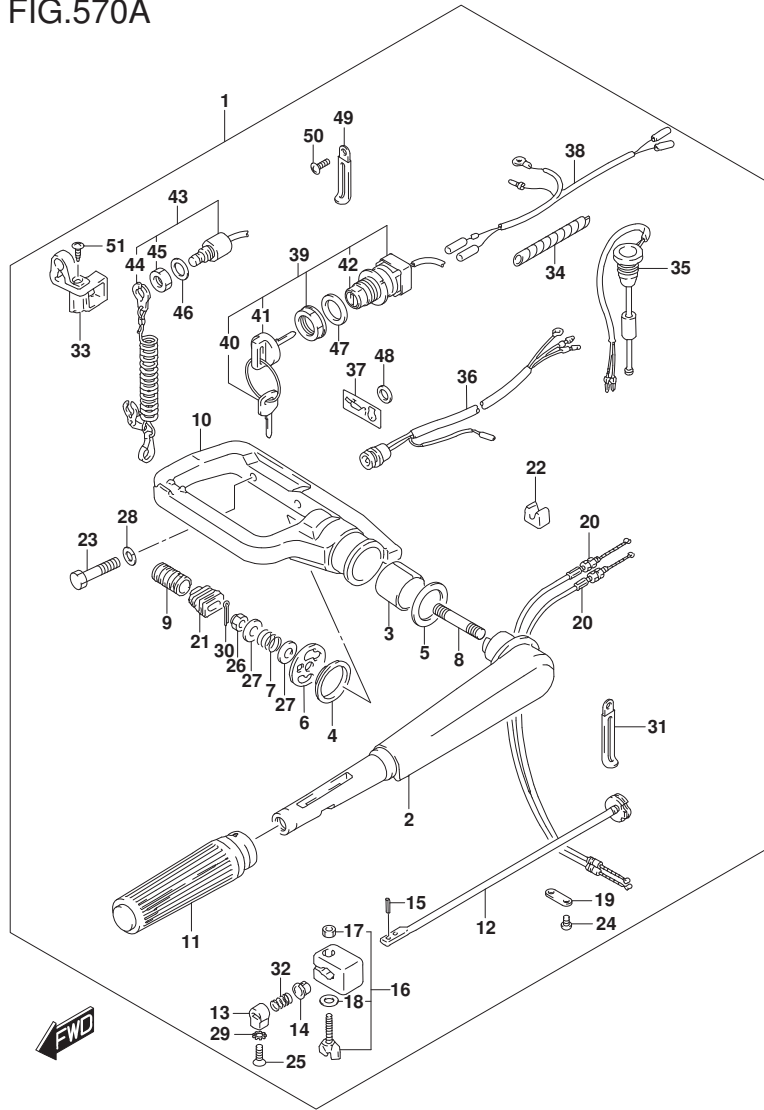


FIG.570A (1-G-13) OPT:TILLER HANDLE (DT40WR)

| REF NO. | PART NO. | DESCRIPTION | Q'TY | REMARKS |
|---------|-----------------|---------------------------------|------|---------|
| 1 | 63001-97E08-YAY | HANDLE ASSY, TILLER (BLACK) | 1 | |
| 2 | 63111-97E05-YAY | .HANDLE, TILLER (BLACK) | 1 | |
| 3 | 63115-97E00 | .BUSH, TILLER HANDLE | 1 | |
| 4 | 63116-97E00 | .WASHER, TILLER HANDLE NO.1 | 1 | |
| 5 | 63117-97E01 | .WASHER, TILLER HANDLE NO.2 | 1 | |
| 6 | 63125-97E01 | .PLATE, TILLER HANDLE | 1 | |
| 7 | 63126-97E01 | .SPRING, HANDLE STUD | 1 | |
| 8 | 09108-10137 | .STUD BOLT | 1 | |
| 9 | 63128-97E00 | .COVER, HANDLE NUT | 1 | |
| 10 | 63131-97E03-YAY | .BRACKET, TILLER HANDLE (BLACK) | 1 | |
| 11 | 63210-93E30 | .GRIP | 1 | |
| 12 | 63220-96302 | .ROD, HANDLE | 1 | |
| 13 | 63223-92D00 | .STOPPER, HANDLE ROD | 1 | |
| 14 | 63225-93200 | .BUSH, HANDLE ROD | 1 | |
| 15 | 63227-93200 | .PIN, HANDLE ROD | 1 | |
| 16 | 63240-97E20 | .ADJUSTER SET, HANDLE GRIP | 1 | |
| 17 | 09140-05005 | .NUT | 1 | |
| 18 | 09160-05029 | .WASHER (5.5X12X0.8) | 1 | |
| 19 | 63241-92D00 | .SUPPORT, HANDLE ROD | 1 | |
| 20 | 63610-92L00 | .CABLE ASSY, THROTTLE | 2 | |
| 21 | 63625-96300 | .GROMMET, THROTTLE CABLE | 1 | |
| 22 | 63627-94400 | .GUIDE, THROTTLE CABLE | 1 | |
| 23 | 09100-10155 | .BOLT (10X50) | 2 | |
| 24 | 09125-05046 | .SCREW (5X12) | 2 | |
| 25 | 09126-06015 | .SCREW (6X23) | 1 | |
| 26 | 09159-10050 | .NUT | 1 | |
| 27 | 09160-10082 | .WASHER (10.5X19X2) | 2 | |
| 28 | 09162-10005 | .LOCK WASHER | 2 | |
| 29 | 09163-06001 | .LOCK WASHER | 1 | |
| 30 | 09204-01002 | .PIN | 1 | |
| 31 | 29404-93J20 | .CLAMP, THROTTLE CABLE | 1 | |
| 32 | 09440-12027 | .SPRING | 1 | |
| 33 | 33816-96300 | .CLAMP, CABLE | 1 | |

FIG.570A

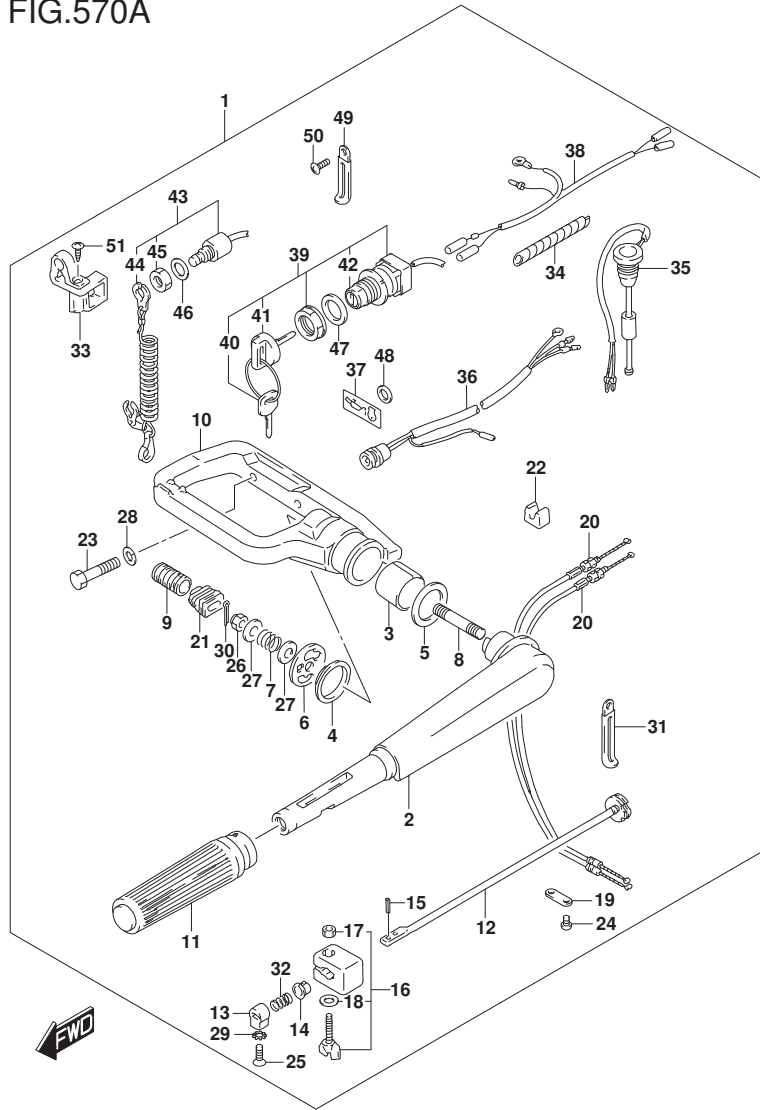


FIG.570A (1-G-14) OPT:TILLER HANDLE (DT40WR)

| REF NO. | PART NO. | DESCRIPTION | Q'TY | REMARKS |
|---------|-----------------|------------------------------|------|---------|
| 34 | 33833-91J00 | .TUBE, EMERGENCY SWITCH LEAD | 1 | |
| 35 | 34860-94402 | .SENSOR ASSY, OIL LEVEL | 1 | |
| 36 | 36360-94400 | .LAMP ASSY, OIL WARNING | 1 | |
| 37 | 36367-95D10-064 | .LABEL, OIL (WHITE) | 1 | |
| 38 | 36893-94410 | .WIRE ASSY, IGNITION SW EXT | 1 | |
| 39 | 37110-94471 | .SWITCH ASSY, IGNITION | 1 | |
| 40-1 | 37141-99E00 | ..KEY (931) | 1 | |
| 40-2 | 37141-99E10 | ..KEY (932) | 1 | |
| 40-3 | 37141-99E20 | ..KEY (933) | 1 | |
| 40-4 | 37141-99E30 | ..KEY (934) | 1 | |
| 40-5 | 37141-99E40 | ..KEY (935) | 1 | |
| 40-6 | 37141-99E50 | ..KEY (936) | 1 | |
| 40-7 | 37141-99E60 | ..KEY (937) | 1 | |
| 40-8 | 37141-99E70 | ..KEY (938) | 1 | |
| 40-9 | 37141-99E80 | ..KEY (939) | 1 | |
| 40-10 | 37141-99E90 | ..KEY (940) | 1 | |
| 40-11 | 37141-99EA0 | ..KEY (941) | 1 | |
| 40-12 | 37141-99EB0 | ..KEY (942) | 1 | |
| 41 | 37143-99E00 | ..CAP, KEY | 1 | |
| 42 | 37149-93J00 | ..CAP, CYLINDER BODY | 1 | |
| 43 | 37820-92E04 | .SWITCH ASSY, EMERGENCY | 1 | |
| 44 | 37823-92E01 | ..PLATE | 1 | |
| 45 | 37826-92J00 | ..NUT | 1 | |
| 46 | 09160-12067 | .WASHER (12.5X23X1) | 1 | |
| 47 | 09160-25069 | .WASHER (25X40X1.1) | 1 | |
| 48 | 09320-11004 | .CUSHION | 1 | |
| 49 | 29404-93J10 | .CLAMP, IGNITION SWITCH LEAD | 1 | |
| 50 | 02142-06127 | .SCREW | 1 | |
| 51 | 03241-0625A | .SCREW | 1 | |

DT40WR P40
DT40WR P90

| PART NO. | FIG.NO.-REF.NO. | PART NO. | FIG.NO.-REF.NO. | PART NO. | FIG.NO.-REF.NO. |
|-----------------|-----------------|-------------|-----------------|-------------|-----------------|
| 10000 | | | 116B-14 | | 128D-9 |
| | | 12232-92L20 | 116A-13 | 13269-95210 | 128A-4 |
| | | | 116B-13 | | 128C-4 |
| | | 12240-92L20 | 116A-15 | 13269-95520 | 128B-4 |
| | | | 116B-15 | 13269-98100 | 128D-30 |
| 11111-92L20 | 112A-3 | 13111-92L00 | 125A-3 | 13270-94350 | 128D-22 |
| 11111-92L30 | 112B-3 | 13111-92L10 | 125B-3 | 13271-93311 | 128A-3 |
| 11141-94450 | 112A-4 | 13125-95210 | 125A-4 | | 128B-3 |
| | 112B-4 | | 125B-4 | | 128C-3 |
| 11161-92L10 | 112A-1 | 13126-94450 | 128D-34 | 13279-90010 | 128B-22 |
| | 112B-1 | 13150-92L00 | 125A-6 | 13282-94350 | 128D-23 |
| 11162-92L00 | 112A-2 | | 125B-6 | 13294-28010 | 128B-23 |
| | 112B-2 | 13152-92L00 | 125A-8 | 13370-27310 | 128D-25 |
| 11281-94400 | 112A-19 | | 125B-8 | 13370-94350 | 128D-17 |
| | 112B-19 | 13153-92L00 | 125A-7 | 13370-97E20 | 128A-10 |
| 11291-94402 | 112A-7 | | 125B-7 | | 128B-10 |
| | 112B-7 | 13200-944D0 | 128D-1 | | 128C-10 |
| 11300-92L20 | 112A-9 | 13200-944J0 | 128A-1 | 13392-58600 | 128A-20 |
| | 112B-9 | | 128C-1 | | 128B-20 |
| 11411-92L10 | 130A-1 | 13200-944K0 | 128B-1 | | 128C-20 |
| | 130B-1 | 13235-94400 | 128A-6 | | 128D-18 |
| 11413-94411 | 130A-2 | | 128B-6 | 13415-94350 | 128D-14 |
| | 130B-2 | | 128C-6 | 13418-94360 | 128D-13 |
| 11431-92L00 | 141A-2 | 13236-94460 | 128D-32 | 13419-94400 | 128D-12 |
| | 141B-2 | 13237-94460 | 128D-33 | 13426-95211 | 128A-17 |
| 11433-92L00 | 141A-1 | 13245-94350 | 128D-10 | | 128B-17 |
| | 141B-1 | 13245-94400 | 128A-16 | | 128C-17 |
| 11434-92L00 | 141A-3 | | 128C-16 | 13441-94350 | 128D-20 |
| | 141B-3 | 13245-94410 | 128B-16 | 13443-94350 | 128D-4 |
| 11435-94400 | 405A-7 | 13249-93900 | 128D-6 | 13446-94360 | 128D-31 |
| | 405B-7 | 13250-93012 | 128A-7 | 13450-94350 | 128D-19 |
| 12100-94400-050 | 116A-24 | | 128B-7 | 13462-94351 | 128D-28 |
| | 116B-24 | | 128C-7 | 13464-96350 | 128A-12 |
| 12110-92L20-0B0 | 116B-1 | | 128D-26 | | 128B-12 |
| 12110-94400 | 116A-1 | 13251-95220 | 128A-8 | | 128C-12 |
| 12140-94400 | 116A-2 | | 128B-8 | | 128D-29 |
| 12140-94400-050 | 116A-25 | | 128C-8 | 13521-78100 | 128D-21 |
| | 116B-25 | 13254-98300 | 128A-9 | 13534-96300 | 128D-8 |
| 12140-94410 | 116B-2 | | 128B-9 | 13580-94400 | 128A-13 |
| 12151-94400 | 116A-3 | | 128C-9 | | 128B-13 |
| | 116B-3 | | 128D-27 | | 128C-13 |
| 12161-94400 | 116A-8 | 13254-98410 | 128D-24 | 13613-94300 | 128A-11 |
| | 116B-8 | 13265-94360 | 128D-16 | | 128C-11 |
| 12200-92L30 | 116A-7 | 13267-93900 | 128A-5 | 13613-94310 | 128B-11 |
| | 116B-7 | | 128B-5 | 13631-93501 | 128A-21 |
| 12211-94410 | 116A-11 | | 128C-5 | | 128B-24 |
| | 116B-11 | 13268-96111 | 128A-19 | | 128C-21 |
| 12221-92L20 | 116A-12 | | 128B-19 | | 128D-35 |
| | 116B-12 | | 128B-21 | 13651-95300 | 128D-5 |
| 12231-92L20 | 116A-14 | | 128C-19 | | 128D-7 |

| PART NO. | FIG.NO.-REF.NO. | PART NO. | FIG.NO.-REF.NO. | PART NO. | FIG.NO.-REF.NO. |
|-----------------|-----------------|-------------|-----------------|-------------|-----------------|
| 13811-92L10 | 125A-16 | 17410-92L00 | 160A-3 | 18100-92L10 | 167A-1 |
| | 125B-16 | | 160B-3 | 18120-96320 | 167A-2 |
| 13812-92L00 | 125A-17 | | 160C-3 | 18130-91L00 | 167A-3 |
| | 125B-17 | 17431-92L00 | 160A-1-3 | 18132-89L00 | 167A-7 |
| 13855-95210 | 125A-18 | | 160B-1-2 | 18142-96300 | 167A-4 |
| | 125B-18 | | 160C-1-3 | 18151-96310 | 167A-8 |
| 13910-94400 | 128A-24 | 17431-92L10 | 160A-1-1 | 18210-93002 | 167A-5 |
| | 128B-27 | | 160C-1-1 | 18280-96320 | 167A-6 |
| | 128C-24 | 17431-92L20 | 160A-1-2 | 18290-92L00 | 167A-9 |
| | 128D-38 | | 160B-1-1 | 18711-92L10 | 167A-10 |
| 14131-92L10 | 125A-13 | | 160C-1-2 | 18721-92L10 | 167A-11 |
| | 125B-13 | 17432-96300 | 160A-15 | 19121-94400 | 166A-1 |
| 14141-92L10 | 125A-14 | | 160B-15 | | 166B-1 |
| | 125B-14 | | 160C-15 | 19131-95502 | 166A-2 |
| 14151-92L00 | 125A-12 | 17461-96312 | 160A-9 | | 166B-2 |
| | 125B-12 | | 160B-9 | 19132-96300 | 166B-3 |
| 14211-92L20 | 141A-4-2 | | 160C-9 | 19135-94400 | 166A-3 |
| | 141B-4-2 | 17471-92L00 | 160A-10 | | 166B-4 |
| 14211-94451 | 141A-4-1 | | 160B-10 | 19136-94451 | 166B-5 |
| | 141B-4-1 | | 160C-10 | 19136-95510 | 166A-4 |
| 14212-94413 | 141A-5 | 17472-96303 | 160A-11 | 19522-94400 | 166A-8 |
| | 141B-5 | | 160B-11 | 19654-94421 | 166A-5 |
| 15100-94311 | 146A-1 | | 160C-11 | | 166B-6 |
| 15100-94460 | 146B-1 | 17561-92L50 | 160A-2-1 | 19811-94400 | 166A-9 |
| 15170-94320 | 146A-2 | | 160C-2-1 | | 166B-7 |
| 15170-94460 | 146B-2 | 17561-92L60 | 160A-2-2 | 19815-94400 | 166A-10 |
| 15183-94301 | 146A-3 | | 160B-2-1 | | 166B-8 |
| 15186-94300 | 146A-4 | | 160C-2-2 | 19851-94401 | 166A-6 |
| 15211-91J00-050 | 146B-17 | 17561-92L70 | 160A-2-3 | | 166B-9 |
| 15211-91J00-110 | 146A-10 | | 160B-2-2 | 19861-92L00 | 166A-7 |
| 15211-91J00-135 | 146A-11 | | 160C-2-3 | | 166B-10 |
| 15211-91J00-140 | 146B-18 | 17563-94400 | 160A-16 | | |
| 15211-91J00-400 | 146A-12 | | 160B-16 | | |
| 15251-94450 | 146B-3 | | 160C-16 | | |
| 15251-94470 | 146B-4 | 17565-94400 | 160A-17 | | |
| 15321-96300 | 146B-21 | | 160B-17 | | |
| 15321-99710 | 146A-6 | | 160C-17 | | |
| 15322-96300 | 146B-25 | 17566-94400 | 160A-18 | | |
| 15410-94350 | 146B-20 | | 160B-18 | | |
| 15410-94400 | 146A-7 | | 160C-18 | | |
| | 146B-10 | 17631-91L00 | 407A-4 | 21110-94402 | 201A-13 |
| 15413-87D10 | 146A-8 | | 407A-6 | | 201B-13 |
| | 146B-12 | 17635-87E00 | 407A-26 | 21121-92L00 | 201A-16 |
| 15430-87D10 | 146A-9 | 17670-93962 | 112A-18 | | 201B-16 |
| | 146B-11 | | 112B-18 | 21121-93300 | 201A-22 |
| | 146B-11 | 17670-94402 | 112B-18 | | 201B-22 |
| 15851-94300 | 146A-5 | 17681-92L10 | 112A-17 | | 420A-6 |
| 17400-92810 | 10AA-1 | | 112B-17 | 21131-96010 | 420A-6 |
| 17400-94412 | 10AA-2 | 17685-94410 | 10AA-3 | | 420B-6 |
| | 160A-19 | | 112A-16 | 22511-99011 | 336A-1 |
| | 160B-19 | | 112B-16 | | 336B-1 |

| PART NO. | FIG.NO.-REF.NO. | PART NO. | FIG.NO.-REF.NO. | PART NO. | FIG.NO.-REF.NO. |
|-------------|-----------------|-----------------|-----------------|-------------|-----------------|
| 23111-92L00 | 336C-1 | | 308C-3 | | 553A-9 |
| | 336D-1 | | 309A-5 | 32801-94402 | 553A-8 |
| | 201A-1 | | 319A-11 | 32890-94401 | 308A-13 |
| | 201B-1 | | 319C-1 | 32891-94401 | 308A-18 |
| 23131-92L00 | 201A-12 | | 554A-6 | 32900-92L20 | 308A-1 |
| | 201B-12 | | 570A-49 | | 308B-1 |
| 23211-94401 | 201A-21 | 29404-93J20 | 570A-31 | 32900-92L30 | 308C-1 |
| 23213-94400 | 201B-21 | | | 32916-92L10 | 308A-26 |
| | 201A-7 | | | | 308B-16 |
| 23311-95J00 | 201B-7 | | | | 308C-16 |
| | 201A-10 | | | 32919-92L00 | 308A-23 |
| 25111-92L50 | 201B-10 | | | | 308B-13 |
| | 201A-2-1 | | | | 308C-13 |
| 25111-92L60 | 201A-2-2 | | | 32950-92L00 | 308A-8 |
| 25111-92L70 | 201B-2-1 | | | | 308B-8 |
| | 201A-2-3 | 31100-94401 | 301A-1 | | 308C-8 |
| 25211-92L00 | 201B-2-2 | 31101-94402-0EP | 561A-1 | 33410-92L10 | 308A-24 |
| | 201A-3 | 31131-96300 | 301A-7 | | 308B-14 |
| 25212-94401 | 201B-3 | 31132-96300 | 301A-8 | | 308C-14 |
| | 201A-4 | 31135-89J00 | 301A-9 | 33510-95520 | 308A-6 |
| 25223-94400 | 201B-4 | 31173-89J00 | 301A-6 | | 308B-6 |
| | 201A-19 | 31281-93340 | 301A-10 | | 308C-6 |
| 25232-96302 | 201B-19 | 31310-96300 | 301A-2 | 33800-94433 | 561A-2 |
| | 201A-25 | 31312-96300 | 301A-4 | 33810-94411 | 319A-6 |
| 25311-94402 | 201B-25 | 31320-94400 | 301A-3 | | 319B-6 |
| | 201A-9 | 31360-96300 | 301A-5 | 33811-94400 | 412A-25 |
| 25700-88L00 | 201B-9 | 31800-94401 | 308A-20 | | 412B-25 |
| | 29125-93J00 | 407A-27 | 130A-4 | 33816-96300 | 319A-9 |
| 29125-93J10 | 554A-17 | 31912-92L00 | 301A-13 | | 570A-33 |
| | 335A-28 | 31918-94401 | 301A-14 | 33833-91J00 | 308A-4 |
| 29141-93J00 | 335B-29 | 32101-92L10 | 303A-1 | | 308B-4 |
| | 405A-18 | | 303B-1 | | 308B-17 |
| 29141-93J00 | 405B-18 | | 303C-1 | | 308C-4 |
| | 160A-4 | 32102-92L00 | 303A-16 | | 308C-17 |
| 29141-93J00 | 160B-4 | | 561A-3 | | 309A-11 |
| | 160C-4 | 32102-92L30 | 303B-16 | | 309B-5 |
| 29141-93J00 | 201A-11 | 32102-92L40 | 303C-16 | | 570A-34 |
| | 201B-11 | 32120-94420 | 303A-2 | 34100-93J20 | 501A-5-1 |
| 29162-93J00 | 454A-5 | | 303B-2 | 34100-93J31 | 501A-5-2 |
| | 513A-8 | | 303C-2 | 34100-93J40 | 501A-5-3 |
| 29162-93J00 | 513B-8 | 32140-94400 | 303A-5 | 34100-93J51 | 501A-5-4 |
| | 160A-5 | | 303B-5 | 34190-87D00 | 501A-12 |
| 29162-93J10 | 160B-5 | | 303C-5 | 34190-95500 | 501A-10 |
| | 160C-5 | 32150-94410 | 303A-6 | 34191-92E00 | 501A-7 |
| 29162-93J10 | 335A-17 | | 303B-6 | 34200-93J20 | 501A-13-1 |
| | 335B-17 | | 303C-6 | 34200-93J32 | 501A-13-2 |
| 29404-93J10 | 146A-14 | 32500-95722 | 550A-3 | 34300-93J00 | 501A-15-1 |
| | 146B-13 | | 554A-3 | 34300-93J11 | 501A-15-2 |
| 29404-93J10 | 308A-3 | 32800-95D01 | 319A-1 | 34310-92E00 | 501A-16 |
| | 308B-3 | | 319B-1 | 34360-92E00 | 501A-17 |

30000

| PART NO. | FIG.NO.-REF.NO. | PART NO. | FIG.NO.-REF.NO. | PART NO. | FIG.NO.-REF.NO. |
|-----------------|-----------------|-------------|-----------------|-----------------|-----------------|
| 34500-93J00 | 501A-3-1 | | 508A-4 | 37143-99E00 | 309A-3 |
| 34500-93J11 | 501A-3-2 | | 553A-12 | | 450A-6 |
| 34600-93J00 | 501A-1-1 | 37141-99E00 | 508A-2-3 | | 508A-6 |
| 34600-93J11 | 501A-1-2 | | 450A-5-1 | | 570A-41 |
| 34850-94610 | 554A-15 | | 508A-5-1 | 37149-93J00 | 309A-4 |
| 34853-94700 | 554A-16 | | 570A-40-1 | | 450A-7 |
| 34860-94402 | 570A-35 | 37141-99E10 | 309A-2-4 | | 508A-7 |
| 36360-94400 | 570A-36 | | 450A-5-2 | | 570A-42 |
| 36367-95D10-064 | 570A-37 | | 508A-5-2 | 37210-93J00 | 550A-9 |
| 36610-94411 | 309C-1 | | 570A-40-2 | | 554A-18 |
| 36612-94421 | 309C-2 | 37141-99E20 | 309A-2-5 | 37212-93J00 | 550A-10 |
| 36615-96300 | 501A-9 | | 450A-5-3 | | 554A-19 |
| 36620-87D20 | 550A-1-1 | | 508A-5-3 | 37721-94404 | 319A-15 |
| | 554A-1-1 | | 570A-40-3 | | 319B-13 |
| 36620-92E00 | 550A-6 | 37141-99E30 | 309A-2-6 | 37725-94302 | 319A-16 |
| | 554A-7 | | 450A-5-4 | | 319B-14 |
| 36620-92E20 | 450A-2 | | 508A-5-4 | 37726-94402 | 319A-17 |
| | 508A-2 | | 570A-40-4 | | 319B-15 |
| 36620-95302 | 550A-1-2 | 37141-99E40 | 309A-2-7 | 37820-92E04 | 450A-8 |
| | 554A-1-2 | | 450A-5-5 | | 508A-8 |
| 36628-92E00 | 450A-3 | | 508A-5-5 | | 570A-43 |
| | 508A-3 | | 570A-40-5 | 37823-92E01 | 450A-9 |
| 36630-92E00 | 550A-8 | 37141-99E50 | 309A-2-8 | | 508A-9 |
| | 554A-14 | | 450A-5-6 | | 570A-44 |
| 36631-94300 | 550A-2 | | 508A-5-6 | 37823-97J00 | 309A-8 |
| | 554A-2 | | 570A-40-6 | | 309B-2 |
| 36634-93910 | 553A-4 | 37141-99E60 | 309A-2-9 | 37826-92J00 | 450A-10 |
| 36740-93901 | 319A-4 | | 450A-5-7 | | 508A-10 |
| | 319B-4 | | 508A-5-7 | | 570A-45 |
| | 561A-4 | | 570A-40-7 | 37826-97J00 | 309A-9 |
| 36740-95253 | 553A-10 | 37141-99E70 | 309A-2-10 | | 309B-3 |
| 36791-94504 | 319B-10 | | 450A-5-8 | 37830-92L02 | 309A-7 |
| 36893-94410 | 570A-38 | | 508A-5-8 | | 309B-1 |
| 36894-94401 | 405A-17 | | 570A-40-8 | 37835-91J00-YAY | 309B-6 |
| | 405B-17 | 37141-99E80 | 309A-2-11 | 37859-90J00 | 450A-49 |
| 36894-95201 | 335A-27 | | 450A-5-9 | | 508A-49 |
| | 335B-28 | | 508A-5-9 | 37864-94J10 | 450A-50 |
| | 405A-2 | | 570A-40-9 | | 508A-50 |
| | 405B-2 | 37141-99E90 | 309A-2-12 | 38500-92X50 | 450A-12 |
| 36895-94400 | 319A-19 | | 450A-5-10 | | 508A-12 |
| | 319B-17 | | 508A-5-10 | 38501-95500 | 554A-9 |
| | 319C-4 | | 570A-40-10 | 38600-94400 | 309C-4 |
| 36899-92L00 | 319A-13 | 37141-99EA0 | 309A-2-1 | | 554A-11 |
| | 319C-3 | | 450A-5-11 | 39600-93910 | 553A-1 |
| 36990-87D00 | 550A-7 | | 508A-5-11 | 39601-95D00 | 553A-3 |
| | 553A-16 | | 570A-40-11 | 39602-93900 | 553A-5 |
| | 554A-8 | 37141-99EB0 | 309A-2-2 | 39603-94400 | 553A-6 |
| 37110-94471 | 309A-1 | | 450A-5-12 | 39669-94400 | 412A-28-1 |
| | 570A-39 | | 508A-5-12 | | 412A-28-2 |
| 37110-99E01 | 450A-4 | | 570A-40-12 | | 412B-28 |

| PART NO. | FIG.NO.-REF.NO. | PART NO. | FIG.NO.-REF.NO. | PART NO. | FIG.NO.-REF.NO. |
|-----------------|-----------------|-----------------|-----------------|-----------------|-----------------|
| | 412C-25 | | 336B-24 | | 336B-29 |
| | | | 336C-27 | | 336B-37 |
| | | 43711-97E01 | 336D-27 | | 336C-32 |
| | | | 336A-4 | | 336D-32 |
| | | | 336B-4 | | 336D-40 |
| | | | 336C-4 | | |
| | | | 336D-4 | | |
| 40000 | | 43750-92L20-YAY | 336A-5 | 50000 | |
| | | | 336B-5 | | |
| | | | 336C-5 | | |
| 41111-92L10-YAY | 335A-1 | | 336D-5 | 52110-92L30-YAY | 405A-6-1 |
| | 335B-1 | 43755-97E01 | 336C-23 | 52110-92L40-YAY | 405A-6-3 |
| 41121-92L10-YAY | 335A-2 | | 336D-23 | | 405B-6-2 |
| | 335B-2 | 45231-92L00 | 336A-11 | 52110-92L50-YAY | 405A-6-2 |
| 41130-92L00 | 335A-9 | | 336B-11 | | 405B-6-1 |
| | 335B-9 | | 336C-11 | 54121-94402 | 141A-7 |
| 41141-94301 | 335A-29 | | 336D-11 | | 141B-7 |
| | 335B-30 | 45241-92L00 | 336A-12 | 54125-94400 | 141A-8 |
| 41151-94500 | 335A-7 | | 336B-12 | | 141B-8 |
| | 335B-7 | | 336C-12 | 54130-92L00 | 141A-12 |
| 41161-94400 | 335B-20 | | 336D-12 | | 141B-12 |
| 41200-92L00 | 335A-19 | 45250-92L00 | 336A-13 | 54137-92L10 | 141A-9 |
| | 335B-19 | | 336B-13 | | 141B-9 |
| 41211-94302 | 335A-5 | | 336C-13 | 54146-94400 | 141A-10 |
| | 335B-5 | | 336D-13 | | 141B-10 |
| 41212-91LL0-YAY | 335A-3 | 45255-93001 | 336A-14 | 54151-99E00 | 405A-8 |
| | 335B-3 | | 336B-14 | | 405B-8 |
| 41213-94J01 | 335A-6 | | 336C-14 | 54160-92L00 | 405A-12-2 |
| | 335B-6 | | 336D-14 | | 405B-12-2 |
| 41225-94400 | 335A-26 | 45255-95500 | 336A-33 | 54160-94410 | 405A-12-1 |
| | 335B-27 | | 336B-28 | | 405B-12-1 |
| 41225-94502 | 336A-10 | | 336B-41 | 54165-94401 | 405A-13 |
| | 336B-10 | | 336C-36 | | 405B-13 |
| | 336C-10 | | 336D-31 | 54211-92L00-YAY | 405A-9 |
| | 336D-10 | | 336D-44 | | 405B-9 |
| 41311-92L00 | 335A-13 | 45261-92L00 | 336A-15 | 54221-92L10-YAY | 405A-10 |
| | 335B-13 | | 336B-15 | | 405B-10 |
| 43111-92L10-YAY | 336A-2 | | 336C-15 | 55100-92L20-YAY | 407A-1 |
| | 336B-2 | | 336D-15 | 55122-88L00 | 407A-8 |
| | 336C-2 | 45331-94610 | 336A-37 | 55125-92L00 | 407A-9 |
| | 336D-2 | | 336B-45 | 55181-95200 | 407A-25 |
| 43211-87JL0 | 336A-3 | | 336C-40 | 55300-95500 | 407A-24 |
| | 336B-3 | | 336D-48 | 56120-92L10-YAY | 220A-24 |
| | 336C-3 | 45420-92L00 | 335A-11 | | 220B-24 |
| | 336D-3 | | 335B-11 | 56130-92L20-YAY | 160A-12 |
| 43411-97E00 | 336A-23 | 45700-92L00 | 336A-28 | | 160B-12 |
| | 336B-23 | | 336B-36 | | 160C-12 |
| | 336C-26 | | 336C-31 | 57110-92L50 | 220A-1-3 |
| | 336D-26 | | 336D-39 | | 220B-1-2 |
| 43412-93900 | 336A-24 | 45713-92L00 | 336A-29 | 57110-92L60 | 220A-1-1 |

| PART NO. | FIG.NO.-REF.NO. | PART NO. | FIG.NO.-REF.NO. | PART NO. | FIG.NO.-REF.NO. |
|-----------------|-----------------|-----------------|-----------------|-----------------|-----------------|
| 57110-92L70 | 220A-1-2 | | 412B-4 | | 444B-7 |
| | 220B-1-1 | | 412C-4 | | 570A-7 |
| 57130-94301 | 220A-2 | 61138-944L0 | 412A-23 | 63128-97E00 | 444A-8 |
| | 220B-2 | | 412B-23 | | 444B-8 |
| 57133-88L01 | 220A-6 | | 412C-23 | | 570A-9 |
| | 220B-6 | 61155-94400 | 412A-22 | 63131-92L10-YAY | 444A-9 |
| 57133-92L00 | 220A-7 | | 412B-22 | | 444B-9 |
| | 220B-7 | | 412C-22 | 63131-97E03-YAY | 570A-10 |
| 57311-94410 | 220A-8 | 61400-92L01-YAY | 420A-1 | 63210-93E30 | 444A-10 |
| | 220B-8 | | 420B-1 | | 444B-10 |
| 57510-94410 | 220A-11 | 61431-92L00-YAY | 420A-2 | | 570A-11 |
| | 220B-11 | | 420B-2 | 63215-93401 | 444A-32 |
| 57521-94401 | 220A-21 | 61435-92L10 | 420A-5 | 63215-93450 | 444B-32 |
| | 220B-21 | | 420B-5 | 63220-91L00 | 444A-11 |
| 57610-92L10 | 220A-19 | 61443-91L10 | 420A-9 | | 444B-11 |
| | 220B-19 | | 420B-9 | 63220-96302 | 570A-12 |
| 57621-92L10 | 220A-15 | 61449-95L00 | 420B-12 | 63223-89E00 | 444B-12 |
| | 220B-15 | 61453-91L10 | 420A-10 | 63223-92D00 | 444A-12 |
| 57630-92L01 | 407A-17 | | 420B-10 | | 570A-13 |
| 57631-95303 | 220A-13 | 61458-89L00 | 420A-7 | 63225-93200 | 444A-13 |
| | 220B-13 | | 420B-7 | | 444B-13 |
| 57632-92L00 | 407A-16 | 61472-94J00 | 167A-20 | | 570A-14 |
| 57633-94301 | 407A-18 | 61610-90L00 | 412A-15 | 63225-94J00 | 444A-18 |
| 57634-88L00 | 220A-14 | | 412B-15 | | 444B-18 |
| | 220B-14 | | 412C-15 | 63227-93200 | 570A-15 |
| 58100-88L13-019 | 407A-22-1 | 61616-93E00 | 412A-16 | 63240-94J10 | 444A-15 |
| 58100-88L23-019 | 407A-22-2 | | 412B-16 | | 444B-15 |
| 58100-88L52-019 | 407A-22-5 | | 412C-16 | 63240-97E20 | 570A-16 |
| 58100-88L62-019 | 407A-22-6 | 61622-95500 | 420A-3 | 63241-92D00 | 570A-19 |
| 58100-88LA0-019 | 407A-22-3 | | 420B-3 | 63241-986B0 | 444A-16 |
| 58100-88LB0-019 | 407A-22-4 | 61642-90L00 | 412A-17 | | 444B-16 |
| 58120-88L01 | 407A-23 | | 412B-17 | 63244-94J00 | 444A-17 |
| 59412-91J00 | 146B-26 | | 412C-17 | | 444B-17 |
| 59800-90L10 | 420A-11 | 63001-97E08-YAY | 570A-1 | 63610-92L00 | 444A-20 |
| | 420B-11 | 63111-92L00-YAY | 444A-2 | | 444B-20 |
| | | | 444B-2 | | 570A-20 |
| | | 63111-97E05-YAY | 570A-2 | 63625-94300 | 412B-29 |
| | | 63115-97E00 | 444A-3 | 63625-96300 | 444A-21 |
| | | | 444B-3 | | 444B-21 |
| | | | 570A-3 | | 570A-21 |
| 61111-92L20-YAY | 412A-1 | 63116-97E00 | 444A-4 | 63627-94400 | 444A-22 |
| | 412B-1 | | 444B-4 | | 444B-22 |
| | 412C-1 | | 570A-4 | | 570A-22 |
| 61112-94412 | 412A-2 | 63117-97E01 | 444A-5 | 65000-95D01 | 432A-1 |
| | 412B-2 | | 444B-5 | | 432B-1 |
| | 412C-2 | | 570A-5 | 65000-99100 | 432C-1 |
| 61113-92L00 | 412A-3 | 63125-97E01 | 444A-6 | 65318-93910 | 432B-20 |
| | 412B-3 | | 444B-6 | 65520-95D01 | 432A-2 |
| | 412C-3 | | 570A-6 | | 432B-2 |
| 61131-92L00-QGF | 412A-4 | 63126-97E01 | 444A-7 | 65520-99100 | 432C-2 |

| PART NO. | FIG.NO.-REF.NO. | PART NO. | FIG.NO.-REF.NO. | PART NO. | FIG.NO.-REF.NO. |
|-------------|----------------------------|-------------|------------------------------|-------------|-------------------------------|
| 65561-95D00 | 432A-3 432B-3 432C-3 | 67212-95600 | 508A-1 450A-13 508A-13 | 67284-94L00 | 508A-51 450A-52 508A-52 |
| 65700-87DL0 | 432A-8 | 67214-92E00 | 450A-14 | 67292-94300 | 450A-38 |
| 65700-94417 | 432C-13 | | 508A-14 | | 508A-38 |
| 65700-94424 | 432B-13 | 67220-95620 | 450A-15 | 67294-95600 | 450A-39 |
| 65700-95D05 | 432C-8 | | 508A-15 | | 508A-39 |
| 65700-96362 | 432B-8 | 67223-99E10 | 450A-16 | | 513A-15 |
| 65720-955L0 | 146B-14 | | 508A-16 | | 513B-10 |
| 65720-985L1 | 146B-5 | 67229-95600 | 450A-17 | 67296-90J10 | 450A-40 |
| | 432A-13 | | 508A-17 | | 508A-40 |
| 65740-95D01 | 432A-4 432B-4 | 67232-95600 | 450A-18 508A-18 | 67296-94300 | 450A-41 508A-41 |
| 65740-99100 | 432C-7 | 67238-87D00 | 450A-19 | 67296-94310 | 450A-33 |
| 65750-95500 | 432A-9 432B-9 | | 508A-19 | | 508A-33 |
| | 432C-9 | 67241-99E10 | 450A-20 | 67296-95600 | 450A-42 |
| | 432C-14 | | 508A-20 | | 508A-42 |
| 65750-98505 | 432A-10 | 67243-95600 | 450A-21 | 67296-95610 | 450A-43 |
| | 432B-10 | 67244-95600 | 450A-22 | 67296-95621 | 513A-16 |
| | 432B-14 | | 508A-22 | | 513B-11 |
| | 432C-10 | 67245-95600 | 450A-23 | 67297-95600 | 450A-44 |
| 65770-87DL0 | 432A-11 | | 508A-23 | | 508A-44 |
| 65770-90J12 | 432C-15 | 67251-99E20 | 450A-24 | 67320-93J00 | 513A-17-1 |
| 65770-99J02 | 432C-11 | | 508A-24 | | 513B-12-1 |
| 65779-93900 | 432B-11 | 67252-95600 | 450A-25 | 67320-93J10 | 513A-17-2 |
| | 432B-15 | | 508A-25 | | 513B-12-2 |
| 65781-98500 | 432A-12 | 67253-95600 | 450A-26 | 67320-93J20 | 513A-17-3 |
| | 432B-12 | | 508A-26 | | 513B-12-3 |
| | 432B-16 | 67255-99E10 | 450A-27 | 67320-93J30 | 513A-17-4 |
| | 432C-12 | | 508A-27 | | 513B-12-4 |
| 65830-95500 | 432C-16 | 67256-95600 | 450A-28 | 67320-93J40 | 513A-17-5 |
| | 432B-17 | | 508A-28 | | 513B-12-5 |
| | 432C-17 | 67257-99E10 | 450A-29 | 67320-93J50 | 513A-17-6 |
| 65831-95D00 | 432A-5 | | 508A-29 | | 513B-12-6 |
| | 432B-5 | 67258-99E00 | 450A-30 | 67320-93J60 | 513A-17-7 |
| | 432C-4 | | 508A-30 | | 513B-12-7 |
| 65842-94401 | 432B-18 | 67259-87D00 | 450A-31 | 67320-93J70 | 513A-17-8 |
| | 432C-18 | | 508A-31 | | 513B-12-8 |
| 65890-95D00 | 432A-6 | 67261-99E10 | 450A-32 | 67320-93J80 | 513A-17-9 |
| | 432B-6 | | 508A-32 | | 513B-12-9 |
| 65890-99100 | 432C-5 | 67264-95600 | 450A-34 | 67331-94400 | 454A-1 |
| 65892-95D00 | 432A-7 | | 508A-34 | | 513A-2 |
| | 432B-7 | 67267-93J00 | 450A-35 | | 513B-2 |
| | 432C-6 | | 508A-35 | 67341-94400 | 454A-6 |
| 67130-94812 | 513A-1 | 67273-95600 | 450A-36 | | 513A-3 |
| | 513B-1 | | 508A-36 | | 513B-3 |
| 67140-95600 | 513A-14 | 67275-95600 | 450A-37 | 67466-95200 | 454A-2 |
| | 513B-9 | | 508A-37 | | 513A-5 |
| 67200-97E50 | 450A-1 | 67282-94L00 | 450A-51 | | 513B-5 |

| PART NO. | FIG.NO.-REF.NO. | PART NO. | FIG.NO.-REF.NO. | PART NO. | FIG.NO.-REF.NO. |
|-----------------|------------------------------|-------------|---|----------------------------|--|
| 67467-94404 | 454A-3 513A-6 513B-6 | 01411-0820A | 125A-5 125B-5 128D-3 | | 319B-16 130A-6 303A-14 |
| 67701-94430 | 442A-1 513A-9 | 01547-06407 | 146A-15 201A-17 | | 303B-14 303C-14 |
| | 442A-2 | 01550-05167 | 201B-17 | 02112-04087 | 303A-12 |
| 67721-94310 | 513A-10 | | 308A-2 | | 303B-12 |
| 67725-99E20 | 442A-3 513A-11 | 01550-06127 | 308A-9 308A-14 | 02112-05087 | 303C-12 |
| 67726-99E00 | 442A-4 513A-12 | | 308B-2 | 02112-05107 | 554A-10 |
| | 442A-5 | | 308B-9 | | 303A-7 |
| 67728-99E00 | 513A-13 | | 308C-2 | | 303A-10 |
| 68110-87L01 | 420A-12 420B-13 | | 308C-9 | | 303B-7 |
| | 420A-8 | 01550-0612C | 309B-4 | | 303B-10 |
| 68111-91L00 | 420B-8 167A-17 167A-18 | | 166A-14 166A-16 166B-14 | 02112-05167 | 303C-10 554A-12 128A-14 |
| 69711-93E10 | 167A-17 | | 201A-8 | | 128B-14 |
| 69712-93E10 | 167A-18 | | 201B-8 | | 128C-14 |
| 69911-91J50 | 420A-14 420B-15 | 01550-06167 | 319A-14 319B-9 | 02112-06257 | 303A-3 303B-3 |
| | | 01550-0620C | 308A-25 308B-15 | | 303C-3 |
| | | | 308C-15 | 02112-3306A | 125A-9 125B-9 |
| | | 01550-0625C | 167A-16 | 02112-35127 | 309C-5 |
| | | 01550-0630C | 112A-6 112A-21 112B-6 112B-21 | 02122-06167 | 125A-10 125B-10 319A-2 319B-2 |
| | | | 125A-1 | | 553A-13 |
| 77811-54GB0-0PG | 450A-11 508A-11 | | 125A-11 125B-1 125B-11 146B-22 | 02142-05307 02142-06127 | 166A-15 309A-6 319A-12 319C-2 |
| | | 01550-06407 | 112A-13 | | 570A-50 |
| | | | 112B-13 | 02142-06167 | 319A-8 |
| | | 01550-08257 | 130A-5 | | 319A-20 |
| | | | 301A-15 | | 319B-8 |
| | | 01550-08357 | 112A-8 112B-8 | | 319C-5 |
| | | | 167A-15 | 02162-06127 | 550A-4 |
| 99000-81159-50M | 167A-19 | | 112A-11 | | 554A-4 |
| 99011-92LC0-063 | 420A-13 | 01550-10557 | 112B-11 | 03112-0630B | 501A-11 |
| 99011-92LD0-063 | 420B-14 | | 112A-14 112B-14 | 03142-04309 | 407A-5 |
| | | 01560-06457 | 112B-14 | 03212-0512B | 308A-19 |
| | | | 112B-14 | 03222-0520B | 125A-21 |
| | | 01560-08757 | 112A-5 112B-5 | | 125B-21 319A-10 |
| | | | 112A-12 112B-12 | 03241-0625A | 570A-51 |
| | | 01560-10657 | 319A-18 | 03542-06169 | 420A-4 |
| | | | | | 420B-4 |

| PART NO. | FIG.NO.-REF.NO. | PART NO. | FIG.NO.-REF.NO. | PART NO. | FIG.NO.-REF.NO. |
|-------------|-----------------|-------------|-----------------|-------------|-----------------|
| 04211-09109 | 112A-10 | 08331-3115A | 201A-18 | | 412A-20 |
| | 112B-10 | | 201B-18 | | 412B-13 |
| 08211-20263 | 220A-12 | 08341-31059 | 303A-18 | | 412B-20 |
| | 220B-12 | | 303B-18 | | 412C-13 |
| 08211-35451 | 220A-22-6 | | 303C-18 | | 412C-20 |
| | 220B-22-6 | 09100-08232 | 450A-45 | 09116-06228 | 141A-19 |
| 08221-35455 | 220A-22-1 | | 508A-45 | | 141B-19 |
| | 220B-22-1 | 09100-08309 | 336A-25 | 09116-06232 | 412A-5 |
| 08221-35456 | 220A-22-4 | | 336B-25 | | 412B-5 |
| | 220B-22-4 | | 336C-28 | | 412C-5 |
| 08310-00057 | 319A-3 | | 336D-28 | 09116-06234 | 141A-6 |
| | 319B-3 | 09100-08311 | 335A-14 | | 141B-6 |
| | 553A-14 | | 335B-14 | 09116-06237 | 513A-4 |
| 08310-00067 | 301A-11 | 09100-10155 | 570A-23 | | 513B-4 |
| | 308A-21 | 09100-10316 | 336C-24 | 09116-06513 | 125A-20 |
| | 412A-21 | | 336D-24 | | 125B-20 |
| | 412B-21 | 09100-10317 | 444A-23 | 09116-08147 | 407A-10 |
| | 412C-21 | | 444B-23 | 09116-08151 | 220A-28 |
| 08316-10087 | 125A-2 | 09100-10321 | 141A-13 | | 220B-28 |
| | 125B-2 | | 141B-13 | 09116-08152 | 335A-8 |
| | 146A-16 | 09100-12123 | 405A-19 | | 335B-8 |
| | 146B-23 | | 405B-19 | 09116-08153 | 405A-11 |
| 08321-01047 | 303A-13 | 09108-06060 | 160A-6 | | 405B-11 |
| | 303A-15 | | 160B-6 | 09116-08155 | 141A-21 |
| | 303B-13 | | 160C-6 | | 141B-21 |
| | 303B-15 | 09108-06061 | 160A-7 | | 407A-13 |
| | 303C-13 | | 160B-7 | 09117-06030 | 336A-31 |
| | 303C-15 | | 160C-7 | | 336B-39 |
| 08321-0105A | 128A-15 | 09108-10137 | 444A-1 | | 336C-34 |
| | 128B-15 | | 444B-1 | | 336D-42 |
| | 128C-15 | | 570A-8 | 09118-08168 | 405A-5 |
| | 303A-9 | 09111-10045 | 336A-30 | | 405B-5 |
| | 303A-11 | | 336B-38 | 09118-08171 | 405A-4 |
| | 303B-9 | | 336C-33 | | 405B-4 |
| | 303B-11 | | 336D-41 | 09118-08172 | 405A-3 |
| | 303C-9 | 09111-10067 | 335A-20 | | 405B-3 |
| | 303C-11 | | 335B-21 | 09119-06047 | 454A-4 |
| | 553A-15 | | 336B-30 | | 513A-7 |
| | 554A-13 | | 336D-33 | | 513B-7 |
| 08321-01067 | 301A-12 | 09111-10069 | 335A-21 | 09125-05046 | 407A-7 |
| | 303A-4 | | 335B-22 | | 570A-24 |
| | 303B-4 | 09116-06223 | 412A-14 | 09125-05129 | 412A-6 |
| | 303C-4 | | 412B-14 | | 412B-6 |
| | 308A-22 | | 412C-14 | | 412C-6 |
| | 550A-5 | 09116-06225 | 336B-31 | 09126-05003 | 450A-46 |
| | 554A-5 | | 336D-34 | | 508A-46 |
| 08322-01057 | 303A-8 | | 454A-7 | 09126-06005 | 112A-20 |
| | 303B-8 | 09116-06227 | 166A-11 | | 112B-20 |
| | 303C-8 | | 166B-11 | 09126-06015 | 444A-25 |
| 08322-0106C | 319B-11 | | 412A-13 | | 444B-25 |

| PART NO. | FIG.NO.-REF.NO. | PART NO. | FIG.NO.-REF.NO. | PART NO. | FIG.NO.-REF.NO. |
|-----------------|-----------------|-------------|-----------------|-------------|-----------------|
| | 570A-25 | | 336C-37 | | 405B-14 |
| 09126-06022 | 130A-3 | | 336D-35 | 09160-16054 | 407A-19 |
| | 130B-3 | | 336D-45 | 09160-18011 | 303A-19 |
| 09136-05041 | 444A-24 | | 412A-8 | | 303B-19 |
| | 444B-24 | | 412B-8 | | 303C-19 |
| 09138-05011 | 303A-17 | | 412C-8 | 09160-22018 | 220A-20-1 |
| | 303B-17 | | 570A-18 | | 220B-20-1 |
| | 303C-17 | 09160-06084 | 166A-13 | 09160-22019 | 220A-20-2 |
| 09140-04007 | 128A-23 | | 166B-13 | | 220B-20-2 |
| | 128B-26 | | 308A-10 | 09160-22020 | 220A-20-3 |
| | 128C-23 | | 308A-15 | | 220B-20-3 |
| | 128D-36 | | 308B-10 | 09160-22021 | 220A-20-4 |
| 09140-05005 | 166A-12 | | 308C-10 | | 220B-20-4 |
| | 166B-12 | 09160-06104 | 412A-10 | 09160-22022 | 220A-20-5 |
| | 570A-17 | | 412B-10 | | 220B-20-5 |
| 09140-06020 | 450A-47 | | 412C-10 | 09160-22023 | 220A-20-6 |
| | 508A-47 | | 450A-48 | | 220B-20-6 |
| 09140-08023-XC0 | 335A-15 | | 508A-48 | 09160-22033 | 335A-10 |
| | 335B-15 | 09160-08081 | 335A-16 | | 335B-10 |
| 09140-10031 | 335A-22 | | 335B-16 | 09160-25069 | 309A-10 |
| | 335B-23 | 09160-08091 | 336A-16 | | 570A-47 |
| 09140-10032 | 146B-24 | | 336A-26 | 09160-27008 | 116A-10 |
| | 432A-14 | | 336B-16 | | 116B-10 |
| 09140-12034 | 220A-9 | | 336B-26 | 09160-39001 | 336A-6 |
| | 220B-9 | | 336C-16 | | 336B-6 |
| 09140-12038 | 146B-15 | | 336C-29 | | 336C-6 |
| 09140-18014 | 303A-20 | | 336D-16 | | 336D-6 |
| | 303B-20 | | 336D-29 | 09161-04012 | 412A-18 |
| | 303C-20 | 09160-08124 | 167A-14 | | 412B-18 |
| 09141-16008 | 407A-20 | 09160-10080 | 141A-20 | | 412C-18 |
| 09148-06008 | 444A-19 | | 141B-20 | 09162-10005 | 335A-23 |
| | 444B-19 | 09160-10082 | 141A-15 | | 335B-24 |
| 09148-06017 | 412A-9 | | 141B-15 | | 336C-25 |
| | 412B-9 | | 335A-24 | | 336D-25 |
| | 412C-9 | | 335B-25 | | 444A-28 |
| 09159-05042 | 412A-7 | | 444A-27 | | 444B-28 |
| | 412B-7 | | 444B-27 | | 570A-28 |
| | 412C-7 | | 570A-27 | 09163-06001 | 444A-29 |
| 09159-10050 | 141A-16 | 09160-10148 | 141A-14 | | 444B-29 |
| | 141B-16 | | 141B-14 | | 570A-29 |
| | 444A-26 | 09160-12007 | 308A-11 | 09168-10022 | 10AA-4 |
| | 444B-26 | | 308A-16 | | 407A-12 |
| | 570A-26 | | 308B-11 | 09169-20007 | 116A-6 |
| 09159-12014 | 405A-15 | | 308C-11 | | 116B-6 |
| | 405B-15 | 09160-12066 | 405A-16 | 09180-06254 | 125A-19 |
| 09159-22006 | 335A-18 | | 405B-16 | | 125B-19 |
| | 335B-18 | 09160-12067 | 570A-46 | 09180-06295 | 412A-11 |
| 09160-05029 | 336A-34 | 09160-12108 | 405A-20 | | 412B-11 |
| | 336B-32 | | 405B-20 | | 412C-11 |
| | 336B-42 | 09160-13018 | 405A-14 | 09180-08169 | 167A-12 |

| PART NO. | FIG.NO.-REF.NO. | PART NO. | FIG.NO.-REF.NO. | PART NO. | FIG.NO.-REF.NO. |
|-------------|--|---|---|---|---|
| 09181-30186 | 220A-10-1 220B-10-1 | 09202-05022 | 220A-16 220B-16 | 09260-10005 | 201A-14 201B-14 |
| 09181-30187 | 220A-10-2 220B-10-2 | 09202-06025 09202-06027 | 407A-15 407A-14 | 09262-30068 | 116A-16 116B-16 |
| 09181-30188 | 220A-10-3 220B-10-3 | 09202-06031 | 405A-1 405B-1 | 09262-35070 | 220A-25 220B-25 |
| 09181-30190 | 220A-10-4 220B-10-4 | 09202-07001 | 141A-11 141B-11 | 09262-35L09 | 116A-17 116B-17 |
| 09181-30192 | 220A-10-5 220B-10-5 | 09204-01002 | 336A-19 336A-35 | 09263-20072 | 116A-5 116B-5 |
| 09181-33001 | 220A-4-2 220B-4-2 | | 336B-19 336B-33 | 09263-22020 | 220A-26 220B-26 |
| 09181-33002 | 220A-4-3 220B-4-3 | | 336B-43 336C-19 | 09263-22039 09263-27005 | 407A-2 116A-9 |
| 09181-33003 | 220A-4-4 220B-4-4 | | 336C-38 336D-19 | 09263-27008 09264-35005 | 116B-9 116A-18 |
| 09181-33004 | 220A-4-5 220B-4-5 | | 336D-36 336D-46 | 09265-20015 | 116B-18 160A-14 |
| 09181-33005 | 220A-4-6 220B-4-6 | | 444A-31 444B-31 | | 160B-14 160C-14 |
| 09181-33006 | 220A-4-7 220B-4-7 | | 570A-30 10AA-5 | | 220A-5 220B-5 |
| 09181-33007 | 220A-4-8 220B-4-8 | 09204-03003 09205-02004 | 407A-21 201A-23 | 09265-30004 09280-08005 | 407A-3 201A-20 |
| 09181-33008 | 220A-4-9 220B-4-9 | | 201B-23 201A-6 | 09280-11001 | 201B-20 201A-24 |
| 09181-33009 | 220A-4-10 220B-4-10 | | 201B-6 220A-3 | 09280-50008 | 201B-24 141A-17 |
| 09181-35101 | 220A-4-1 220B-4-1 | 09205-03019 09205-03021 | 220B-3 201A-5 | | 141B-17 125A-15 |
| 09181-35110 | 220A-4-11 220B-4-11 | | 201B-5 444A-14 | 09280-63001 | 125B-15 220A-23 |
| 09181-35131 | 220A-22-2 220B-22-2 | 09205-03038 09205-06011 | 444B-14 112A-15 | 09280-75001 09282-17009 | 220B-23 141A-18 |
| 09181-35132 | 220A-22-3 220B-22-3 | | 112B-15 335A-4 | | 141B-18 160A-13 |
| 09181-35136 | 220A-22-5 220B-22-5 | 09205-06021 09205-08002 | 335B-4 336A-36 | 09282-17L01 | 160B-13 160C-13 |
| 09181-39001 | 336A-7 336B-7 336C-7 336D-7 | | 336B-34 336B-44 336C-39 336D-37 | 09282-39001 | 336A-8 336B-8 336C-8 336D-8 |
| 09200-05015 | 336A-17 336B-17 336C-17 336D-17 | | 336D-47 407A-11 319B-12 | 09283-30062 | 116A-20 116B-20 116A-21 |
| 09200-08043 | 336A-18 336B-18 336C-18 336D-18 | 09248-10008 09250-09001 09250-12006 09250-16008 09250-33001 | 412A-27 412B-27 412B-30 412A-29 412C-26 | 09283-35L01 09289-22L01 09289-45L01 | 116B-21 220A-27 220B-27 116A-19 116B-19 |

| PART NO. | FIG.NO.-REF.NO. | PART NO. | FIG.NO.-REF.NO. | PART NO. | FIG.NO.-REF.NO. |
|---|---|----------------------------|---|---|---|
| 09306-22006 | 336A-20 336B-20 336C-20 336D-20 | | 308C-5 309C-3 450A-53 501A-8 | 09407-12402 09407-14407 09407-25402 | 10AA-6 308A-7 308B-7 308C-7 |
| 09320-04009 | 128A-22 128B-25 128C-22 128D-37 | | 412A-26 412B-26 553A-2 160A-8 | 09407-25402 09420-04006 | 09482-00532 09491-38007 128A-18 128B-18 128C-18 128D-11 |
| 09320-10035 | 412A-12 412B-12 412C-12 | | 160B-8 160C-8 201A-15 | | 09492-65002 09492-67004 128B-2 |
| 09320-11004 09320-12011 | 570A-48 308A-12 308A-17 308B-12 | | 201B-15 220A-18 220B-18 336A-27 | 09440-07078 09440-08043 09440-11022 | 128C-2 09492-75001 128D-15 336B-27 |
| 09320-12059 09352-50903-600 | 167A-13 412A-24 412B-24 412C-24 | | 336C-30 336D-30 444A-30 444B-30 | | 336C-30 336D-30 444A-30 444B-30 |
| 09352-70113-600 09355-50108-135 09355-50108-260 09355-50108-370 09380-38003 | 146B-16 146B-7 146B-8 146B-6 336A-9 336B-9 | | 570A-32 220A-17 220B-17 335A-12 335B-12 | 09440-40002 09441-17002 09443-12039 | 336B-9 336C-9 336D-9 116A-4 116B-4 336A-32 336B-35 336B-40 336C-35 336D-38 |
| 09381-20003 | 116B-4 412A-19 412B-19 412C-19 | | 336D-43 336A-21 336B-21 336C-21 | | 336D-38 336D-43 336A-21 336B-21 336C-21 |
| 09385-04003 | 412A-19 412B-19 412C-19 | 09443-15031 | 336A-21 336B-21 336C-21 | | 336D-21 336D-21 336D-21 |
| 09390-72008 | 116A-22 116B-22 | | 336D-21 335A-25 335B-26 | | 336D-21 336D-21 336D-21 |
| 09390-80002 | 116A-23 116B-23 | 09448-29009 09448-29018 | 335A-25 335B-26 336A-22 336B-22 | | 336C-22 336D-22 336D-22 |
| 09401-08413 | 146A-13 146B-19 146B-9 | | 336A-22 336B-22 336C-22 | | 336D-22 336D-22 336D-22 |
| 09401-10412 | 432B-19 432C-19 | 09471-12028 | 501A-6 501A-14 | | 501A-6 501A-14 501A-2 501A-4 |
| 09403-10312 | 303A-21 303B-21 303C-21 | 09471-12103 | 501A-2 501A-4 501A-18 | | 501A-2 501A-4 501A-18 |
| 09403-14204 | 319A-7 319B-7 | 09481-20001 | 319A-5 319B-5 553A-11 561A-5 | | 319A-7 319B-7 319B-5 553A-11 561A-5 |
| 09407-10403 09407-10404 | 553A-7 308A-5 308B-5 | | | | |

SUZUKI **DT40W** PARTS CATALOGUE

SUZUKI MOTOR CORPORATION All rights reserved

No part of this document may be reproduced or transmitted in any form or by any means, electronic or mechanical, for any purpose, without the express written permission of Suzuki Motor Corporation.

SUZUKI MOTOR CORPORATION

Service Material Development Group, Service Engineering Department
300 Takatsuka, Minami, Hamamatsu, Japan

Copyright © SUZUKI MOTOR CORPORATION 2017 All Rights Reserved

SUZUKI MOTOR CORPORATION